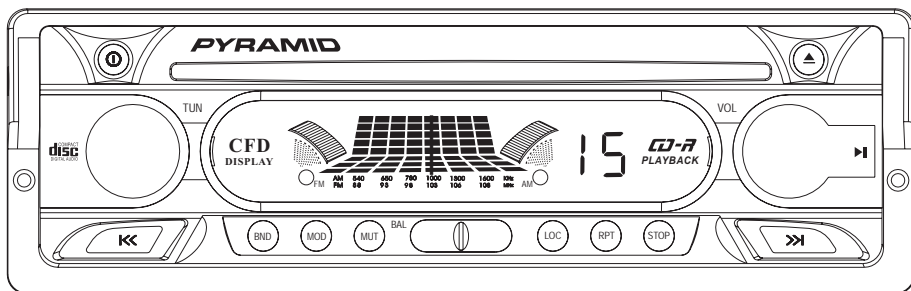


# **PYRAMID**

CDR22KIT

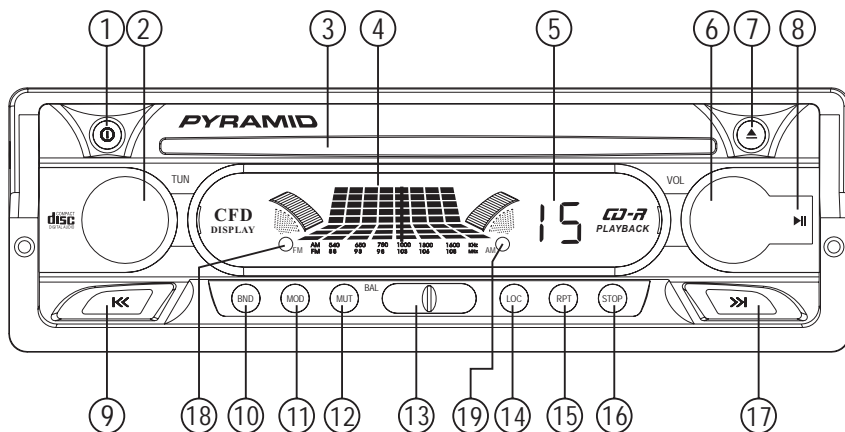
## INSTRUCTION MANUAL



**AUTO-LOADING COMPACT DISC PLAYER  
WITH AM/FM TUNING RADIO**

**WWW.PYRAMIDCARAUDIO.COM**

# LOCATION AND FUNCTION OF CONTROLS



## 1. POWER BUTTON

Press it to turn on or off the unit.

## 2. TUNING KNOB

Rotate it to select your desired broadcasting station.

## 3. CD COMPARTMENT

## 4. FREQUENCY COUNTER

By the pointer, the display shows the frequency of the broadcasting station being received.

## 5. LED DISPLAY

This is to show the track no. of CD.

## 6. VOLUME CONTROL

Rotate it to increase or decrease the volume level.

## 7. EJECT BUTTON

Press it to eject the CD DISC.

## 8. ▷|| (CD PLAY, PAUSE) BUTTON

At tuner mode, press ▷|| button to switch to CD mode. At CD mode, press it to pause the CD playing and press it again to resume CD playback.

## 9.17. TRACK UP/DOWN BUTTONS

a. During CD mode, press »| button to allow you to track forward.

Hold the »| button to allow you to skip forward.

b. During CD mode, press «| button to allow you to track backward.

Hold the «| button to allow you to skip backward.

## 10. BAND BUTTON

Press it to select your desired radio band AM or FM.

## 11. MODE BUTTON

Press it in between CD or radio function.

## 12. MUTE BUTTON

Press it to reduce the volume level immediately.

## 13. BALANCE BUTTON

Slide it to get you desired sound balance between left channel and right channel.

## 14. LOC BUTTON

Press it to select distance reception or local reception. Local control is no effect at AM BAND

### 15.RPT BUTTON

During CD mode, press RPT button to repeat a single track.

### 16.STOP BUTTON

Press it for stop CD playing.

### 18.FM LIGHT

The frequency in the FM station ,the FM light be lighted.

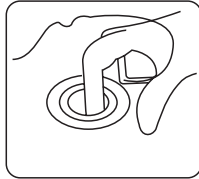
### 19.AM LIGHT

The frequency in the AM station ,the AM light be lighted.

# DISC PLAY:

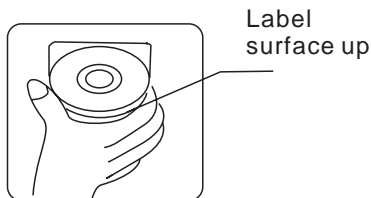
## Cleaning discs

Before playing ,clean the disc with a clean, lint-free,  
Flip the disc in the direction of the arrow.



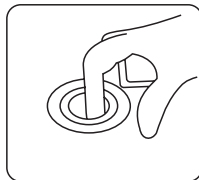
## Note:

- Do not use so solvents such as benzine, thinners, commercially available cleaners or anti static spray damage the unit:  
insert a disc with the label surface down, Doing so may damage the unit.



## Note:

- Do not try to insert another disc when one has been already inserted.  
Doing so may damage the unit.
- Handle the disc by its edge. And to keep the disc clean do not touch the surface.



- Do not stick paper or tape on the disc..

Do not expose the disc to direct sunlight or heat sources such as hot air  
Ducts. or leave it in a car parked in direct sunlight where there can be a

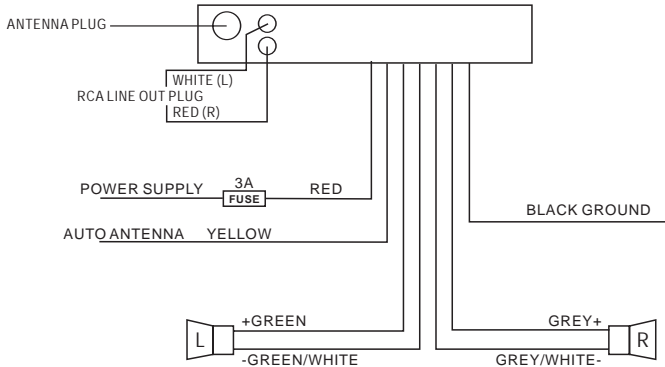
# TROUBLE SHOOTING

Before going through the check list, wiring connection, should any of the problem persist after check list has been made , consult your nearest service dealer.

| <b>Symptom</b>                   | <b>Cause</b>  | <b>Solution</b>   |
|----------------------------------|---|---|
| No power                         | The car ignition is not on.                                   | If the power supply is properly connected to the car accessory switch the ignition key to "ACC" |
|                                  | The fuse is blown   | Replace the fuse  |
| Disc cannot be loaded or ejected | Presence of CD disc inside the player                         | Remove the disc in the player then put a new upward   |
|                                  | Inserting the disc in upside down                             | Insert the compact disc with the label facing upward  |
|                                  | Compact disc is extremely dirty or defective                  | Clean the disc or try to play a new one   |
|                                  | Temperature inside the car is to high                         | Cool off until the ambient temperature returns to normal  |
|                                  | Condensation  | Leave the player off for an hour or so ,then try again  |
| No sound                         | Volume is in minimum  | Adjust volume to a desired level  |
|                                  | Wiring is not properly connected                              | Check wiring connection   |
| Sound skips                      | The installation angle is more than 30 degrees                | Adjust the installation angle to less than 30 degrees   |
|                                  | The disc is extremely dirty or defective                      | Clean the compact disc/try to play a new one  |
| The radio does not work          | The antenna cable is not connected<br>the signals are to weak | Insert the antenna cable firmly<br><br>Select a station manually                                |

# SPEAKER CONNECTION

Speaker connection



**NOTE:**

In spite of having any kinds of speaker system ,must use 4 ohms impedance of speaker to reduce the distortion during high volume level.

## SPECIFICATION

### GENERAL

Power requirement-----DC 13.8V negative ground

Current consumption-----3A MAX.

Maximum output power-----1 50 Watts

### FM SECTION

Frequency range-----88MHz-108MHz

Usable sensitivity-----10uV.

IF Frequency-----10.7MHz

### AM SECTION

Frequency range-----540KHz-1600KHz

### LINE -OUT

Output-----250mV @FM10%THD POWER.

Impedance-----600ohm.

### CD PLAYER

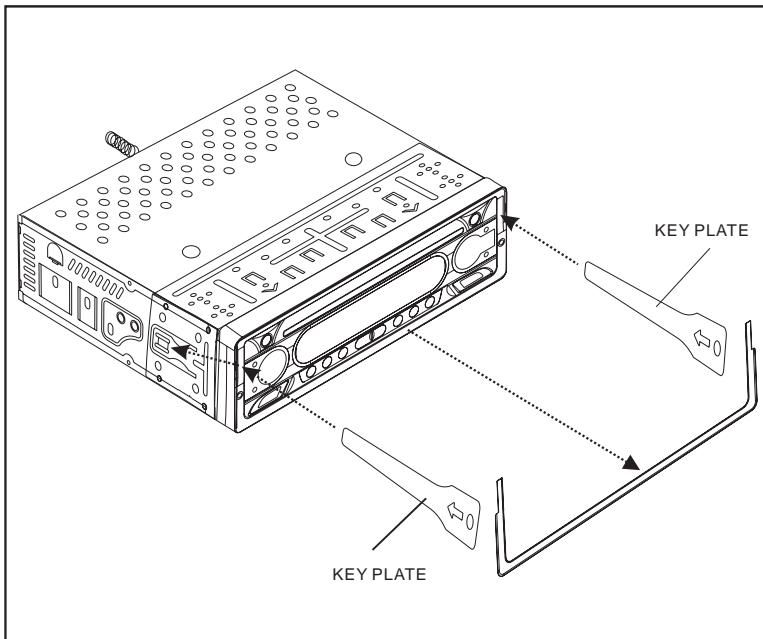
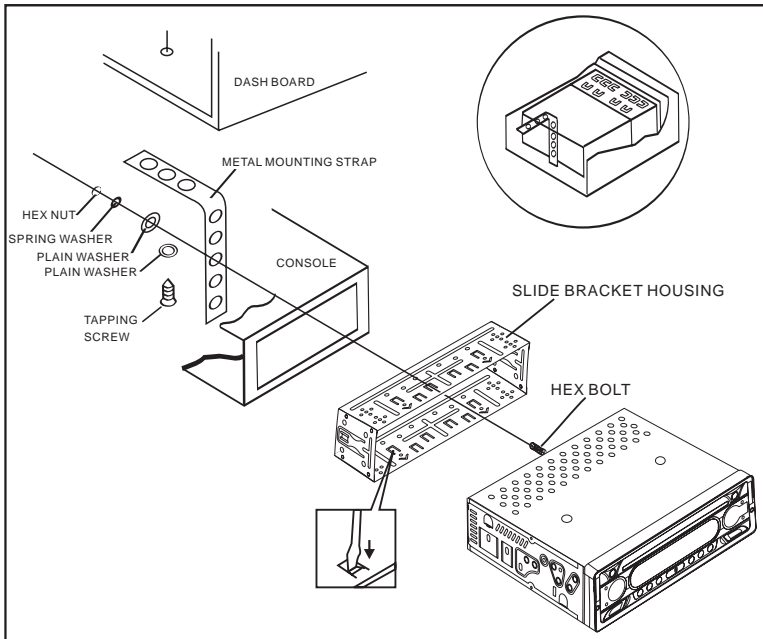
System-----compact disc audio system.

Usable disc-----compact disc.

Signal to noise radio -----70dB[1KHz] [IEC-A net work].

Chassis dimensions-----183[W]X53[H]X160[D].

# INSTALLATION





## Free Manuals Download Website

<http://myh66.com>

<http://usermanuals.us>

<http://www.somanuals.com>

<http://www.4manuals.cc>

<http://www.manual-lib.com>

<http://www.404manual.com>

<http://www.luxmanual.com>

<http://aubethermostatmanual.com>

Golf course search by state

<http://golfingnear.com>

Email search by domain

<http://emailbydomain.com>

Auto manuals search

<http://auto.somanuals.com>

TV manuals search

<http://tv.somanuals.com>