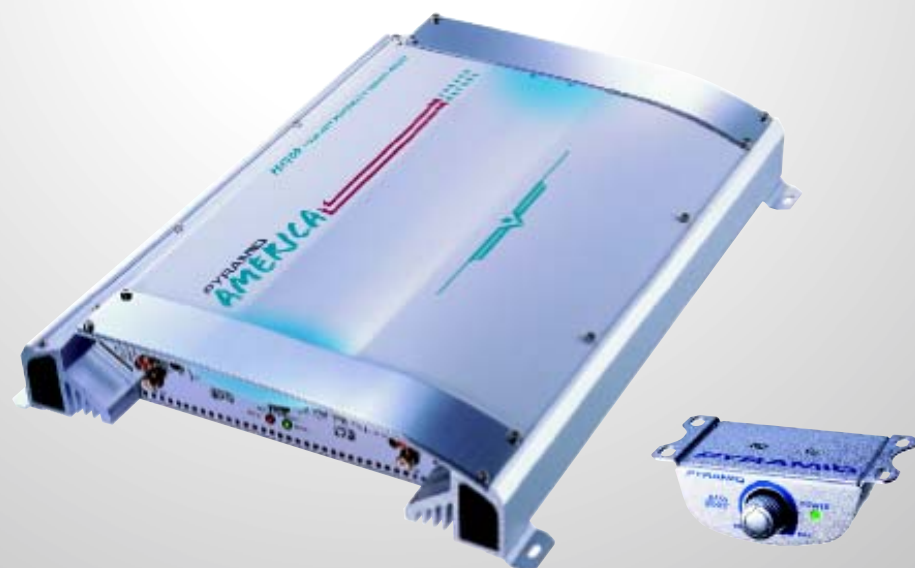


PYRAMID

AMERICA



PB 700
PB 1000
PB 1100
PB 1500
PB 2600

**Two Channel High
Performance Power Amplifier**

PB 1200
PB 1700
PB 2200
PB 2700

**Four Channel High
Performance Power Amplifier**

USER'S MANUAL

www.pyramidcaraudio.com

The image features a large, light gray watermark of the word "PYRAMID" in a bold, sans-serif font. The watermark is positioned behind the main text and is partially obscured by the word "congratulations...".

PYRAMID

congratulations...

on your purchase of a Pyramid America Series amplifier. This amplifier extends the Pyramid tradition into a totally new series of amps, designed from the ground up to deliver the power, performance and flexibility the modern car audio enthusiast demands.

When you check the list of features offered by the PB 700, PB 1000, PB 1100, PB 1200, PB 1500, PB 1700, PB 2200, PB 2600, PB 2700, you'll know you made the right choice with a Pyramid Power amplifier.

PYRAMID

table of contents

general features	2-4	high level input connections	
features and specifications		PB 1200/PB 1700/PB 2200/PB 2700	16
PB 700/PB 1000/PB 1100		mono input connections	
PB 1500/PB 2600	5-7	PB 1200/PB 1700/PB 2200/PB 2700	17
PB 1200/PB 1700		high level mono input connections	
PB 2200/PB 2700	8-10	PB 1200/PB 1700/PB 2200/PB 2700	18
electrical connections		speaker connections	
PB 700/PB 1000/PB 1100		PB 700/PB 1000/PB 1100/PB 1500/PB 2600	19
PB 1500/PB 2600	11	PB 1200/PB 1700/PB 2200/PB 2700	20
PB 1200/PB 1700			
PB 2200/PB 2700	12	speaker connections	
stereo input connections		PB 1200/PB 1700/PB 2200/PB 2700	21
PB 700/PB 1000/PB 1100			
PB 1500/PB 2600	13	mounting and installation	22
mono input connections		protection circuitry and troubleshooting	23
PB 700/PB 1000/PB 1100		precautions	24
PB 1500/PB 2600	14		
2/4 channel input connections			
PB 1200/PB 1700	15		
PB 2200/PB 2700			

PYRAMID

general features

PB 700

**High Performance 700 Watt 2 Channel
Bridgeable MOSFET Amplifier**

- 350 Watts x 2 Output
- 700W x 1 Bridged Output
- Variable Hi/Lo Electronic Crossover Network
- Variable Bass Boost (0 - +18 dB @ 60Hz)
- Variable Input Level (Gain) Control
- Remote Turn On/Off
- Gold Plated RCA Inputs
- High Level MOLEX Inputs
- Power ON LED Indicator
- LED Protection Indicator
- Remote Bass Boost
- S/N Ratio: > 95 dB
- THD: <0.04%
- Thermal Protection
- Overload Protection
- Short Circuit Protection
- Anti-Thump Turn-On

PB 1000

**High Performance 1000 Watt 2 Channel
Bridgeable MOSFET Amplifier**

- 500 Watts x 2 Output
- 1000W x 1 Bridged Output
- Variable Hi/Lo Electronic Crossover Network
- Variable Bass Boost (0 - +18 dB @ 60Hz)
- Variable Input Level (Gain) Control
- Remote Turn On/Off
- Gold Plated RCA Inputs
- High Level MOLEX Inputs
- Power ON LED Indicator
- LED Protection Indicator
- Remote Bass Boost
- S/N Ratio: > 95 dB
- THD: <0.04%
- Thermal Protection
- Overload Protection
- Short Circuit Protection
- Anti-Thump Turn-On

PB-1100

**High Performance 1100 Watt 2 Channel
Bridgeable MOSFET Amplifier**

- 550 Watts x 2 Output
- 1100W x 1 Bridged Output
- Variable Hi/Lo Electronic Crossover Network
- Variable Bass Boost (0 - +18 dB @ 60Hz)
- Variable Input Level (Gain) Control
- Remote Turn On/Off
- Gold Plated RCA Inputs
- High Level MOLEX Inputs
- Power ON LED Indicator
- LED Protection Indicator
- Remote Bass Boost
- S/N Ratio: > 95 dB
- THD: <0.04%
- Thermal Protection
- Overload Protection
- Short Circuit Protection
- Anti-Thump Turn-On

PYRAMID

general features

PB 1200

**High Performance 1200 Watt 4 Channel
Bridgeable MOSFET Amplifier**

- 300 Watts x 4 Output
- 600W x 2 Bridged Output (300W x 2+600W x 1)
- Dual Variable Hi/Lo Electronic Crossover Network
- Dual Variable Bass Boost (0 - +18 dB @ 60Hz)
- Variable Input Level (Gain) Control
- Remote Turn On/Off
- Gold Plated RCA Inputs
- High Level MOLEX Inputs
- Power ON LED Indicator
- LED Protection Indicator
- Remote Bass Boost
- S/N Ratio: > 95 dB
- THD: <0.04%
- Thermal Protection
- Overload Protection
- Short Circuit Protection
- Anti-Thump Turn-On
- Tri-Mode Configurable

PB 1500

**High Performance 1500 Watt 2 Channel
Bridgeable MOSFET Amplifier**

- 750 Watts x 2 Output
- 1500 Watts x 1 Bridged Output
- Variable Hi/Lo Electronic Crossover Network
- Variable Bass Boost (0 - +18 dB @ 60Hz)
- Variable Input Level (Gain) Control
- Remote Turn On/Off
- Gold Plated RCA Inputs
- High Level MOLEX Input
- Power ON LED Indicator
- LED Protection Indicator
- Remote Bass Boost
- S/N Ratio: > 95 dB
- THD: <0.04%
- Thermal Protection
- Overload Protection
- Short Circuit Protection
- Anti-Thump Turn-On

PB 1700

**High Performance 1700 Watt 4 Channel
Bridgeable MOSFET Amplifier**

- 425 Watts x 4 Output
- 850 Watts x 2 Bridged Output(425Wx2+850Wx1)
- Dual Variable Hi/Lo Electronic Crossover Network
- Dual Variable Bass Boost (0 - +18 dB @ 60Hz)
- Variable Input Level (Gain) Control
- Remote Turn On/Off
- Gold Plated RCA Inputs
- High Level MOLEX Input
- Power ON LED Indicator
- LED Protection Indicator
- Remote Bass Boost
- S/N Ratio: > 95 dB
- THD: <0.04%
- Thermal Protection
- Overload Protection
- Short Circuit Protection
- Anti-Thump Turn-On
- Tri-Mode Configurable

PYRAMID

general features

PB 2200

**High Performance 2200 Watt 4 Channel
Bridgeable MOSFET Amplifier**

- 550 Watts x 4 Output
- 1100 Watts x 2 Bridged Output(550Wx2+1100Wx1)
- Dual Variable Hi/Lo Electronic Crossover Network
- Dual Variable Bass Boost (0 - +18 dB @ 60Hz)
- Variable Input Level (Gain) Control
- Remote Turn On/Off
- Gold Plated RCA Inputs
- High Level MOLEX Input
- Power ON LED Indicator
- LED Protection Indicator
- Remote Bass Boost
- S/N Ratio: > 95 dB
- THD: <0.04%
- Thermal Protection
- Overload Protection
- Short Circuit Protection
- Anti-Thump Turn-On
- Tri-Mode Configurable

PB 2600

**High Performance 2600 Watt 2 Channel
Bridgeable MOSFET Amplifier**

- 1300 Watts x 2 Output
- 2600W x 1 Bridged Output
- Variable Hi/Lo Electronic Crossover Network
- Variable Bass Boost (0 - +18 dB @ 60Hz)
- Variable Input Level (Gain) Control
- Remote Turn On/Off
- Gold Plated RCA Inputs
- High Level MOLEX Inputs
- Power ON LED Indicator
- LED Protection Indicator
- Remote Bass Boost
- S/N Ratio: > 95 dB
- THD: <0.04%
- Thermal Protection
- Overload Protection
- Short Circuit Protection
- Anti-Thump Turn-On

PB 2700

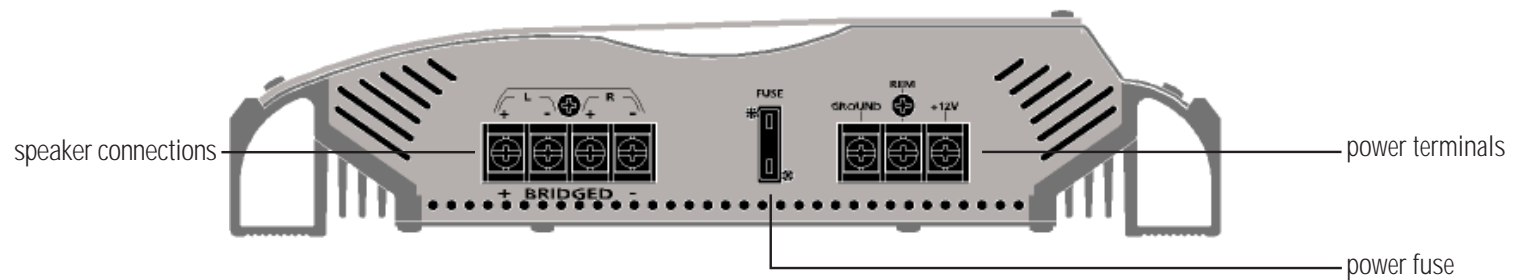
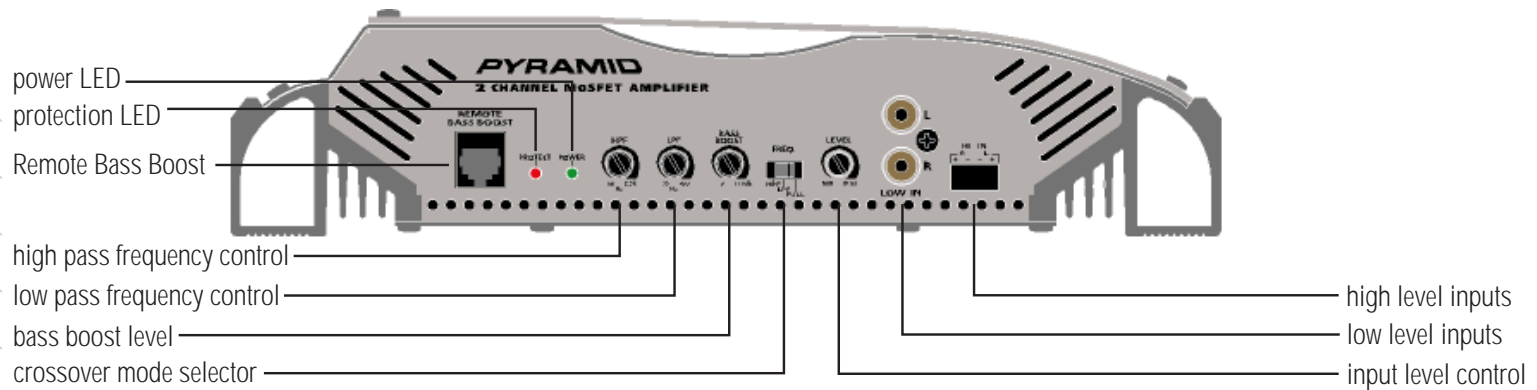
**High Performance 2700 Watt 4 Channel
Bridgeable MOSFET Amplifier**

- 675 Watts x 4 Output
- 1350W x 2 Bridged Output(675Wx2+1350Wx1)
- Dual Variable Hi/Lo Electronic Crossover Network
- Dual Variable Bass Boost (0 - +18 dB @ 60Hz)
- Variable Input Level (Gain) Control
- Remote Turn On/Off
- Gold Plated RCA Inputs
- High Level MOLEX Inputs
- Power ON LED Indicator
- LED Protection Indicator
- Remote Bass Boost
- S/N Ratio: > 95 dB
- THD: <0.04%
- Thermal Protection
- Overload Protection
- Short Circuit Protection
- Anti-Thump Turn-On
- Tri-Mode Configurable

PYRAMID features and controls

2 ch amp PB 700 • PB 1000 • PB 1100 • PB 1500 • PB 2600

pb 700
pb 1000
pb 1100
pb 1500
pb 2600



PYRAMID

features and specifications

2 ch amp PB 700 • PB1000 • PB1100

crossover mode selector	when used with normal, full range systems, set this switch to "FULL." If you wish to use the internal crossover to power a driver of specific frequency range, use the "LOWPASS" or "HIGHPASS" settings.
input level control	use this control to match the outputs of your head unit to the amplifier. Starting with your head unit set at about the 2 o'clock position, increase the amp level control until distortion begins to occur, and reduce slightly from this point.
low pass frequency control	when the crossover selector switch is in "low pass" mode, this control sets the upper frequency limit for audio program sent to the speakers.
high pass frequency control	when the crossover selector switch is in "high pass" mode, this control sets the lower frequency limit for audio program sent to the speakers.
Remote Bass Boost	Plug in the Remote Bass Boost Control wire in here.
bass boost level control	this control permits adjustment of the bass level up to an increase of approximately 18 dB.
low level inputs	this amp features gold-plated RCA input jacks for high impedance input. Use these with car stereo output which uses RCA-type connector cables.
high level inputs	if your car stereo lacks RCA-type output jacks, you may connect speaker output leads to these input connectors.
power LED	this indicator is illuminated when power is applied.
protection LED	this indicator is illuminated when built-in protection circuitry is activated.
power fuse	the fuse protects the amplifier and your car's electrical system from short circuit conditions.
power terminals	use these connectors to deliver power, ground and remote turn-on control to the amplifier.
speaker connections	these terminals are 14K gold plated to guarantee high conductivity and minimum signal loss.

output power @ 14.4v DC, 1KHz

RMS Power @ 4 Ohms	40 Watts x 2	50 Watts x 2	50 Watts x 2
RMS Power @ 2 Ohms	60 Watts x 2	70 Watts x 2	75 Watts x 2
Maximum Power Output	350 Watts x 2	500 Watts x 2	550 Watts x 2

frequency response ————— 15 Hz-30 KHz —————

input impedance
low level inputs ————— 10K Ohms —————
high level inputs ————— 100 Ohms —————

input sensitivity
low level inputs ————— 250mV —————
high level inputs ————— 2.5V —————

power supply voltage ——— 14.4V DC Neg. Ground (10.5-16V) ———

matching speaker impedance
stereo mode ————— 2-4 Ohms —————
bridged mode ————— 4-8 Ohms —————

maximum current draw 15A 15A 15A

dimensions (W x H x L)
mm 271 x 60 x 175 271 x 60 x 190 271 x 60 x 210
inches 10.7 x 2.4 x 6.9 10.7 x 2.4 x 7.5 10.7 x 2.4 x 8.3

PYRAMID

features and specifications

2 ch amp PB1500 • PB 2600

- crossover mode selectors** when used with normal, full range systems, set these switches to "FULL." If you wish to use the internal crossovers to power a driver of specific frequency range, use the "LOWPASS" or "HIGHPASS" settings.
- input level controls** use these controls to match the outputs of your head unit to the amplifier. Starting with your head unit set at about the 2 o'clock position, increase the amp level controls until distortion begins to occur, and reduce slightly from this point.
- low pass frequency controls** when one or both of the crossover selector switches is in "low pass" mode, one can set the upper frequency limit for audio program sent to the speakers.
- high pass frequency controls** when the one or both of crossover selector switch is in "high pass" mode, one can set the lower frequency limit for audio program sent to the speakers.
- CH3/4 Remote Bass Boost** Plug in the Remote Bass Boost Control wire in here.
- bass boost level controls** this control permits adjustment of the bass level up to an increase of approximately 18 dB in either or both pairs of channels.
- low level inputs** this amp features gold-plated RCA input jacks for high impedance input. Use these with car stereo output which uses RCA-type connector cables.
- high level inputs** if your car stereo lacks RCA-type output jacks, you may connect speaker output leads to these input connectors.
- power LED** this indicator is illuminated when power is applied.
- protection LED** this indicator is illuminated when built-in protection circuitry is activated.
- power fuse** the fuse protects the amplifier and your car's electrical system from short circuit conditions.
- power terminals** use these connectors to deliver power, ground and remote turn-on control to the amplifier.
- speaker connections** these terminals are 14K gold plated to guarantee high conductivity and minimum signal loss.

output power @ 14.4v DC, 1KHz

RMS Power @ 4 Ohms	65 Watts x 2	90 Watts x 2
RMS Power @ 2 Ohms	125 Watts x 2	150 Watts x 2
Maximum Power Output	750 Watts x 2	1300 Watts x 2

frequency response ————— 15 Hz-30 KHz —————

input impedance

low level inputs ————— 10K Ohms —————
high level inputs ————— 100 Ohms —————

input sensitivity

low level inputs ————— 250mV —————
high level inputs ————— 2.5V —————

power supply voltage — 14.4V DC Neg. Ground (10.5-16V) —

matching speaker impedance

stereo mode ————— 2-4 Ohms —————
bridged mode ————— 4-8 Ohms —————

maximum current draw 20 A 30 A

dimensions (W x H x L)

mm	271 x 60 x 250	271 x 60 x 300
inches	10.7 x 2.4 x 9.8	10.7 x 2.4 x 11.8

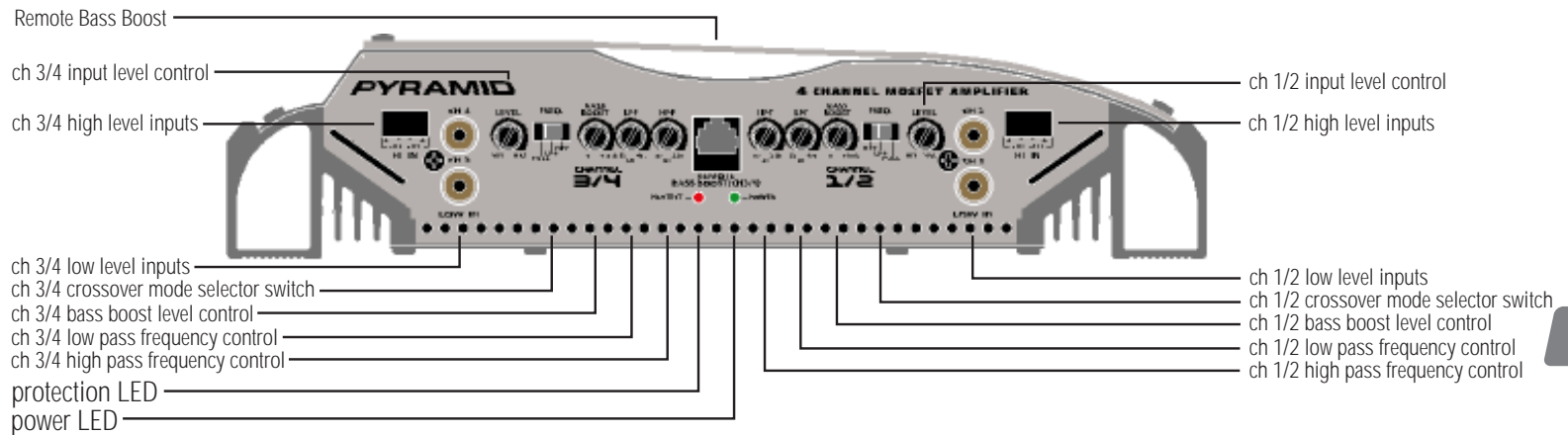


PYRAMID

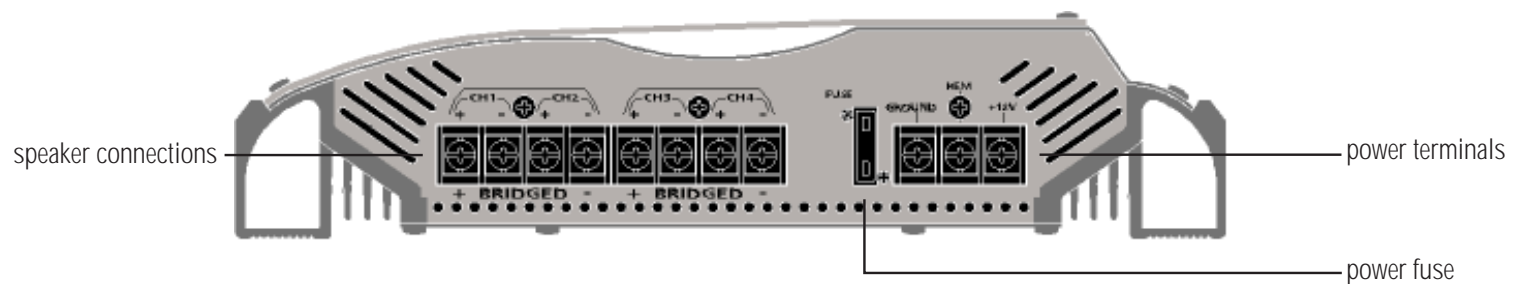
features and controls

4 ch amp PB1200 • PB1700 • PB 2200 • PB 2700

pb 1200
pb 1700
pb 2200
pb 2700



8



PYRAMID

features and specifications

4 ch amp PB1200 • PB1700

dual crossover mode selectors when used with normal, full range systems, set these switches to "FULL." If you wish to use the internal crossovers to power a driver of specific frequency range, use the "LOWPASS" or "HIGHPASS" settings.

dual input level controls use these controls to match the outputs of your head unit to the amplifier. Starting with your head unit set at about the 2 o'clock position, increase the amp level controls until distortion begins to occur, and reduce slightly from this point.

dual low pass frequency controls when one or both of the crossover selector switches is in "low pass" mode, one can set the upper frequency limit for audio program sent to the speakers.

dual high pass frequency controls when the one or both of crossover selector switch is in "high pass" mode, one can set the lower frequency limit for audio program sent to the speakers.

dual bass boost level controls this control permits adjustment of the bass level up to an increase of approximately 18 dB in either or both pairs of channels.

low level inputs this amp features gold-plated RCA input jacks for high impedance input. Use these with car stereo output which uses RCA-type connector cables.

high level inputs if your car stereo lacks RCA-type output jacks, you may connect speaker output leads to these input connectors.

power LED this indicator is illuminated when power is applied.

protection LED this indicator is illuminated when built-in protection circuitry is activated.

power fuse the fuse protects the amplifier and your car's electrical system from short circuit conditions.

power terminals use these connectors to deliver power, ground and remote turn-on control to the amplifier.

speaker connections these terminals are 14K gold plated to guarantee high conductivity and minimum signal loss.

output power @ 14.4v DC, 1KHz

RMS Power @ 4 Ohms	50 Watts x 4	60 Watts x 4
RMS Power @ 2 Ohms	75 Watts x 4	90 Watts x 4
Maximum Power Output	300 Watts x 4	425 Watts x 4

frequency response ————— 15 Hz-30 KHz —————

input impedance

low level inputs ————— 10K Ohms —————

high level inputs ————— 100 Ohms —————

input sensitivity

low level inputs ————— 250mV —————

high level inputs ————— 2.5V —————

power supply voltage — 14.4V DC Neg. Ground (10.5-16V) —

matching speaker impedance

stereo mode ————— 2-4 Ohms —————

bridged mode ————— 4-8 Ohms —————

maximum current draw 20A 25A

dimensions (W x H x L)

mm	271 x 60 x 350	271 x 60 x 375
inches	10.7 x 2.4 x 13.8	10.7 x 2.4 x 14.8

PYRAMID

features and specifications

4 ch amp PB 2200 • PB 2700

dual crossover mode selectors when used with normal, full range systems, set these switches to "FULL." If you wish to use the internal crossovers to power a driver of specific frequency range, use the "LOWPASS" or "HIGHPASS" settings.

dual input level controls use these controls to match the outputs of your head unit to the amplifier. Starting with your head unit set at about the 2 o'clock position, increase the amp level controls until distortion begins to occur, and reduce slightly from this point.

dual low pass frequency controls when one or both of the crossover selector switches is in "low pass" mode, one can set the upper frequency limit for audio program sent to the speakers.

dual high pass frequency controls when the one or both of crossover selector switch is in "high pass" mode, one can set the lower frequency limit for audio program sent to the speakers.

CH 3/4 Remote Bass Boost Plug in the Remote Bass Boost Control wire in here.

dual bass boost level controls this control permits adjustment of the bass level up to an increase of approximately 18 dB in either or both pairs of channels.

low level inputs this amp features gold-plated RCA input jacks for high impedance input. Use these with car stereo output which uses RCA-type connector cables.

high level inputs if your car stereo lacks RCA-type output jacks, you may connect speaker output leads to these input connectors.

power LED this indicator is illuminated when power is applied.

protection LED this indicator is illuminated when built-in protection circuitry is activated.

power fuse the fuse protects the amplifier and your car's electrical system from short circuit conditions.

power terminals use these connectors to deliver power, ground and remote turn-on control to the amplifier.

speaker connections these terminals are 14K gold plated to guarantee high conductivity and minimum signal loss.

output power @ 14.4v DC, 1KHz

RMS Power @ 4 Ohms	65 Watts x 4	75 Watts x 4
RMS Power @ 2 Ohms	100 Watts x 4	115 Watts x 4
Maximum Power Output	550 Watts x 4	675 Watts x 4

frequency response ————— 15 Hz-30 KHz —————

input impedance

low level inputs ————— 10K Ohms —————
high level inputs ————— 100 Ohms —————

input sensitivity

low level inputs ————— 250mV —————
high level inputs ————— 2.5V —————

power supply voltage — 14.4V DC Neg. Ground (10.5-16V) —

matching speaker impedance

stereo mode ————— 2-4 Ohms —————
bridged mode ————— 4-8 Ohms —————

maximum current draw 35 A 40 A

dimensions (W x H x L)

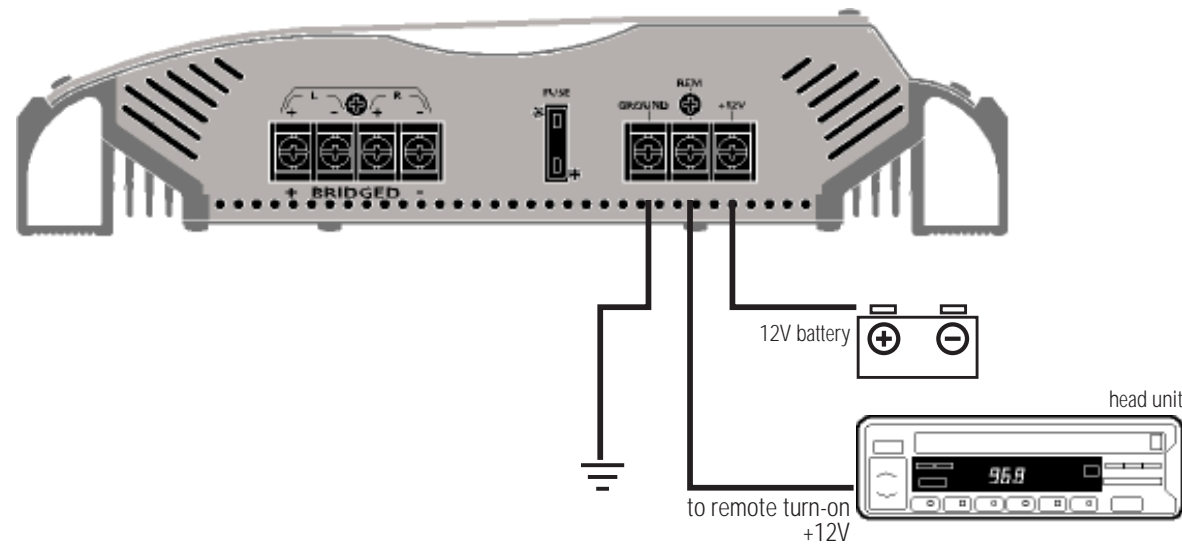
mm	271 x 60 x 425	271 x 60 x 450
inches	10.7x 2.4 x 16.7	10.7 x 2.4 x 17.7

10

PYRAMID

electrical connections 2 ch amp PB 700 • PB 1000 • PB 1100 PB 1500 • PB 2600

pb 700
pb 1000
pb 1100
pb 1500
pb 2600

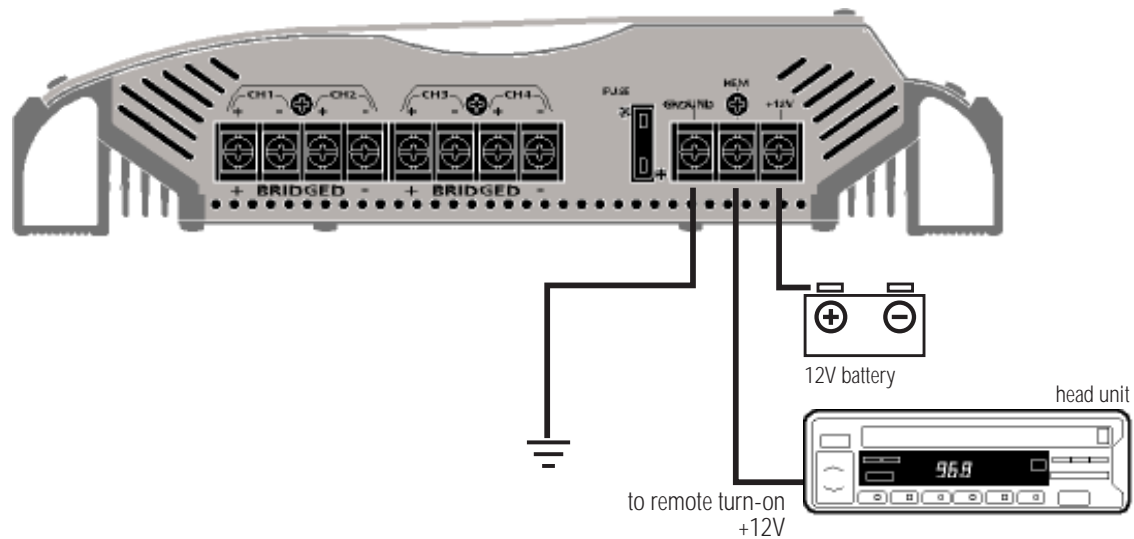


PYRAMID

electrical connections

4 ch amp PB1200 • PB1700 • PB 2200 • PB 2700

pb 1200
pb 1700
pb 2200
pb 2700



12

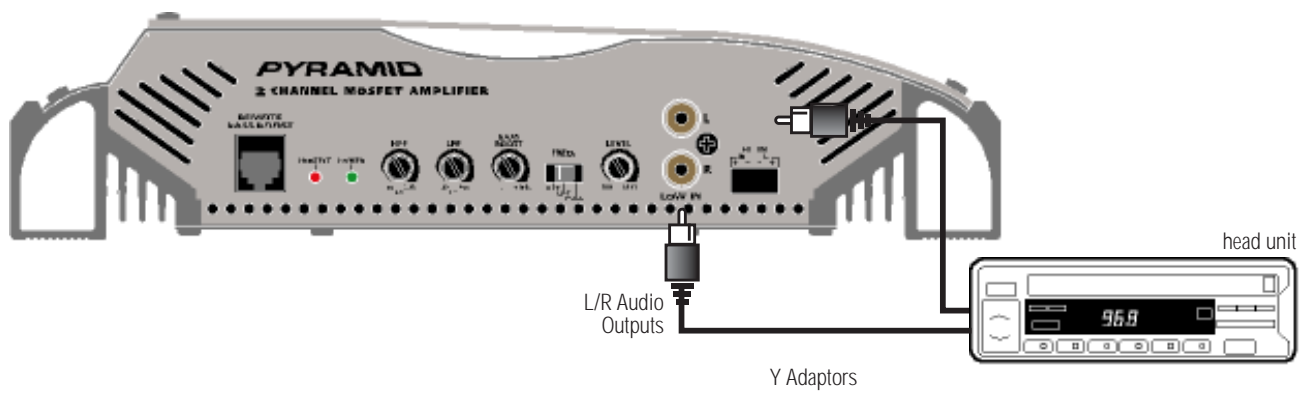
PYRAMID

stereo input connections

2 ch amp PB 700 • PB 1000 • PB 1100
PB 1500 • PB 2600

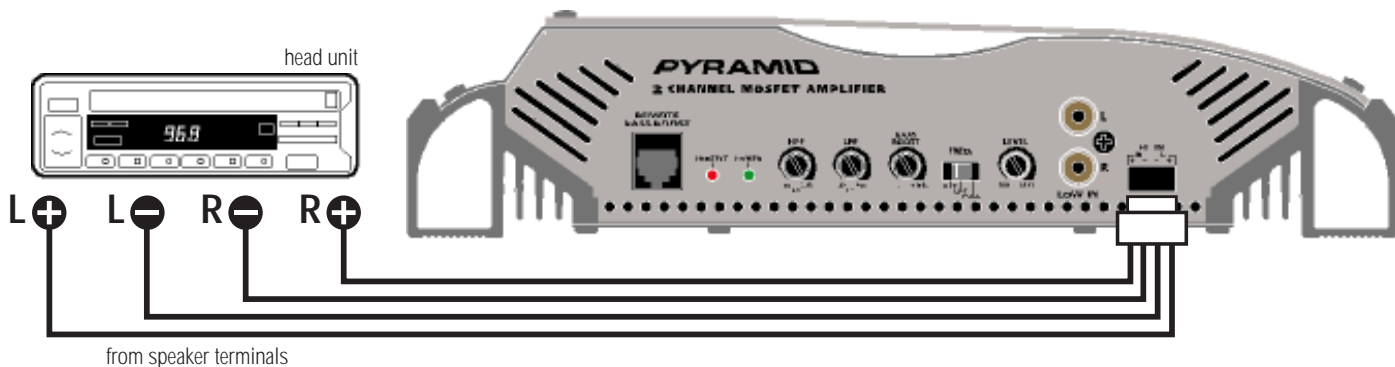
using low level inputs

- pb 700
- pb 1000
- pb 1100
- pb 1500
- pb 2600



using high level inputs

PLEASE NOTE! If using high level inputs, do not use the low level RCA inputs at the same time!



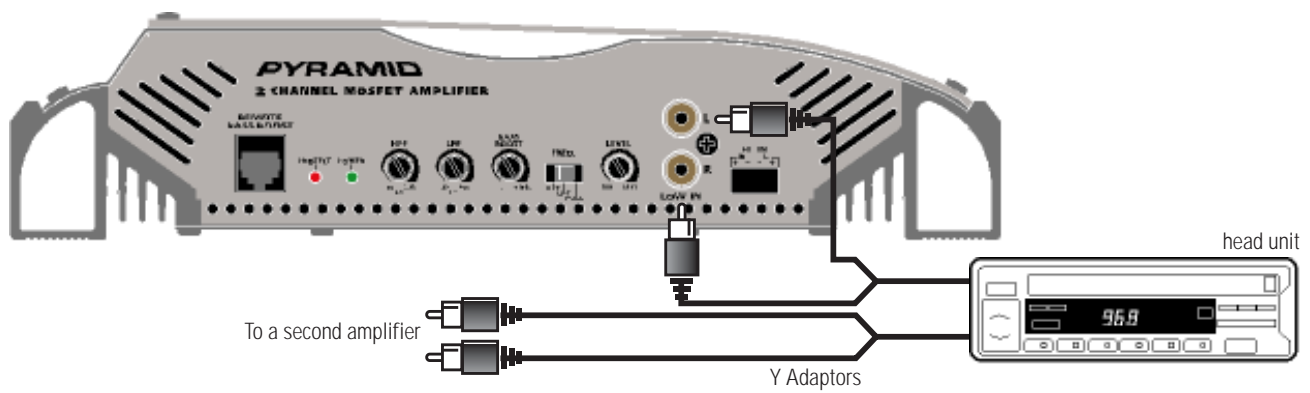
PYRAMID

mono input connections

2 ch amp PB 700 • PB 1000 • PB 1100
PB 1500 • PB 2600

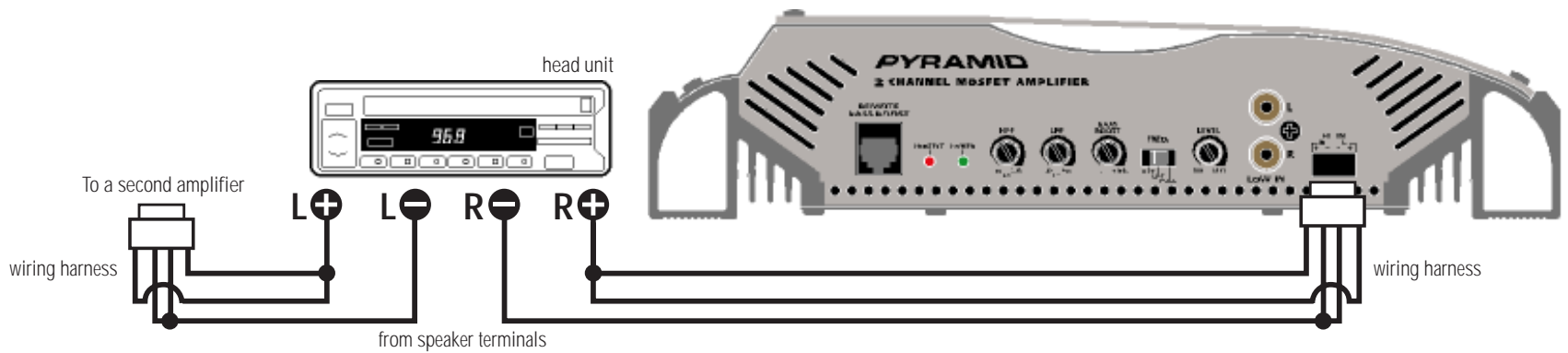
using low level inputs

- pb 700
- pb 1000
- pb 1100
- pb 1500
- pb 2600



PLEASE NOTE! If using high level inputs, do not use the low level RCA inputs at the same time!

using high level inputs



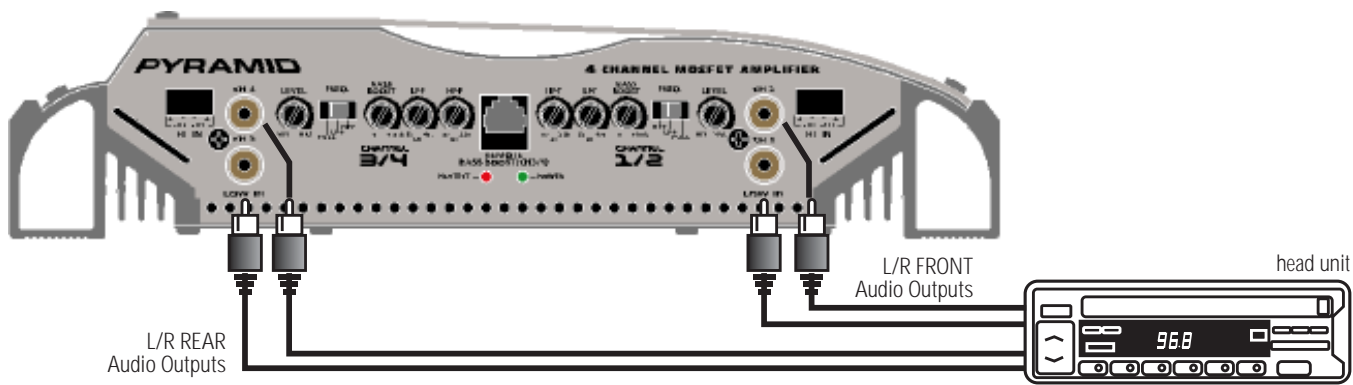
PYRAMID

Stereo input connections

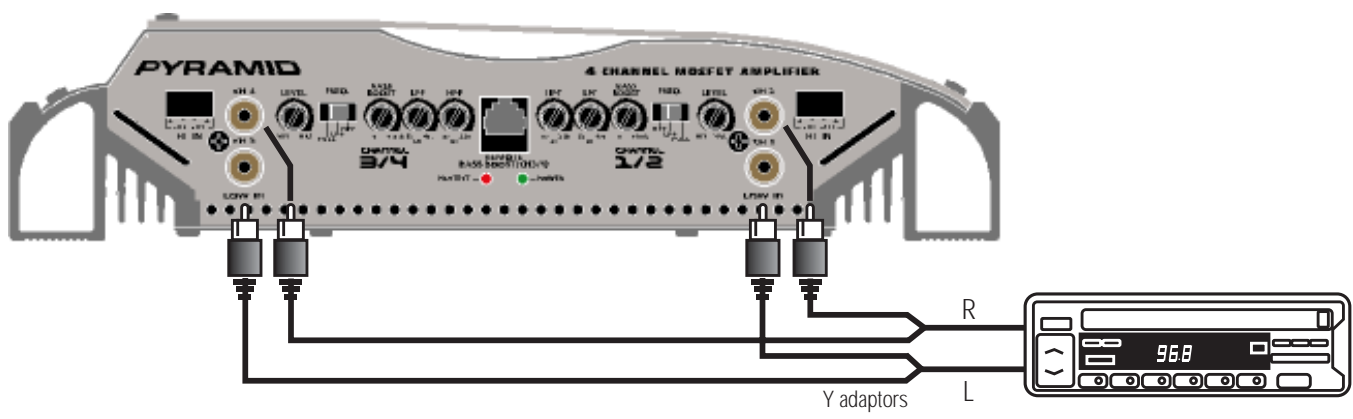
4 ch amp PB1200 • PB1700 • PB 2200 • PB 2700

4 CH Stereo input connections using low level inputs

- pb 1200
- pb 1700
- pb 2200
- pb 2700



2 CH Stereo input connections using low level inputs

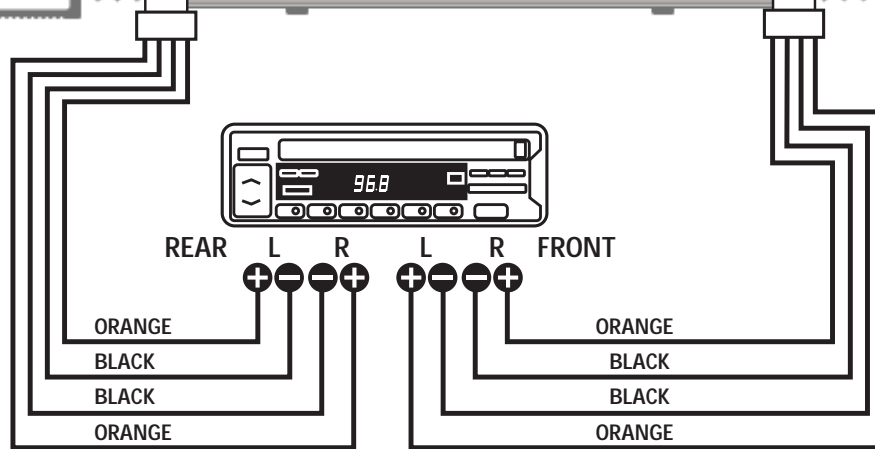


PYRAMID

high level Stereo input connections 4 ch amp PB1200 • PB1700 • PB 2200 • PB 2700

4 CH floating ground connections
4 CH floating ground connections

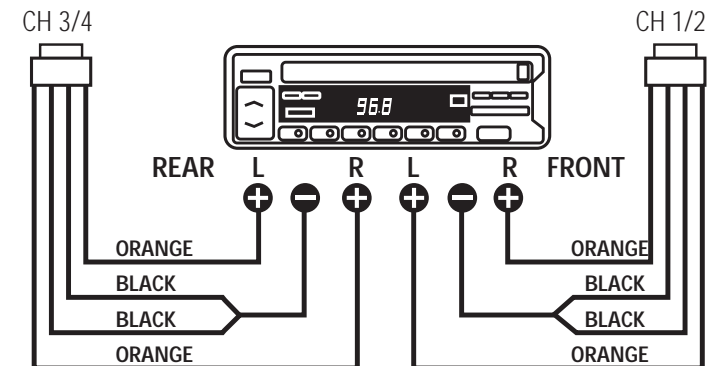
- pb 1200
- pb 1700
- pb 2200
- pb 2700



from speaker terminals

PLEASE NOTE! If using high level inputs, do not use the low level RCA inputs at the same time!

4 CH harness wiring for common ground connections



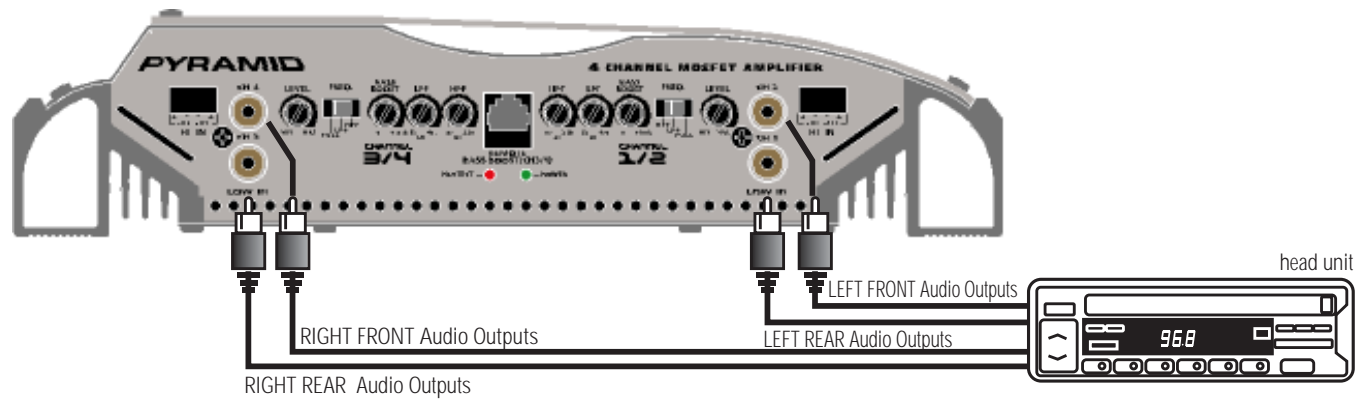
from speaker terminals

PYRAMID mono input connections

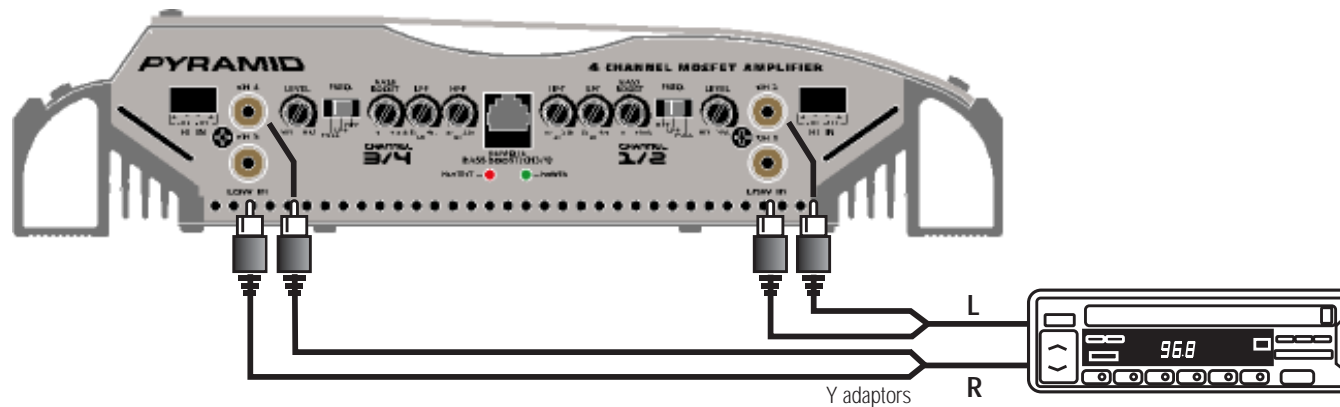
4 ch amp PB1200 • PB1700 • PB 2200 • PB 2700

4 CH mono input connections using low level inputs

pb 1200
pb 1700
pb 2200
pb 2700



2 CH mono input connections using low level inputs



17

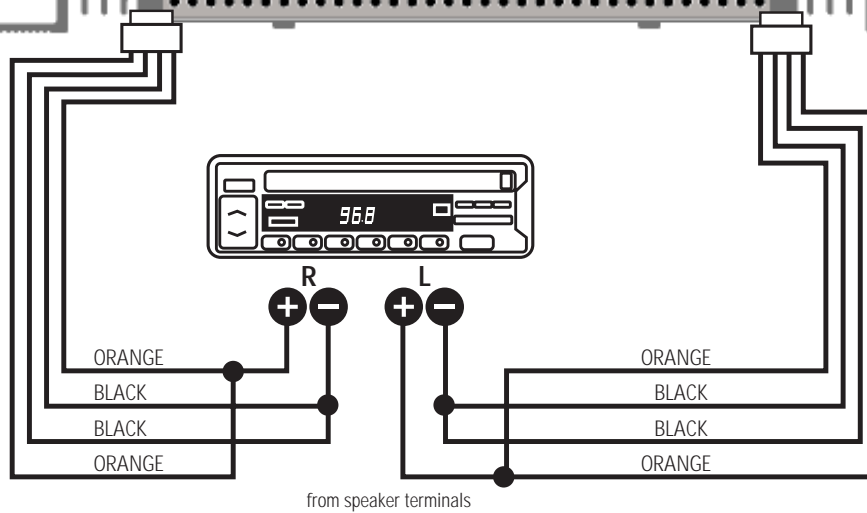
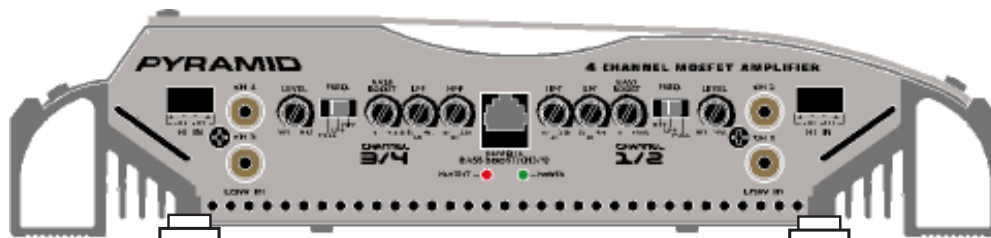
PYRAMID

high level mono input connections

4 ch amp PB 1200 • PB 1700 • PB 2200 • PB 2700

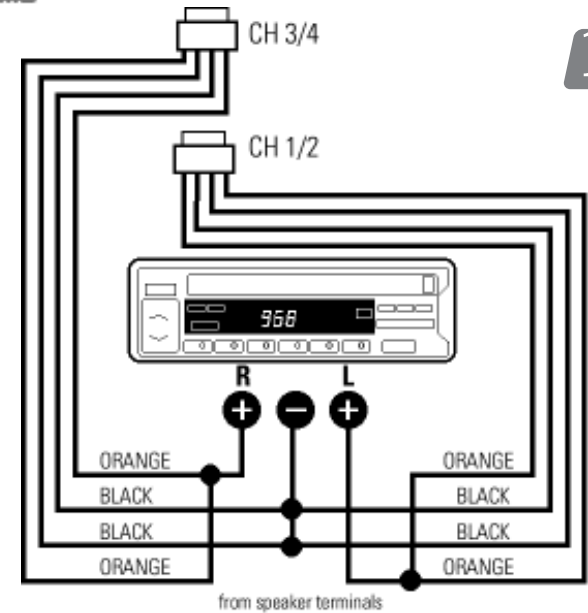
4 CH floating ground connections

- pb 1200
- pb 1700
- pb 2200
- pb 2700



from speaker terminals

4 CH harness wiring
for common ground connections



from speaker terminals

PLEASE NOTE! If using high level inputs, do not use the low level RCA inputs at the same time!

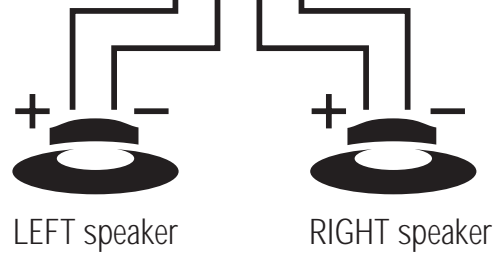
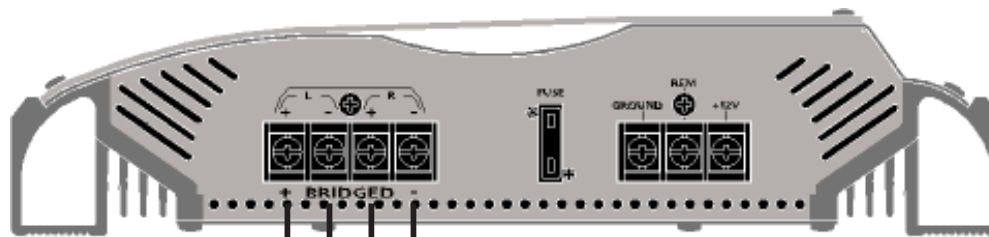
PYRAMID

speaker connections

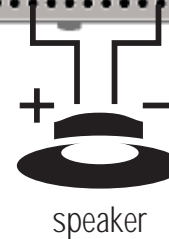
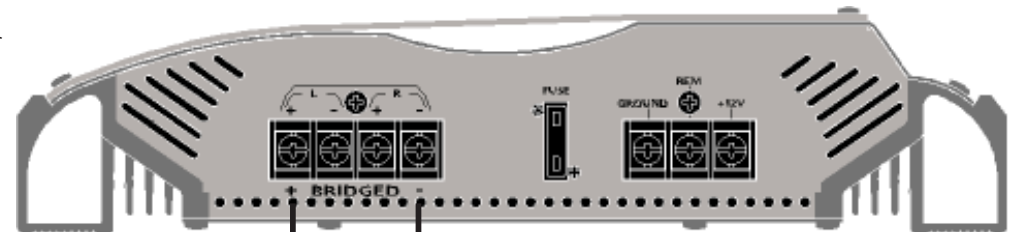
2 ch amp PB 700 • PB 1000 • PB 1100

PB 1500 • PB 2600

Stereo Output Mode



Bridged Mono Output Mode



**MINIMUM
SPEAKER
IMPEDANCE
4 OHMS!**

pb 700
pb 1000
pb 1100
pb 1500
pb 2600

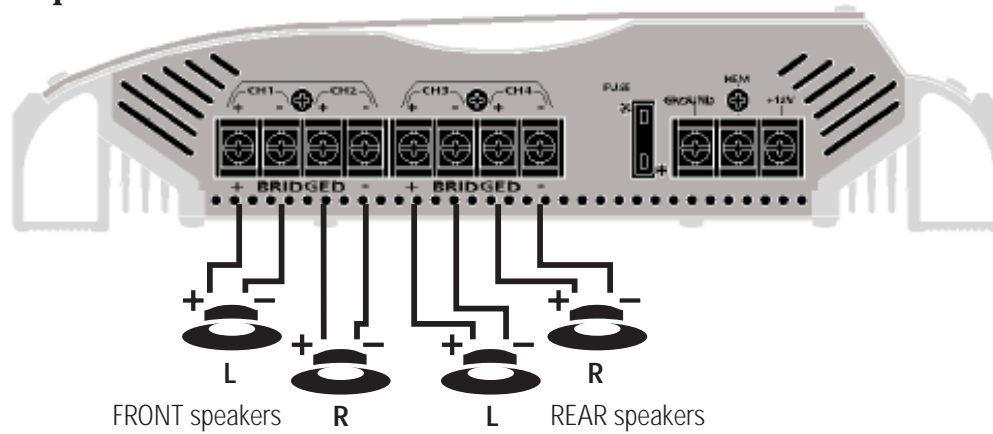
19

PYRAMID

speaker connections

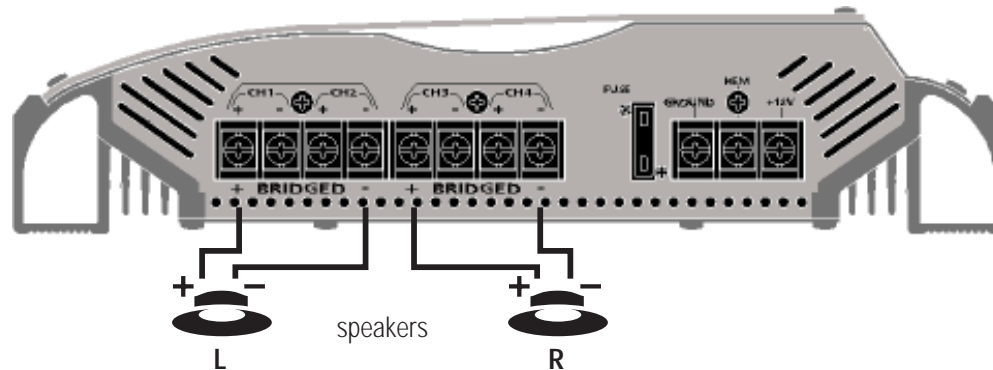
4 ch amp PB 1200 • PB 1700 • PB 2200 • PB 2700

4 CH Output Mode



FRONT speakers L R L REAR speakers

Bridged Dual Mono Output Mode



speakers L R

MINIMUM
SPEAKER
IMPEDANCE
4 OHMS!

- pb 1200
- pb 1700
- pb 2200
- pb 2700

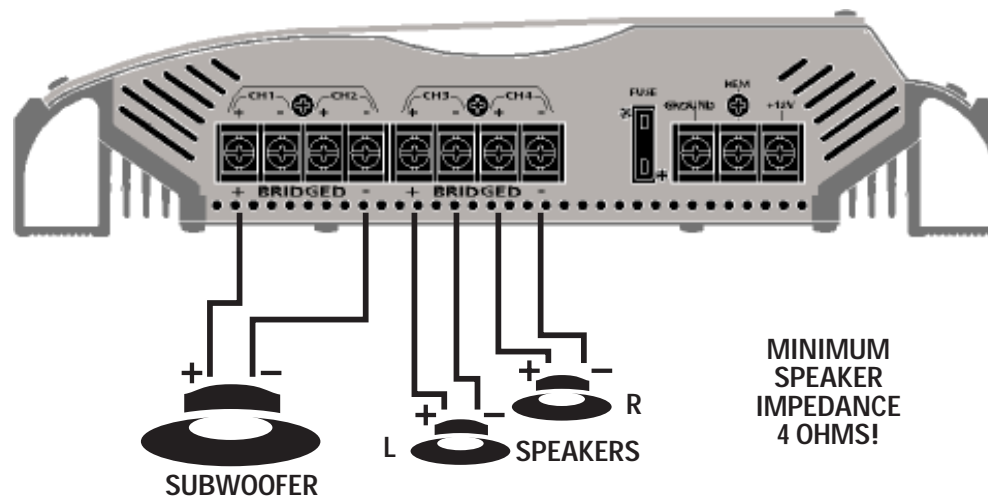
PYRAMID

speaker connections

4 ch amp PB 1200 • PB 1700 • PB 2200 • PB 2700

2 CH Stereo Output Mode with Subwoofer Output

pb 1200
pb 1700
pb 2200
pb 2700



21

PYRAMID

mounting and installation

mounting

Your new Pyramid America Series amplifier comes complete with all required mounting hardware. When determining a suitable location in your vehicle for the amp, please remember that it is a high-power electronic device capable of generating high heat.

For this reason, **always choose a location in your vehicle which has low vibration, adequate ventilation, a minimum of dust, and no moisture.** Be sure to mount the amp in such a manner as to allow reasonable airflow over the cooling fins.

Mark the location for the mounting screw holes by positioning the amp where you wish to install it and use a scribe (or one of the mounting screws) inserted in each of the mounting holes to mark the mounting surface. If the mounting surface is carpeted, measure the hole centers and mark with a felt tip pen.

Before attempting to drill the mounting holes, take note of any wires, lines or other devices in your vehicle which may be located behind the mounting surface! Then drill pilot holes in the mounting surface for the mounting screws and insert them. Tighten the screws securely.

wiring tips

22

When making electrical connections to your amplifier, please observe the following:

Use at least 8 gauge wire for power and ground connections.

Wire the amplifier directly to the car battery.

For the ground connection, use the shortest possible wire to a good chassis ground point.

Wire the Remote connection to the auto start lead of your head unit, equalizer or power antenna.

fuses

About power fuses:

Pyramid America Series amplifiers feature built-in fuse systems. These fuses protect both the amplifier and the electrical system in your vehicle from fault conditions. If you ever need to replace the fuse in your Pyramid America Series amp, use a fuse of exactly the same type and rating. A different type or rating of fuse may result in damage or fire.

PYRAMID protection circuitry troubleshooting

The built-in protection circuitry in the Pyramid America Series amplifiers will disable the amplifier if it senses an input overload, a speaker short circuit, or extreme temperature conditions.

When the protection circuit is activated by any of these conditions, the Protection LED will be illuminated.

If this occurs, carefully inspect the system to determine the source of the problem.

- If the shutdown was a result of a thermal overload condition, allow the amplifier to cool down before attempting to restart it.
- If the shutdown was a result of an input overload, or speaker short circuit, be sure to correct the condition before restarting.

The amplifier can be restarted by turning the remote power OFF and then ON again.

No output.

Confirm that all terminal strip connections are secure and tight.

Check both in-line and built-in fuses. Both the +12V and the Remote terminals must have +12v referenced to chassis ground.

Confirm that the audio signal source (car radio, equalizer, etc.) is connected and is supplying output signal. To check if the amp is supplying signal, unplug the cables from the signal source (but leave them plugged into the amp). Briefly tap the center pin of each of the disconnected RCA plugs with your finger. This should produce a noise (feedback) in your speakers.

Only one channel works.

Confirm that all terminal strip connections are secure and tight.

Check the Balance control on the head unit (or other source) to verify that it is set to its midpoint.

If you are using the Low Level RCA input, reverse the input plugs at the amplifier (i.e., switch the L with the R). If the channels which is silent switches to the other side, the problem is either in the head unit/other source or the connecting cables.

Weak output.

Readjust the Input Level Control(s) to better suit the input signal.

Noise in the audio.

If the noise is a "whine" whose pitch follows the engine speed, confirm that the amplifier and any other signal sources (head unit, etc.) are properly grounded.

If the noise is a "clicking" or "popping" noise whose rate follows the engine speed, this usually means that the vehicle is equipped with resistor spark plugs and wires, or that the ignition is in need of service.

Check the routing of the speaker and input wires to make sure they are not adjacent to wires which interconnect lights and other accessories.

If the above steps fail to improve or clear noise interference, the system should be checked by a professional mobile audio installer.

PYRAMID

precautions

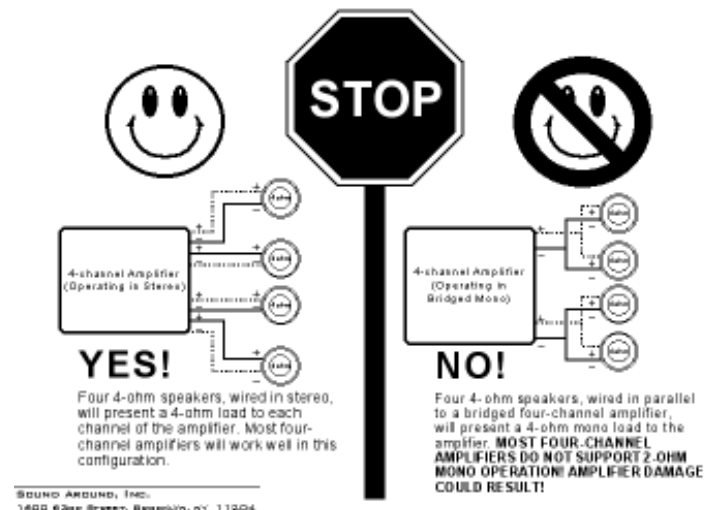
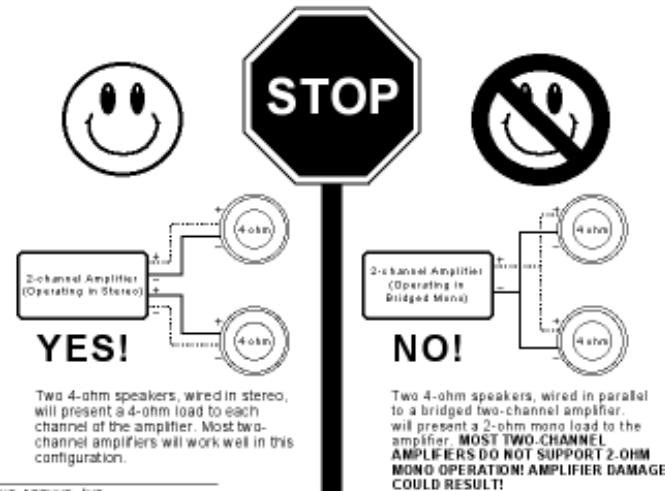
notes

Do not operate the amplifier when it is unmounted. Attach all audio system components securely within the automobile to prevent damage, especially in an accident.

Do not mount this amplifier so that the wire connections are unprotected, or in a pinched condition, or likely to be damaged by nearby objects.

Before making or breaking power connections in your system, disconnect the vehicle battery. Confirm that your head unit or other equipment is turned off while connecting the input jacks and speaker terminals.

If you need to replace the power fuse, do so only with a fuse identical to that supplied with the amplifier. Using a fuse of a different type or rating may result in damage that isn't covered in the manufacturer's warranty.



PYRAMID



All Pyramid products are carefully constructed and thoroughly tested before shipment. Products purchased in the USA are warranted to be free of defects in material and workmanship for two (2) years from the date of purchase. This warranty is limited to the original retail purchase.

Should the product fail due to factory defects in material or workmanship, your unit will be repaired or replaced at the sole discretion of Pyramid.

To obtain warranty service you must first call our Consumer Return Hotline number at (718) 236-6948 to obtain a Return Authorization number. This R.A.# must appear on the outside of your package and on all paperwork relating to your return.

When returning a product to us for warranty service it must be carefully packed and shipped prepaid to:

R.A.#
Pyramid Service Center
1600 63rd Street
Brooklyn, NY 11204

You must also include the following items:

- A copy of your sales receipt or other proof of purchase
- A brief letter indicating the problem you are experiencing
- include in your letter your return address, daytime phone number, and R.A. number
- also include a check or money order for \$15.00 for return shipping, handling, and insurance, or provide your Visa/MC number with expiration date.

Our obligation under this warranty is limited to the repair or replacement of the defective unit when it is returned to us prepaid. This warranty will be considered void if the unit was tampered with, improperly serviced, or subject to misuse, neglect, or accidental damage.

limited warranty policy

Free Manuals Download Website

<http://myh66.com>

<http://usermanuals.us>

<http://www.somanuals.com>

<http://www.4manuals.cc>

<http://www.manual-lib.com>

<http://www.404manual.com>

<http://www.luxmanual.com>

<http://aubethermostatmanual.com>

Golf course search by state

<http://golfingnear.com>

Email search by domain

<http://emailbydomain.com>

Auto manuals search

<http://auto.somanuals.com>

TV manuals search

<http://tv.somanuals.com>