

# PYRAMID

## OPERATION MANUAL

Manual Tuning Stereo Radio Receiver  
Digital Compact Disc Player with CD-R/RW Playback  
Maximum Output 160W  
Mechanical Detachable Front Panel  
Electronic Preset Equalizer  
Electronic Audio Control

## CDR-36DX



### DEAR CUSTOMER

Congratulations for your purchase!  
Please read this manual carefully, and keep it for future reference.  
If you need extra support, please visit [www.pyramidcaraudio.com](http://www.pyramidcaraudio.com)

## 06 TROUBLESHOOTING

Before going through the check list, check wiring connection. If any of the persist after checklist has been made, consult your nearest service dealer.

Symptom	Causes	Solution
No Power	The car ignition key has not been switched on	If the power supply is properly connected to the car accessory terminal, switch the ignition key to ACC.
	The fuse is blown	Replace a new fuse
CD Cannot Be Loaded or Ejected	A CD is already inside the player slot	Remove the CD from the player and insert the new one
	Inserting the CD in reverse direction	Insert the CD with the label facing up
	The CD is extremely dirty or defected	Clean the CD or try to play a new one
	Temperature inside the car is too high	Cool off until the ambient temperature return to normal
	Condensation	Leave the player off for an hour or so and try again
No Sound	Volume is at minimum	Adjust volume to desired level
	Wiring is not properly connected	Check wiring connection
Sound Skipping	The installation angle is more than 30°	Adjust the installation angle to less than 30°
	CD is extremely dirty or defected	Clean the CD or try to play a new one
The Operation Keys Do Not Work	The built-in microcomputer is not operating properly due to interference	Press the RESET button or reinstall the front panel properly
The Radio or Automatic Selection Does Not Work	The antenna cable is not connected correctly	Connect the antenna cable correctly
	The signals are too weak	Select the station manually

**05 SPECIFICATION**

**General**

Power Supply Requirements: DC 12V, Negative Ground  
 Maximum Output Power: 160W  
 Chassis Dimensions: 178 x 165 x 50mm (W x D x H)

**Tone Controls**

Bass (at 100Hz): +10dB / -10dB  
 Treble (at 100KHz): +10dB / -10dB  
 Current Drain: 5 A

**CD Player**

Signal to Noise Ratio: More than 60dB  
 Channel Separation: More than 60dB  
 Frequency Response: 20Hz - 20KHz

**FM Radio**

Frequency Coverage (MHz): 87.5 - 108 (Europe)  
 65 - 108 (OIRT)  
 87.5 - 107.9 (U.S.A.)  
 IF : 10.7MHz  
 Sensitivity (S/N=30dB): 12dBμ  
 Stereo Separation: >30dB

**AM Radio**

Frequency Coverage (KHz): 522 - 1620 (Europe/OIRT)  
 530 - 1710 (U.S.A.)  
 IF : 450KHz  
 Sensitivity (S/N=20dB): 32dBμ

**TABLE OF CONTENTS**

**Thank you for buying this product!**

Please read through these instructions so you will know how to install and operate your model properly. *After you have finished reading the instructions, put them away in a safe place for future reference.*

<b>01 Installation</b>	
Precautions	02
DIN Front-Mount (Method A)	02 - 03
DIN Rear-Mount (Method B)	03
<b>02 Additional Information</b>	
Wire Connection Diagram	04
How To Install and Remove The Front Panel	04
<b>03 General Operations</b>	
Front Panel Layout	05
General Operations	05 - 06
<b>04 Radio &amp; CD Operations</b>	
Radio Operations	07
CD Operations	07
<b>05 Specification</b>	08
<b>06 Troubleshooting</b>	09

## 01 INSTALLATION

### PRECAUTIONS

Choose the mounting location where the unit will not interfere with the normal driving function of the driver.

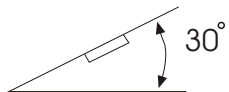
Before finally installing the unit, connect the wiring temporarily and make sure it is all connected up properly and the unit and the system work properly.

Use only the parts included with the unit to ensure proper installation. The use of unauthorized parts can cause malfunctions.

Consult with your nearest dealer if installation requires the drilling of holes or other modifications of the vehicle.

Install the unit where it does not get in the driver's way and cannot injure the passenger if there is a sudden stop. Like an emergency stop.

If installation angle exceeds 30° from horizontal, the unit might not give its optimum performance.



Avoid installing the unit where it would be subject to high temperature, such as from direct sunlight, or from hot air, from the heater, or where it would be subject to dust, dirt or excessive vibration.

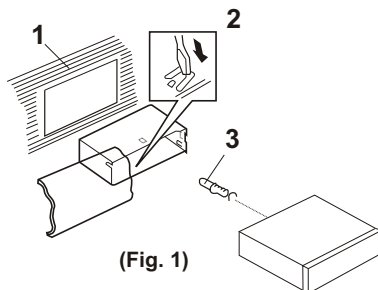
### DIN FRONT-MOUNT (Method A)

Installing the unit

1. Dashboard
2. Holder

After inserting the holder into the dashboard, select the appropriate tab according to the thickness of the dashboard material and bend them inwards to secure the holder in place.

3. Screw



(Fig. 1)

## 04 RADIO & CD OPERATIONS

### RADIO OPERATIONS

#### BAND

Press **BND button (10)** to change bands as below:



#### SELECT STATION

Rotate **TUNING knob (11)** clockwise or anticlockwise to adjust the frequency upward or downward.

#### LOCAL/DISTANT

Press the **LOC/RPT button (12)** to select between local setting for reception of strong station and distant setting for reception of weak station when tuning.

#### MONO/STEREO

In FM band, press **MON/INT button (13)** to select mono or stereo reception for radio stations. You can sometimes improve reception of distant stations by selecting mono operation.

### CD OPERATIONS

#### DISC PLAY

Gently insert a CD with the label side facing up into the **Disc Slot (16)**. The CD is then automatically loaded into the unit and starts playing with the first track of the disc. The digital display will indicate the track number and the time of the track.

#### EJECT

Press **Eject button (15)** to stop CD playback and eject CD from slot. Receiver switches to radio operation.

#### PAUSE CD

Press **Play/Pause button (14)** to temporarily stop the playback. Press it again to resume playback.

#### SKIP TRACKS

Press **Track Forward button (17)** or **Track Reverse button (18)** to choose the following track or the previous track. Track numbers show on display.

#### FAST FORWARD/FAST REVERSE

Hold **Track Forward button (17)** or **Track Reverse button (18)** for several seconds to fast forward or fast reverse. Releasing the button to stop fast forward and fast reverse playback.

#### REPEAT

Press **LOC/RPT button (12)** to continuously repeat playing the current track. Press it again to cancel the function.

#### INTRO:

#### PREVIEW ALL TRACKS

Press **MON/INT button (13)** to play first several seconds for each track. Press it again to stop intro and back to normal playback.

#### RANDOM:

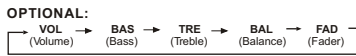
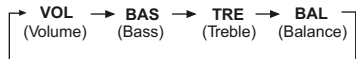
#### RANDOM TRACKS PLAYBACK

Press and hold **LOU/RDM button (8)** for several seconds to play all tracks in the random order. Press it again to cancel the function.

### 03 GENERAL OPERATIONS

**SELECT MODE**

Press **SEL button (3)** to change audio mode through volume, bass, treble, balance mode. Use **VOL Up (4)** and **VOL Down (5)** button to adjust the selected mode. When mode has not been adjusted for several seconds, display returns to normal radio or CD display.



**VOLUME**

Adjust volume level by using **VOL Up (4)** and **VOL Down (5)** buttons.

**BASS**

Press **SEL button (3)** one time. Adjust bass level by using **VOL Up (4)** and **VOL Down (5)** buttons.

**TREBLE**

Press **SEL button (3)** two times. Adjust treble level by using **VOL Up (4)** and **VOL Down (5)** buttons.

**BALANCE**

Press **SEL button (3)** three times. Adjust sound balance between left and right speakers by using **VOL Up (4)** and **VOL Down (5)** buttons.

**FADER (optional)**

Press **SEL button (3)** four times. Adjust sound balance between front and rear speakers by using **VOL Up (4)** and **VOL Down (5)** buttons.

**MUTE**

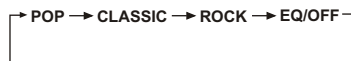
Press **MUTE button (6)** to mute down sound. Press it again to release this mode and recover previous volume level.

**CD MODE/RADIO MODE**

During CD operation, Press **BND button (10)** to switch to radio mode. During radio operation, when a compact disc is inserted in the **Disc Slot (16)**, Press **Play/Pause button (14)** to switch to CD mode and start playing.

**EQUALIZATION**

Press **EQ button (7)** to turn to equalization function and to select desired audio mode. There are four kinds of modes as below:



**LIQUID CRYSTAL DISPLAY**

The **LCD (19)** can show the current state of the unit.

**FLASHING LED**

If the front panel is not on the main unit, **LED (20)** will be flashing.

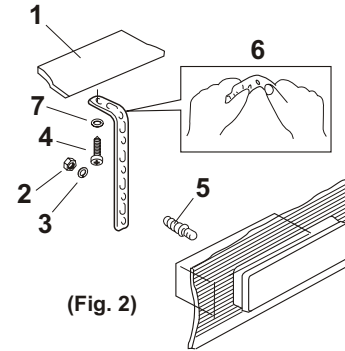
**RESET BUTTON FUNCTION**

**RESET button (21)** is placed on the housing and must be activated with either a ballpoint pen or thin metal object. The **RESET button (21)** is to be activated for the following reasons:

- Initial installation of the unit when all wiring is completed.
- All the function buttons do not operate.
- Error symbol on the display.

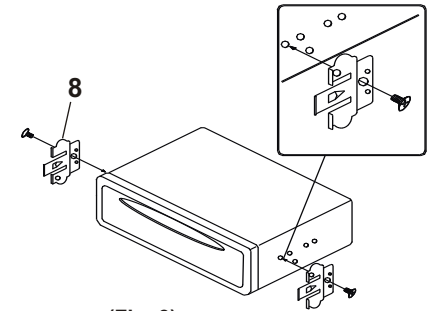
NOTE: If Press RESET button (21), the unit can't work yet, please use a cotton swab soaked in isopropyl alcohol to clean the socket on the back of the front panel.

### 01 INSTALLATION



(Fig. 2)

1. Dashboard
2. Nut (5mm)
3. Spring Washer
4. Screw (5 x 25mm)
5. Screw

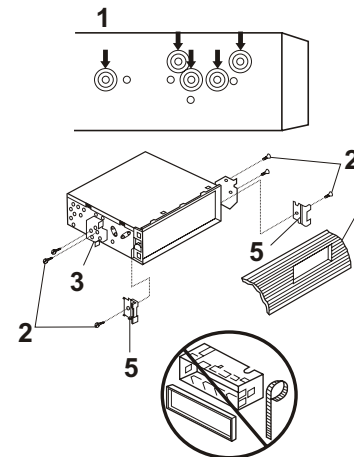


(Fig. 3)

6. Strap  
Be sure to use the strap to secure the back of the unit in place. The strap can be bent by hand to the desired angle.
7. Plain Washer
8. Fix the springs on each side.

**DIN REAR-MOUNT (Method B)**

Installation using the screw holes on the sides of the unit



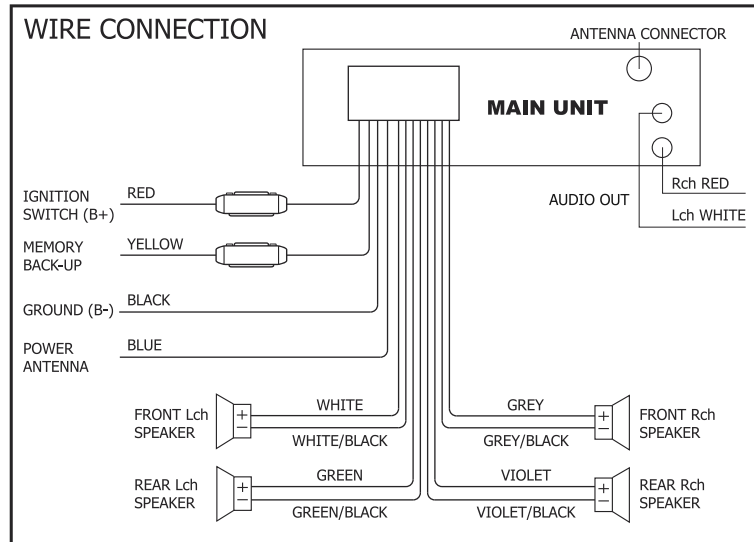
Fastening the unit to the factory radio mounting bracket.

1. Select a position where the screw holes of the bracket and the screw holes of the main unit become aligned (are fitted), and tighten the screws at 2 places on each side. Use either truss screws (5 x 5mm) or flush surface screws (4 x 5mm), depending on the shape of the screw holes in the bracket.
2. Screw
3. Factory radio mounting bracket
4. Dashboard or Console
5. Hook (Remove this part)

NOTE: The mounting box, outer trim ring, and half-sleeve are not used for method B installation.

## 02 ADDITIONAL INFORMATION

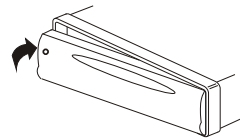
### WIRING CONNECTION DIAGRAM



### HOW TO INSTALL AND REMOVE THE FRONT PANEL

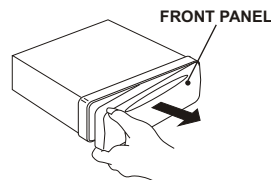
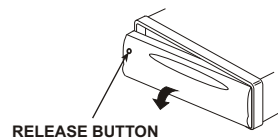
#### INSTALLING THE FRONT PANEL

To install the front panel, insert the panel into the housing and make sure the panel is properly installed, otherwise, abnormalities occurs on the display or some keys will not function properly.



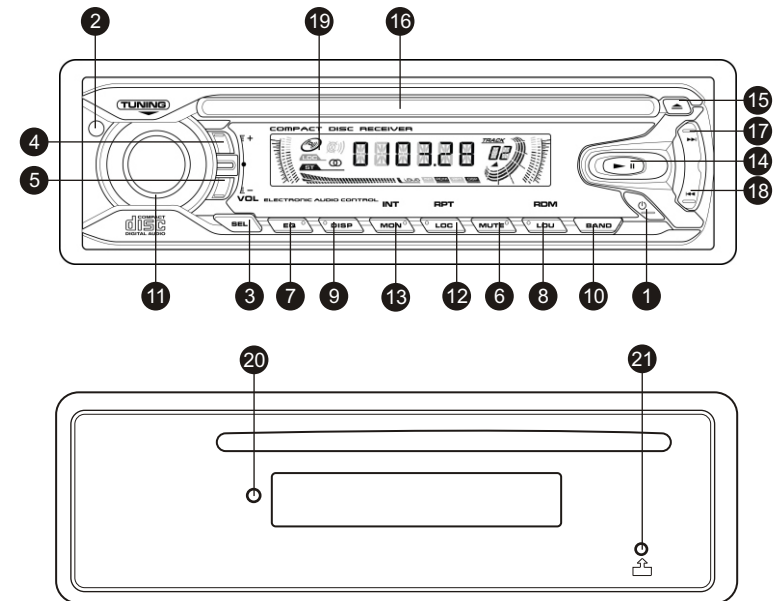
#### REMOVING THE FRONT PANEL

Press the release button and pull-off the front panel, keep front panel into the case.



## 03 GENERAL OPERATIONS

### FRONT PANEL LAYOUT



### GENERAL OPERATIONS

#### ON/OFF

Press **POWER button (1)** to turn on the unit. Press it again to turn off.

#### FRONT PANEL RELEASE

Press **REL button (2)** to detach the removable front panel

#### LOUDNESS

Press **LOU/RDM button (8)** shortly to reinforce the bass output.

#### SET THE CLOCK

Press **DSP button (9)** to change the display to clock display. Press it again to return to previous display. In clock display, press and hold the **DSP button (9)** for several seconds until the clock display flashes. Press **Track Forward (17) button** to change minutes or **Track Reverse (18) button** to change hours.

## Free Manuals Download Website

<http://myh66.com>

<http://usermanuals.us>

<http://www.somanuals.com>

<http://www.4manuals.cc>

<http://www.manual-lib.com>

<http://www.404manual.com>

<http://www.luxmanual.com>

<http://aubethermostatmanual.com>

Golf course search by state

<http://golfingnear.com>

Email search by domain

<http://emailbydomain.com>

Auto manuals search

<http://auto.somanuals.com>

TV manuals search

<http://tv.somanuals.com>