

# PYRAMID

## OPERATION MANUAL

Manual Tuning Stereo Radio Receiver  
Digital Compact Disc Player  
Maximum Output 160W  
MP3/CD-R/RW Playback  
Mechanical Detachable Front Panel  
Electronic Anti-Shock Protection  
Electronic Preset Equalizer  
Electronic Audio Control

## CDR-39M



### DEAR CUSTOMER

Congratulations for your purchase!  
Please read this manual carefully, and keep it for future reference.  
If you need extra support, please visit [www.pyramidcaraudio.com](http://www.pyramidcaraudio.com)

## 07 TROUBLESHOOTING

Before going through the check list, check wiring connection. If any of the persist after checklist has been made, consult your nearest service dealer.

Symptom	Causes	Solution
No Power	The car ignition key has not been switched on	If the power supply is properly connected to the car accessory terminal, switch the ignition key to ACC.
	The fuse is blown	Replace a new fuse
CD Cannot Be Loaded or Ejected	A CD is already inside the player slot	Remove the CD from the player and insert the new one
	Inserting the CD in reverse direction	Insert the CD with the label facing up
	The CD is extremely dirty or defected	Clean the CD or try to play a new one
	Temperature inside the car is too high	Cool off until the ambient temperature return to normal
	Condensation	Leave the player off for an hour or so and try again
No Sound	Volume is at minimum	Adjust volume to desired level
	Wiring is not properly connected	Check wiring connection
Sound Skipping	The installation angle is more than 30°	Adjust the installation angle to less than 30°
	CD is extremely dirty or defected	Clean the CD or try to play a new one
The Operation Keys Do Not Work	The built-in microcomputer is not operating properly due to interference	Press the RESET button or reinstall the front panel properly
The Radio or Automatic Selection Does Not Work	The antenna cable is not connected correctly	Connect the antenna cable correctly
	The signals are too weak	Select the station manually

**06 SPECIFICATION**

**General**

Power Supply Requirements: DC 12V, Negative Ground  
 Maximum Output Power: 160W  
 Chassis Dimensions: 178 x 165 x 50mm (W x D x H)

**Tone Controls**

Bass (at 100Hz): +10dB / -10dB  
 Treble (at 100KHz): +10dB / -10dB  
 Current Drain: 5 A

**CD Player**

Signal to Noise Ratio: More than 60dB  
 Channel Separation: More than 60dB  
 Frequency Response: 20Hz - 20KHz

**FM Radio**

Frequency Coverage (MHz): 87.5 - 108 (Europe)  
 65 - 108 (OIRT)  
 87.5 - 107.9 (U.S.A.)  
 IF : 10.7MHz  
 Sensitivity (S/N=30dB): 12dBμ  
 Stereo Separation: >30dB

**AM Radio**

Frequency Coverage (KHz): 522 - 1620 (Europe/OIRT)  
 530 - 1710 (U.S.A.)  
 IF : 450KHz  
 Sensitivity (S/N=20dB): 32dBμ

**TABLE OF CONTENTS**

**Thank you for buying this product!**

Please read through these instructions so you will know how to install and operate your model properly. *After you have finished reading the instructions, put them away in a safe place for future reference.*

<b>01 Installation</b>	
Precautions	02
DIN Front-Mount (Method A)	02 - 03
DIN Rear-Mount (Method B)	03
<b>02 Additional Information</b>	
Wire Connection Diagram	04
How To Install and Remove The Front Panel	04
<b>03 General Operations</b>	
Front Panel Layout	05
General Operations	05 - 06
<b>04 Radio &amp; CD Operations</b>	
Radio Operations	07
CD Operations	07
<b>05 MP3 Operations</b>	
Basic Operations	08
Search Functions	09 - 11
<b>06 Specification</b>	12
<b>07 Troubleshooting</b>	13

## 01 INSTALLATION

### PRECAUTIONS

Choose the mounting location where the unit will not interfere with the normal driving function of the driver.

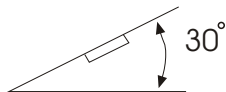
Before finally installing the unit, connect the wiring temporarily and make sure it is all connected up properly and the unit and the system work properly.

Use only the parts included with the unit to ensure proper installation. The use of unauthorized parts can cause malfunctions.

Consult with your nearest dealer if installation requires the drilling of holes or other modifications of the vehicle.

Install the unit where it does not get in the driver's way and cannot injure the passenger if there is a sudden stop. Like an emergency stop.

If installation angle exceeds 30° from horizontal, the unit might not give its optimum performance.



Avoid installing the unit where it would be subject to high temperature, such as from direct sunlight, or from hot air, from the heater, or where it would be subject to dust, dirt or excessive vibration.

### DIN FRONT-MOUNT (Method A)

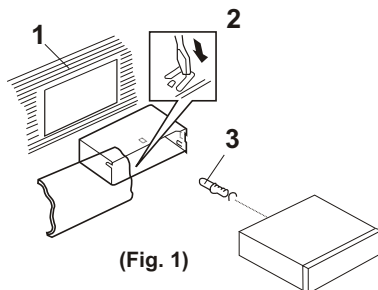
Installing the unit

1. Dashboard

2. Holder

After inserting the holder into the dashboard, select the appropriate tab according to the thickness of the dashboard material and bend them inwards to secure the holder in place.

3. Screw



(Fig. 1)

## 05 MP3 OPERATIONS

### SEARCH FUNCTIONS (CHARACTER SEARCH EXAMPLE)

If the structure of Disc above does MP3 TOC, it is as follows...

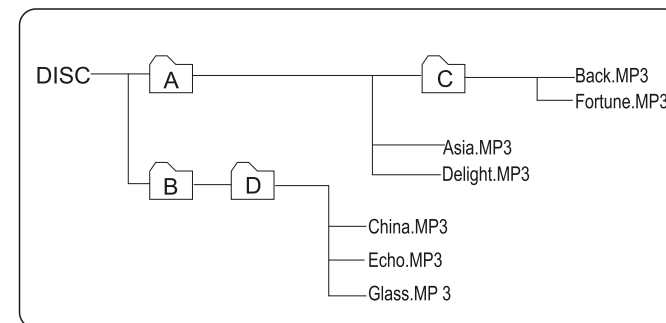
Total Directories: 4

Total Song: 7

Directories to have MP3 file: 3 (A, C, D)

To listen to a song from MP3 (On Normal play)

- 1) **BAND/SEARCH button (10)** input (3 times) Character search mode display.
- 2) **SEL/MENU/ENT button (3)** input Character "A" display in the 1st digit.
- 3) **MENU Down button (5)** input (4 times) Character "E" display. (If **SEL/MENU/ENT button (3)** is pressed for longer than 0.5 sec., "Asia" file will begin playing).
- 4) **SEL/MENU/ENT button (3)** input (1 time) Character "EA" display.
- 5) **MENU Down button (5)** input (2 times) Character "EC" display.
- 6) **SEL/MENU/ENT button (3)** input Character "ECA" display.
- 7) **MENU Down button (5)** input (7 times) Character "ECH" display.
- 8) **SEL/MENU/ENT button (3)** input Character "ECHA" display.
- 9) **MENU Down button (5)** input (14 times) Character "ECHO" display.
- 10) **SEL/MENU/ENT button (3)** input for longer than 0.5 sec, "ECHO" file will begin playing.



NOTE: If MENU Up button (4) or MENU Down button (5) is pressed for longer than 0.5 sec, fast Up/Down is possible.

## 05 MP3 OPERATIONS

### SEARCH FUNCTIONS (FILE SEARCH EXAMPLE)

If the structure of Disc above does MP3 TOC, it is as follows...

Total Directories: 4

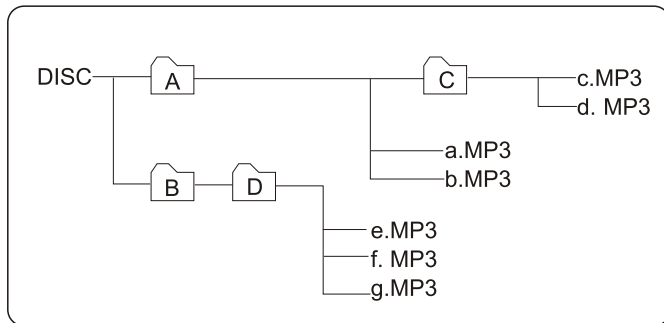
Total Song: 7

Directories to have MP3 file: 3 (A, C, D)

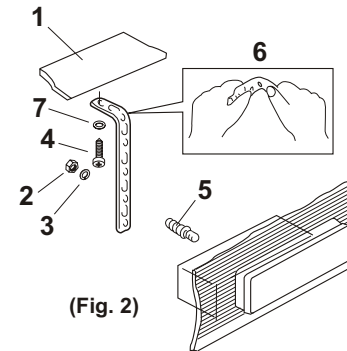
We regard directories as MP3 file. When operating it is located as A ▶ C ▶ D ▶ A ▶...

To listen to a song from MP3 (On Normal play)

- 1) Press the **BAND/SEARCH button (10)** for 2 times. File search mode will be displayed.
- 2) Press **SEL/MENU/ENT button (3)**. "A" directory will be displayed.
- 3) Press **MENU Down button (5)** for 2 times. "D" directory display. (If **BAND/SEARCH button (10)** is pressed for more than 0.5 sec, first song in "D" dir. "e" file will start to play).
- 4) Press **SEL/MENU/ENT button (3)**. "e" file display.
- 5) Press **MENU Down button (5)**. "f" file display.
- 6) Press **SEL/MENU/ENT button (3)**. "f.MP3" file will start to play.
- 7) If **SEL/MENU/ENT button (3)** is pressed after **MENU Down button (5)** has been pressed for once. "C" file will be displayed.

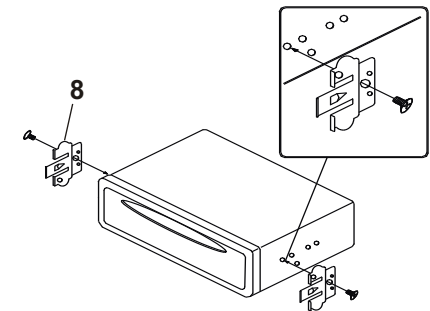


## 01 INSTALLATION



(Fig. 2)

1. Dashboard
2. Nut (5mm)
3. Spring Washer
4. Screw (5 x 25mm)
5. Screw

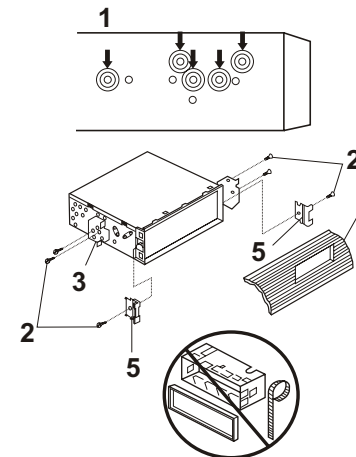


(Fig. 3)

6. Strap  
Be sure to use the strap to secure the back of the unit in place. The strap can be bent by hand to the desired angle.
7. Plain Washer
8. Fix the springs on each side.

### DIN REAR-MOUNT (Method B)

Installation using the screw holes on the sides of the unit



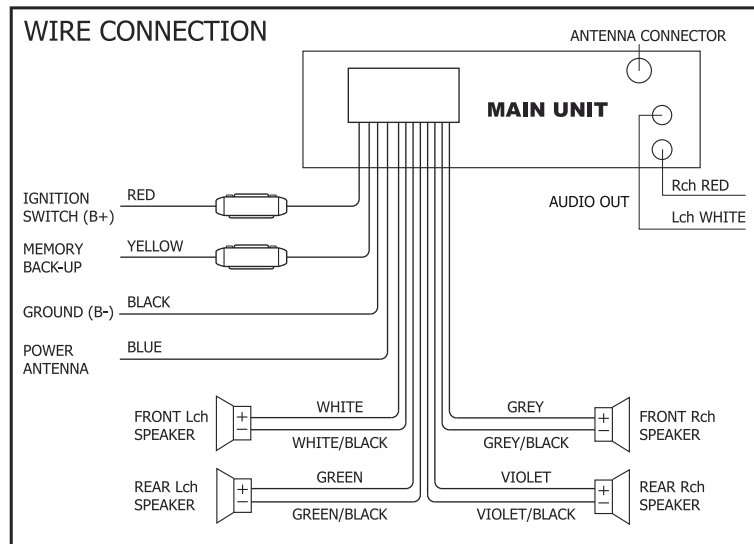
Fastening the unit to the factory radio mounting bracket.

1. Select a position where the screw holes of the bracket and the screw holes of the main unit become aligned (are fitted), and tighten the screws at 2 places on each side. Use either truss screws (5 x 5mm) or flush surface screws (4 x 5mm), depending on the shape of the screw holes in the bracket.
2. Screw
3. Factory radio mounting bracket
4. Dashboard or Console
5. Hook (Remove this part)

NOTE: The mounting box, outer trim ring, and half-sleeve are not used for method B installation.

## 02 ADDITIONAL INFORMATION

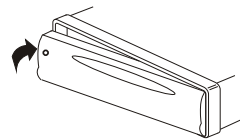
### WIRING CONNECTION DIAGRAM



### HOW TO INSTALL AND REMOVE THE FRONT PANEL

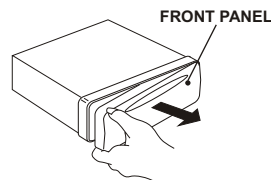
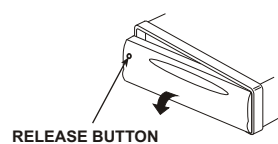
#### INSTALLING THE FRONT PANEL

To install the front panel, insert the panel into the housing and make sure the panel is properly installed, otherwise, abnormalities occurs on the display or some keys will not function properly.



#### REMOVING THE FRONT PANEL

Press the release button and pull-off the front panel, keep front panel into the case.



## 05 MP3 OPERATIONS

### SEARCH FUNCTIONS (TRACK SEARCH EXAMPLE)

**How to search for track number "131", titled "WXY.MP3"?**

- 1) Press **BAND/SEARCH button (10)** to go in to search initial mode. It is now in TRACK search mode. Then LCD displays first digit, "001".
- 2) Press **SEL/MENU/ENT button (3)** to select 1st digit "1", then LCD will shows "010" and 1st digit "1" is selected. (If **SEL/MENU/ENT button (3)** is pressed for more than 0.5 sec, the first song is played.)
- 3) Then press **MENU Up button (4)** 3 times, then 2nd digit will increase according to the number of times key is pressed.
- 4) If LCD shows "013", then press **SEL/MENU/ENT button (3)** again and the 2nd digit is selected. LCD will show "130". (If **SEL/MENU/ENT button (3)** is pressed for longer than 0.5 sec, 13th song is played.)
- 5) Third digit "0" is displayed instead of the second digit. Then press **Vol Up button (4)** 2 times to select 3rd digit to "2".
- 6) Press **SEL/MENU/ENT button (3)** and enter "132" then LED will show as "132", then a track number is selected and ready to be played.
- 7) Finally press **SEL/MENU/ENT button (3)**, then track number "132" will play immediately.
- 8) **MENU Up button (4)** or **MENU Down button (5)** performs to shift 1st digit from 1~9 loop rotation, then the 2nd and 3rd digit is shifted from 0~9 as a loop rotation.

## 05 MP3 OPERATIONS

### BASIC OPERATIONS

#### MP3 SEARCH MODES

MP3 Track, File and Character search is possible by using **BAND/SEARCH button (10)**; During MP3 operation, press **BAND/SEARCH button (10)** to several seconds to select TRACK mode, FILE mode or CHARACTER mode.

Directory, File, Song, Album, Artist Name display is possible by using **BAND/SEARCH button (10)**. Name display appears in order from left side of the LCD and any time **DISP button (9)** is pressed, current playing time will be displayed.

#### DIRECTORY

Directory: 1000 Max  
 Directory Level: 8 Level Max  
 Tracks: 1000 Max

#### BIT RATE

MPEG1:  
 All MPEG/VBR (44.1KHz)  
 MPEG2:  
 All except 8kbps/VBR (44.1&22.05KHz)

#### ANTI-SHOCK

120 sec MAX (128kbit/s)

#### CHARACTER SUPPORTED

English Capital Letters: A~Z  
 Arabian Numbers: 0~9  
 Special Char.: " , ' ( ) \* , + , - , . /

#### SEL/MNU/ENT (ENTER)

Used for enter track, file and character search during MP3 mode after **BAND/SEARCH button (10)** is pressed for several seconds.

During track search, after selecting the desired track with 1 digit or 2 digits, selected song begins to play after **SEL/MENU/ENT button (3)** is pressed for longer than 0.5 sec.

During file search, when **SEL/MENU/ENT button (3)** is pressed for longer than 0.5 sec. at the current directory mode, first song in the corresponding dir. Will begin playing.

During character search, when **SEL/MENU/ENT button (3)** is pressed for longer than 0.5 sec. After the manual input song name is selected, the current inputted song will begin playing or indicate "NOT FND" on the display.

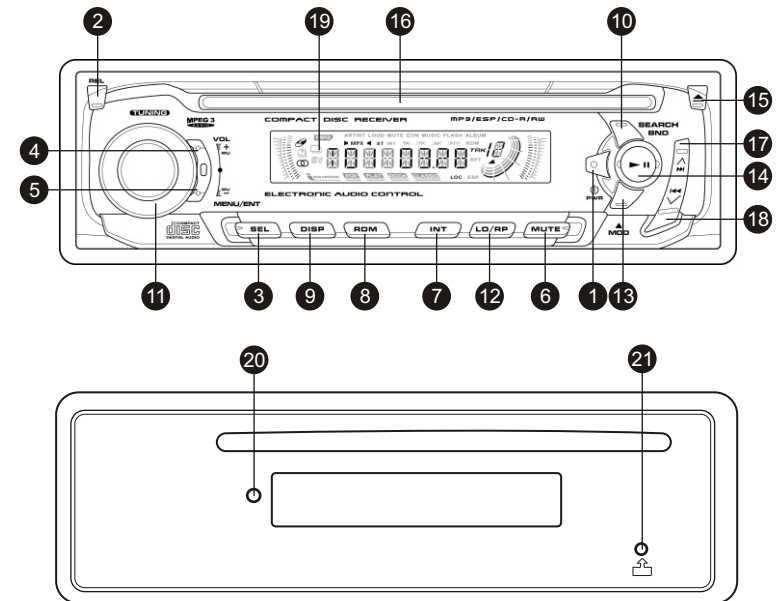
#### VOL/MU + and VOL/MU -

During MP3 operation, press **BAND/SEARCH button (10)** for several seconds to select TRACK, FILE or CHARACTER search, and using the **MENU UP (4)** or **MENU DOWN (5)** button to move TRACK, FILE or CHARACTER search upward or downward.

NOTE: Skip Tracks, Repeat, Random and Play the first track functions are also available for MP3 playback.

## 03 GENERAL OPERATIONS

### FRONT PANEL LAYOUT



### GENERAL OPERATIONS

#### ON/OFF

Switch on the unit by pressing any button (except **Eject button (2)** and **Tuning Knob (11)**) Press and hold **Power button (1)** for 2 seconds to turn it off. When the unit turn off, the display can show the clock time.

#### VOLUME/MENU

Press the **Vol Up (4)** or **Vol Down button (5)** to adjust volume level. In menu mode, press the **Vol Up (4)** or **Vol Down button (5)** also can adjust the selected mode.

#### LISTENING MODE

Press **MOD button (13)** to choose desired listening mode. (eg. from radio mode to CD/MP3 mode)

#### MUTE

Press **MUTE button (6)** to mute down the sound. Press it again to release this mode and recover previous volume level.

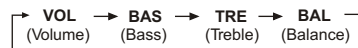
## 03 GENERAL OPERATIONS

### SET THE CLOCK

Press **DSP button (9)** to recall clock time display, then press and hold this button for several seconds until the time is blinking. And press **Vol Up button (4)** to adjust hours and **Vol Down button (5)** to adjust minutes.

### SELECT MENU/MODE

Press **SEL button (3)** to move display through Volume, Bass, Treble, Balance and Fader (opt.) functions. Use **Vol Up (4)** and **Vol Down (5) buttons** to adjust the selected mode. When mode has not been adjusted for several seconds, display returns to normal radio or CD display.



When switching modes with **SEL button (3)**, "Bass" and "Treble" will not be shown if any EQ mode has been enabled.

### VOLUME

Press **SEL button (3)** for 1 time. Adjust volume level by using **VOL Up (4)** and **VOL Down (5) buttons**.

### BASS

For 2 times. Adjust bass level by using **VOL Up (4)** and **VOL Down (5) buttons**.

### TREBLE

For 3 times. Adjust treble level by using **VOL Up (4)** and **VOL Down (5) buttons**.

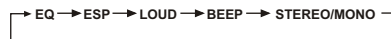
### BALANCE

For 4 times. Adjust sound balance between left and right speakers by using **VOL Up (4)** and **VOL Down (5) buttons**.

### FADER (optional)

For 5 times. Adjust sound balance between front and rear speakers by using **VOL Up (4)** and **VOL Down (5) buttons**.

Press and hold **SEL/MENU button (3)** for one second to move display through "EQ, ESP, Loud, Beep, Stereo/Mono". When mode has not been adjusted for several seconds, display return to normal radio or CD mode.



And then use **VOL Up (4)** and **Vol Down (5) buttons** to adjust the selected mode as follows:

EQ: **POP, ROCK, CLASSIC, FLAT, DSP OFF**

ESP: **ESP 12' or ESP 45'**

Loud: **Loud On or Loud Off**

Beep: **Beep On or Beep Off**

Stereo/Mono: **Stereo or Mono**

### LIQUID CRYSTAL DISPLAY

The **LCD (19)** can show the current state of the unit.

### FRONT PANEL RELEASE

Press **REL button (2)** to detach the removable front panel.

### FLASHING LED

If the front panel is not on the main unit, **LED (20)** will be flashing.

### RESET BUTTON FUNCTION

**RESET button (21)** is placed on the housing and must be activated with either a ballpoint pen or thin metal object. The **RESET button (21)** is to be activated for the following reasons:

- Initial installation of the unit when all wiring is completed.
- All the function buttons do not operate.
- Error symbol on the display.

## 04 RADIO & CD OPERATIONS

### RADIO OPERATIONS

#### BAND

Press **BAND button (10)** to change bands as below:



#### SELECT STATION

Rotate **TUNING knob (11)** clockwise or anticlockwise to adjust the frequency upward or downward.

### CD OPERATIONS

#### DISC PLAY

Gently insert a CD with the label side facing up into the **Disc Slot (16)**. The CD is then automatically loaded into the unit and starts playing with the first track of the disc. The digital display will indicate the track number and the time of the track.

#### EJECT

Press **Eject button (15)** to stop CD playback and eject CD from the slot. Receiver switches to radio operation.

#### PLAY THE FIRST TRACK

Press and hold **Play/Pause button (14)** for several seconds to play the first track of the current disc.

#### PAUSE CD

Press **Play/Pause button (14)** to temporarily stop the playback. Press it again to resume playback.

#### SKIP TRACKS

Press **Track Forward button (17)** or **Track Reverse button (18)** to choose the following track or the previous track. Track numbers will be shown on display.

#### LOCAL/DISTANT

Press the **LOC button (12)** to select between local setting for reception of strong station and distant setting for reception of weak station when tuning. This function operates in FM band only.

#### FAST FORWARD/FAST REVERSE

Hold **Track Forward button (17)** or **Track Reverse button (18)** for several seconds to fast forward or fast reverse. Releasing the button to stop fast forward and fast reverse playback.

#### REPEAT

Press **RPT button (12)** to continuously repeat playing the current track. Press it again to cancel the function.

#### INTRO: PREVIEW ALL TRACKS

Press **INT button (7)** to play first several seconds for each track. Press it again to stop intro and back to normal playback.

#### RANDOM: RANDOM TRACKS PLAYBACK

In CD playback mode. Press **RDM button (8)** to play all tracks in the random order. Press it again to cancel the function.



## Free Manuals Download Website

<http://myh66.com>

<http://usermanuals.us>

<http://www.somanuals.com>

<http://www.4manuals.cc>

<http://www.manual-lib.com>

<http://www.404manual.com>

<http://www.luxmanual.com>

<http://aubethermostatmanual.com>

Golf course search by state

<http://golfingnear.com>

Email search by domain

<http://emailbydomain.com>

Auto manuals search

<http://auto.somanuals.com>

TV manuals search

<http://tv.somanuals.com>