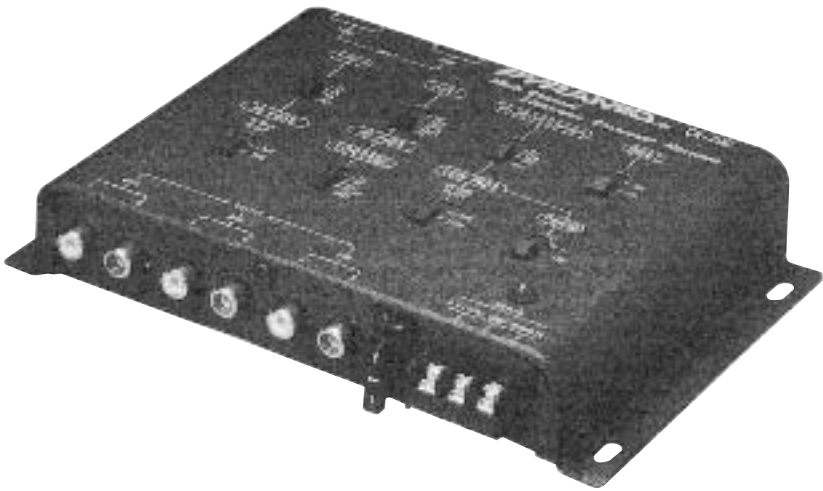


# **PYRAMID<sup>®</sup> USA**

## **Gold Series**

*HIGH PERFORMANCE CAR AUDIO*

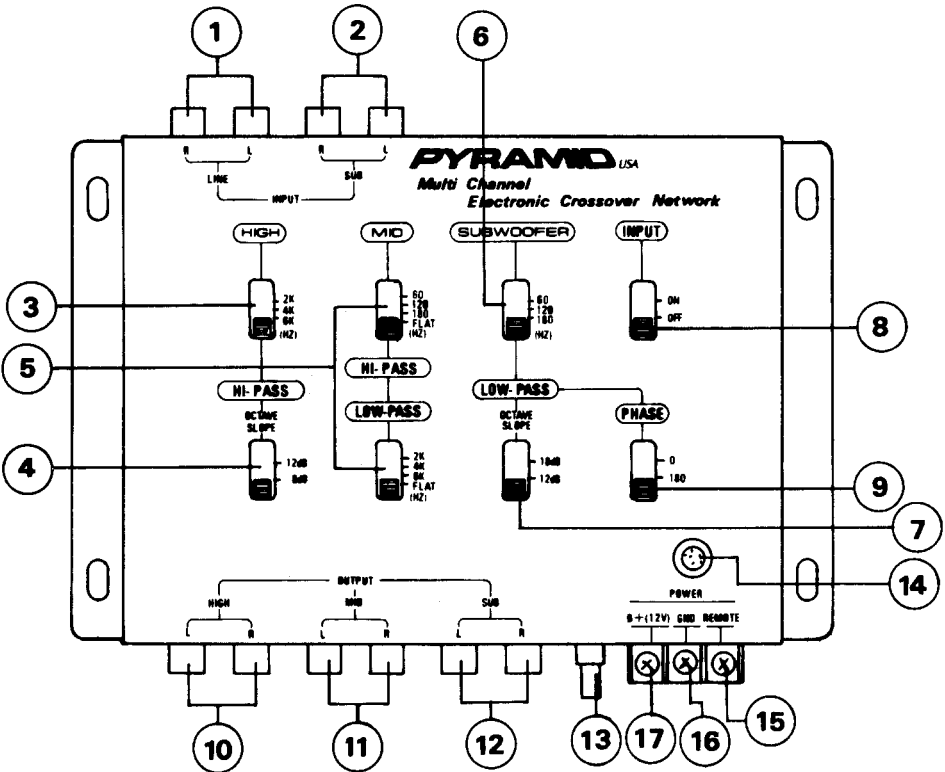


*MODEL: CR-79G*  
*ELECTRONIC CROSSOVER*  
*NETWORK SYSTEM*

**FEATURES:**

The CR-79G is an 6 channel crossover system (3 channel stereo), 2-channel network (1 band pass and 1 high pass channels) for output and a 1-channel network for the subwoofer.

The CR-79G is created to help the car stereo audiophile to install a multi-amp system with extreme ease while still allowing for the most sophisticated settings available in a high end installation.



(FIG. 1)

### **1. LINE INPUT PORT**

Input the faded signal from sound source into here VIA RCA cable.

### **2. SUBWOOFER CHANNEL INPUT PORT**

Input the subwoofer faded signal from sound source into here VIA RCA cable. If your sound source does not have a subwoofer output, the subwoofer output of this unit is still operational.

### **3. HIGH CROSSOVER POINT SELECTOR**

Controls the high output frequency at 2K, 4K, or 6K Hz.

### **4. HIGH OCTAVE SLOPE SELECTOR**

Selects the high output octave slope at 12dB or 8dB.

### **5. MIDDLE CROSSOVER POINT SELECTOR (HI-PASS,LO-PASS)**

The Hi-pass frequency (60/120/180 Hz) Should match the Subwoofer crossover point; the LO-pass frequency(2K/4K/6K) should match the high crossover point.

### **6. SUBWOOFER LOW**

#### **CROSSOVER POINT SELECTOR**

Controls the subwoofer low output frequency at 60, 120 or 180 Hz.

### **7. SUBWOOFER LOW OCTAVE SLOPE SELECTOR**

Selects the subwoofer low output octave slope at 18dB or 12dB.

### **8. SUBWOOFER INPUT SWITCH**

When your car radio has subwoofer output to connect the unit's subwoofer input slide the switch to the "OFF" position.

If your car radio only has line output to connect the unit's line input; slide the switch to the "ON" position.

### **9. PHASE SHIFTER SELECTOR**

Allows you to change the phase of your subwoofer from 0 degree to 180 degrees to help compensate from timing differences between drivers.

### **10. HIGH CHANNEL OUTPUT PORT**

Connect the RCA cable to the amplifier input for tweeter amplifier.

## **11. MIDDLE CHANNEL OUTPUT**

### **PORT**

Connect the RCA cable to the amplifier input for midrange amplifier.

## **12. SUBWOOFER CHANNEL**

### **OUTPUT PORT**

Connect the RCA cable to the amplifier input for subwoofer amplifier.

## **13. FUSE HOLDER**

The specification of the fuse is 1 A, do not overload.

## **14. POWER ON INDICATOR**

The LED lights up when the unit is powered on.

## **15. REMOTE WIRING**

Connect an orange wire to remote activating (12V DC) wire of car stereo or equalizer.

## **16. GND WIRING**

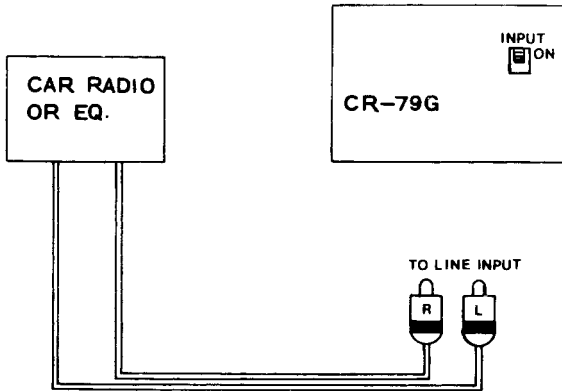
Connect a black wire (at least 10-12 gauge) to the car chassis for ground connection.

## **17. B+ WIRING**

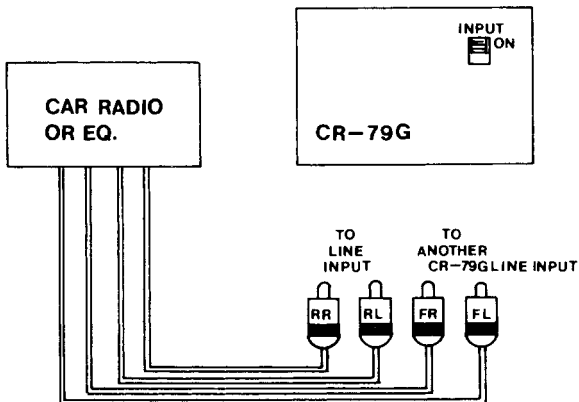
Connect a red wire (at least 10-12 gauge) to the car battery or other power source.

## INPUT CONNECTIONS

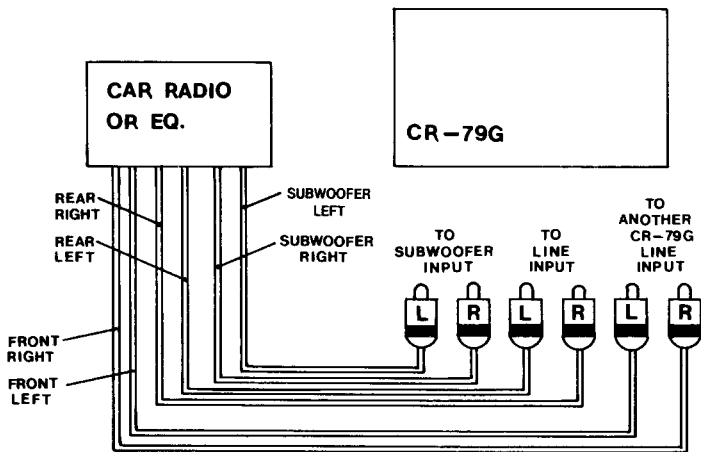
### 1. CAR RADIO OR EQUALIZER HAS ONE SET OF OUTPUTS (FIG. 2)



### 2. CAR RADIO OR EQUALIZER HAS TWO SETS OF OUTPUTS (FIG. 3)

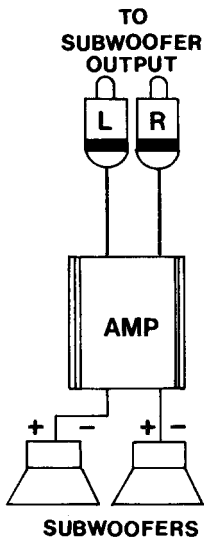
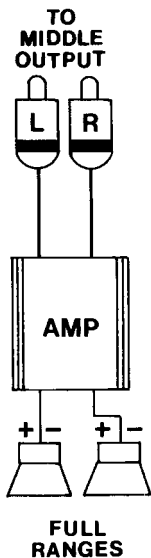
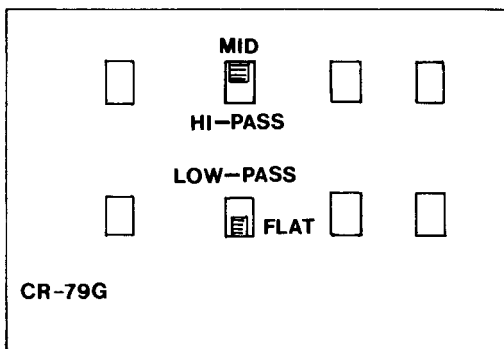


### 3. CAR RADIO OR EQUALIZER HAS THREE SETS OF OUTPUTS (FIG.4)

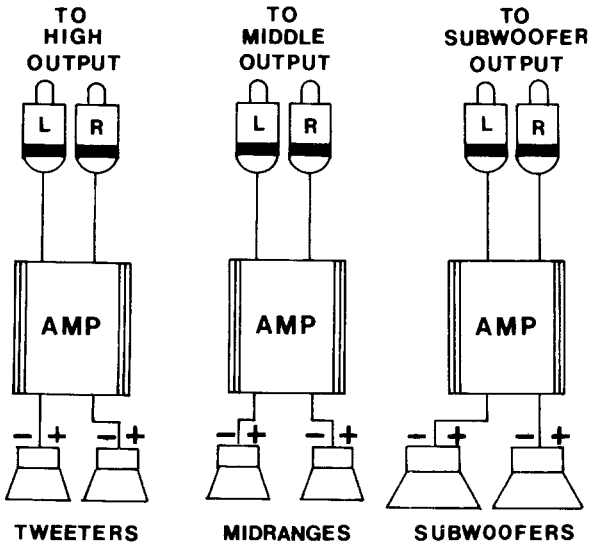
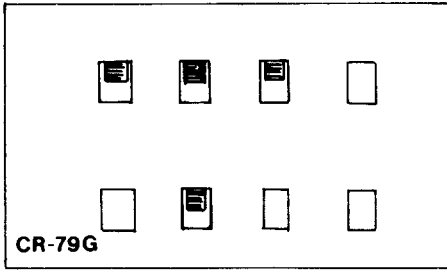


# OUTPUT CONNECTIONS

## 1. SYSTEM 1: 2-SPEAKER AND 2-AMP SYSTEM (FIG. 5)

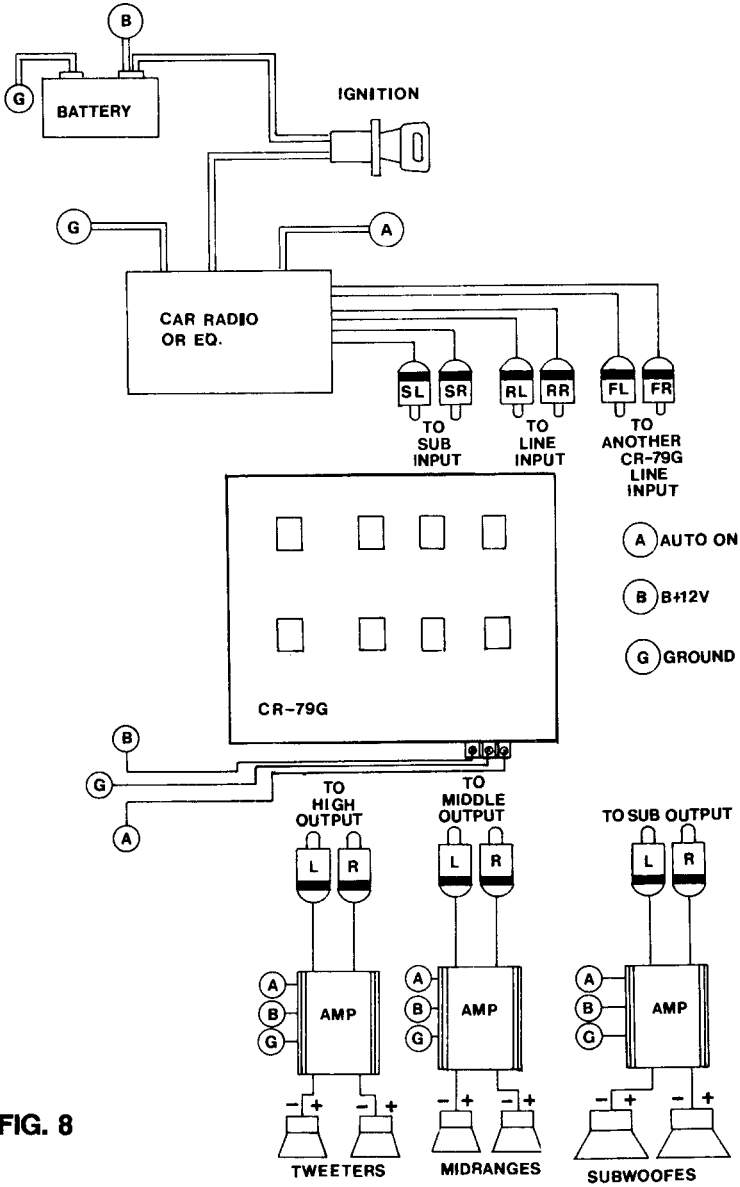


## 2. SYSTEM 2: 3-SPEAKER AND 3-AMP SYSTEM (FIG. 6)





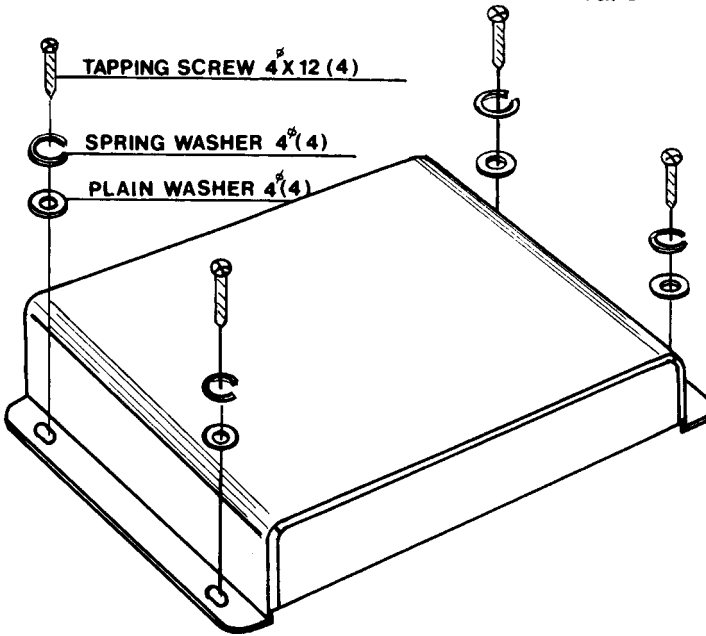
# ELECTRICAL WIRING CONNECTIONS:



**FIG. 8**

## INSTALLATION

FIG. 9



## SPECIFICATIONS:

Input Current.....	1 amp max.
Power Supply.....	10-16V DC negative ground
S/N Ratio.....	More than 98dB
Distortion.....	0.005% T.H.D. at 1KHz 0.005% I.M. at 1 KHz
Crossover Frequency	
Subwoofer.....	60, 120, 180 Hz
Middle.....	60, 120, 180 Hz, FLAT 2K, 4K, 6K Hz, FLAT
High.....	2K, 4K, 6K Hz
Crossover Slope, Rate	
Subwoofer.....	18dB/Oct or 12dB/Oct
High.....	12dB/Oct or 8dB/Oct
Dimensions.....	180 X 120 X 32 mm W.D.H.

## PRODUCT WARRANTY

PYRAMID SOUND CORP. warrants this product to be free from defective material or factory workmanship and will repair this unit or any part thereof if it proves defective in normal use or service within 2 years from date of original purchase. This warranty is to the initial owner of the product and cannot be transferred. Our obligation under this warranty is limited to repairing the defective instrument or any part thereof when it is returned transportation prepaid to PYRAMID SOUND CORP. This warranty will be considered null and void if unit is tampered with, improperly serviced or subject to misuse, negligence or accidental damage. No unit will be accepted for warranty service if not accompanied by a receipt marked paid in full and a copy of this warranty card.

When returning for free warranty service, please include \$10.00 with unit to cover return postage and insurance. You must include a note detailing trouble you are having with the unit. The unit will be returned to you in the same cosmetic condition as it was received by us. Keep the packaging material that this unit came with and pack unit in it when returning for warranty service. The unit can be returned to any of the following locations:

### PYRAMID SOUND CORP.

150160 Street  
Brooklyn, NY 11219

11019 Penrose Street  
Sun Valley, CA91352

8100 River Dr.  
Morton Grove, IL 60053

Please allow 4 weeks from the date of arrival for the unit to be returned to you. In most cases we will have the unit back to you way before this time limit. Out of warranty service is available at additional cost.

Model Number:CR-79G

Serial Number:  
Found on bottom plate of unit

Date Purchased:

Be sure to include a copy of this warranty with you paid receipt when returning item for free warranty service!



## Free Manuals Download Website

<http://myh66.com>

<http://usermanuals.us>

<http://www.somanuals.com>

<http://www.4manuals.cc>

<http://www.manual-lib.com>

<http://www.404manual.com>

<http://www.luxmanual.com>

<http://aubethermostatmanual.com>

Golf course search by state

<http://golfingnear.com>

Email search by domain

<http://emailbydomain.com>

Auto manuals search

<http://auto.somanuals.com>

TV manuals search

<http://tv.somanuals.com>