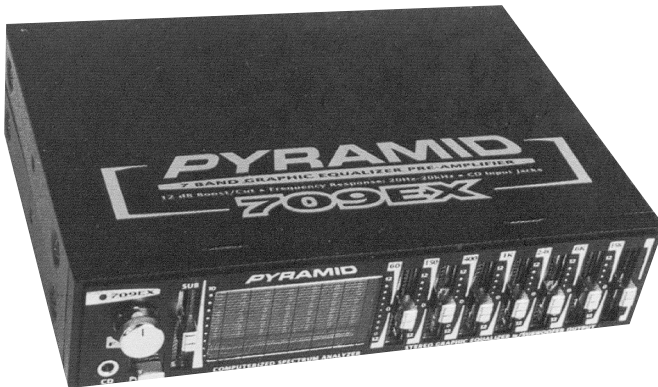


PYRAMID[®] **Gold Series** **OWNER'S** **MANUAL**

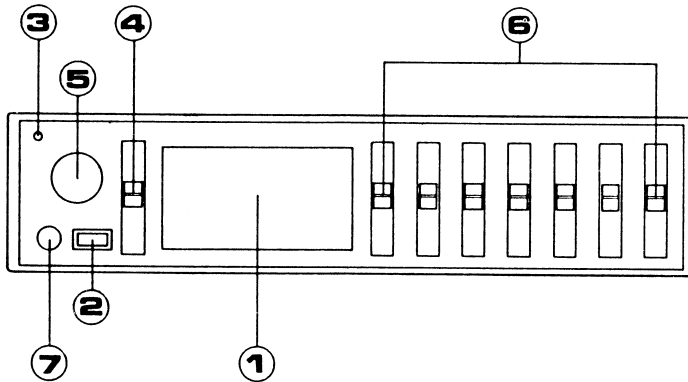


MODEL: 709EX
7 Band Controls Stereo
Graphic Equalizer With
Spectrum Analyzer
Pre-Amplifier

FEATURES

- 7-BAND GRAPHIC EQUALIZER CONTROL
- FRONT/REAR FADER CONTROL
- SUBWOOFER OUTPUT LEVEL CONTROL
- CD INPUT JACK
- SPECTRUM ANALYZER
- POWER ON/OFF SWITCH
- HIGH OR LOW IMPEDANCE INPUT
- HIGH IMPEDANCE OUTPUT
- SUBWOOFER FREQUENCY CROSSOVER SELECTOR

Controls



- | | |
|--------------------------|-----------------------------------|
| 1. LED SPECTRUM DISPLAY | 2. POWER ON/OFF AND BYPASS SWITCH |
| 3. POWER LED LAMP | 4. SUBWOOFER LEVEL CONTROL |
| 5. SPEAKER FADER CONTROL | 6. EQUALIZER CONTROL |
| 7. CD INPUT JACK | |

OPERATION

1. SPECTRUM BARGRAPH DISPLAY

The spectrum bargraph display consists of eight LED arrays of 7 LED's an array (a total of 56 LED's) to show output level from mixing of left and right channel's input signal by frequency. The output level is calibrated in 3 dB increments from -15 dB to +3 dB for visual monitoring signal level by frequency.

2. POWER SWITCH

Press the power switch and the equalizer will be on by lighting the PANEL LAMP.

3. POWER LED LAMP

When press the power switch the power LED lamp will be lighted

4. SUBWOOFER LEVEL CONTROL

Allows adjustment of appropriate subwoofer sound level for a particular tape or broadcast source.

5. FADER CONTROL

A) DUAL AMPLIFIER 4-SPEAKER SYSTEM

Rotating the knob to the FRONT side brings up the level of the FRONT speakers.

Rotating to the REAR side brings up the level of the REAR speakers. At mid position, both sets of speakers are at maximum level.

B) 2-SPEAKER SYSTEM

The fader control knob should be turned to the end position which provides the loudest sound for using both sets of speakers.

6. EQUALIZER CONTROL

The 709EX has 7-bands of frequency control (60Hz, 150Hz, 400Hz, 1KHz, 2.4KHz, 6KHz, 15KHz) attenuated by individual sliders.

The center detent position represent 0dB boost. By sliding the slider up or down you can either increase (UP) or decrease (DOWN) the amount of boost by 12dB.

7. COMPACT DISC INPUT JACK (3.5mm)

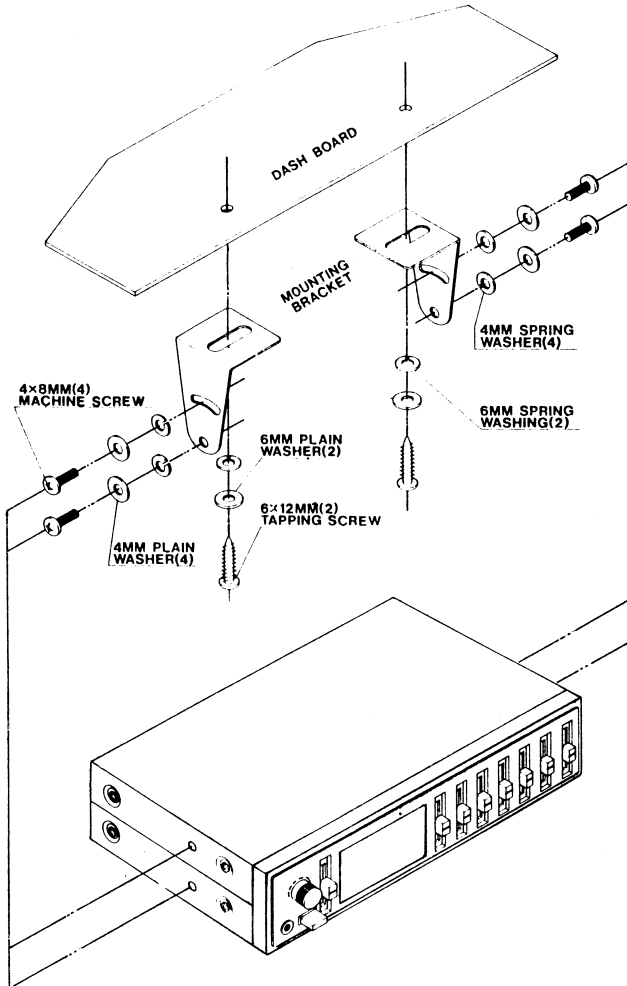
Connect your portable CD player to the CD input JACK on the front panel by a stereo path cord with a stereo mini plug at both ends. Turn on your CD player and then turn on the equalizer.

8. SUBWOOFER FREQUENCY CROSSOVER

The three position switch on the rear side of the unit adjusts the crossover point for your subwoofer system. The 709EX features separate dual RCA outputs for the subwoofer channel so that the subwoofers can run on a separate amplifier or separate channels of a multi-channel amplifier.

The crossover switch is adjustable to either 80, 120 or 160Hz. Depending on your subwoofer frequency response adjust this switch to the proper setting.

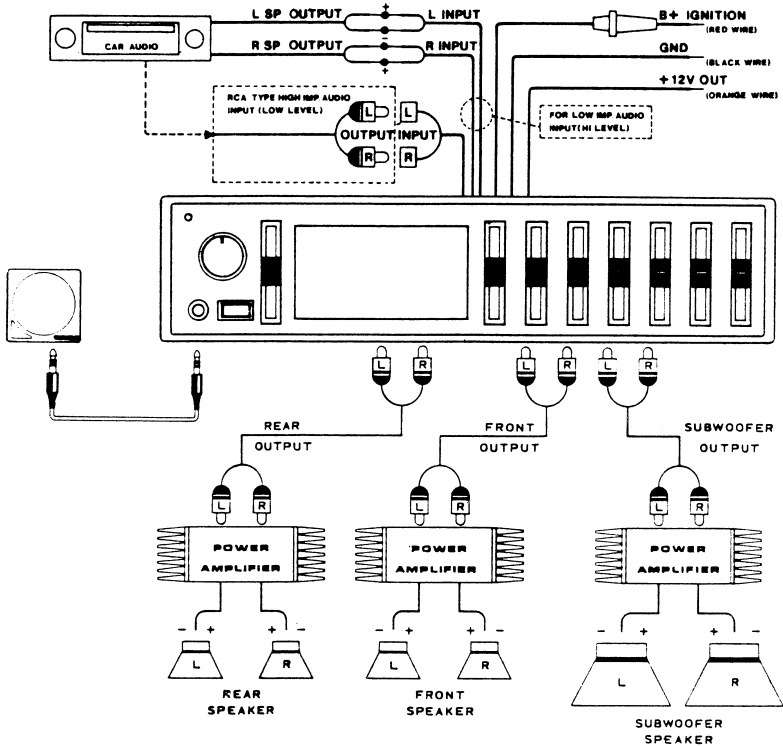
INSTALLATION:



ELECTRICAL CONNECTIONS

There are two types of inputs that the 709EX accepts.

1. Low Level High Impedance RCA Jacks.
2. High Level Low Impedance Speaker Line Inputs.



SPECIFICATIONS:

1. Input Impedance 10K Ohm
2. Control Frequencies 60, 150, 400, 1K, 2.4K, 6K, 15KHz
3. Control Ranger ± 12 dB boost or cut
4. Frequency crossover point 80/120/160Hz
5. Frequency Response 20-20KHz
6. Signal to Noise Better than 85dB (A-Wtd)
7. Input Sensitivity for 400mV Output 200mV
8. Power Requirement 11-16 volts negative GND
9. Subwoofer Crossover 12dB Octave Slope 2nd Order
Butterworth
10. Distortion Less than 0.05%
11. Dimensions 180X42X128mm (W.H.D)

NOTES

Free Manuals Download Website

<http://myh66.com>

<http://usermanuals.us>

<http://www.somanuals.com>

<http://www.4manuals.cc>

<http://www.manual-lib.com>

<http://www.404manual.com>

<http://www.luxmanual.com>

<http://aubethermostatmanual.com>

Golf course search by state

<http://golfingnear.com>

Email search by domain

<http://emailbydomain.com>

Auto manuals search

<http://auto.somanuals.com>

TV manuals search

<http://tv.somanuals.com>