



MODEL: QSDS4936D

## IR Waterproof Varifocal Digital Color CCD Dome Camera



CCTV SYSTEM

www.q-see.com

### WARNING

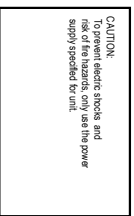
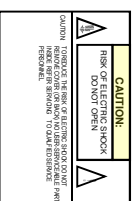
To prevent fire or shock hazard do not expose the insides of the unit to rain or moisture.

The symbol alerts the user to the presence of important operating and maintenance issues according to the manual.

This symbol alerts the user to the presence of uninsulated dangerous voltage within the product's enclosure that may be of sufficient magnitude to constitute a risk of electric shock.

SA 1966

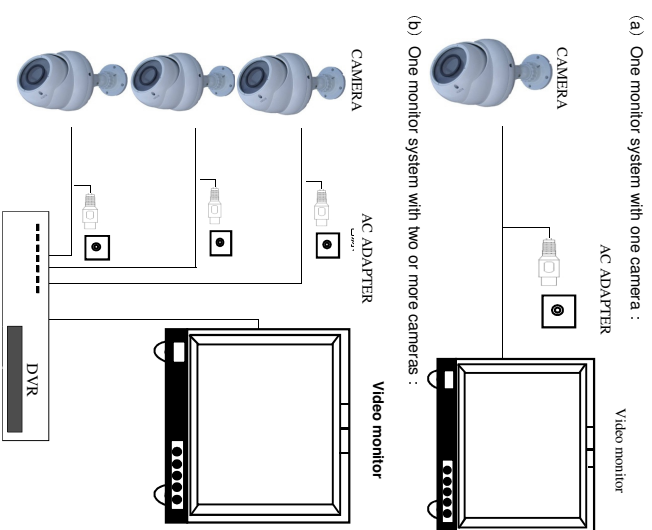
SA 1965



**Warning-** This equipment has been tested and found to comply with the limits for a Class A digital device. These limits are designed to provide reasonable protection against harmful interference when the equipment is operated in a commercial environment. This equipment generates, uses, and can radiate radio frequency energy and, if not installed and used in accordance with the instruction manual, may cause harmful interference to radio communications. Operation of this equipment in a residential area is likely to cause harmful interference in which case the user will be required to correct the interference at his own expense.

**Caution**  
Any changes or modifications in construction of this device which are not expressly approved by the party responsible for compliance could void the users' authority to operate the equipment.

### C. CONNECTION :



### D. SPECIFICATIONS :

Image Sensor	COLOR 1/3" SONY CCD
Effective Pixels	NTSC:811(H) 508(V) PAL:795(H) 596(H)
Horizontal Resolution	600TVL
Sync System	Internal
Scanning system	Interface 2:1
Electronic Shutter	NTSC: 1/60s~1/100000s
White Balance	ON/OFF
Gamma	0.45
S/N Ratio	≥52dB
Video Output	1.0Vp-p 75Ω BNC
Usable Illumination	0L lux(When IR LEDs on)
waterproof level	IP66
IR LEDs Wavelength	850NM
IR LEDs Distance	About 21m (70ft)
IR LEDs Amount	φ5 LED 36pcs
IR LEDs Auto ON/OFF	Day/Night
AGC	On/OFF
BLC	On/OFF
Lens	Manual 4.3mm
Power Supply	DC12V 800mA
Power Consumption	<5.5W(When IR LEDs on)
Operating Temp	-10°C~+50°C (14 F to 122 F) RH 95% Max
Weight	About 95g

### A. PRECAUTIONS :

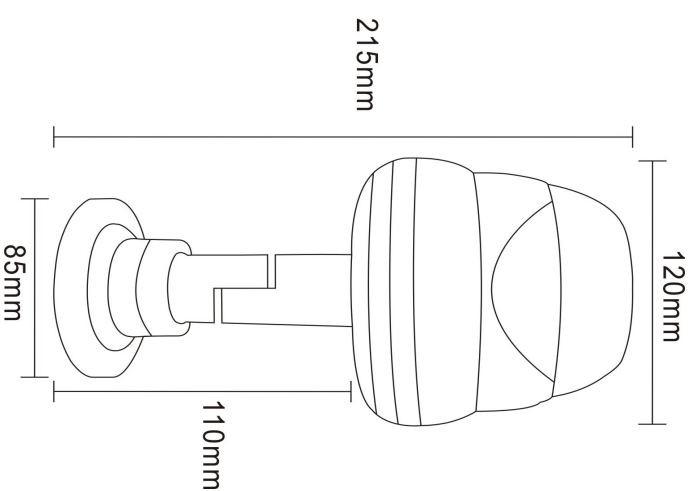
- Do not attempt to disassemble the camera.**  
To prevent electric shock, do not remove screws or covers. There are no user serviceable parts inside. Ask a qualified service person for servicing.
- Handle the camera with care.**  
Do not abuse the camera. Avoid hitting, shaking, etc. The camera could be damaged by improper handling or storage. **Do not use strong or abrasive detergents when cleaning the camera body.**  
Use a dry cloth to clean the camera when dirty. In case the dirt is hard to remove, use a mild detergent and wipe gently.
- Do not use the camera beyond the prescribed voltage range.**  
Ensure the input power source voltage is conforms to the local city voltage. Higher voltage could fuse the power supply. Lower voltage could cause abnormal performance.
- Do not aim strong light directly into the camera. It will prevent the camera from producing effective video.**

### B. FEATURES :

**THIS CCTV COLOR CCD CAMERA** introduces advanced CCD and digital technology, and offers customers a high quality and high resolution picture.

- The shell uses high-quality aluminum material
- The surface uses a high preservative adhesive
- All seams are air tight (Suitable for outdoors and wet weather)
- Has a high-resolution 1/3" CCD image sensor with image resolution of 600TVL
- The high performance digital-processing chip greatly improves the signal-to-noise ratio and distortion
- Automatic white balance function enables the camera to produce correct and nature colors in any light conditions, indoor or outdoor, by automatically adjusting the white balance point.
- The illumination distance referred to in this manual is indoor night view distance. The infrared transmission will be affected if there is high humidity or smoke in the air. Naturally the viewable distance will be shortened and the night view effect will be reduced when the objects are lawn, trees or anything without reflecting ability.
- Ceiling or wall installation.
- Camera cable runs through bracket
- Vandalsproof

### E. DIMENSIONS :



### TRADEMARKS

All brand names and products are Registered Trademarks of their respective Companies.

### LEGAL DISCLAIMER

See warning on rear cover.

### DISCLAIMER

The information in the document is subject to change without notice. The manufacturer makes no representations or warranties with respect to the contents hereof and specifically disclaims any implied warranties of selling or functionality for any particular purpose.

**Warning:** Your security camera is digital quality product. You have to take utmost care while handling this product. In order to ensure its reliability & durability.

Digital Peripheral Solutions Inc.  
8015E Crystal drive,  
Anaheim, CA 92807,  
1-877-998-3440.

Q-See tech support in U.S.A.  
Mon-Fri: 9 am 6 pm PST.  
TEL : 1-877-998-3440  
E-mail : [ls@dpsl-usa.com](mailto:ls@dpsl-usa.com)  
Website: [www.q-see.com](http://www.q-see.com)



## Free Manuals Download Website

<http://myh66.com>

<http://usermanuals.us>

<http://www.somanuals.com>

<http://www.4manuals.cc>

<http://www.manual-lib.com>

<http://www.404manual.com>

<http://www.luxmanual.com>

<http://aubethermostatmanual.com>

Golf course search by state

<http://golfingnear.com>

Email search by domain

<http://emailbydomain.com>

Auto manuals search

<http://auto.somanuals.com>

TV manuals search

<http://tv.somanuals.com>