

**MD-F122/64r | MD-F122/94r | MD-F122/124r | MD-F152/64r
MD-F152/94r | MD-F152/124r | MD-L115 | MD-L118**



Features

- All full range models feature a rotatable high-frequency horn, enabling them to be utilized in a vertical or horizontal configuration
- Available in either black or white finishes
- All full range and low-frequency enclosures employ the same overall dimensions and identical attachment point locations
- All models constructed in a trapezoidal design of multi-ply birch with a powder coated steel grille

The ModularDesign™ Series offers exceptional performance in a wide variety of applications, including houses of worship, performing arts facilities, hotels, casinos, night clubs, and sporting facilities. Specifying MD Series is appropriate anywhere there is a need for dependable high performance loudspeakers with predictable coverage and extended frequency response. For design/build contractors and electroacoustic design consultants, the MD Series offers an effective solution to the myriad of challenges encountered in the design and implementation of permanently installed sound reinforcement systems.

Designed as a family of modular, arrayable loudspeakers, the full-range MD family includes six models: three models with 12" LF sections, and three with 15" LF sections. Nominal coverage patterns of 60° x 40°,

90° x 40° and 120° x 40° are available with either low-frequency complement. In addition, two low-frequency only MD systems, the MD-L115 and MD-L118, share the common form factor of the full-range systems. All share the same 35" tall, 30° trapezoidal enclosure as their MD Powered Series counterparts.

The form factor common to all MD loudspeaker models makes creating full range or combined full range/low-frequency clusters painless. The enclosures are designed with 30° angles; wall-to-wall tight packing enclosures splay the 60° x 40° horns perfectly and provide uniform coverage in any multiple of 60° to 360°. No gaps or spacers are required and the radial form of the front surface of the enclosures forms a contiguous cylindrical surface for a clean and aesthetically pleasing appearance.

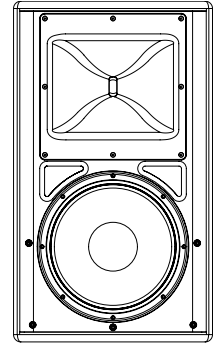
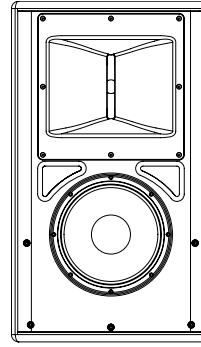
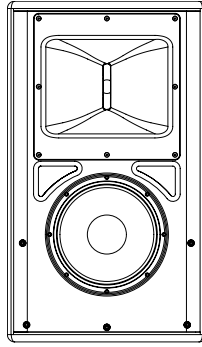
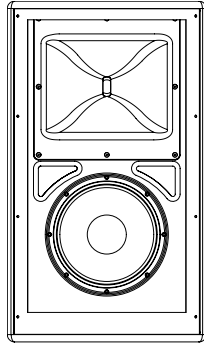
Each enclosure is equipped with a total of fifteen 3/8"-16 threaded attachment points offering the installer tremendous flexibility in suspension and mounting.

Low-frequency transducers feature technically advanced 4" voice coils assembled with proprietary high temperature adhesives, vented magnet assemblies and highly optimized motor design to provide excellent dynamic range, flat frequency response and a very low distortion figure.

High-frequency compression drivers feature a Neodymium magnet motor structure and 65 mm (2.5") aluminum voice coil and titanium diaphragm plus a pole piece mounted copper shorting cap for extended HF response.

ModularDesign is a trademark of QSC Audio Products, Inc.

MD Series Loudspeakers



MD-F122/64r

MD-F122/94r

MD-F122/124r

MD-F152/64r

Configuration	MD-F122/64r	MD-F122/94r	MD-F122/124r	MD-F152/64r
Low-frequency	12" transducer with 4" voice coil, ferrite magnet	12" transducer with 4" voice coil, ferrite magnet	12" transducer with 4" voice coil, ferrite magnet	15" transducer with 4" voice coil, ferrite magnet
High-frequency	60° x 40° rotatable horn with 1.4" exit dia., 2.5" voice coil, neodymium magnet	90° x 40° rotatable horn with 1.4" exit dia., 2.5" voice coil, neodymium magnet	120° x 40° rotatable horn with 1.4" exit dia., 2.5" voice coil, neodymium magnet	60° x 40° rotatable horn with 1.4" exit dia., 2.5" voice coil, neodymium magnet
Frequency Response (-6 dB) ¹	50 Hz - 18 kHz	50 Hz - 17 kHz	50 Hz - 15 kHz	50 Hz - 16.5 kHz
Frequency Range (-10 dB) ¹	45 Hz - 18.5 kHz	45 Hz - 20 kHz	45 Hz - 18 kHz	45 Hz - 18.5 kHz
Impedance				
Passive	8Ω	8Ω	8Ω	8Ω
Biamp	8Ω LF / 8Ω HF	8Ω LF / 8Ω HF	8Ω LF / 8Ω HF	8Ω LF / 8Ω HF
Sensitivity ²				
Passive	95 dB	95 dB	95 dB	96 dB
Biamp	95 dB LF / 110 dB HF	95 dB LF / 109 dB HF	95 dB LF / 107 dB HF	96 dB LF / 110 dB HF
RMS Power Handling				
Passive ³	400 W	400 W	400 W	400 W
Biamp ⁴	500 W LF / 63 W HF	500 W LF / 63 W HF	500 W LF / 63 W HF	500 W LF / 63 W HF
Maximum Output at 1 m				
Passive - Continuous ⁵	121 dB	121 dB	121 dB	122 dB
- Peak ⁶	127 dB	127 dB	127 dB	128 dB
Biamp - Continuous ⁵	122 dB LF / 128 dB HF	122 dB LF / 127 dB HF	122 dB LF / 125 dB HF	123 dB LF / 128 dB HF
- Peak ⁶	128 dB LF / 134 dB HF	128 dB LF / 133 dB HF	128 dB LF / 131 dB HF	129 dB LF / 134 dB HF
Recommended Amplifier Power				
Passive	800 W	800 W	800 W	800 W
Biamp	1000 W LF / 125 W HF	1000 W LF / 125 W HF	1000 W LF / 125 W HF	1000 W LF / 125 W HF
Nominal Coverage (-6 dB)	60° x 40°	90° x 40°	120° x 40°	60° x 40°
Enclosure				
Input Connectors	Terminal strips			
Suspension Points	15 load-rated attachment points that accept 3/8"-16 threaded hardware			
Finish	Wear resistant textured paint. Available in black and white (handles on black only)			
Grille	Powder-coated perforated steel with black foam backing			
Dimensions (HWD)	35" x 20.5" x 16.67" (889 mm x 521 mm x 423.4 mm)	35" x 20.5" x 16.67" (889 mm x 521 mm x 423.4 mm)	35" x 20.5" x 16.67" (889 mm x 521 mm x 423.4 mm)	35" x 20.5" x 16.67" (889 mm x 521 mm x 423.4 mm)
Weight	86 lbs (39 kg)	86 lbs (39 kg)	86 lbs (39 kg)	85 lbs (38 kg)

1) Free Field Response (4π)

2) 1W, 1M Free-Field (4π) except MD-L115 and MD-L118, which are groundplane measurements

3) Measured per AES1984

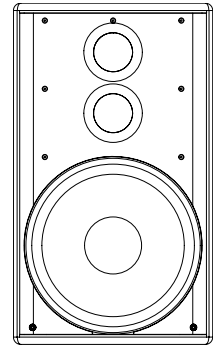
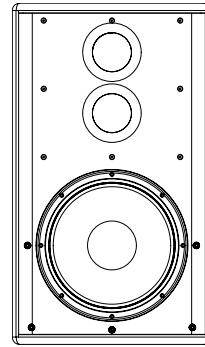
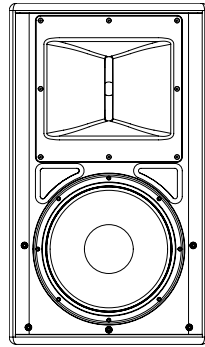
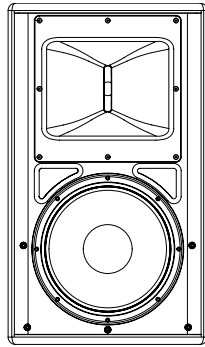
4) AES1984 50 - 500 Hz (LF), 1 - 10 kHz x (HF); Power = V² / Z_{min}

5) Calculated based on sensitivity and continuous power handling capacity

6) Calculated based on sensitivity and 6 dB peak-to-average ratio of signal used for continuous power handling test

Specifications subject to change without notice.

Specifications



MD-F152/94r

MD-F152/124r

MD-L115

MD-L118

Configuration	MD-F152/94r	MD-F152/124r	MD-L115	MD-L118
Low-frequency	15" transducer with 4" voice coil, ferrite magnet	15" transducer with 4" voice coil, ferrite magnet	15" long-throw woofer with 4" voice coil, aluminum demodulating ring	18" long-throw woofer with 4" voice coil, aluminum demodulating ring
High-frequency	90° x 40° rotatable horn with 1.4" exit dia., 2.5" voice coil, neodymium magnet	120° x 40° rotatable horn with 1.4" exit dia., 2.5" voice coil, neodymium magnet		
Frequency Response (-6 dB) ¹	50 Hz - 17 kHz	50 Hz - 17 kHz	48 Hz - 1.8 kHz	55 Hz - 2.2 kHz
Frequency Range (-10 dB) ¹	45 Hz - 20 kHz	45 Hz - 20 kHz	35 Hz - 1.9 kHz	45 Hz - 2.5 kHz
Impedance				
Passive	8Ω	8Ω	8Ω	8Ω
Biamp	8Ω LF / 8Ω HF	8Ω LF / 8Ω HF	–	–
Sensitivity ²				
Passive	96 dB	96 dB	96 dB	98 dB
Biamp	96 dB LF / 109 dB HF	96 dB LF / 107 dB HF	–	–
RMS Power Handling				
Passive ³	400 W	400 W	900 W*	900 W*
Biamp ⁴	500 W LF / 63 W HF	500 W LF / 63 W HF	–	–
Maximum Output at 1 m				
Passive - Continuous ⁵	122 dB	122 dB	125.5 dB	127.5 dB
- Peak ⁶	128 dB	128 dB	131.5 dB	133.5 dB
Biamp - Continuous ⁵	123 dB LF / 127 dB HF	123 dB LF / 125 dB HF	–	–
- Peak ⁶	129 dB LF / 133 dB HF	129 dB LF / 131 dB HF	–	–
Recommended Amplifier Power				
Passive	800 W	800 W	1800 W	1800 W
Biamp ¹	000 W LF / 125 W HF	1000 W LF / 125 W HF	–	–
Nominal Coverage (-6 dB)	90° x 40°	120° x 40°	–	–
Enclosure				
Input Connectors	Terminal strips			
Suspension Points	15 load-rated attachment points that accept 3/8"-16 threaded hardware			
Finish	Wear resistant textured paint. Available in black and white (handles on black only)			
Grille	Powder-coated perforated steel with black foam backing			
Dimensions (HWD)	35" x 20.5" x 16.67" (889 mm x 521 mm x 423.4 mm)	35" x 20.5" x 16.67" (889 mm x 521 mm x 423.4 mm)	35" x 20.5" x 16.67" (889 mm x 521 mm x 423.4 mm)	35" x 20.5" x 16.67" (889 mm x 521 mm x 423.4 mm)
Weight	85 lbs (38 kg)	85 lbs (38 kg)	90 lbs (41 kg)	89 lbs (40 kg)

1) Free Field Response (4m)

2) 1W, 1M Free-Field (4m) except MD-L115 and MD-L118, which are groundplane measurements

3) Measured per AES1984

4) AES1984 50 - 500 Hz (LF), 1 - 10 kHz x (HF); Power = V² / Z_{min}

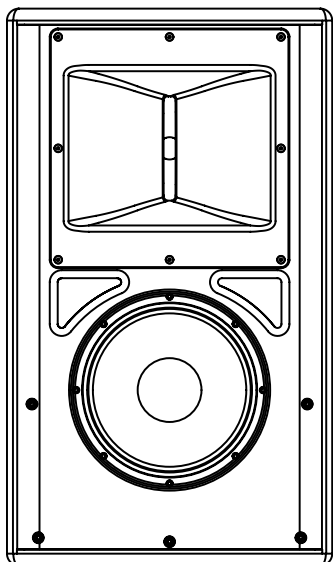
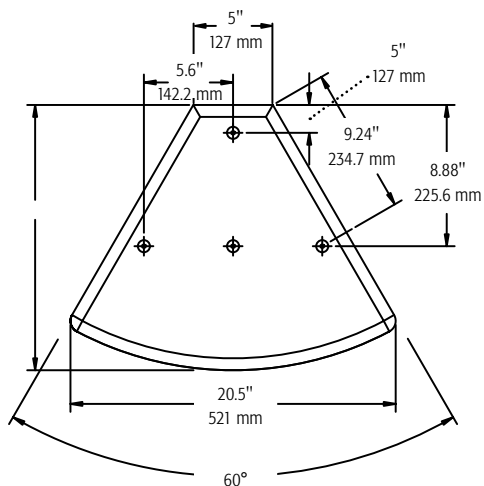
5) Calculated based on sensitivity and continuous power handling capacity

6) Calculated based on sensitivity and 6 dB peak-to-average ratio of signal used for continuous power handling test

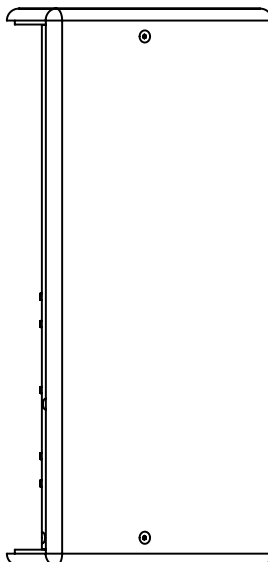
*AES1984-2, 40 - 400, 2 hours; Power = V² / Z_{min}

Specifications subject to change without notice.

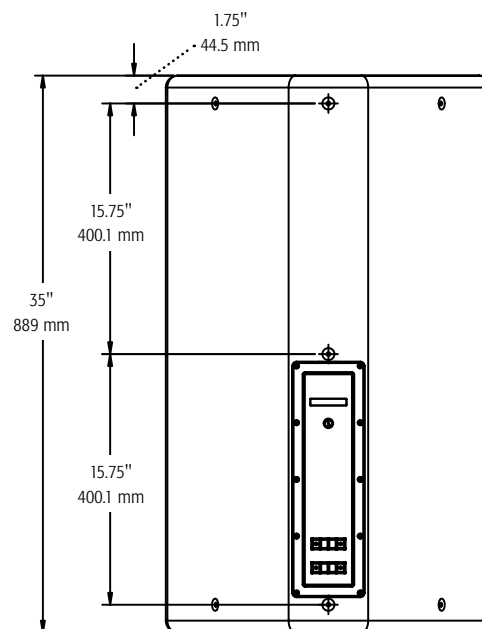
Top



Front



Side



Back

Specifications subject to change without notice.

Free Manuals Download Website

<http://myh66.com>

<http://usermanuals.us>

<http://www.somanuals.com>

<http://www.4manuals.cc>

<http://www.manual-lib.com>

<http://www.404manual.com>

<http://www.luxmanual.com>

<http://aubethermostatmanual.com>

Golf course search by state

<http://golfingnear.com>

Email search by domain

<http://emailbydomain.com>

Auto manuals search

<http://auto.somanuals.com>

TV manuals search

<http://tv.somanuals.com>