

Maintenance

QVT-102 Maintenance Guide

July 1983



PREFACE

The QVT-102 Maintenance Guide has been designed to enable maintenance personnel to quickly isolate a fault and take corrective action in a minimum amount of time. It is assumed that all who may use this guide have rudimentary knowledge of the QVT-102 video terminal.

The QVT-102 Maintenance Guide is divided into the following sections:

- **Troubleshooting** - for isolating a fault to a subassembly.
- **Subassembly Removal and Replacement** - for replacing the failed subassembly.
- **Alignment** - for performing any necessary video alignment after replacing a subassembly.
- **Parts** - for identification of parts and spares information.
- **Circuits and Diagrams** - reference.

ASSOCIATED PUBLICATIONS

Refer to the QVT-102 Operator Manual, Reorder Number 35003, for general user information. For abbreviated user information, refer to the QVT-102 Quick Reference Card, Reorder Number 35008.

TABLE OF CONTENTS

| | Page |
|--|----------------|
| SECTION 1. TROUBLESHOOTING..... | 1-1 |
| Introduction..... | 1-1 |
| Troubleshooting Technique..... | 1-1 |
| Troubleshooting Flowcharts..... | 1-1 |
| Tools and Equipment Required..... | 1-1 |
| Fault Isolation Flowchart # 1..... | 1-2 |
| Fault Isolation Flowchart # 2..... | 1-4 |
| Fault Isolation Flowchart # 3..... | 1-6 |
| Fault Isolation Flowchart # 4..... | 1-7 |
| Fault Isolation Flowchart # 5..... | 1-8 |
| Error Codes Summary..... | 1-9 |
| SECTION 2. SUBASSEMBLY REMOVAL AND REPLACEMENT..... | 2-1 |
| Introduction..... | 2-1 |
| Safety Summary..... | 2-1 |
| Lower Monitor Area..... | 2-1 |
| Upper Monitor Area..... | 2-1 |
| Cover Sets..... | 2-2 |
| Keyboard - Top Cover..... | 2-2 |
| Keyboard - Bottom Cover (Keyboard PCB and Coiled... Keyboard Cable) | 2-2 |
| Key Caps..... | 2-5 |
| Monitor - Back Cover..... | 2-6 |
| Monitor - Bottom Cover..... | 2-8 |
| Lower Monitor Area Subassemblies..... | 2-10 |
| Logic PCB..... | 2-12 |
| Switching Power Supply..... | 2-13 |
| Power On/Off Switch..... | 2-14 |
| Fuse Holder..... | 2-14 |
| Battery..... | 2-16 |
| Brightness Potentiometer..... | 2-18 |
| Main Wiring Harness..... | 2-19 |
| Upper Monitor Area Subassemblies..... | 2-20 |
| Video PCB..... | 2-22 |
| CRT..... | 2-24 |
| SECTION 3. ALIGNMENT..... | 3-1 |
| Introduction..... | 3-1 |
| Tools and Equipment Required..... | 3-1 |
| Alignment Conditions..... | 3-4 |
| Video Alignment Procedures..... | 3-6 |
| Horizontal Display Width (Line Width)..... | 3-7 |
| Vertical Display Height..... | 3-7 |
| Display Centering (Raster Tilt)..... | 3-7 |
| Horizontal Linearity (Uniform Character Width)..... | 3-8 |
| Vertical Linearity (Uniform Character Height)..... | 3-8 |
| Brightness..... | 3-9 |
| Focus..... | 3-9 |

TABLE OF CONTENTS (Cont)

| | Page |
|--|------------|
| SECTION 4. PARTS..... | 4-1 |
| Recommended Spare Parts..... | 4-7 |
| SECTION 5. CIRCUITS AND DIAGRAMS..... | 5-1 |

LIST OF ILLUSTRATIONS

| Figure | | Page |
|--------|---|------|
| 2-1 | Keyboard Top Cover Removed..... | 2-3 |
| 2-2 | Keyboard PCB Removal and Replacement..... | 2-4 |
| 2-3 | Key Cap Removal and Replacement..... | 2-5 |
| 2-4 | Monitor Back Cover Removal and Replacement..... | 2-7 |
| 2-5 | Monitor Bottom Cover Removal and Replacement..... | 2-9 |
| 2-6 | Lower Monitor Area..... | 2-11 |
| 2-7 | Power ON/OFF Switch and Fuse Holder Removal and Replacement..... | 2-15 |
| 2-8 | Battery Removal and Replacement..... | 2-17 |
| 2-9 | Brightness Potentiometer Removal and Replacement..... | 2-19 |
| 2-10 | Upper Monitor Area..... | 2-21 |
| 2-11 | Discharging the CRT Anode..... | 2-23 |
| 3-1a | QVT Alignment Tools Set..... | 3-2 |
| 3-1b | QVT Alignment Tools Set..... | 3-3 |
| 3-2 | The "H" Test Pattern..... | 3-5 |
| 3-3 | Video Alignments..... | 3-6 |
| 4-1 | QVT-102 Exploded View Diagram..... | 4-3 |
| 5-1 | QVT-102 Functional Block Diagram..... | 5-3 |
| 5-2 | QVT-102 Interconnect Wiring Diagram..... | 5-5 |
| 5-3 | QVT-102 Keyboard Schematic..... | 5-7 |
| 5-4 | QVT-102 Video PCB Schematic..... | 5-9 |
| 5-5 | QVT-102 Logic PCB Schematic..... | 5-11 |

LIST OF TABLES

| Table | | Page |
|-------|------------------------------|------|
| 1-1 | Error Codes Summary..... | 1-9 |
| 4-1 | Recommended Spare Parts..... | 4-7 |

SECTION 1

TROUBLESHOOTING

INTRODUCTION

This section provides a troubleshooting method for isolating most QVT-102 failures to an easily replaced subassembly, by systematically advancing through a series of troubleshooting flowcharts.

TROUBLESHOOTING TECHNIQUE

Effective troubleshooting technique should always begin with a thorough visual inspection. Look for obvious things that may adversely effect the performance of the terminal, such as:

- Is the AC power source supplying adequate power,
- Is the brightness potentiometer properly adjusted,
- Are all connectors making good contact,
- Is there a compatibility problem between the terminal and the host?

TROUBLESHOOTING FLOWCHARTS

When using the following troubleshooting flowcharts, always begin with Fault Isolation Flowchart # 1. Although each flowchart is more or less tailored to troubleshoot a general area, it should be noted that they have been purposefully arranged to quickly isolate a fault to a replaceable subassembly. It is not recommended that the flowcharts be used out of sequence.

Refer to the Circuits and Diagrams Section for more specific information as necessary.

Tools and Equipment Required

- DB25 Loopback Connector,
- Phillips Screwdriver,
- Multimeter,
- High Voltage Probe,
- Interconnect Wiring Diagram and Schematics (refer to Section 5).

Fault Isolation Chart # 1

Power On Unit.

Does Unit Display an Error Code. ---YES-----> Proceed to Fault Codes Summary (Page 2-9).

-NO

Perform Self-Test (ESC V).

Does Unit Perform Self-Test. ---NO-----> Proceed to Flowchart # 2.

-YES

Exit Self-Test, Enter Local Mode. Press Each Key on Keyboard.

Are Characters Displayed as Keys Are Pressed. ---NO-----> Proceed to Flowchart # 3.

-YES

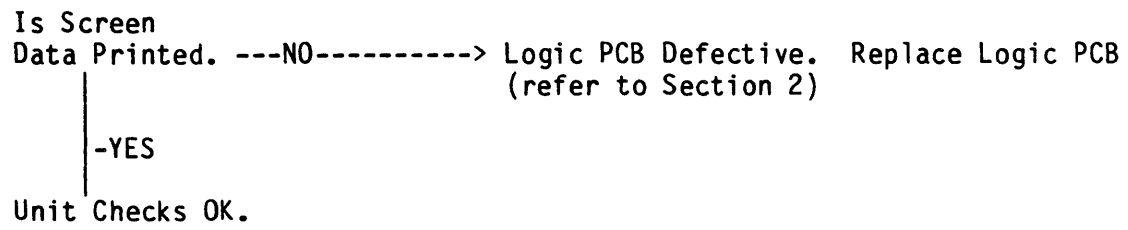
Exit Local Mode, Enter On Line Mode & Full Duplex Mode. Install Loopback Connector to EIA Port. Press Each Key on Keyboard.

Are Characters Displayed as Keys Are Pressed ---NO-----> Logic PCB Defective. Replace Logic PCB (refer to Section 2).

-YES

Connect Printer to AUX Port. Exit On Line Mode & Enter Local Mode. Print.

Fault Isolation Flowchart # 1 (Cont)



Fault Isolation Flowchart # 2

From Flowchart # 1.

Are AC Line and Power Supply Fuses Good. ---NO-----> Replace Bad Fuse(s). Continue.

-YES

Does Either Fuse Fail --NO---> Return. Begin Flowchart # 1. Again at Power On.

-YES

Verify Operation of ON/OFF Switch. Is Switch Defective. ---NO-----> Return. Begin Flowchart # 1.

-YES

Replace Switch (refer to Section 2). Continue.

Does Either Fuse Fail --NO---> Return. Begin Flowchart # 1. Again at Power On.

-YES

Replace Fuse(s). Disconnect P12, P13 and P14 to Isolate Power Supply. Power On Unit and Verify Power Supply Voltages: (All voltages are dc).

| | | | | | |
|------------|-------|------------|-------|------------|-------|
| P12: Pin 1 | +5 V | P13: Pin 1 | +5 V | P14: Pin 1 | +5 V |
| Pin 2 | GND H | Pin 2 | GND V | Pin 2 | GND |
| Pin 3 | +12 V | Pin 3 | +12 V | Pin 3 | +12 V |
| Pin 4 | NC | Pin 4 | NC | Pin 4 | -12 V |

Are All Voltages Present. ---NO-----> Power Supply is Defective. Replace Power Supply (refer to Section 2).

-YES

Power Supply Checks OK. Power Off Unit and Reconnect Power Supply Connectors P12, P13 and P14. Disconnect P6 and the Keyboard Telephone Jack from the Logic PCB. Power On the Unit.

Fault Isolation Flowchart # 2 (Cont)

Does Either Fuse Fail --NO---> Logic PCB Checks OK. Keyboard or Video PCB
Again at Power On. is Defective. Continue.

-YES

Replace Fuse(s). Connect Keyboard Telephone Jack to the Logic PCB.
Power On Unit.

Does Either Fuse Fail --NO---> Keyboard Checks OK. Video PCB is Shorted.
Again at Power On. Replace Video PCB (refer to Section 2).
Return to Flowchart # 1.

-YES

Keyboard or Coiled Keyboard Cable is Defective.
Return to Flowchart # 1.

Fault Isolation Flowchart # 3

From Flowchart # 1.

Is +12 Vdc and GND Present
at P11 on Keyboard PCB. ---NO-----> Coiled Keyboard Cable is Defective.
(Pin 1, GND/Pin 2, +12 Vdc) Replace Coiled Keyboard Cable (refer
to Section 2).

-YES

Is 10 Vdc + 1 V Present at ---NO----> Logic PCB is Defective. Replace Logic
P10, Pin 1 on Logic PCB. PCB (refer to Section 2).

-YES

Depress Each Key on Keyboard For a Minimum
of 2 Seconds Each and Observe an AC RMS
Voltage at P10, Pin 1 on Logic PCB.

Does This Voltage Increase
Approx. 200 mVac RMS While ---NO-----> Keyboard is Defective. Replace
Each Key is Pressed Keyboard Assembly (Refer to
Section 2).

-YES

Is The Correct
Character -----NO-----> Proceed to Flowchart # 4.
Displayed.

-YES

Unit Checks OK. Proceed to System Test.

Fault Isolation Flowchart # 4

From Flowchart # 3.

Check the Following Voltages on the Logic PCB:

P5-1: Pin 1 +5 Vdc
Pin 2 +5 Vdc

P5-2: Pin 1 -12 Vdc
Pin 2 GND
Pin 3 +5 Vdc
Pin 4 +12 Vdc

Are All Voltages Present. --NO--> Defective Main Wiring Harness. Replace Main Wiring Harness (refer to Section 2).

-YES

Verify Proper Operation of the Brightness Potentiometer. Rotate Pot Full CCW, Then Full CW. Observe a 300 mVdc Voltage Change Between Pins 1 and 2 of P7.

Does Voltage Change ---NO----> Brightness Potentiometer is Defective. Replace Brightness Potentiometer (refer to Section 2).
Approx. 300mVdc.

-YES

Blank Screen (Shift-Home/Clear).
At P6, Pin 5 Note an AC RMS Voltage.
Display Self-Test (ESC V).
At P6, Pin 5 Note an AC RMS Voltage.

Did Voltage Increase
Approx. 400 mVac RMS When ---NO----> Logic PCB is Defective. Replace Logic
Self-Test Was Displayed. PCB (refer to Section 2).

-YES

Proceed to Flowchart # 5.

Fault Isolation Flowchart # 5

From Flowchart # 4:

Display "H" Test Pattern (Ctrl/Shift/Setup-Zero).

Check Voltages on Video PCB, P1:

| | |
|-------|---------|
| Pin 1 | +12 Vdc |
| 2 | GND |
| 3 | +12 Vdc |
| 4 | GND |

Are Voltages Present. ---NO----> Main Wiring Harness Defective. Replace Main
Main Wiring Harness (refer to Section 2).

-YES

With Brightness Potentiometer
Full CW, Check P2, Pin 5 for
Approx. 400 mVac RMS.

Is Approx. 400 mVac RMS Present. ---NO-----> Main Wiring Harness Defective. Replace
Main Wiring Harness (refer to Section 2).

-YES

With a HIGH VOLTAGE Probe,
Check the CRT Anode Cap
for Approx. 13 kVdc.

WARNING: HIGH VOLTAGE

Is Approx. 13 kVdc Present --NO-----> Video PCB Defective. Replace Video PCB
at CRT Anode Cap. (refer to Section 2).

-YES

Check the Following Voltages on the Video PCB (Tolerance \pm 25%):

| | | | |
|-----------|-------------|----|-------------|
| P3, Pin 2 | 0.3 Vac RMS | K2 | 550 Vdc |
| P3, Pin 1 | 1.3 Vac RMS | K3 | 45 Vdc |
| P4, Pin 2 | 10 Vac RMS | K4 | 175 Vdc |
| P4, Pin 1 | 25 Vac RMS | K5 | 12 Vdc |
| K1 | -28 Vdc | K6 | 0.1 Vac RMS |

Are All Voltages Present. ---NO-----> Video PCB Defective. Replace Video PCB (refer
to Section 2).

-YES

CRT Defective. Replace CRT (refer to Section 2).

ERROR CODES SUMMARY

As part of the terminal's power on sequence, it performs an internal self-test, and signals that it has successfully completed this test by sounding the audible alarm. However, if a non-fatal error is detected, an error code will be displayed on the screen. For example, if the letter "D" is displayed, this signifies that a fault has been isolated to the Logic PCB (i.e. IC U19). The following table lists all possible error codes.

Table 1-1. Error Codes Summary

| ERROR CODE | CORRECTIVE ACTION |
|------------|--|
| A | Replace U8, or the Logic PCB. |
| B | Replace U6, U7, or the Logic PCB. |
| C | Replace U6, U7, U8, or the Logic PCB. |
| D | Replace U19, or the Logic PCB. |
| E | Replace U8 and U19, or the Logic PCB. |
| F | Replace U6, U7 and U19, or the Logic PCB. |
| G | Replace U6, U7, U8 and U19, or the Logic PCB. |
| H | Replace the Keyboard. |
| I | Replace U8, or the Logic PCB, and the Keyboard. |
| J | Replace U6 and U7, or the Logic PCB, and the Keyboard. |
| K | Replace U6, U7 and U8, or the Logic PCB, and the Keyboard. |
| L | Replace U19, or the Logic PCB and the Keyboard. |
| M | Replace U8 and U19, or the Logic PCB and the Keyboard. |
| N | Replace U6, U7 and U19, or the Logic PCB and the Keyboard. |
| O | Replace U6, U7, U8 and U19, or the Logic PCB and the Keyboard. |

Note: U6, U7, U8 and U19 are located on the Logic PCB.

SUBASSEMBLY REMOVAL AND REPLACEMENT

INTRODUCTION

This section describes how to remove and replace the major subassemblies of the QVT-102. Before beginning, place the Power On/Off switch in the OFF position and disconnect the power cord from the power source. Thoroughly read each procedure before attempting any subassembly removal and replacement. A medium size Phillips head screwdriver, a small adjustable wrench, and soldering equipment are the only tools required.

SAFETY SUMMARY

In addition to the normal safety precautions that should always be practiced during any maintenance procedure on electronic equipment, personnel should also be aware of the following safety hazards.

Lower Monitor Area

The lower monitor area contains the logic PCB and the power supply.

CAUTION

Hazardous voltages are exposed in the general area of the power supply. Before performing any service in the lower monitor area, power OFF the terminal and disconnect the power cord.

Upper Monitor Area

The upper monitor area contains the CRT and the video PCB.

CAUTION

Take special care when working in the general area of the CRT. Do not scratch or strike the CRT or subject it to unusual pressure. The CRT contains a high vacuum and breakage of the tube may result in injury from flying glass. As a further precaution wear suitable clothing and eye protection.

A hazardous residual voltage may be present on the CRT at the flyback transformer anode cap. Always discharge the CRT anode to ground before performing any maintenance in the upper monitor area (refer to Step 2 of the Video PCB Removal and Replacement procedure).

SUBASSEMBLY REMOVAL AND REPLACEMENT

COVER SETS

The paragraphs below describe the removal and replacement of the cover sets for the keyboard and monitor. This procedure prefaces the removal and replacement of the other QVT-102 subassemblies.

Keyboard - Top Cover

The top cover of the keyboard is secured from the underside of the keyboard assembly by six screws.

REMOVAL

1. Disconnect the keyboard cable from the monitor.
2. Place the keyboard upside down on a level surface and remove the six screws. Lift the bottom cover with keyboard PCB away from the top cover.

REPLACEMENT

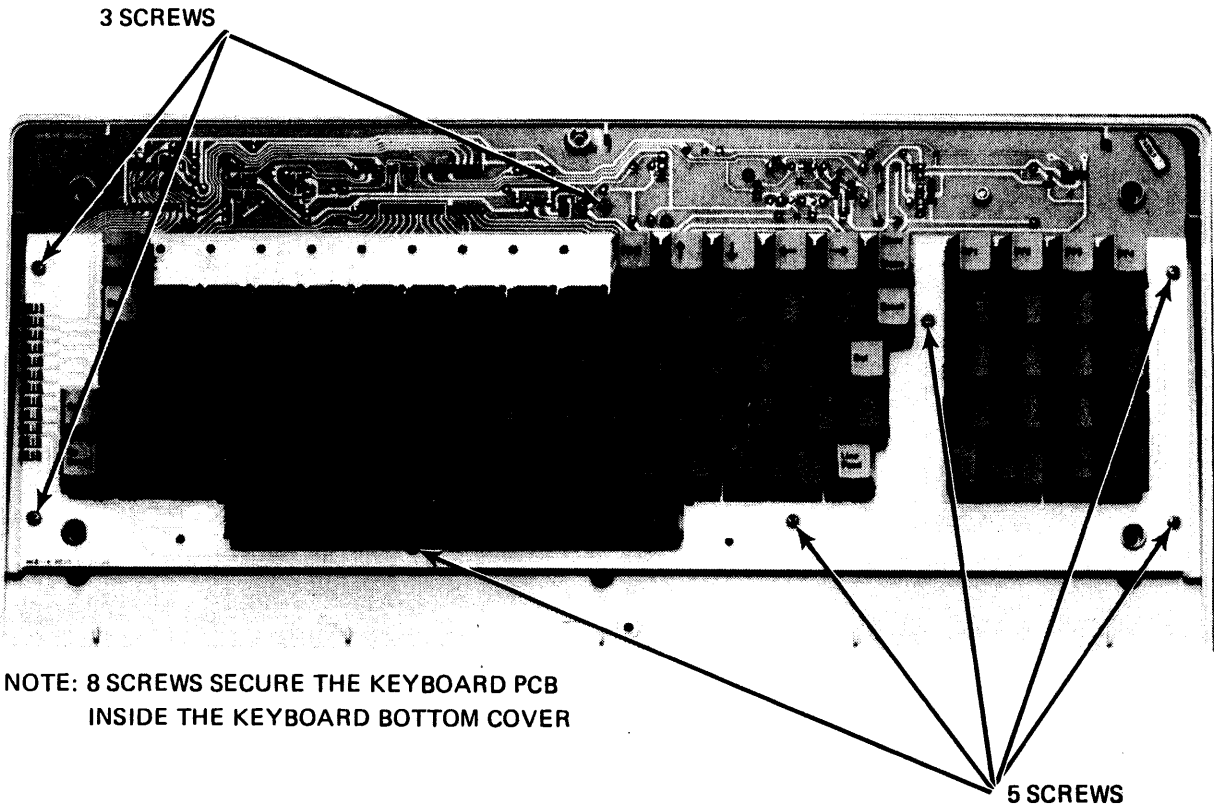
To replace the top cover, simply reverse the above procedure.

Keyboard - Bottom Cover (Keyboard PCB and Coiled Keyboard Cable)

To remove and replace the bottom keyboard cover, it is also necessary to remove and replace the keyboard PCB and the keyboard cable.

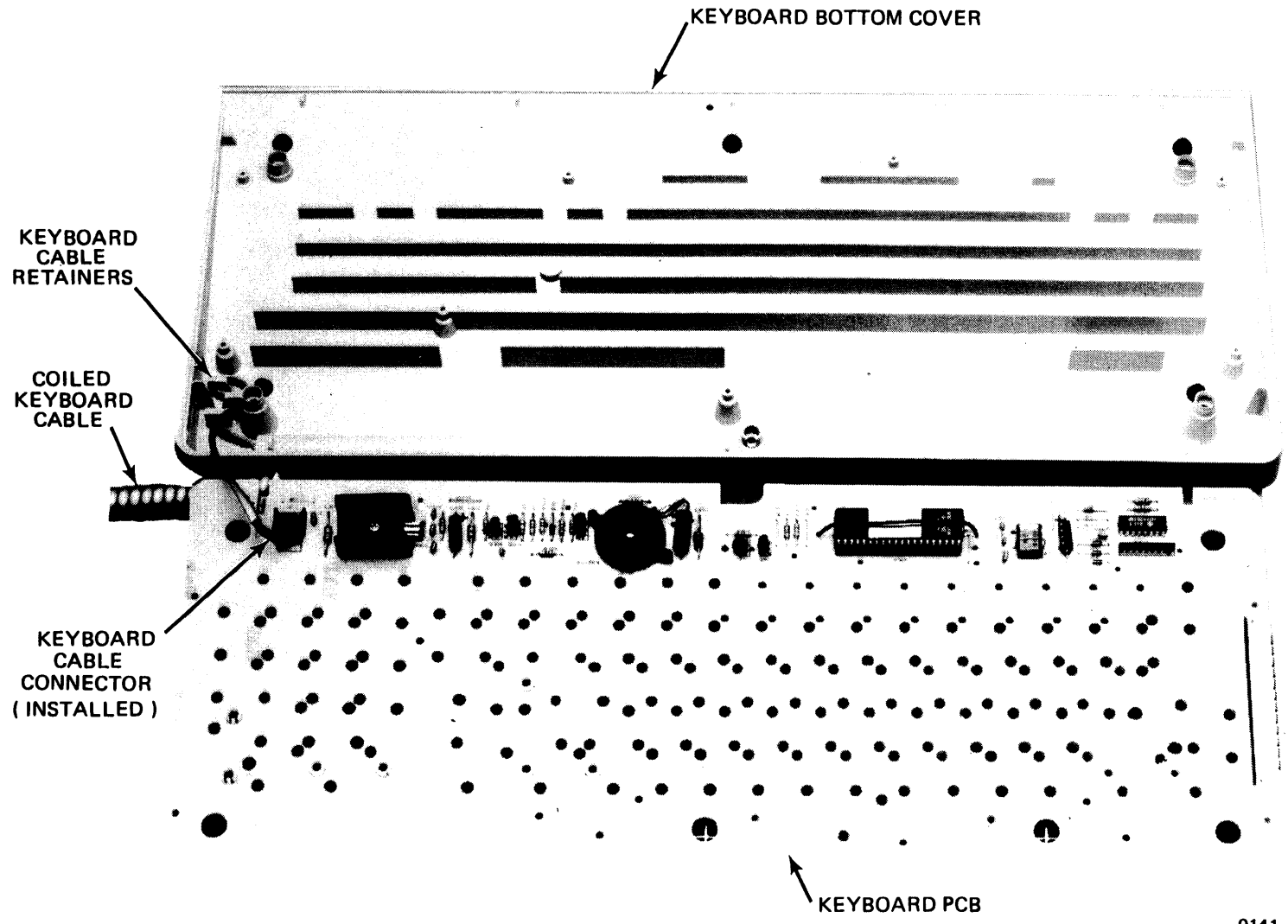
REMOVAL

1. Remove the top cover from the keyboard assembly. Refer to the Keyboard Top Cover Removal and Replacement procedure.
2. Remove the eight screws that secure the keyboard PCB to the bottom cover. Refer to Figure 2-1.
3. Lift the keyboard PCB up and lay it over the back edge of the bottom cover. Refer to Figure 2-2.
4. Disconnect the coiled keyboard cable from the keyboard PCB and remove the cable from its retainers on the inside of the bottom cover. Be careful not to damage the cable by overstressing its tensile strength. Remove the keyboard cable, keyboard PCB, and bottom cover.



0142

Figure 2-1. Keyboard Top Cover Removed



0141

Figure 2-2. Keyboard PCB Removal and Replacement

SUBASSEMBLY REMOVAL AND REPLACEMENT

REPLACEMENT

1. Insert the coiled keyboard cable through its access hole in the bottom cover and secure it to its retainers. Be careful not to damage the cable by overstressing its tensile strength. Connect the keyboard cable connector to the keyboard PCB. Refer to Figure 2-1.
2. Install the keyboard PCB in the bottom cover and secure it in place with eight screws. Refer to Figure 2-2.
3. Replace the top cover on the keyboard assembly. Refer to the Keyboard Top Cover Removal and Replacement procedure.

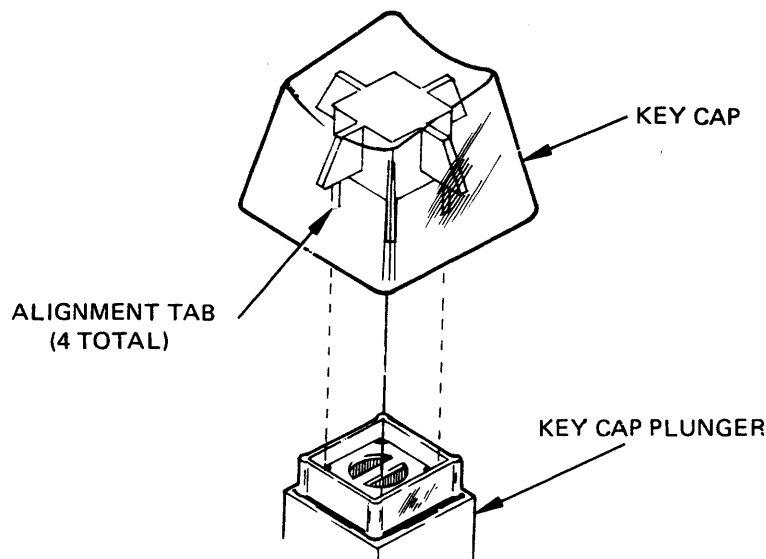
Key Caps

REMOVAL

A key cap can be easily removed by gripping it between index finger and thumb and pulling up. Refer to Figure 2-3.

REPLACEMENT

To replace a key cap, position it over its location and press downward with gentle pressure. Be sure to position the key cap so that its four alignment tabs engage the key cap plunger. Refer to Figure 2-3.



691-A-02

Figure 2-3. Key Cap Removal and Replacement

SUBASSEMBLY REMOVAL AND REPLACEMENT

Monitor - Back Cover

REMOVAL

To remove the back cover for access to the upper monitor area (CRT and video PCB), proceed as follows. Refer to Figure 2-4.

CAUTION

Hazardous voltages are exposed when the Monitor Back Cover is removed. Power OFF the terminal and disconnect the power cord (unless an alignment procedure is to be performed).

Discharge the CRT anode to ground to avoid electrical shock before removing or replacing any upper monitor area subassembly (refer to Step 2 of the Video PCB Removal and Replacement procedure).

Take care when working in the general area of the CRT. Do not scratch or strike the CRT or subject it to unusual pressure. The CRT contains a high vacuum and breakage of the tube may result in injury from flying glass. As a precaution wear suitable clothing with eye protection.

1. Orient the monitor to gain screwdriver access to the bottom edge of the monitor back cover.
2. Remove the two screws that secure the back cover to the monitor, and slide the back cover to the rear until it is free of its support tracks on the display swivel support.

REPLACEMENT

1. Install the back cover on the monitor by sliding it into position on the display swivel support. Refer to Figure 2-4.
2. Secure the back cover to the monitor with two screws.

SUBASSEMBLY REMOVAL AND REPLACEMENT

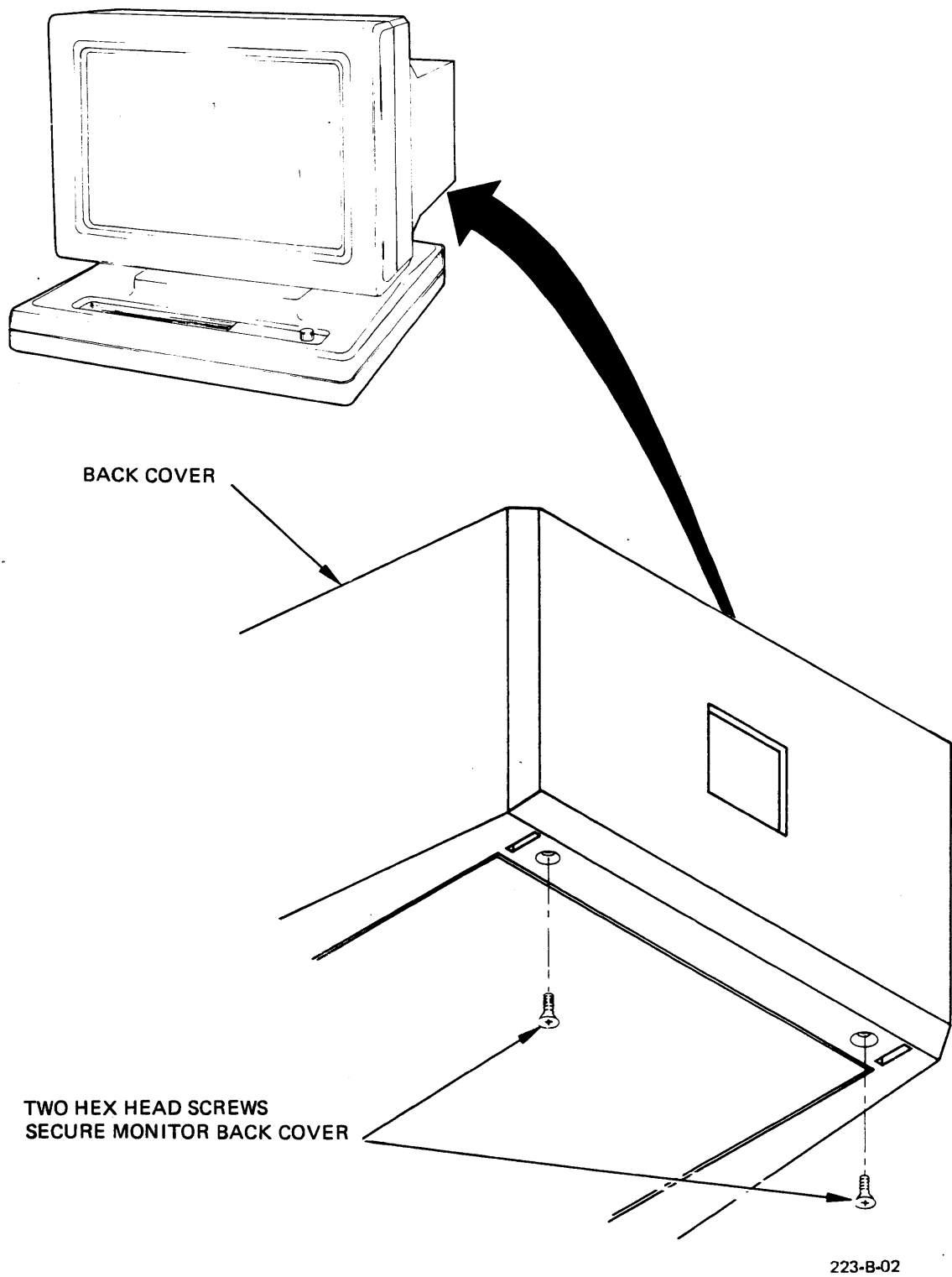


Figure 2-4. Monitor Back Cover Removal and Replacement

SUBASSEMBLY REMOVAL AND REPLACEMENT

Monitor - Bottom Cover

REMOVAL

To remove the bottom cover for access to the lower monitor area (logic PCB and power supply), proceed as follows. Refer to Figure 2-5.

CAUTION

Hazardous voltages are exposed in the general area of the power supply. Before performing any service in the lower monitor area, power OFF the terminal and disconnect the power cord.

1. Remove the knob from the brightness potentiometer.
2. Lay the monitor on its side and loosen the four recessed screws at the corners. These screws are captive screws, so it is not necessary to remove them.
3. Remove the bottom cover from the monitor. To remove any of the subassemblies mounted on the inside of the bottom cover, refer to the appropriate removal procedure.

REPLACEMENT

1. Install any subassemblies on the inside of the bottom cover that have been previously removed. Refer to the appropriate replacement procedure.
2. Position the bottom cover on the monitor and tighten the four recessed screws to secure it in place. Refer to Figure 2-5.
3. Install the knob on the stem of the brightness potentiometer.

SUBASSEMBLY REMOVAL AND REPLACEMENT

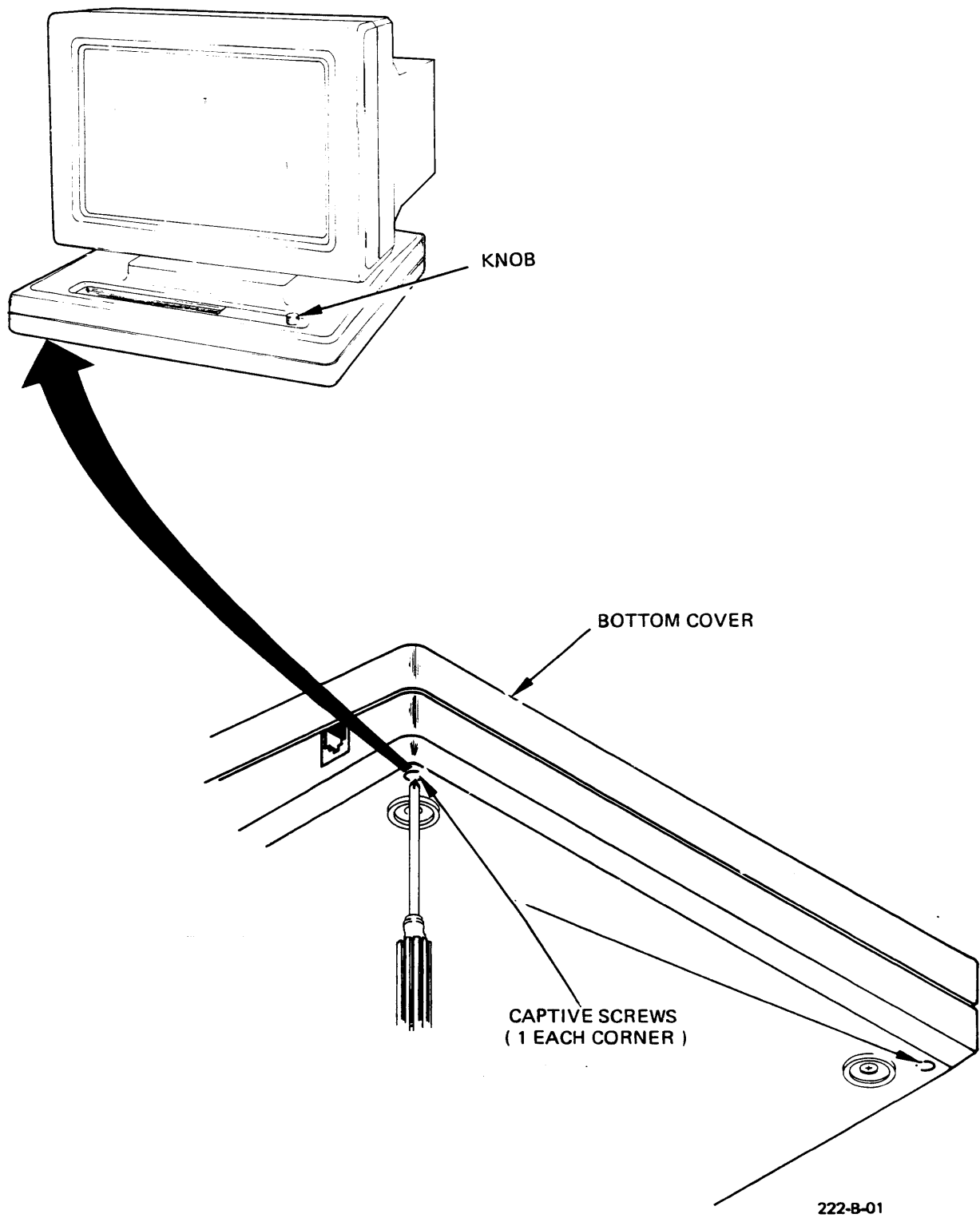


Figure 2-5. Monitor Bottom Cover Removal and Replacement

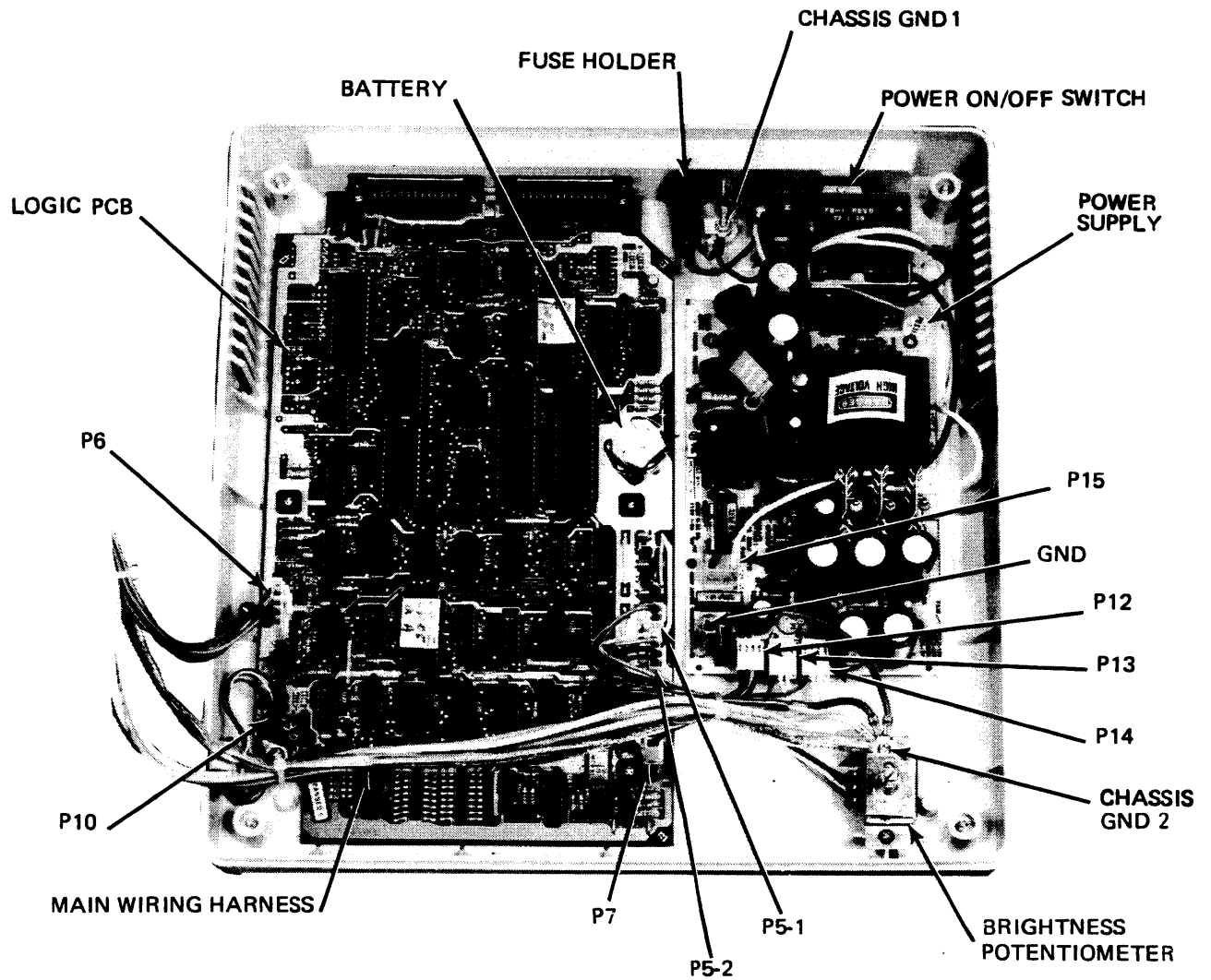
SUBASSEMBLY REMOVAL AND REPLACEMENT

LOWER MONITOR AREA SUBASSEMBLIES

The Lower Monitor Area contains the following subassemblies. Refer to Figure 2-6.

- Logic PCB,
- Power Supply,
- Power On/Off Switch,
- Fuse Holder,
- Battery,
- Brightness Potentiometer,
- Main Wiring Harness.

SUBASSEMBLY REMOVAL AND REPLACEMENT



0139

Figure 2-6. Lower Monitor Area

SUBASSEMBLY REMOVAL AND REPLACEMENT

Logic PCB

REMOVAL

CAUTION

Hazardous voltages are exposed in the general area of the power supply. Before performing any service in this area, power OFF the terminal and disconnect the power cord.

1. Gain access to the lower monitor area. Refer to the Monitor - Bottom Cover Removal and Replacement procedure.
2. Disconnect the following connectors from the logic PCB. Refer to Figure 2-6.

| | |
|------|--------------------------------|
| P5-1 | +5 Vdc from the power supply, |
| P5-2 | +12 Vdc from the power supply, |
| P6 | Video PCB, |
| P7 | Brightness potentiometer, |
| P10 | Keyboard input. |

3. Remove the 8 screws that secure the logic PCB (and the chassis ground strap on the keyboard input jack) to the bottom cover. Lift the logic PCB from the bottom cover.

REPLACEMENT

1. Position the logic PCB over its mounting holes in the bottom cover and secure it in place with 8 screws. Be sure to also install the chassis ground strap from the keyboard input jack. Refer to Figure 2-6.
2. Reconnect all connectors listed in the Removal procedure above.
3. Reinstall the bottom cover on the monitor. Refer to the Monitor - Bottom Cover Removal and Replacement procedure.

Switching Power Supply

REMOVAL

CAUTION

Hazardous voltages are exposed in the general area of the power supply. Before performing any service in this area, power OFF the terminal and disconnect the power cord.

1. Gain access to the lower monitor area. Refer to the Monitor - Bottom Cover Removal and Replacement procedure.
2. Disconnect the following connectors from the power supply. Refer to Figure 2-6.

| | | |
|-----|---|--|
| P12 | | |
| P13 | > | +5 Vdc and +12 Vdc output connectors, |
| P14 | | |
| P15 | | Source voltage input, |
| GND | | Power supply ground. (The ground lead on later model power supplies is soldered to the power supply, but easily removable from chassis ground 2.). |

3. Remove the four screws that secure the power supply to the bottom cover. Lift the power supply from the bottom cover.

REPLACEMENT

1. Position the power supply over its mounting holes in the bottom cover and secure it in place with four screws. Refer to Figure 2-6.
2. Reconnect all the connectors listed in the Removal procedure above.
3. Reinstall the bottom cover on the monitor. Refer to the Monitor - Bottom Cover Removal and Replacement procedure.

SUBASSEMBLY REMOVAL AND REPLACEMENT

Power On/Off Switch

REMOVAL

CAUTION

Hazardous voltages are exposed in the general area of the power supply. Before performing any service in this area, power OFF the terminal and disconnect the power cord.

1. Gain access to the lower monitor area. Refer to the Monitor - Bottom Cover Removal and Replacement procedure.
2. Remove the two screws that secure the filter PCB and the power switch with bracket in the bottom cover. Refer to Figure 2-7.
3. Remove the filter PCB; it is not necessary to de-solder its four connecting leads.
4. Note the arrangement of the four leads on the power switch. De-solder these leads and remove the power switch with its mounting bracket.
5. Remove the two screws that secure the power switch to its mounting bracket. Remove the power switch.

REPLACEMENT

1. Secure the power switch to its mounting bracket with the two screws removed in Step 5 above. Refer to Figure 2-7.
2. Re-solder the four leads to the power switch.
3. Position the power switch mounting bracket over its mounting holes in the bottom cover. Position the line filter PCB over the power switch mounting bracket so that all mounting holes are in line. Secure in place with the two screws removed in Step 2 above.
4. Reinstall the bottom cover on the monitor. Refer to the Monitor - Bottom Cover Removal and Replacement procedure.

Fuse Holder

REMOVAL

CAUTION

Hazardous voltages are exposed in the general area of the power supply. Before performing any service in this area, power OFF the terminal and disconnect the power cord.

SUBASSEMBLY REMOVAL AND REPLACEMENT

1. Gain access to the lower monitor area. Refer to the Monitor - Bottom Cover Removal and Replacement procedure.
2. Note the arrangement of the two leads on the fuse holder. De-solder these leads from the fuse holder. Refer to Figure 2-7.
3. With a small adjustable wrench, remove the nut and washer that secures the fuse holder to the inside of the bottom cover. Remove the fuse holder.

REPLACEMENT

1. Install the fuse holder in the bottom cover and secure it in place with the washer and nut removed in Step 3 above. Refer to Figure 2-7.
2. Re-solder the two leads to the fuse holder.
3. Reinstall the bottom cover on the monitor. Refer to the Monitor - Bottom Cover Removal and Replacement procedure.

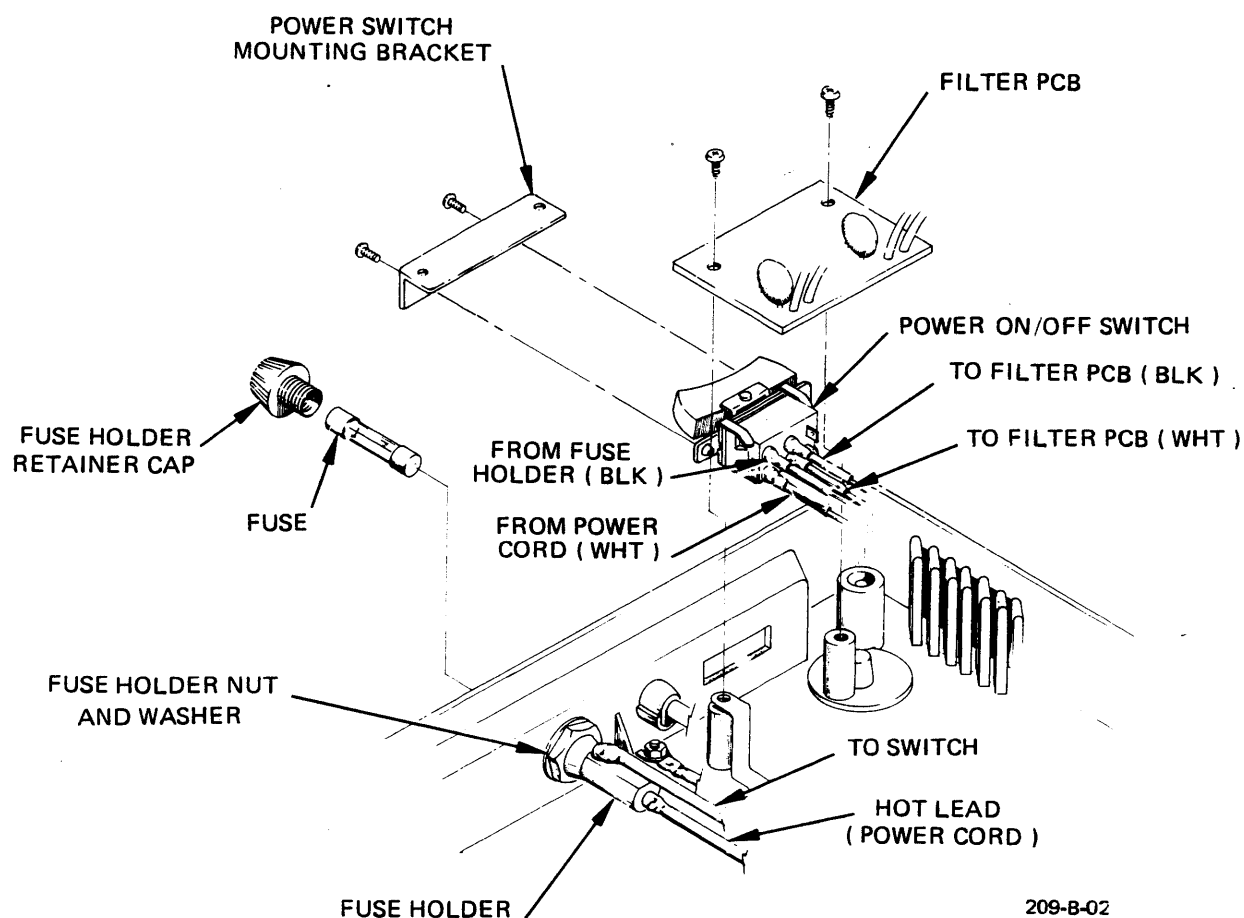


Figure 2-7. Power ON/OFF Switch and Fuse Holder Removal and Replacement

SUBASSEMBLY REMOVAL AND REPLACEMENT

Battery

REMOVAL AND REPLACEMENT

CAUTION

Hazardous voltages are exposed in the general area of the power supply. Before performing any service in this area, power OFF the terminal and disconnect the power cord.

The battery is easily removed and replaced by sliding it in and out of its retainer clip on the Logic PCB (refer to Figure 2-8). As a reference, note the status line set-up configuration of the terminal before removing the battery. Once the battery is replaced, if after power ON the status line appears to be altered, execute a Shift-D and reconfigure the status line as you have noted.

SUBASSEMBLY REMOVAL AND REPLACEMENT

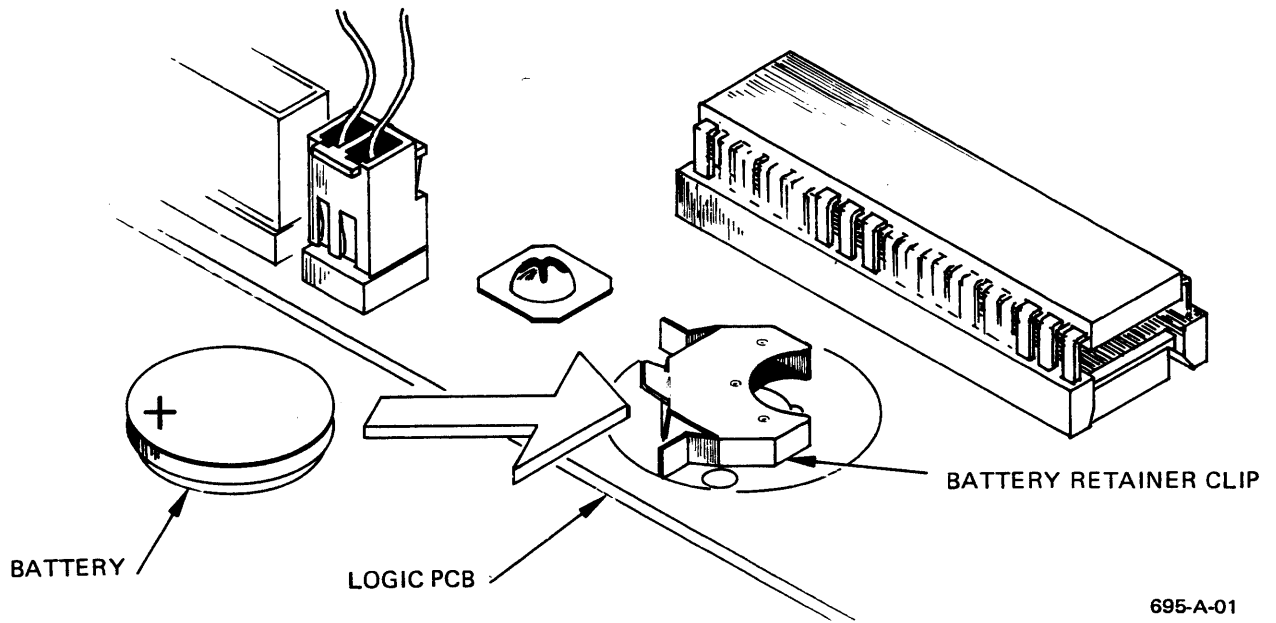


Figure 2-8. Battery Removal and Replacement

Brightness Potentiometer

REMOVAL

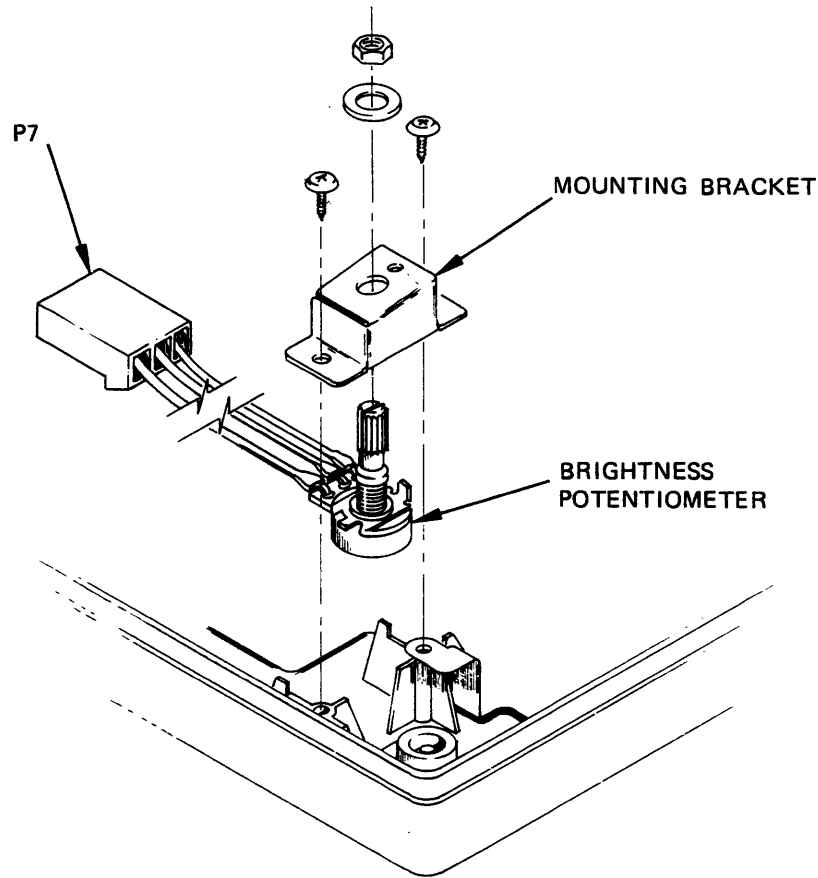
CAUTION

Hazardous voltages are exposed in the general area of the power supply. Before performing any service in this area, power OFF the terminal and disconnect the power cord.

1. Gain access to the lower monitor area. Refer to the Monitor - Bottom Cover Removal and Replacement procedure.
2. Disconnect the brightness potentiometer connector (P7) from the Logic PCB. Refer to Figure 2-6.
3. Remove the two screws that secure the brightness potentiometer and mounting bracket to the bottom cover. Refer to Figure 2-9.
4. With a small adjustable wrench, remove the nut that secures the brightness potentiometer to the mounting bracket. Remove the brightness potentiometer.

REPLACEMENT

1. Secure the brightness potentiometer to its mounting bracket with the nut removed in Step 4 above. Refer to Figure 2-9.
2. Position the brightness potentiometer with mounting bracket over its mounting holes in the bottom cover. Be sure to orient the mounting bracket so that the high side of its sloped top surface is toward the rear. Secure in place with the two screws removed in Step 3 above.
3. Reconnect the brightness potentiometer connector (P7) to the Logic PCB. Refer to Figure 2-6.
4. Reinstall the bottom cover on the monitor. Refer to the Monitor - Bottom Cover Removal and Replacement procedure.



694-A-02

Figure 2-9. Brightness Potentiometer Removal and Replacement

Main Wiring Harness

The main wiring harness includes all the point-to-point wiring between the major subassemblies of the QVT-102. If removal and replacement of the main wiring harness is required, refer to the QVT-102 Interconnect Wiring Diagram found in the Circuits and Diagrams Section.

SUBASSEMBLY REMOVAL AND REPLACEMENT

UPPER MONITOR AREA SUBASSEMBLIES

The Upper Monitor Area contains the following subassemblies. Refer to Figure 2-10.

- Video PCB,
- CRT.

SUBASSEMBLY REMOVAL AND REPLACEMENT

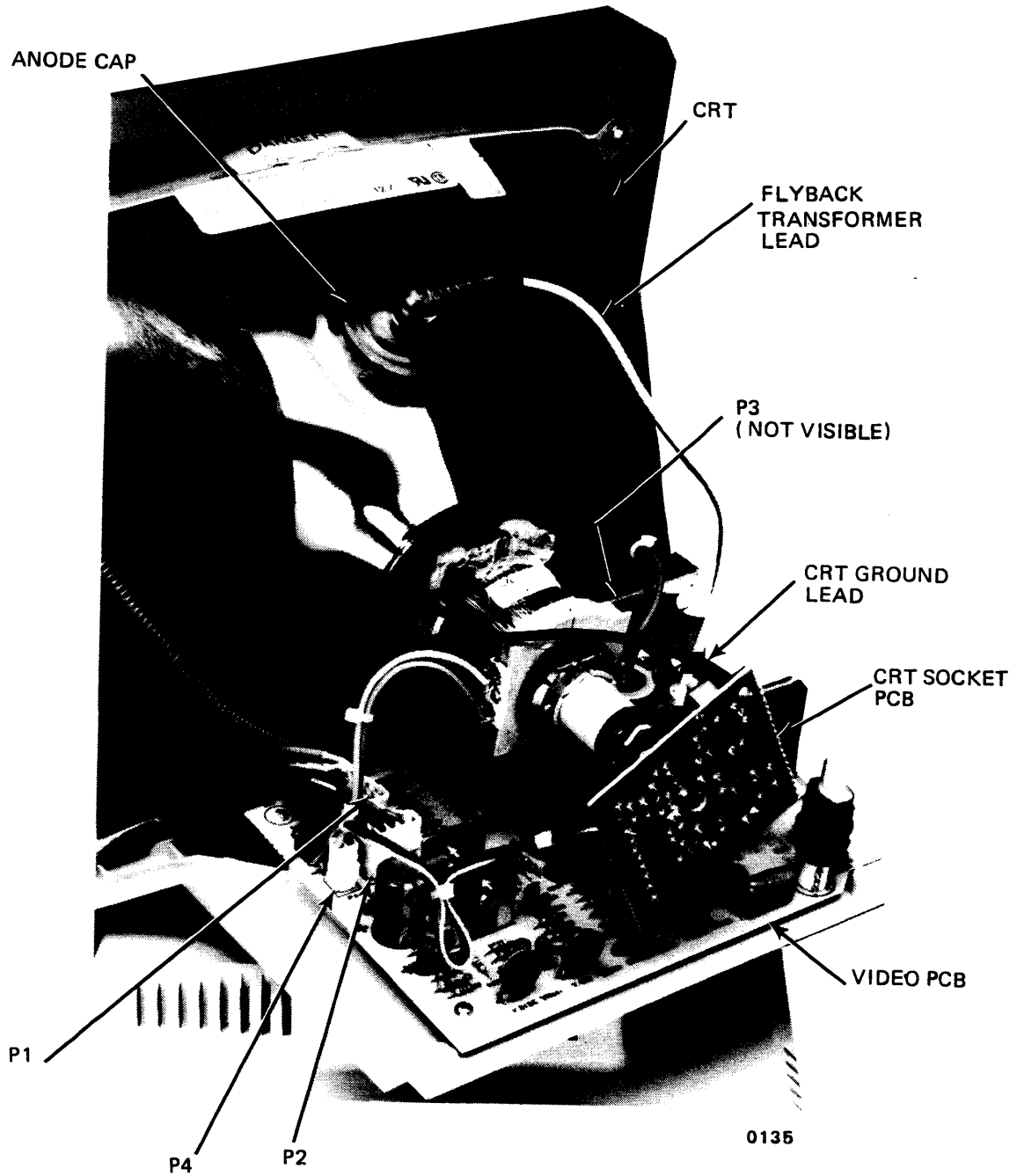


Figure 2-10. Upper Monitor Area

SUBASSEMBLY REMOVAL AND REPLACEMENT

Video PCB

REMOVAL

CAUTION

Take special care when working in the general area of the CRT. Do not scratch or strike the CRT or subject it to unusual pressure. The CRT contains a high vacuum and breakage of the tube may result in injury from flying glass. As a precaution wear suitable clothing and eye protection.

1. Gain access to the upper monitor area. Refer to the Monitor - Back Cover Removal and Replacement procedure.
2. Discharge the CRT high voltage circuit and remove the flyback transformer anode cap. Figure 2-11 illustrates the proper method of discharging the CRT anode by using the shaft of an insulated screwdriver, to short the anode to the metalized surface of the CRT.
3. Disconnect the following connectors from the video PCB. Refer to Figure 2-10.

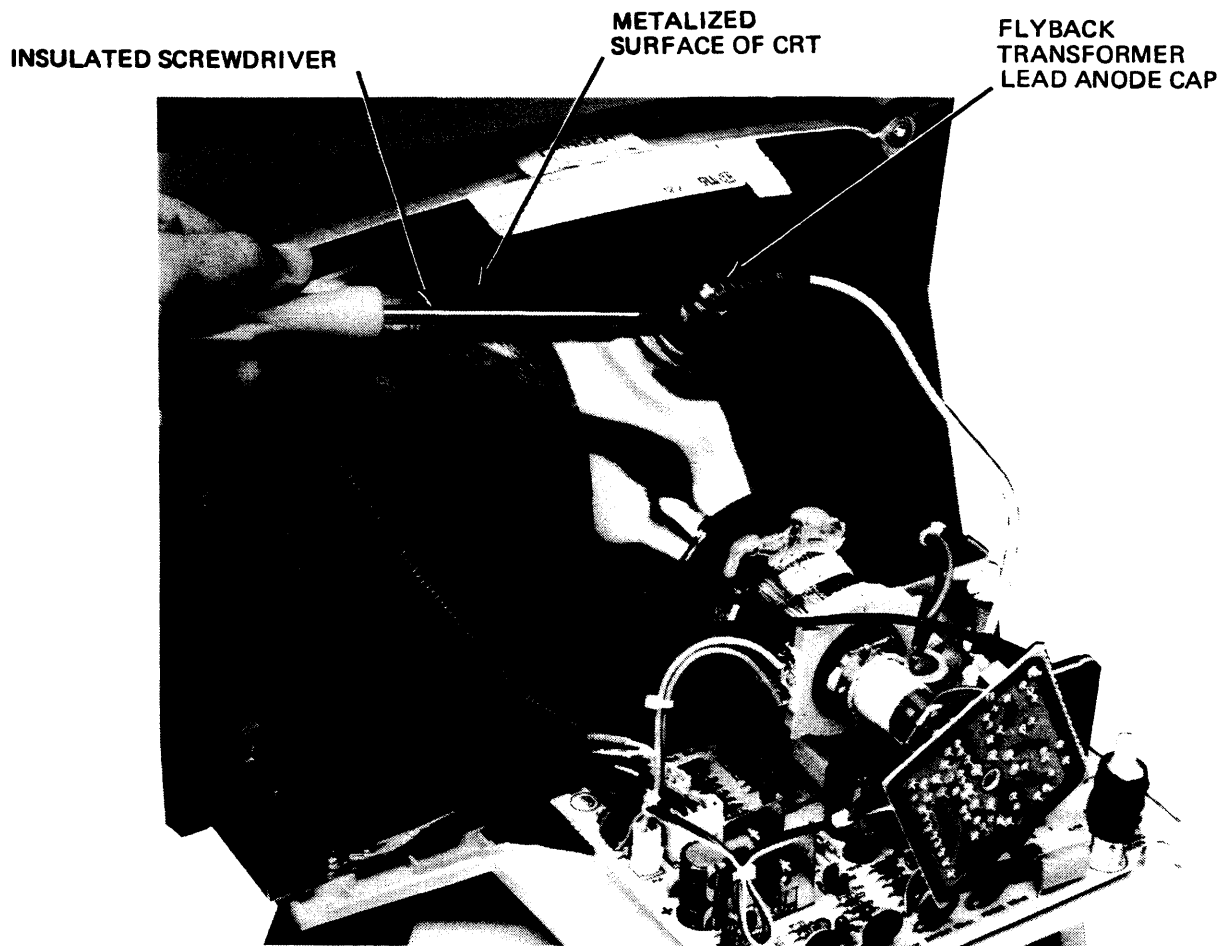
| | |
|-----|-------------------------------|
| P1 | +12 Vdc, |
| P2 | Horizontal and vertical sync, |
| P3 | Horizontal yoke deflection, |
| P4 | Vertical yoke deflection, |
| GND | CRT grounding spring. |

4. Remove the five screws that secure the video PCB in place, and remove the CRT socket PCB from the neck of the CRT. Remove the video PCB from the monitor.

REPLACEMENT

1. Place the video PCB over its mounting holes, and install the CRT socket PCB on the neck of the CRT. Secure the video PCB with five screws.
2. Install the flyback transformer lead on the CRT.
3. Reconnect all connectors listed in the Removal procedure above.
4. Perform any video alignments necessary.
5. Reinstall the back cover on the monitor. Refer to the Monitor - Back Cover Removal and Replacement procedure.

SUBASSEMBLY REMOVAL AND REPLACEMENT



0134

Figure 2-11. Discharging the CRT Anode

SUBASSEMBLY REMOVAL AND REPLACEMENT

CRT

REMOVAL

CAUTION

Take special care when working in the general area of the CRT. Do not scratch or strike the CRT or subject it to unusual pressure. The CRT contains a high vacuum and breakage of the tube may result in injury from flying glass. As a precaution wear suitable clothing and eye protection.

1. Gain access to the upper monitor area. Refer to the Monitor - Back Cover Removal and Replacement procedure.
2. Discharge the CRT high voltage circuit and remove the flyback transformer anode cap. Figure 2-11 illustrates the proper method of discharging the CRT anode by using the shaft of an insulated screwdriver, to short the anode to the metalized surface of the CRT.
3. Disconnect connectors P3 and P4 (horizontal and vertical yoke deflection leads) from the video PCB. Refer to Figure 2-10.
4. Disconnect the CRT ground lead from the CRT socket PCB, and remove the socket PCB from the neck of the CRT.
5. Support the CRT and remove the four screws that secure it in the display swivel support. Remove the CRT from the monitor cabinet. Remove the grounding spring from the CRT.

REPLACEMENT

1. Install the grounding spring between the CRT upper left and lower right mounting tabs. Then position the CRT over its mounting holes in the display swivel support and secure it with the four screws removed in Step 5 above.
2. Install the CRT socket PCB on the neck of the CRT. Connect the ground lead from the CRT grounding spring to the CRT socket PCB. Refer to Figure 2-10.
3. Install connectors P3 and P4 on the video PCB.
4. Reconnect the flyback transformer anode cap to the CRT.
5. Perform any video alignments necessary.
6. Reinstall the back cover on the monitor. Refer to the Monitor - Back Cover Removal and Replacement procedure.

SECTION 3

ALIGNMENT

INTRODUCTION

The alignment parameters presented in this section are to be regarded as guidelines only and not as specifications criteria.

Video alignment of the QVT-102 is divided into the following alignment procedures. Note: These alignment procedures may be performed in any order.

- Horizontal Display Width,
- Vertical Display Height,
- Display Centering (Raster Tilt),
- Horizontal Linearity (Uniform Character Width),
- Vertical Linearity (Uniform Character Height),
- Brightness,
- Focus.

TOOLS AND EQUIPMENT REQUIRED

The following tools are required to perform video alignment of the QVT-102:

- Phillips Screwdriver,
- Small, Slotted, Non-metallic Screwdriver,
- QVT Alignment Tools Set (Q.P.N. 84841-XX),
 - . Display Template (refer to Figure 3-1a, Q.P.N. 84841-01),
 - . Vertical Template (refer to Figure 3-1b, Q.P.N. 84841-02),
 - . Horizontal Template (refer to Figure 3-1b, Q.P.N. 84841-03),
(A metric rule may be used in place of the above three templates.)
 - . 7/64 inch Alignment Tool (Q.P.N. 84841-04),
- Multimeter (for brightness and focus alignment procedures),
- Oscilloscope (for focus alignment procedure only).

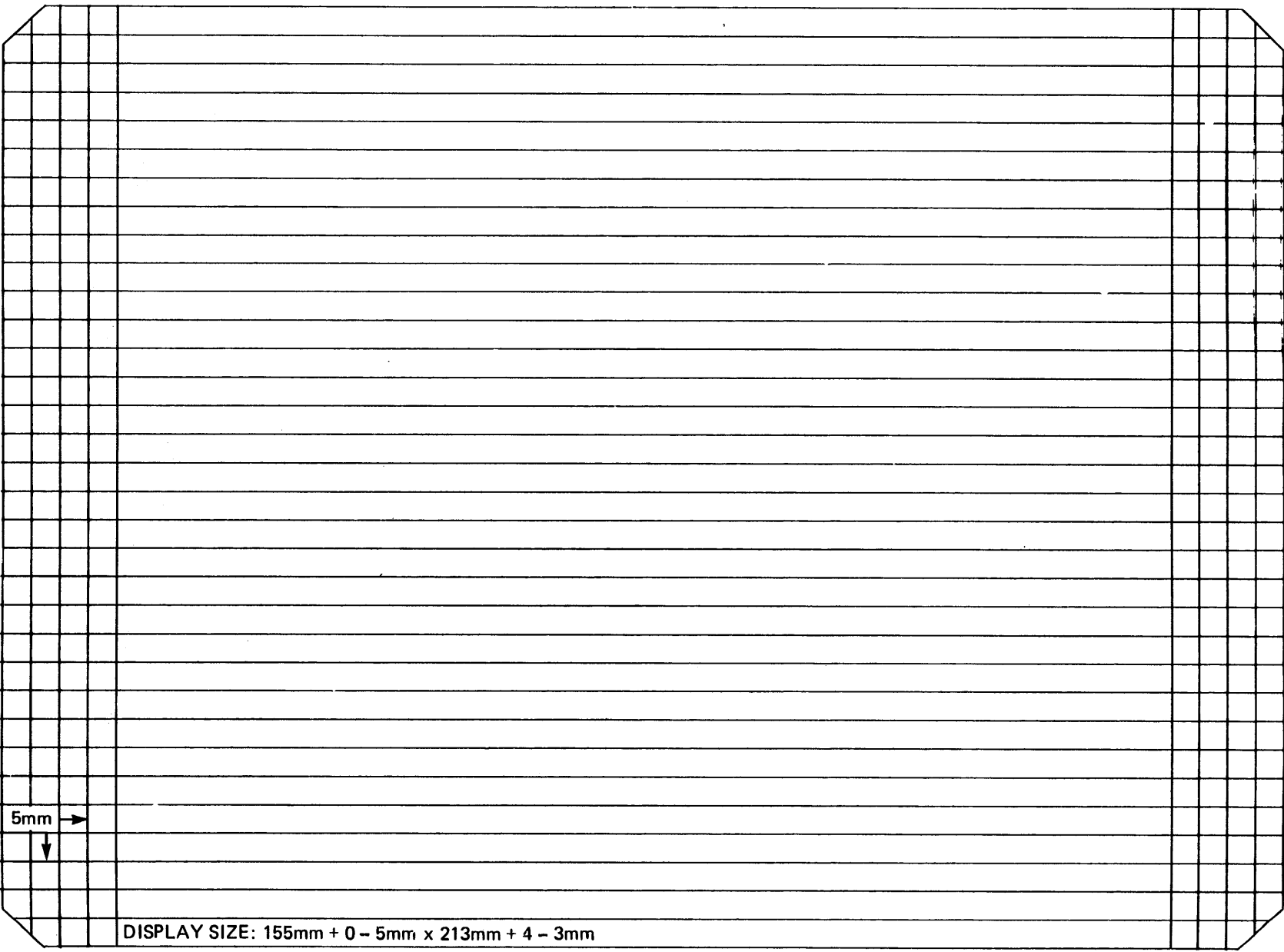
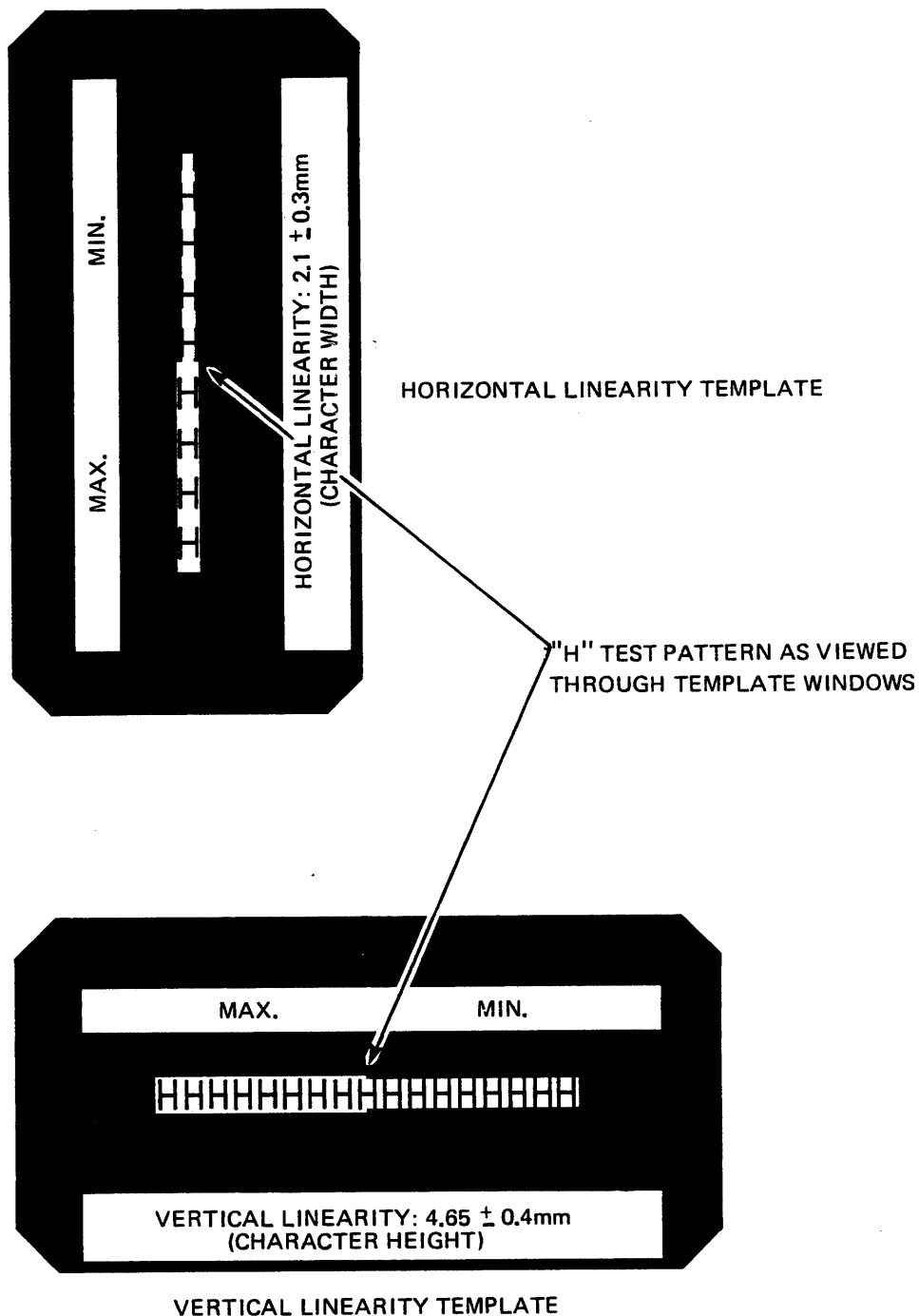


Figure 3-1a. QVT Alignment Tools Set (Display Template, Q.P.N. 84841-01)



787-A

Figure 3-1b. QVT Alignment Tools Set
(Vertical Template, Q.P.N. 84841-02; Horizontal Template, Q.P.N. 84841-03)

ALIGNMENT

ALIGNMENT CONDITIONS

All alignment procedures should be thoroughly read and only performed under the following conditions:

- Warm-up. Allow the terminal to stabilize at its operating temperature; approximately ten minutes.
- Back cover removed. Refer to the Monitor - Back Cover Removal and Replacement procedure.
- Local Mode. Configure the terminal for local mode operation.
- Standard Video/Reverse Video. Perform all alignment procedures in the terminal's normal operating display condition.
- "H" Test Pattern displayed. The terminal has a built-in test pattern that displays a full screen of "Hs," and identifies the firmware revision level. To display the "H" test pattern, simultaneously depress the Ctrl/Shift/Setup keys followed by the zero key. Refer to Figure 3-2.

CAUTION

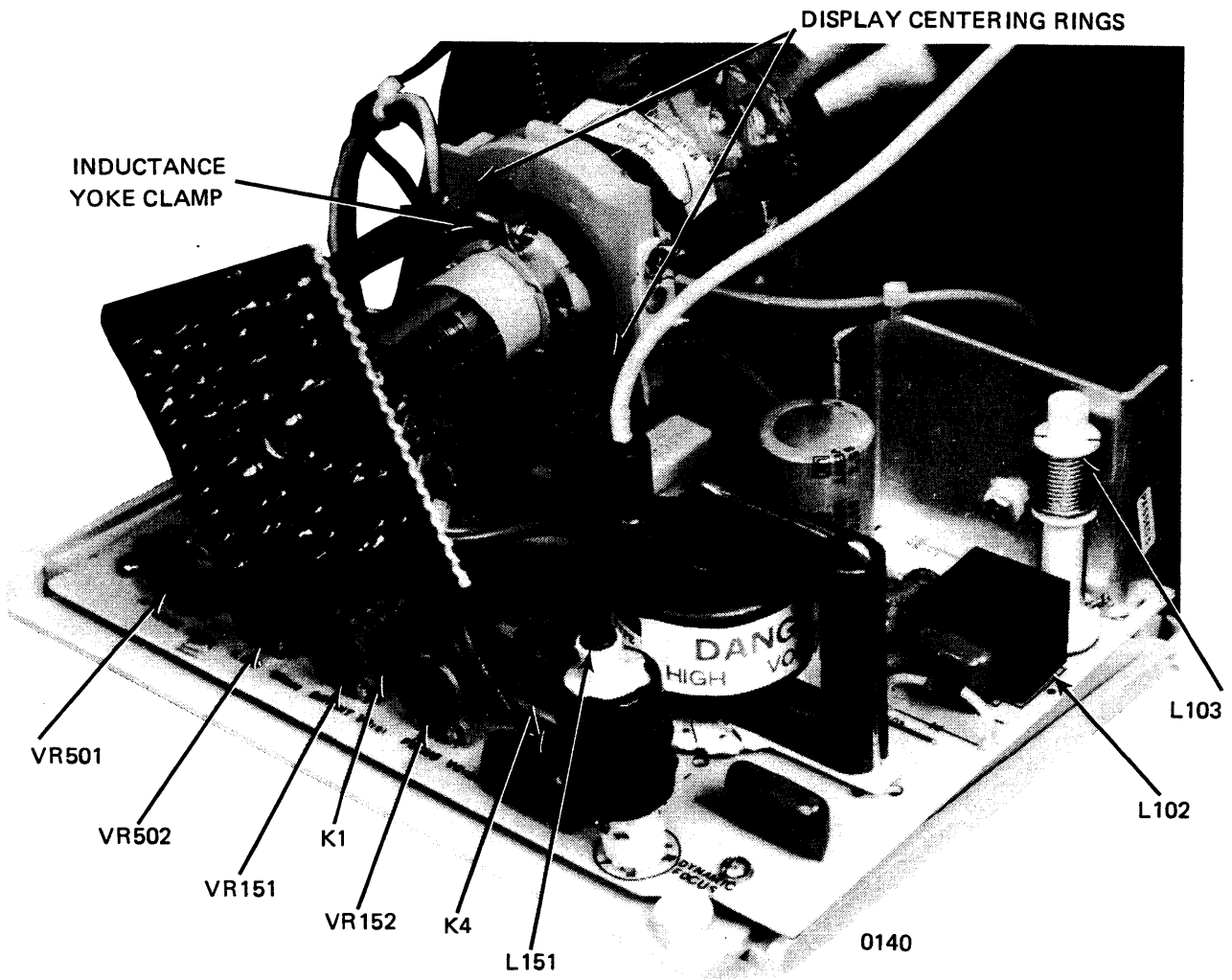
Take care when handling the CRT. Do not scratch or strike the CRT or subject it to unusual pressure. The CRT contains a high vacuum and breakage of the tube may result in injury from flying glass. As a precaution wear suitable clothing with eye protection.

Hazardous voltages are present in the general area of the flyback transformer lead and the CRT anode cap. Exercise caution to avoid electrical shock when performing any video alignment procedure. Remember that the terminal is powered ON.

ALIGNMENT

VIDEO ALIGNMENT PROCEDURES

Video alignment of the QVT-102 is accomplished by adjusting one or more of the adjustments illustrated in Figure 3-3. Each alignment procedure is described below.



LEGEND

| | |
|-----------------|--------------------------|
| VR501 | Vertical Display Height |
| VR502 | Vertical Linearity |
| VR151 | Brightness |
| VR152 and L151 | Focus |
| L103 | Horizontal Display Width |
| L102 | Horizontal Linearity |
| K1 and K4 | Test Points |
| Rings and Clamp | Display Centering |

Figure 3-3. Video Alignments

Horizontal Display Width (Line Width)

Horizontal display width is correctly adjusted when the width of a line of Hs in the "H" test pattern measures $213 \text{ mm} + 4 - 3 \text{ mm}$. If adjustment is required, proceed as follows:

1. Display the "H" test pattern (Ctrl/Shift/Setup-Zero).
2. Measure the first line of Hs with the Display Template (Q.P.N. 84841-01). Tape the template to the front bezel so that it is securely held in place over the display screen. A metric rule may be used if the template is not available.
3. If adjustment is required, rotate inductor L103 on the Video PCB (refer to Figure 3-3) with the 7/64 inch Alignment Tool (Q.P.N. 84841-04). Clockwise rotation of L103 increases line width and counter-clockwise rotation reduces line width.

Vertical Display Height

Vertical display height is correctly adjusted when a column of Hs in the "H" test pattern measures $155 \text{ mm} + 0 - 5 \text{ mm}$ from the bottom of the status line to the top of a an H character on the first line. If adjustment is required, proceed as follows:

1. Display the "H" test pattern (Ctrl/Shift/Setup-Zero).
2. Display the status line (Set 5 Status Line selection, or ESC }).
3. Measure the display height of a column with the Display Template (Q.P.N. 84841-01). Tape the template to the front bezel so that it is securely held in place over the display screen. A metric rule may be used if the template is not available.
4. If adjustment is required, rotate pot VR501 on the Video PCB (refer to Figure 3-3) with a small non-metallic screwdriver. Clockwise rotation of VR501 increases display height and counter-clockwise rotation reduces display height.
5. If desired, blank the status line (Set 5 Status Line selection, or ESC {).

Display Centering (Raster Tilt)

The display is considered to be centered and not tilted when the bottom edge of the status line and the top edge of the first line of Hs in the "H" test pattern measures $9 \pm 3 \text{ mm}$ from the bezel, and the left and right edges of the pattern measures $11 \pm 3 \text{ mm}$ from the bezel. If adjustment is required, proceed as follows:

1. Display the "H" test pattern (Ctrl/Shift/Setup-Zero).

ALIGNMENT

2. Position the Display Template (Q.P.N. 84841-01) over the "H" test pattern. Tape the template to the front bezel so that it is securely held in place. A metric rule may be used if the template is not available.
3. If a display centering adjustment is required, rotate the centering rings (refer to Figure 3-3) on the yoke of the CRT to center the display. If a gross centering adjustment of the display is required, loosen the inductance yoke clamp and verify that it is as far forward as possible on the neck of the CRT. Re-tighten the clamp, being careful not to over tighten it, and then repeat the centering adjustment with the centering rings.

Horizontal Linearity (Uniform Character Width)

Horizontal linearity, or uniform character width, is considered to be properly adjusted when a sampling of measurements taken at various locations of the "H" test pattern, reveals a character width of 2.1 ± 0.3 mm. If adjustment is required, proceed as follows:

1. Display the "H" test pattern (Ctrl/Shift/Setup-Zero).
2. Measure character width at five locations in the test pattern (near each corner and the center). If the Vertical Template (Q.P.N. 84841-02) is used, proper character width will appear too large for the Minimum window and too small for the Maximum window. A metric rule may be used if the template is not available.
3. If adjustment is required, locate inductor L102 on the Video PCB (refer to Figure 3-3). Using a small non-metallic screwdriver, rotate L102 clockwise to increase character width or counter-clockwise to reduce character width.

Vertical Linearity (Uniform Character Height)

Vertical linearity, or uniform character height, is considered to be properly adjusted when a sampling of measurements taken at various locations of the "H" test pattern, reveals a character height of 4.65 ± 0.4 mm. If adjustment is required, proceed as follows:

1. Display the "H" test pattern (Ctrl/Shift/Setup-Zero).
2. Measure character height at five locations in the test pattern (near each corner and the center). If the Horizontal Template (Q.P.N. 84841-03) is used, proper character height will appear too high for the Minimum window and too low for the Maximum window. A metric rule may be used if the template is not available.
3. If adjustment is required, locate pot VR502 on the Video PCB (refer to Figure 3-3). Using a small non-metallic screwdriver, rotate VR502 clockwise to increase character height or counter-clockwise to reduce character height.

Brightness

Display brightness can be adjusted as follows:

1. Clear the screen of all data by depressing the Shift and Clear/Home keys.
2. Rotate the external brightness control on the display module pedestal fully counter-clockwise.
3. Locate pot VR151 on the Video PCB (refer to Figure 3-3), and with a small non-metallic screwdriver, rotate it until the background raster is just visible.
4. Locate test point K1 on the Video PCB (refer to Figure 3-3) and measure the DC voltage between K1 and ground. Note: This voltage may be a positive or negative voltage. Record the voltage observed.
5. Rotate pot VR151 to reduce the voltage observed between K1 and ground by 2 volts.

Focus

Display focus can be adjusted as follows:

1. Display the "H" test pattern (Ctrl/Shift/Setup-Zero).
2. Set the oscilloscope controls as follows:
 - Volts/Div..... 100
 - Ms/Div..... 10
 - Coupling..... DC
 - Trigger..... CH1
 - Connect the signal probe to the junction of R154 and C156 (test point K4) on the Video PCB (refer to Figure 3-3). Connect the probe ground to ground.
3. Locate inductor L151 on the Video PCB (refer to Figure 3-3), and with the 7/64 inch Alignment Tool (Q.P.N. 84841-04), adjust L151 for a sine wave having an amplitude of approximately 250 volts peak-to-peak.
4. Locate pot VR152 on the Video PCB (refer to Figure 3-3), and with a small non-metallic screwdriver, adjust VR152 for optimum focus at the center of the display. Optimum focus occurs when the individual dots that form a character are well defined and clear.
5. Observe the scope and record the voltage offset between the negative peak of the sine wave and the ground reference. Record this value as amplitude "A".
6. Adjust pot VR152 for optimum focus near the corners of the display.

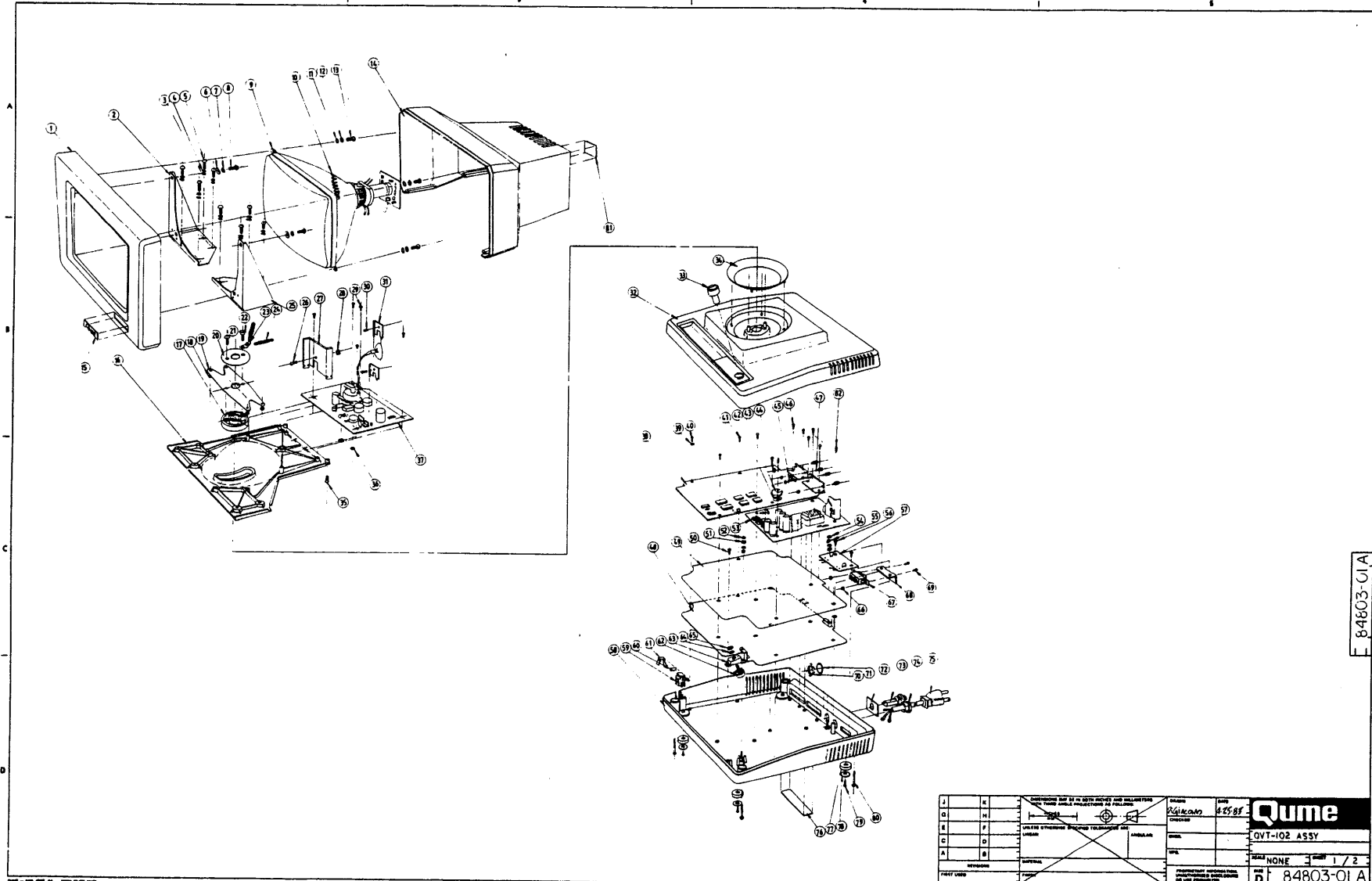
ALIGNMENT

7. Observe the scope and record the voltage offset between the positive peak of the sine wave and the ground reference. Record this value as amplitude "B".
8. Subtract amplitude "A" from amplitude "B" to obtain amplitude "C". That is: $B - A = C$.
9. Adjust inductor L151 until the peak-to-peak voltage of the sine wave equals the value of amplitude "C".
10. Adjust pot VR152 until the negative peak of the sine wave is offset from the ground reference by the value "A".
11. Observe the screen display and visually make any fine adjustments necessary.

SECTION 4

PARTS

This section presents an overall exploded view diagram of the QVT-102 for parts identification, followed by a list of recommended spares.



E 84803-01A

| | | |
|---|---|---|
| | | QVT-102 ASSY NONE 1 / 2 84803-01A |
| J | K | QVT-102 ASSY NONE 1 / 2 84803-01A |
| G | H | |
| E | F | |
| C | D | |
| A | B | |

Figure 4-1. QVT-102 Exploded View Diagram

| ITEM | QUME P/N | DESCRIPTION | | VENDOR'S P/N | ITEM | QUME P/N | DESCRIPTION | | VENDOR'S P/N |
|------|----------|--------------------------------|---|--------------|------|----------|----------------------------|---|--------------|
| 1 | 10,000 | FRONT PANEL | X | FACT1020004 | 58 | 10,044 | BOTTOM L.CAB | X | FANT1020007 |
| 2 | 10,001 | TUBE SUPPORT (R) | X | ECT1021201 | 59 | 10,045 | TL NODJACKBERG 65902-004 | X | DL070000201 |
| 3 | 10,002 | WASHER (FLAT) M4 | X | MC10000409 | 60 | 10,046 | INSULATION FILM (T/J) | X | EL300040000 |
| 4 | 10,002 | WASHER (SPRING) M4 X D7.6 X T1 | X | MC20000206 | 61 | 10,047 | T/J COVER | X | LC050000907 |
| 5 | 10,004 | SCREW M4 X 0.7 X 5 | X | MAA20003200 | 62 | 84801-01 | VR. VIGL4 NZSKC-B5K | X | CF15001100Z |
| 6 | 10,002 | WASHER (FLAT) M4 | X | MC10000409 | 63 | 10,048 | VR. SUPPORT | X | ECT10231106 |
| 7 | 10,003 | WASHER (SPRING) M4 X D7.6 X T1 | X | MC20000206 | 64 | 10,049 | WASHER M7 | X | |
| 8 | 10,005 | SCREW M4 X 0.7 X 10 | X | MAA20007205 | 65 | 10,050 | NUT M7 | X | |
| 9 | 10,006 | CAT C27452 12D 31V RB | X | AC300000500 | 66 | 10,023 | NUT M3 X B5.5 X H2.4 | X | MD200000108 |
| 10 | 10,007 | GROUND SPRING | X | EX0100001502 | 67 | 10,051 | SWITCH TB23 5B | X | DE412000101 |
| 11 | 10,002 | WASHER (FLAT) M4 | X | MC10000409 | 68 | 10,052 | P.S. SUPPORT | X | ECT10231103 |
| 12 | 10,008 | WASHER (IN LOCK) | X | MC300000800 | 69 | 10,053 | SCREW M3 X 0.5 X 6 | X | MAA200010206 |
| | 10,009 | M4 X DB.5 X T0.45 | X | | 70 | 10,054 | NUT (FUSE HOLDER) | X | |
| 13 | 10,005 | SCREW M4 X 0.7 X 10 | X | MAA20007205 | 71 | 10,055 | WASHER (FUSE HOLDER) | X | |
| 14 | 10,010 | UPPER CABINET | X | FAAT1020000 | 72 | 10,056 | FUSE NP | X | EJA00002004 |
| 15 | 10,011 | LOGO NP | X | EJ300009101 | 73 | 10,057 | FUSE HOLDER (L) | X | D4100000107 |
| 16 | 10,012 | TILT NECK | X | FALT1020003 | | 10,058 | SNK S-N1301-5 | X | |
| 17 | 10,013 | SLIDE BLOCK | X | FC000110008 | 74 | 10,059 | BUSHING HEYCO1214 | X | EC007161209 |
| 18 | 10,014 | SLIDE CHIP | X | FC000100002 | | 10,060 | SR6L-1 | X | |
| 19 | 10,015 | PRESSURE SPRING | X | EX030000102 | 75 | 10,061 | POWER CORD SET | X | GA0300010012 |
| 20 | 10,016 | WASHER (SLIDE F) | X | FC000130009 | 76 | 10,062 | SERIAL NAMEPLATE | X | EJ400001001 |
| 21 | 10,005 | SCREW M4 X 0.7 X 10 | X | MAA20007205 | 77 | 10,063 | R.B. CUSHION WASHER | X | LC100000409 |
| 22 | 10,017 | SCREW (NECK FIX) | X | MAA80001203 | 78 | 10,064 | CUSHION | X | LC090000100 |
| 23 | 10,018 | SPRING HOOK (NECK) | X | EX030000307 | 79 | 10,065 | SCREW M3TPA X 10 (C. SUNK) | X | MAA40001209 |
| 24 | 10,019 | TENSION SPRING | X | EX010000166 | 80 | 10,066 | SCREW M4 X 0.7 X 14 (HALF) | X | MAA20004206 |
| 25 | 10,020 | TUBE SUPPORT (L) | X | ECT1021105 | 81 | 10,067 | RATING NAME | X | EJ400009103 |
| 26 | 10,021 | SCREW M3 X 0.5 X 10 | X | MAA20009208 | 82 | 10,024 | SCREW M3TPA X 6 | X | MAB20003206 |
| 27 | 10,022 | HEAT SINK AL-5 | X | LC040000602 | | | | | |
| 28 | 10,023 | NUT M3 X B5.5 X H2.4 | X | MD200000108 | | | | | |
| 29 | 10,024 | SCREW M3TPA X 6 | X | MAB20003206 | | | | | |
| 30 | 10,025 | SCREW M3 X 0.5 X 8 | X | MAA20003205 | | | | | |
| 31 | 10,026 | HEAT SINK FE-1 | X | LC040000106 | | | | | |
| 32 | 10,027 | BOTTOM V CAB | X | FANT1020008 | | | | | |
| 33 | 10,028 | VR KNOB | X | FB21020001 | | | | | |
| 34 | 10,029 | SLIDE RING | X | FC000070006 | | | | | |
| 35 | 10,030 | SCREW M4 X 0.7 X 10 | X | MAA40001202 | | | | | |
| | 10,031 | (C'SINK) | X | | | | | | |
| 36 | 10,032 | NUT NO. 4-40 UNC | X | MD200000701 | | | | | |
| 37 | 84801-01 | VIDEO PCB VB-2 REV 6B | X | DA1102V203 | | | | | |
| 38 | 84800-01 | LOGIC BOARD LB-4 REV 6B | X | DA21102L103 | | | | | |
| 39 | 10,033 | WASHER M3 (EX. LOCK) | X | MC300000101 | | | | | |
| 40 | 10,034 | SCREW M3TPA X 10 | X | MAB20003200 | | | | | |
| 41 | 10,024 | SCREW M3TPA X 6 | X | MAB20003206 | | | | | |
| 42 | 10,035 | BATTERY POLE (-) | X | EFO2102108 | | | | | |
| 43 | 10,036 | BATTERY POLE (+) | X | EFO1102105 | | | | | |
| 44 | 10,023 | NUT M3 X B5.5 X H2.4 | X | MD200000108 | | | | | |
| 45 | 10,037 | GROUND PLATE | X | EFO1102104 | | | | | |
| 46 | 10,038 | SCREW M3TPA X 11 | X | MAB20018205 | | | | | |
| 47 | 10,039 | SCREW (D-TYPE CONN) | X | MAA30002104 | | | | | |
| 48 | 10,040 | ESD (PLATE) | X | EFO1102201 | | | | | |
| 49 | 10,041 | INSULATION FILM (ESD) | X | EL300030004 | | | | | |
| 50 | 10,024 | SCREW M3TPA X 6 | X | MAB20003206 | | | | | |
| 51 | 10,033 | WASHER (EX LOCK) M3 | X | MC300000101 | | | | | |
| 52 | 10,023 | NUT M3 X B5.5 X H2.4 | X | MD200000108 | | | | | |
| 53 | 10,042 | SWITCHING POWER S | X | PPT1020001 | | | | | |
| | 84804-01 | ASTEC - AC DISI | X | | | | | | |
| 54 | 10,023 | NUT M3 X B5.5 X H2.4 | X | MD200000108 | | | | | |
| 55 | 10,033 | WASHER (EX LOCK) M3 | X | MC300000101 | | | | | |
| 56 | 10,034 | SCREW M3TPA X 10 | X | MAB20002200 | | | | | |
| 57 | 10,013 | PCB FB1 REV0 | X | DALT1020055 | | | | | |

NOTE

Replacement parts are limited to those listed on the Recommended Spare Parts List.

NOTES: UNLESS OTHERWISE SPECIFIED.
 X INDICATES TO PURCHASE FROM VENDOR (NOT A QUME PART).

| | | | |
|-------------|------|---------------------------|---|
| DESIGNED BY | DATE | | Qume QVT-102 PARTS LIST SHEET 2 / - |
| CHECKED BY | DATE | | |
| APPROVED BY | DATE | PART NO. 84826-01A | |

Figure 4-1. QVT-102 Exploded View Diagram (Cont)

E 84826-01A

RECOMMENDED SPARE PARTS

Table 4-1 identifies all QVT-102 recommended spare parts.

Table 4-1. Recommended Spare Parts

| PART NUMBER | DESCRIPTION | QTY PER 1000 | QTY PER 10,000 |
|-------------|-----------------------------------|--------------|----------------|
| 84807-01 | Brightness Potentiometer Assembly | 15 | 50 |
| 84804-01 | Power Supply Assembly | 25 | 150 |
| 84805-01 | AC Line Switch | 15 | 50 |
| 84800-01 | Logic PCB Assembly, RS-232-C | 25 | 150 |
| 84800-02 | Logic PCB Assembly, Current Loop | 5 | 10 |
| 84806-01 | Battery, RAM Back-up | 10 | 25 |
| 84803-01 | CRT, Green | 5 | 25 |
| 84803-02 | CRT, Amber | 3 | 15 |
| 84811-01 | Keyboard Assembly | 25 | 150 |
| 84801-01 | Video PCB Assembly | 25 | 150 |
| 10028 | Brightness Potentiometer Knob | 10 | 50 |
| 10244 | Coiled Cable Assembly, Keyboard | 5 | 20 |
| 10281 | Wiring Harness Assembly, Main | 5 | 20 |
| 10146 | 2764 EPROM, IC U8 | 5 | 20 |
| 95855 | 8748 Microprocessor, Keyboard | 5 | 20 |
| 95803 | Character Generator EPROM, US | 5 | 20 |

SECTION 5

CIRCUITS AND DIAGRAMS

The following circuits and diagrams are provided for reference:

- Functional Block Diagram,
- Interconnect Wiring Diagram,
- Keyboard Schematic,
- Video PCB Schematic,
- Logic PCB Schematic (5 Sheets).

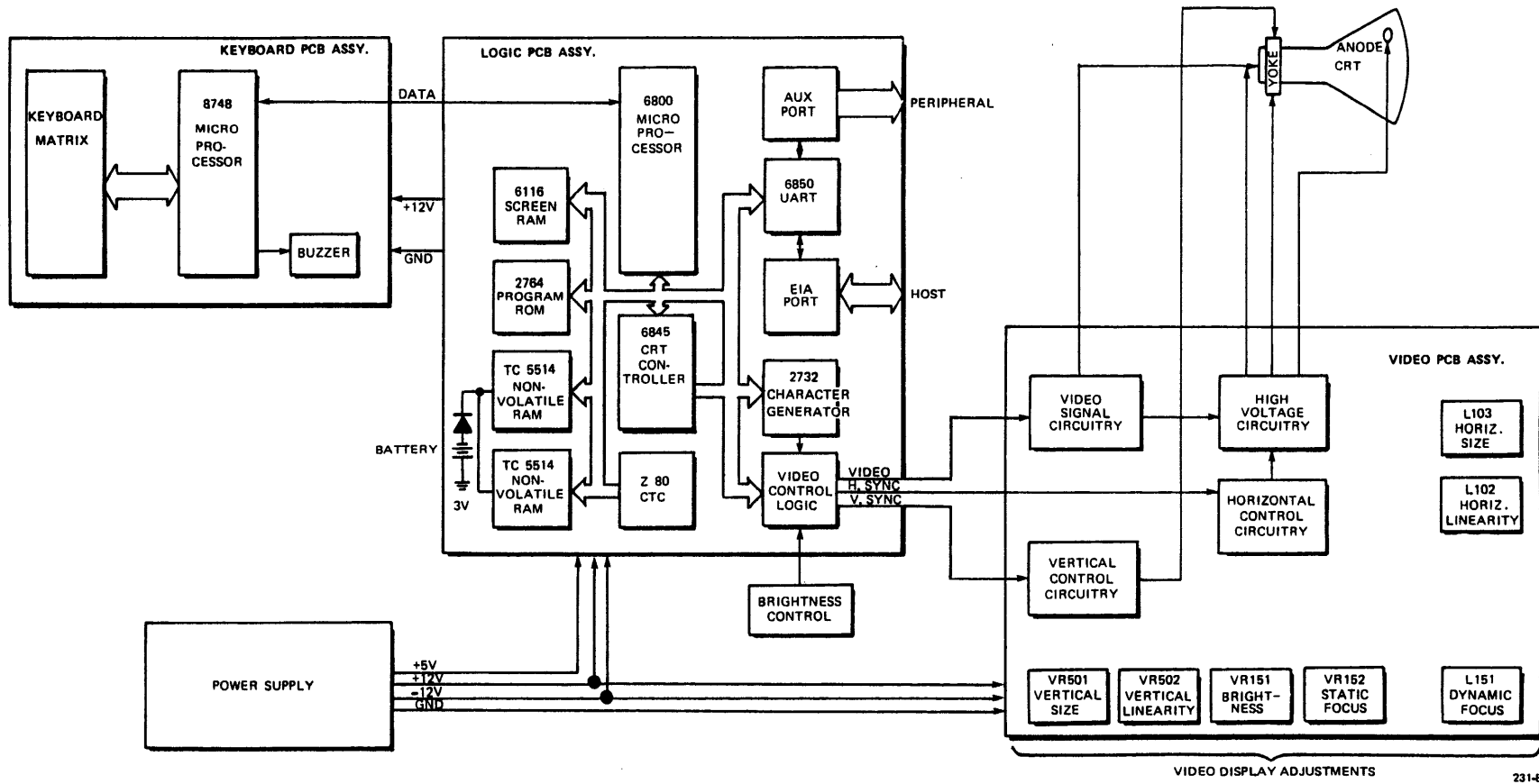
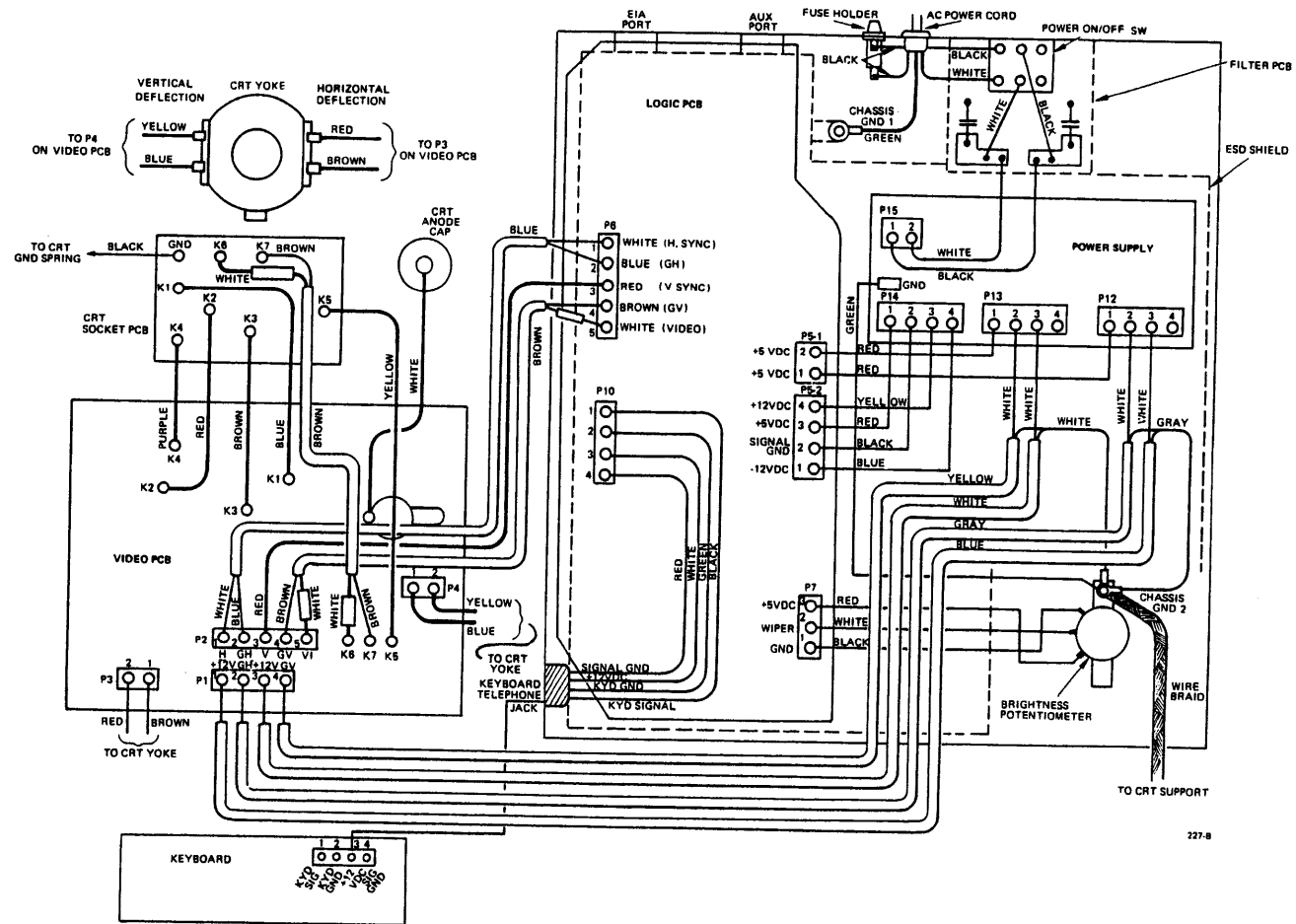


Figure 5-1. QVT-102 Functional Block Diagram



227-B

Figure 5-2. QVT-102 Interconnect Wiring Diagram

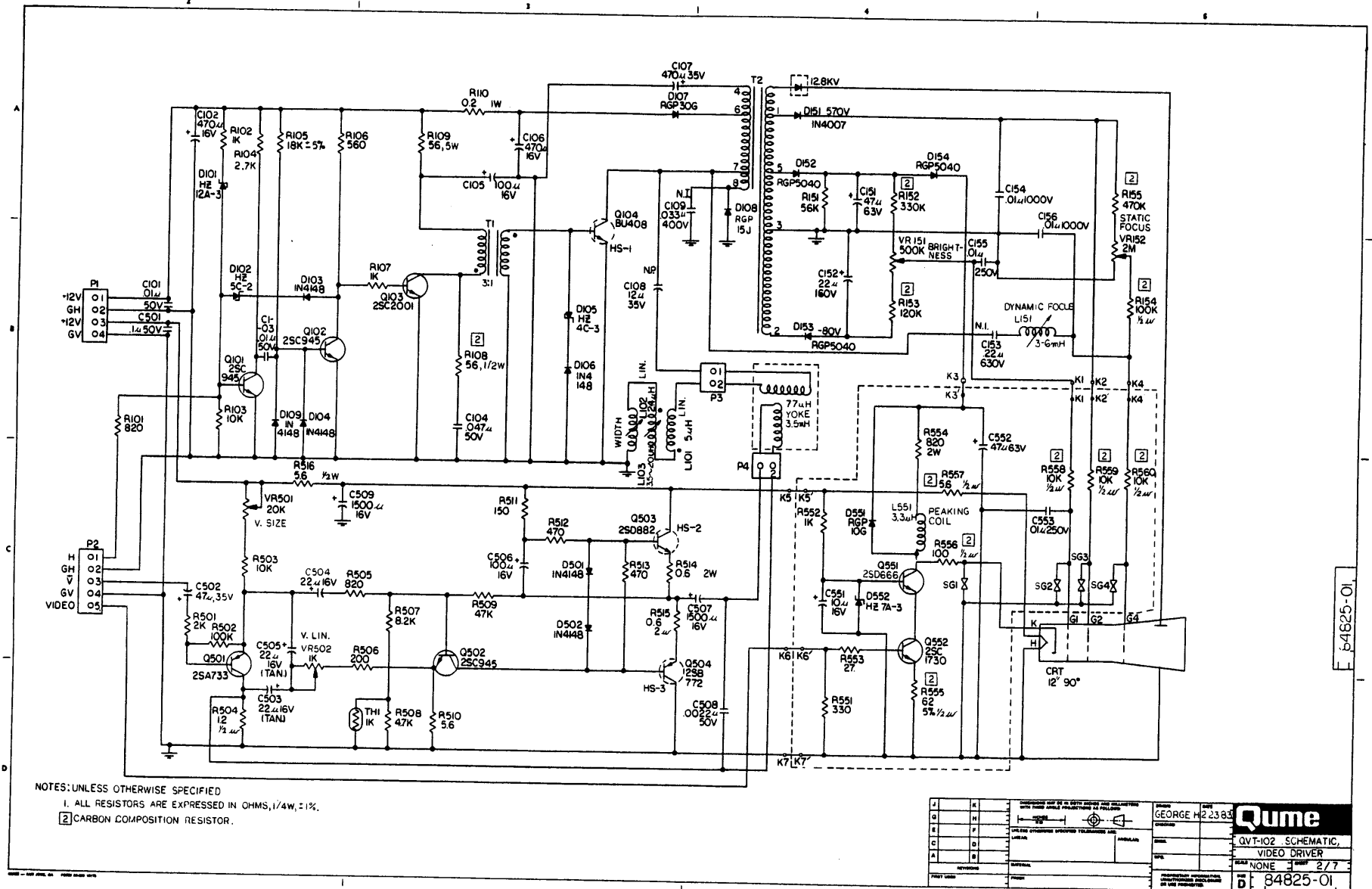
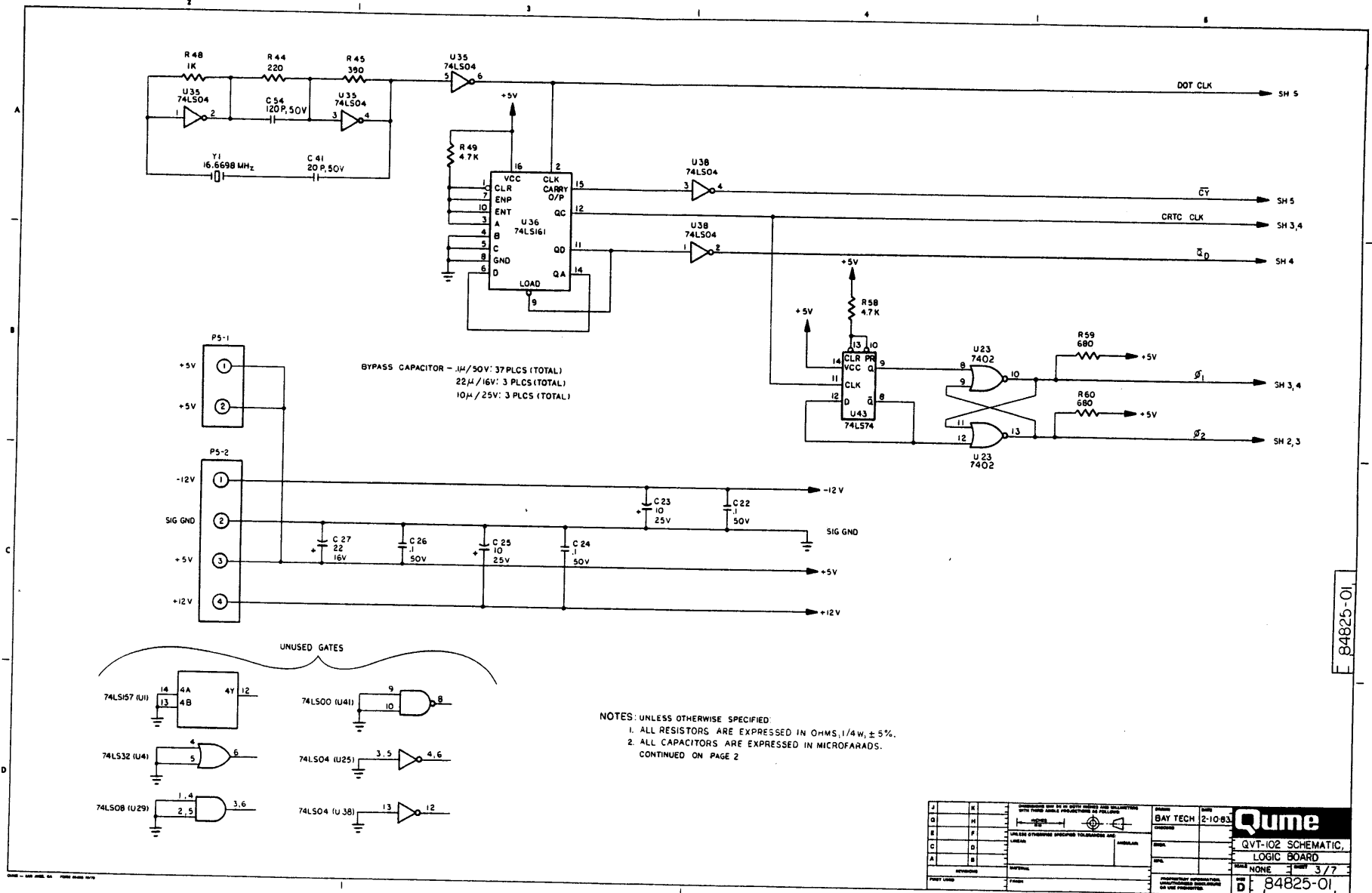


Figure 5-4. QVT-102 Video PCB Schematic



84825-01

Figure 5-5. QVT-102 Logic PCB Schematic

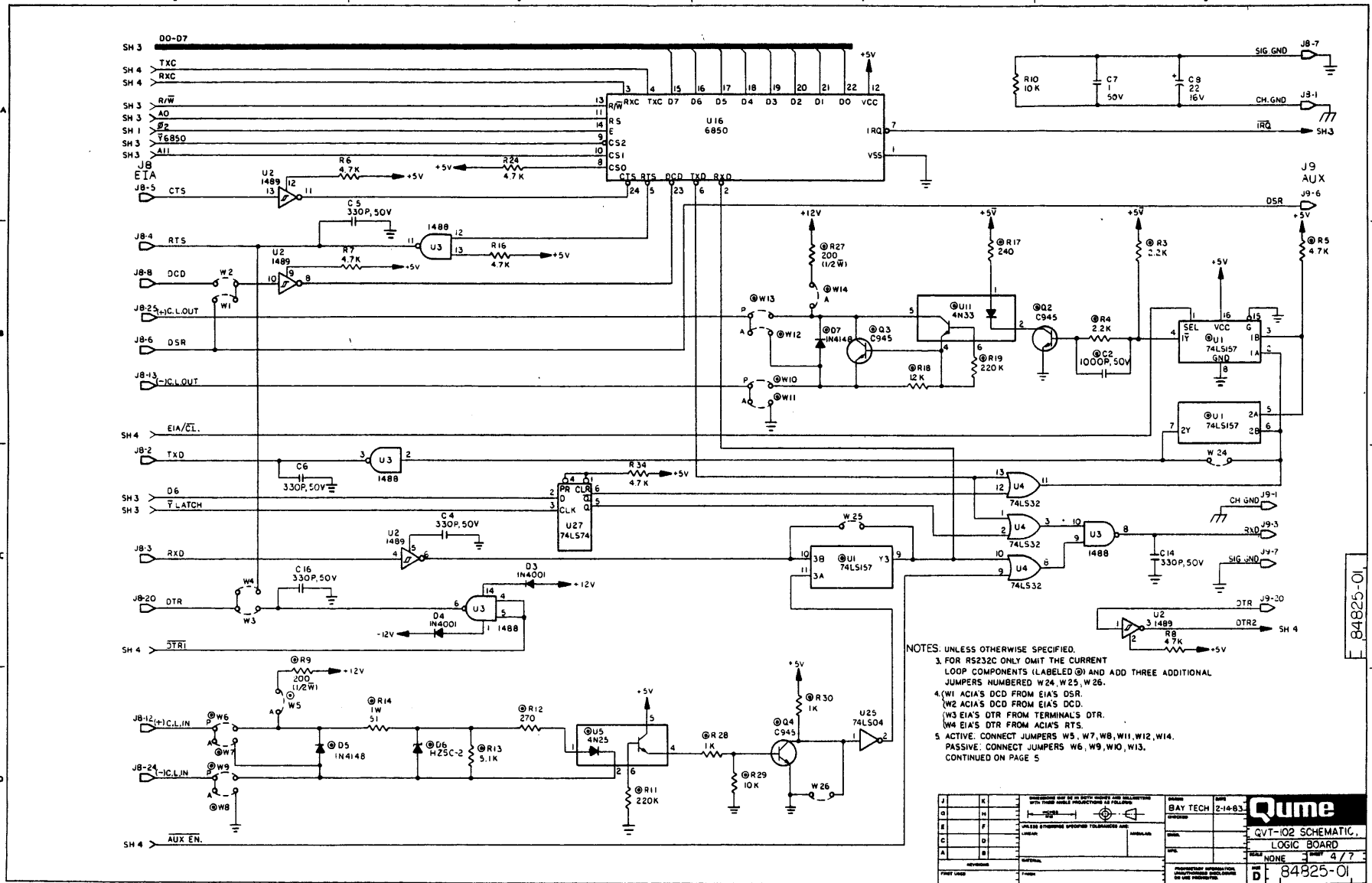


Figure 5-5. QVT-102 Logic PCB Schematic (Cont)

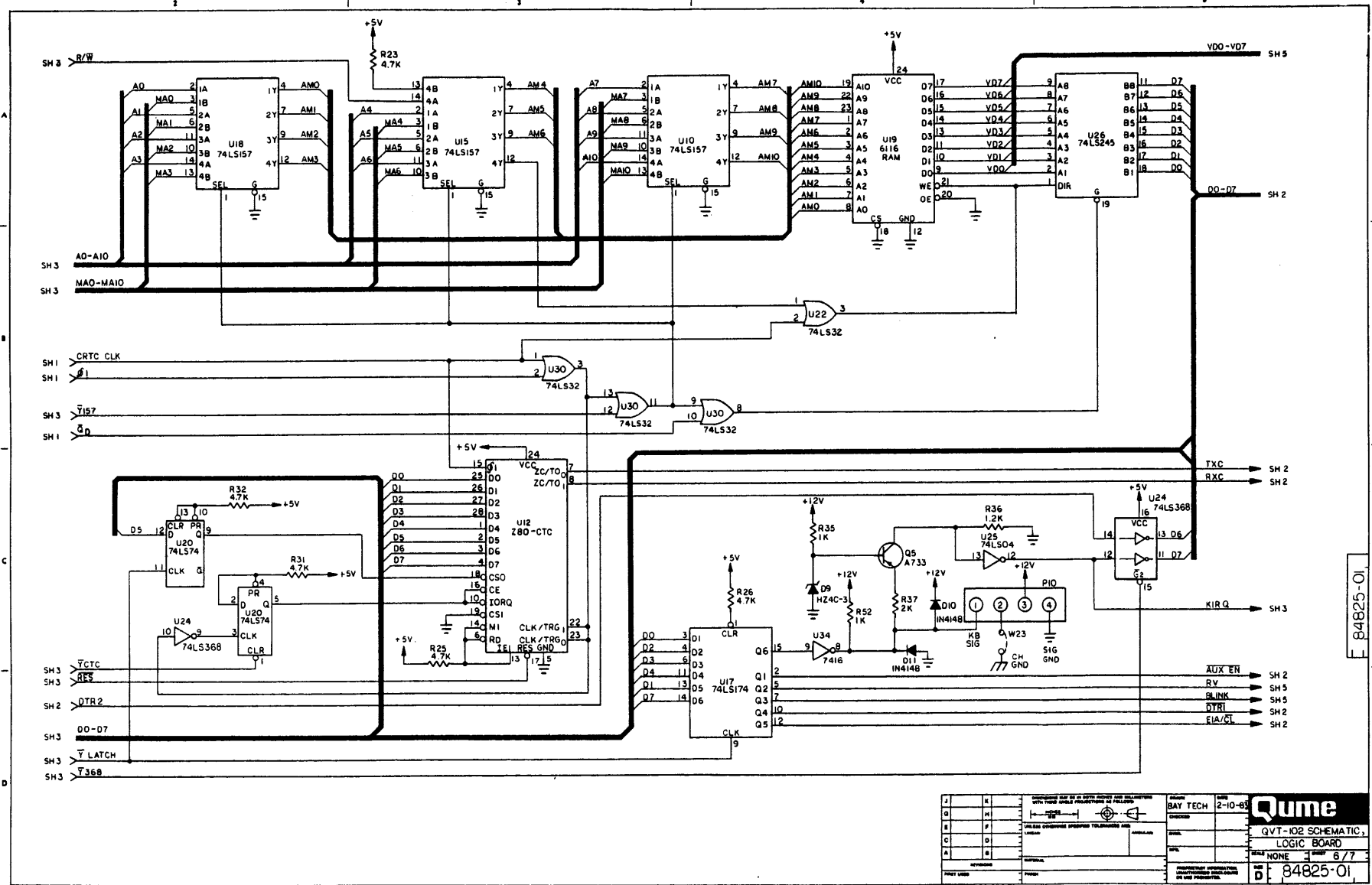


Figure 5-5. QVT-102 Logic PCB Schematic (Cont)

84825-01

| | | | | |
|--|---------|----------|------|-------|
| REV | DATE | BY | CHKD | APP'D |
| 1 | 2-10-85 | BAY TECH | | |
| <p>Qume QVT-102 SCHEMATIC LOGIC BOARD</p> | | | | |
| <p>DATE: NONE 6/7</p> | | | | |
| <p>REV: 84825-01</p> | | | | |

REQUEST FOR READER'S COMMENTS

Qume Corporation attempts to provide documents that meet the needs of all Qume product users. This form lets you participate directly in the documentation process.

Please restrict your comments to the usability, accuracy, readability, organization, and completeness of this document.

1. Please specify by page any errors you found in this manual.

2. Does the document cover the information you expected or required? Please make suggestions for improvement.

3. Is this the right type of document for your needs? Is it at the right level? What other types of documents are needed?

4. Did you have any difficulty understanding descriptions or wording? Where?

5. Please rate this document on a scale of 1 to 10 with 10 being the best rating _____

6. Dealer/Distributor where product purchased: _____

NAME _____ DATE _____

TITLE _____

COMPANY NAME/DEPARTMENT _____

ADDRESS _____

CITY _____ STATE _____ ZIP CODE _____

Please check here if you require a written reply.

WE'D LIKE YOUR COMMENTS . . .

This document is one of a series describing Qume products. Your comments on the back of this form will help us produce better manuals. Each reply will be carefully reviewed by the responsible person. All comments and suggestions become the property of Qume Corporation.

PLACE
POSTAGE
HERE

Qume Corporation
Attn: Technical Publications
2350 Qume Drive
San Jose, CA 95131

Free Manuals Download Website

<http://myh66.com>

<http://usermanuals.us>

<http://www.somanuals.com>

<http://www.4manuals.cc>

<http://www.manual-lib.com>

<http://www.404manual.com>

<http://www.luxmanual.com>

<http://aubethermostatmanual.com>

Golf course search by state

<http://golfingnear.com>

Email search by domain

<http://emailbydomain.com>

Auto manuals search

<http://auto.somanuals.com>

TV manuals search

<http://tv.somanuals.com>