

RADICA!

PLAY TV

Bass Fishin'
THE ORIGINAL BASS FISHIN' BRAND™



MODEL 71008 P/N 82358300 Rev.C
For 1 player / Ages 8 and up

INSTRUCTION MANUAL

WARNING: EPILEPSY AND SEIZURES READ BEFORE OPERATING YOUR PLAY TV

A few people may experience epileptic seizures when viewing flashing lights or patterns in our daily environment. These persons may experience seizures while watching TV pictures or playing video games. Players who have not had any seizures may nonetheless have an undetected epileptic condition.

Consult your physician before playing video games if you have an epileptic condition or experience any of the following symptoms while playing video games: altered vision, eye or muscle twitching, other involuntary movements, loss of awareness of your surroundings, mental confusion and/or convulsions.

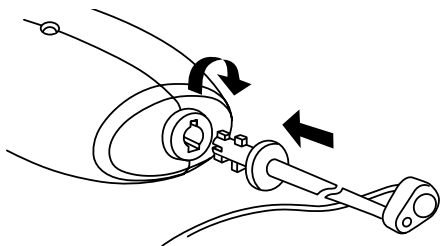
WARNING: Make sure you are located far enough from the TV and any other objects, people or animals to avoid striking anything or anyone when you cast and pull in the rod.

It's man against fish in this realistic fishing game and Fishing Legend Hank Parker is along for the ride! Set your ideal fishing conditions, choose a rod and lure and navigate your boat to the best bass bitin' areas. Along the way, Hank will offer advice to help you land the legendary Luncker.

SETTING UP PLAY TV BASS FISHIN'

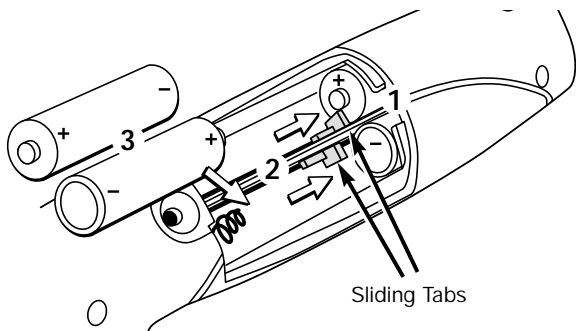
POLE INSTALLATION

Insert the pole as indicated in the diagram and turn the pole clockwise until it snaps into place.



BATTERY INSTALLATION AND REPLACEMENT

Loosen the screw on the side of the fishing rod battery compartment door with a screwdriver. Remove the battery compartment door and insert two (2) AA batteries (we recommend alkaline), first one on the left side and then one on the right side as indicated in the battery compartment. Move the sliding tabs to the end of the batteries. Then, insert two (2) additional AA batteries (we recommend alkaline) as above and as indicated in the battery compartment. Replace the battery compartment door and tighten the screw with a screwdriver. Do not over tighten.



ADULT SUPERVISION IS RECOMMENDED WHEN INSTALLING BATTERIES.

CONNECTING PLAY TV BASS FISHIN' TO YOUR TV OR VCR

CONNECTING TO YOUR TV

To connect Play TV Bass Fishin' directly to a TV, the TV must be equipped with audio and video input jacks. They are commonly found on the front of the TV near the contrast, color and picture adjustment controls; or on the back of the TV near the antennae and cable/satellite jacks.

- Insert the yellow video plug from the fishing rod into the Video-In (yellow) jack on the TV.
- Insert the white audio plug from the rod into the left Audio-In (white) jack on the TV.
- Set your TV to the appropriate video input mode. (See your TV's operating manual for details.)

CONNECTING TO YOUR VCR

If your TV does not have audio and video input jacks, you can connect Play TV Bass Fishin' to your VCR.

- Insert the yellow video plug from the fishing rod into the Video-In (yellow) jack on the VCR.
- Insert the white audio plug from the rod into the left Audio-In (white) jack on the VCR.
- Set your TV and VCR to the appropriate video input mode. (See your TV and VCR operating manuals for details.)

NOTE: If your TV or VCR does not have AV inputs, a "Y" adapter may be purchased separately at any electronics store.

ADULT SUPERVISION IS RECOMMENDED WHEN CONNECTING CABLES TO A TV AND VCR.



Download from [Www.Somanuals.com](http://www.Somanuals.com). All Manuals Search And Download.

BUTTON FUNCTIONS

Power (PWR) - Press this button to turn the game on or off.

Menu - Press this button any time during game play to view the Menu (Volume, Credits, Quit, Set-Up).

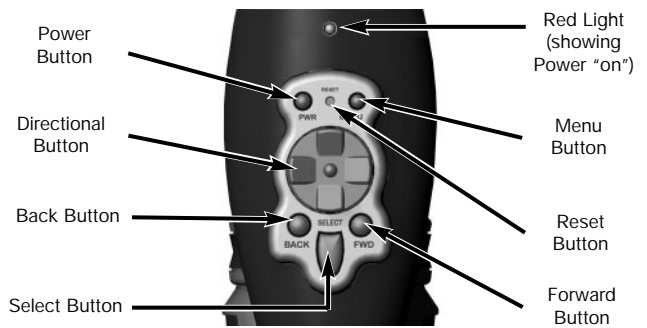
Directional - Press this button to scroll Up, Down, Left and Right through the on-screen options.

Forward (FWD) - Press this button to highlight the next available option.

Back - Press this button to highlight the previous available option.

Select - Press this button to choose a highlighted option.

Reset - Press this button, using a blunt object to reset the game in the event of a malfunction.



GETTING STARTED

Once Play TV Bass Fishin' is connected to your TV, turn on the TV and set it to the appropriate video input mode. (See your TV operating manual for details.) If Play TV Bass Fishin' is connected to your TV and VCR, turn on the TV and VCR and set both to the appropriate video input modes. (See your TV and VCR operating manuals for details.)

- Press the **Power** button on the fishing rod to turn on the power. A game demo will start to play.
- Press the **Select** button to interrupt the demo and go to the Main Menu screen.

MAIN MENU SCREEN

The Main Menu has five options: Go Fishing Now, Free Fishing Set-Up, Tournament Set-Up, Free Fishing High Score and Tournament High Score.

- Press the **Back** button or the **Forward** button to highlight the previous or next available option.
- Press the **Select** button to choose the highlighted option.

NOTE: If you select "Go Fishing Now," you'll automatically go to the fishing screen.

FREE FISHING MODE

This is a non-timed fishing session. If you land a big one, you'll get to enter your name in the High Score Sign-In screen. You can fish in this mode at three skill levels: Novice, Skilled or Expert.

TOURNAMENT MODE

This is a timed fishing session. Tournaments run from 6:30 AM to 5:30 PM in "game" time and are played for 24 minutes of "real" time. The combined weight of the top five catches will determine the tournament champions. Individual "biggest fish" awards are also given for the highest weights. You can fish in this mode at three skill levels: Novice, Skilled or Expert.

SET-UP SCREEN

If you select Free Fishing Set-Up or Tournament Set-Up from the Main Menu screen, you'll automatically go to the Set-Up screen. From here, you will select your skill level (Novice, Skilled or Expert); weather conditions (sunny, cloudy or rainy); and time of day (morning, afternoon or evening). (only available in Free Fishing Set-Up)

- Press the **Back** button or the **Forward** button to scroll through the options. The currently selected option will become highlighted.
- Press the **Select** button to choose the highlighted option.
- When you have finished making your selections, press the **Back** button or **Forward** button to highlight the OK icon. Press the **Select** button to continue.

To return to the previous screen, use the **Back** button or **Forward** button to highlight the back arrow. Press the **Select** button to return to the previous page.

MAP SCREEN

The Map Screen shows an overhead view of Lake Okeechobee, Florida. You will use this map to navigate your boat to your desired fishing location. On the right-hand side of the screen, you'll see a weather condition gauge, a water clarity indicator and a water temperature gauge. Below these devices is a Fish Finder, which displays the bottom-depth, terrain, and actual groups of fish for each area as you navigate your boat around the lake.



NOTE: In Tournament mode, a digital clock will appear on the Map Screen to show how much time has elapsed, including travel time.

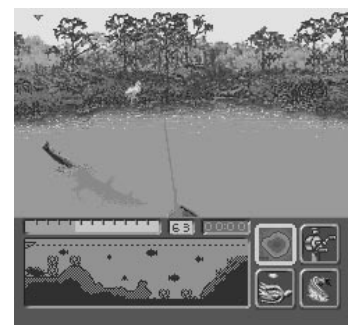
NAVIGATING YOUR BOAT

The red icon on the Map Screen represents your boat. The direction of the bow on the boat icon is the direction your boat is pointing. The blue layers represent the depth of the water, ranging from light blue (shallow) to dark blue (deep).

- Press the **Back** button or the **Forward** button to highlight the map.
- Use the **Directional** button to navigate your boat through the lake. Keep an eye on the Fish Finder for an area with plenty of bass.
- When you have selected an area, use the **Back** button or **Forward** button to highlight the lure icon at the top right-hand side of the screen
- Press the **Select** button to advance to the fishing screen. Good luck!

FISHING SCREEN

The fishing screen is divided into two sections: the top half displays the view of Lake Okeechobee from your boat. The bottom half of the screen shows the bottom of the lake, the location of your lure and the bass. You will also see a lineout indicator, a line tension indicator (in the form of a bar graph) and a digital countdown clock (active during Tournament mode).



The brown line on the screen represents your fishing rod. Use the **Directional** button to move your pole left and right before casting. The red dot represents your lure's destination point.

There are four icons on the bottom right-hand side of the screen. These icons represent Map Screen, Rod and Line, Tackle Box and Live Well.

- Press the **Back** button or **Forward** button to highlight one of the icons.
- Press the **Select** button to choose the highlighted icon.

NOTE: Selecting the Map Screen icon will take you back to the Map Screen to change the location of your boat, or view the weather and water conditions.



ROD AND LINE SCREEN

The Rod and Line Screen displays a selection of eight (8) rods, each equipped with varying weights of line.

- Use the **Back** button or **Forward** button to scroll through the rod choice.
- Use the **Directional** button to scroll through the rod descriptions.
- When you have chosen a rod, press the **Select** button.

TACKLE BOX SCREEN

The Tackle Box is filled with all of your lures.

There are five categories of lures: Soft, Jigs, Spinners, Cranks and Tops. When you select a category, you'll see a picture of each lure, along with a short text description of the lure and recommendations for weather and water conditions:

- Use the **Back** button or **Forward** button to scroll through the lure categories.

- Use the **Directional** button to scroll through the lure pictures and text descriptions as well as the text description in the text box.

- When you have chosen a lure, press the **Select** button.

For Example:

Worm - Black Grape

This is a great lure for murky water and sunny weather, especially when the water is warmer. Try a bottom-hopping retrieve with this Texas rigged worm.

NOTE: You will begin each game with a default lure.

LIVE WELL SCREEN

The Live Well screen shows you how many fish you have caught and the combined weight of all of the fish. You can hold up to six fish in the Live Well. If the Live Well is full, the smallest fish will go back in the water to make room for the new catch.

- Use the **Directional** button to scroll through the fish and view their weights.

- Press the **Select** button to return to the fishing screen.



CASTING YOUR LINE

Gently pull the Line Release toward you. Then flick the rod toward the TV, letting go of the Line Release at the same time. If your cast was successful, you'll hear the lure land in the water. The Lineout indicator will show you how far your line was cast. Your lure will appear as a red dot in the bottom half of the fishing screen.



ATTRACTING FISH

Once you cast your lure, you can use it to attract the fish. Turn the reel slowly to keep the lure moving through the water; otherwise, the lure will sink to the bottom. You may want to experiment with different lures, line weights, speed and lure movements (little jerks and drops) to see what works best for attracting the fish.

LURE CAM

When a fish comes within a certain range of your lure, a "Lure Cam" window will pop up and zoom in on it. This lets you see whether you're playing your lure to attract the fish, and when the fish finally takes the bait.

SETTING THE HOOK

When a fish bites your lure, the fishing rod will vibrate. You must jerk the rod back quickly and firmly to secure the fish and prepare for reeling it in.

- If you do not hook the fish, it will spit the lure out and go away.

REELING IT IN

Once you hook a fish, don't waste any time reeling it in. You'll need to keep your line tight enough with the drag and the reel so that the fish can not release, while still allowing enough slack to let the fish run without breaking the line. If your line snaps or you lose your rod, you will need to choose a new rod and/or lure.

ADJUSTING THE DRAG

To adjust the drag on your line, turn the drag dial located on the reel.



GREAT CATCH SCREEN

When you successfully land a largemouth bass, the Great Catch screen will pop up and Hank Parker will congratulate you: "Nice catch!". You'll also see the weight of your catch.

- If you want to put the fish in your Live Well, use the **Back** button or **Forward** button to highlight the Live Well icon. Press the **Select** button to return to the fishing screen.

- If you want to release the fish, use the **Back** or **Forward** buttons to highlight the word "Release". Press the **Select** button to return to the fishing screen.

HIGH SCORE SIGN-IN SCREEN

If the total weight of caught fish qualifies for the High Score, you will be asked to enter your name in the Sign-In screen.

- Use the **Directional** button to highlight a letter on the screen.
- When the correct letter is highlighted, press the **Select** button. The letter you have selected will appear in the box at the bottom of the screen.
- Continue highlighting and selecting letters to enter your name.
- When you are finished, use the **Back** button or **Forward** button to highlight the OK icon.
- Press the **Select** button to continue fishing.

TOURNAMENT OVER

When the designated time runs out, the Tournament Over screen will pop up and you will see your final rank. If the total weight of caught fish qualifies for the Winner's Circle, you will be taken to the Sign-In screen.

MAIN MENU

You can access the Main Menu at any time during game play by pressing the **Menu** button.

- Use the **Back** button or **Forward** button to scroll through the options.
- To select a highlighted option, press the **Select** button.

Volume - Use the **Directional** button to turn the game volume up or down.

Credits - Displays the game credits.

Quit - Quits the current game and takes you to the Main Menu screen.

Set-Up - Takes you to the Set-Up screen to change your game conditions.

TROUBLESHOOTING

- If you don't see the title screen after pressing the **Power** button, check to make sure the light on the rod is on. If the light is on and you still do not see the title screen, check to make sure the video and audio plugs are plugged into the correct locations on your TV or VCR and fresh batteries have been installed in the fishing rod.

- If you are having trouble casting the rod, check to make sure fresh batteries have been installed in the fishing rod.

- If your game still malfunctions, insert a pointed object into the **Reset** button to reset your game.

REPLACING THE BATTERIES

Loosen the screw on the side of the fishing rod battery compartment door with a screwdriver. Remove the battery compartment door and insert two (2) AA batteries (we recommend alkaline), first one on the left side and then one on the right side as indicated in the battery compartment. Move the sliding tabs to the end of the batteries. Then, insert two (2) additional AA batteries (we recommend alkaline) as above and as indicated in the battery compartment. Replace the battery compartment door and tighten the screw with a screwdriver. Do not over tighten.

Dual Power convenience: You may purchase an AC adapter separately at any electronics store. It should be 6V, 800 Milliamps, with a negative center.

ADULT SUPERVISION IS RECOMMENDED WHEN CHANGING BATTERIES.

CAUTION

- As with all small batteries, the batteries used with this game should be kept away from small children who might still put things in their mouths. If a battery is swallowed, consult a physician immediately.
- Be sure you insert the battery correctly and always follow the game and battery manufacturer's instructions.
- Do not dispose of batteries in fire.
- Batteries might leak if improperly installed, or explode if recharged, disassembled or heated.

MAINTENANCE

- Handle this game carefully.
- Store this game away from dusty or dirty areas.
- Keep this game away from moisture or extreme temperature.
- Do not disassemble this game. If a problem occurs, press the Reset button, or remove and replace the batteries to reset the game, or try new batteries. If problems persist, consult your warranty card for replacement instructions.
- Use only the recommended battery type.
- Do not mix old and new batteries.
- Do not mix alkaline, standard (carbon-zinc) or rechargeable (nickel-cadmium) batteries.
- Do not use rechargeable batteries.
- Do not attempt to recharge non-rechargeable batteries.
- Remove any exhausted batteries from the game.
- Do not short-circuit the supply terminals.
- Insert batteries with the correct polarity.

This device complies with Part 15 of the FCC Rules. Operation is subject to the following two conditions: (1) this device may not cause harmful interference, and (2) this device must accept any interference received, including interference that may cause undesired operation.

Warning: Changes or modifications to this unit not expressly approved by the party responsible for compliance could void the user's authority to operate the equipment.

NOTE: This equipment has been tested and found to comply with the limits for a Class B digital device, pursuant to Part 15 of the FCC Rules. These limits are designed to provide reasonable protection against harmful interference in a residential installation. This equipment generates, uses, and can radiate radio frequency energy and, if not installed and used in accordance with the instructions, may cause harmful interference to radio communications. However, there is no guarantee that interference will not occur in a particular installation. If this equipment does cause harmful interference to radio or television reception, which can be determined by turning the equipment off and on, the user is encouraged to try to correct the interference by one or more of the following measures:

- Reorient or relocate the receiving antenna.
- Increase the separation between the equipment and receiver.
- Connect the equipment into an outlet on a circuit different from that to which the receiver is connected.
- Consult the dealer or an experienced radio TV technician for help.

IMPORTANT: Before returning the unit for repair, test it with fresh alkaline batteries. Even new batteries may be defective or weak and low battery power is a frequent cause of unsatisfactory operation.

Please retain this for future reference.

RADICA:®
PLAY TV BASS FISHIN' IS A TRADEMARK OF
RADICA CHINA LTD.
© 2000 RADICA CHINA LTD. AND SSD COMPANY LTD.
PRODUCT SHAPE™
ALL RIGHTS RESERVED



Free Manuals Download Website

<http://myh66.com>

<http://usermanuals.us>

<http://www.somanuals.com>

<http://www.4manuals.cc>

<http://www.manual-lib.com>

<http://www.404manual.com>

<http://www.luxmanual.com>

<http://aubethermostatmanual.com>

Golf course search by state

<http://golfingnear.com>

Email search by domain

<http://emailbydomain.com>

Auto manuals search

<http://auto.somanuals.com>

TV manuals search

<http://tv.somanuals.com>