

WILDVIEW **XTRME SERIES**

STC-TGL2M / STC-TGL4M / STC-TGL5M

User's Manual



Toll Free Customer Support 1-888-304-6125

www.wildviewcam.com

Version 1.3

06/07

Wildview Series

**For Customer Service or Warranty Information Call
Toll Free**

888-304-6125

WILDVIEW

P.O. Box 535189

Grand Prairie, Texas 75053-5189

Wildview Limited Warranty

Your Wildview scouting camera is covered by a 90 days Limited Warranty on parts and labor from the date of original purchase, and purchases must be made through an authorized dealer. The warranty covers defects in workmanship and materials. The warranty does not apply to units, which have been damaged or abused intentionally or unintentionally. A purchase from individuals or unauthorized internet sites voids the warranty.

Tampering with or altering the unit will void the warranty. Any unauthorized service will void warranty. Original sales receipt must be produced for any warranty service and a Return Authorization (RA) number must be obtained from customer service at 888-304-6125 prior to returning product

www.wildviewcam.com

Toll Free 888-304-6125

2

Manual Contents

Camera overview	4
Camera kit contents	6
Battery and memory Installation	6
Definition	10
Programming	11
Mounting the camera	14
Viewing images	18
Saving and Deleting images	21
Memory compatibility chart	24
Technical Specs	25
General Information	28
Image Capacity Chart	30

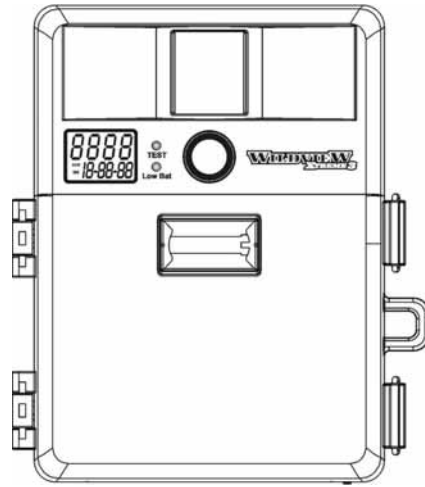
www.wildviewcam.com

Toll Free 888-304-6125

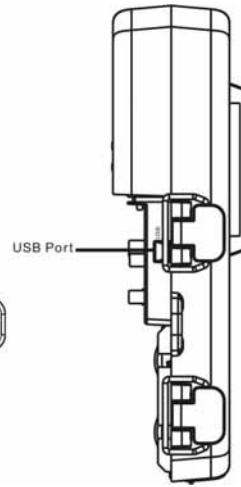
3

Camera overview

Front view

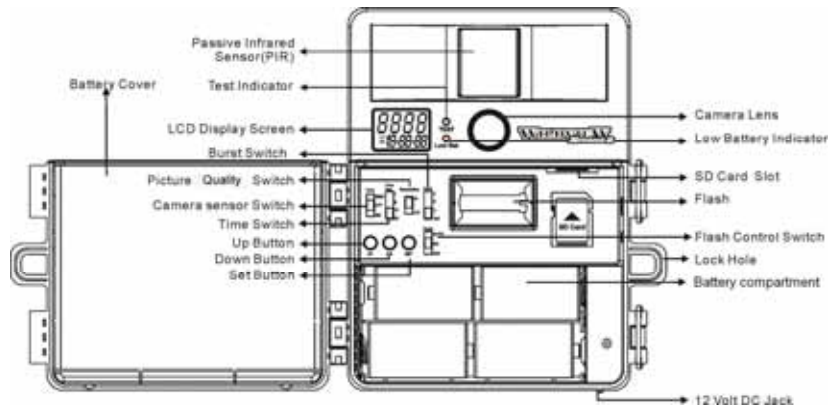


Side view



Wildview Series

Open view image with major parts indication



Camera kit contents

- Wildview series Digital Scouting Camera
- Camera driver
- User Manual
- USB cable
- Strap

Battery & memory installation

Warning: Do not use a different Voltage lead acid battery other than the one specified in this section. Doing so will damage the camera and will void the warranty.

The Wildview Digital Scouting Camera is designed to operate using alkaline batteries for optimum performance.

Wildview Series

NOTE: Always have camera in the OFF position when installing or removing batteries.

Batteries "C" cell

The internal battery compartment accepts 4 "C" cell batteries. Be sure to use high quality brand name alkaline batteries. Install batteries with correct polarity (+/-) as noted inside the battery compartment.

12V Lead Acid external battery

The Wildview Scouting Camera is equipped with an external power jack designed to accept a barrel plug cable to attach to a sealed lead acid battery. (sold separately). Battery cable and complete 12V Lead Acid battery kits are available wherever Wildview scouting cameras are sold or call toll free 888-304-6125. Only Wildview external battery accessories are recommended.

- Insert the battery pack plug into the DC 12V jack at the bottom of camera housing
- Turn on the camera by sliding the power switch to PIR position

www.wildviewcam.com

Toll Free 888-304-6125

7

Please make sure the voltage and polarity (+/-) are correct before connection. Incorrect voltage or polarity (+/-) will damage the camera.

Memory Options

Your Wildview scouting camera is equipped with the following:

Model	SDRAM
STC-TGL2M	16MB
STC-TGL4M	32MB
STC-TGL5M	32MB

The camera is also equipped with an expandable media card slot capable of accepting up to 2GB* SD card (sold separately). With no memory card inserted into the slot, the camera will use the built in SDRAM memory to store images. If an SD card is inserted into the slot then the camera will bypass the built in memory and utilize the SD memory. The front counter display will show the number

Wildview Series

of images on the built in memory unless the expansion card is inserted at which point the front counter will only display the number of images stored in the expansion card.

Inserting SD card

Make sure camera is in the OFF position whenever adding or removing memory.

- Insert SD memory card in to the SD card slot completely and in the correct direction as shown on the inside of the housing.
- To remove the SD memory card, depress the SD card and pull out the card gently.
- ❖ ***SD cards must be clean (no images from other sources.)***

Definition

- **Time out:** To set the amount of preset time in minutes the camera will sleep between PIR triggering
- **Resolution:** The resolution selection that you have selected.

Model	Hi	Low
STC-TGL2M	2.0M	0.3M
STC-TGL4M	4.0M	1.3M
STC-TGL5M	5.0M	3.0M

- **Date/Time:** To set date and time stamp in the picture
- **Flash:** Auto / On / Off mode
- **Burst:** To set the number of pictures the camera will take per PIR triggering
 - o 1P: Single image capturing per PIR triggering
 - o 2P: Two images continuous capturing per PIR triggering

Wildview Series

- o 3P: Three images continuous capturing per PIR triggering
- o AVI: 10 second video clip per PIR triggering
- **FULL:** When memory capacity is full, this front LCD screen will show "FULL"

Programming your Wildview Camera

The following setting must be performed before you turn on the camera.

1. Select the time out interval by sliding the time out toggle switch to the desired preset time interval in minutes. **1 / 5 / 10 / 20 minutes.**
2. Select the resolution setting by sliding the resolution toggle switch to the desired resolution setting. **Hi / Lo resolution.**
3. Select the Flash mode: Slide the switch to either **Auto / On / Off** position.
 - a. Auto – Flash on based on surround light

Wildview Series

conditions.

- b. On – Flash on for every image captured
 - c. Off – No Flash will go off.
4. Select Burst mode: Slide the switch to 1 / 2 / 3 / AVI position. If you choose AVI mode, the camera will automatically switch to 1 picture mode if it detects a low light source.
 5. Turn on the Camera to set the Date / Time stamp
 - a. Slide the power switch to the PIR position
 - b. Press and hold [SET] button for 2 seconds to enter date & time setting mode.
 - c. Time and HH will blink. Press [UP] or [DN] to adjust the hour
 - d. Press [SET] button to enter minute setting. Time and MM will blink. Press [UP] or [DN] to adjust the minute.
 - e. Press [SET] button to enter the month setting. Date & MM will blink. Press [UP] or [DN] to adjust month.

www.wildviewcam.com

Toll Free 888-304-6125

12

Wildview Series

- f. Press [SET] button to enter date setting. Date & DD will blink. Press [UP] or [DN] to adjust date.
- g. Press [SET] button to enter year setting. Date & YY will blink. Press [UP] or [DN] to adjust year.

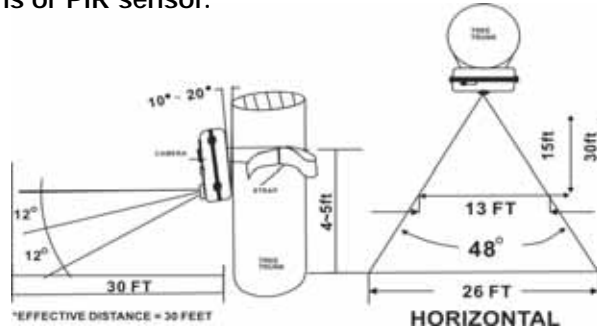
- h. Press and hold [SET] button for 2 seconds to exit the setting mode and enter into PIR count down mode. Display will show date and number of picture taken.

Once the program setting has been completed, slide the power switch to OFF position until you are ready for field use.

NOTE: Date & Time setting will be lost whenever the batteries are removed from camera. Don't forget to re-set the Date & Time stamp after you replace the batteries.

Mounting the camera

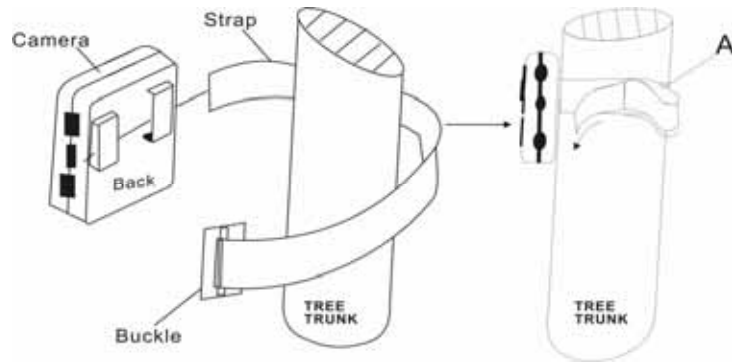
It is recommended that you mount the camera 4-5 ft off the ground with the camera pointed at a slight downward angle. Be sure to avoid mounting the camera facing east or west as the rising and setting of the sun could produce false triggers and overexposed images. Clear branches and other debris away from the front of the camera so as not to block the camera lens or PIR sensor.



PIR Coverage Area Diagram

Wildview Series

Mounting the camera with the supplied strap



- Insert the strap through the strap slots on the rear housing.
- Wrap the strap around the mounting surface. Secure the strap and tighten the buckle in order to secure the camera.

- ❖ *In order to obtain proper weather resistance, please make sure that both door latches are securely locked in place.*

Testing the camera coverage area

One of Wildview Scouting Camera's features is the ability to test the coverage area.

- After mounting the camera, open front housing and slide the power switch to Test position. The front LCD will display the word "tEST".
- Close the front housing.
- Walk around in the front of the camera to see if you have mounted the camera in the proper position. A green indicator light on the front will blink when you have intruded the coverage area.
- Adjust the camera position as needed and repeat testing until the desired coverage area is achieved.

Wildview Series

- When you have completed testing the coverage area, open the front housing and slide the power switch from Test position to PIR position. Front LCD counter will show "0000". The camera will enter count down mode for 1 minute and the front green indicator will start blinking, giving you one minute to leave the coverage area. Then camera will enter PIR detection mode.

NOTE: Make sure you slide the power switch from TEST mode to PIR mode before you leave the field. Otherwise the Camera will not take any pictures.

Switch use: Do not move the switch from TEST directly to PIR. Doing so will cause the camera to not operate. Slide the switch to OFF. Wait for the front LCD screen to turn off then continue to slide the switch to PIR.

Viewing images

Viewing images by computer download

The Wildview Scouting Camera is a plug and play USB storage device. This means users of Windows 2000 /ME / and XP operating systems need not install the camera driver. This camera is not MAC compatible. The CD-ROM included in this package contains the camera driver for older operating system only.

Attention

The software CD-ROM packaged with the camera is designed for PC's only (not MAC compatible). Playing this CD-ROM on a stereo or CD player may cause damage to it.

Driver installation

- Unplug the USB cable from PC.
- Insert the CDRom in CD driver of your PC.
- The auto-run program will execute.

www.wildviewcam.com

Toll Free 888-304-6125

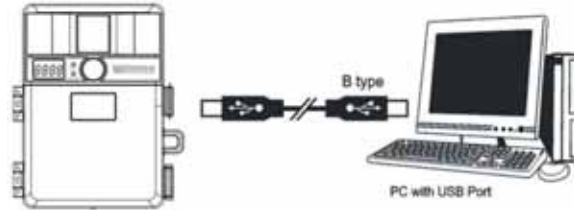
18

Wildview Series

- Follow the instructions shown on screen from your PC to completely install the driver and application program.
- If the existing DirectX version on your PC is lower than version 8, and if you have problems viewing the image with the standard software provided by Microsoft, then you should install DirectX 8
- Restart windows.
- Turn off the camera
- Connect your camera to the PC by the USB cable, the PC will recognize the new device and set up the configuration of the PC automatically. Front LCD on your camera will show the word "USB".

NOTE: Windows 98 users must install camera driver prior to connecting the USB cable.

Wildview Series



- If your computer doesn't run automatically, please click "Start" button and choose "Run", and then browse the CD drive and click "Setup".

Viewing the images on your computer

- Slide the power switch to OFF position.
- To view the images simply plug one end of the USB cable into an available USB port on your computer.
- Plug the other end of USB cable into the camera. The camera will automatically power ON. Front LCD screen will show "USb"
- At the same time, your computer will recognize the camera as a mass storage device and will be found under MY COMPUTER.

Saving and Deleting images

SAVING IMAGES

To save images on to your PC, simply copy and paste, or drag and drop from the SDRAM memory to your PC desk top.

DELETING IMAGES

There are two ways to delete the images from the internal SDRAM memory.

1. After you download the image onto your desk top, you can delete the image in the SDRAM: Unplug the USB Cable from camera. Slide the power switch to PIR position. LCD screen will display the number of images captured in the memory.
 - o Delete One picture:
 - a. Press [SET] button to enter delete setting. Display will show "ESC"
 - b. Press [UP] or [DN] to select d-ONE (delete one)
 - c. Press [SET] to delete the image. Press [UP]

Wildview Series

or [DN] until screen shows "ESC" then press [SET] again to exit.

- d. This will only delete the last image saved in the memory.
- o Delete All picture:
 - a. Press [SET] button to enter delete setting. Display will show "ESC"
 - b. Press [UP] or [DN] to select d-ALL (delete all)
 - c. Press [SET] to delete all images. The display will show "DONE" and will exit to count down mode automatically.
- o Format:
 - a. Press [SET] button to enter delete setting. Display will show "ESC"
 - b. Press [UP] or [DN] to select Ft (format)
 - c. Press [SET] to confirm. The display will show "DONE" and exit to count down mode automatically.

Wildview Series

- o ESC: To exit delete setting.
2. Simply remove the batteries from the battery compartment. This will delete the image stored in the internal SDRAM memory

CAUTION:

Do not remove the battery until you have down loaded all the images in the internal SDRAM. Once the battery is removed, all images in the internal SDRAM will be deleted. (This does not apply to images stored in SD card)

RED LED indicator will blink when battery is low. Turn off the camera. Down load the pictures immediately. DO NOT attempt to replace the batteries before you save the images in your PC. Once the battery is drained completely, or if you attempt to replace the battery, all images in the internal SDRAM memory will be lost.

SD card Compatibility Chart

The following cards have been tested and approved for use in the Wildview series model.

PQI	32MB, 64MB, 128MB, 256MB, 512MB
San Disk	32MB, 64MB, 128MB, 2GB
Panasonic	32MB, 64MB, 128MB,
Toshiba	32MB, 64MB, 128MB, 256MB, 512MB
King Mate	32MB, 64MB, 128MB, 256MB, 512MB
Lexar	256MB, 512MB
Kingston	128MB, 256MB, 512MB
Kodak	128MB, 256MB, 512MB
Dan-Elec	128MB, 256MB, 512MB
Viking	128MB
PNY	128MB, 256MB, 512MB, 2GB

Proper camera operation cannot be guarantee when using memory card **NOT** listed above.

Technical Specifications

System Requirements and Compatibility

- Windows 98/98se/2000/Me/XP.
- Pentium III 450MHz or equivalent processor.
- 128MB SDRAM or above.
- VGA Video Card with 32MB RAM for minimum, Color 16 bit or higher.
- An available CDROM driver and an available USB Port.
- 600 MB free hard disc space.
- ❖ *If you have any questions regarding your PC specifications please call your PC manufacturer.*

Wildview Series

Camera Features and Specification

Model	Mega Pixel	Built in Memory	Resolution Option		
			High	Low	Video
STC-TGL2M	2.0M	16MB	2.0M	0.3M	QVGA
STC-TGL4M	4.0M	32MB	4.0M	1.3M	QVGA
STC-TGL5M	5.0M	32MB	5.0M	3.0M	QVGA

- Auto white balance and auto expose.
- Auto/On/Off Flash light strobe control
 - o Flash Range – 30ft
- 4 digits LCD Image counter
- Battery low indicator
- Green Test LED indicator
- Focusing: 5 ft to Infinity
- High precision multi-layer glass lens with coating
- Effective viewing Angle: 52 deg

www.wildviewcam.com

Toll Free 888-304-6125

Wildview Series

- PIR detection angle 48 deg
- Low power consumption:
 - o Standby current: < 4.5mA
 - o Capture current: <120mA – STC-TGL2M
 - o Capture current: <150mA – STC-TGL4M & 5M
- Interface type: USB 1.0
- Power: C size alkaline Batteries x 4.
- Image format: Standard JPEG. & Motion JPEG (AVI)

General Information

Storing conditions

- Operating Environment: 14 to 104 deg F (-10 to 40 deg C). 20-85% relative humidity, non-condensation.

Special care instructions!!

- The camera is designed to be weather resistant. Never attempt to immerse the unit in water or any other liquid. This will damage the unit and void the warranty.
- Use a soft lens cloth for cleaning lens. Avoid touching lens with fingers.
- Remove dirt or stains with a soft cloth dampened with water or neutral detergent. Keep the Wildview scouting camera in a dry and cool dust-free environment or container when it is NOT used.
- Take the batteries out, when the Wildview scouting camera is NOT to be used over a long period.

Wildview Series

- Avoid dropping the Wildview scouting camera on to hard ground. Do not disassemble the Wildview scouting camera.
- Do not mix new and old batteries.
- Do not open the camera for unauthorized service. This could cause serious damage to the unit and will void the warranty.

This camera is a precision electronic device. Do not attempt to service this camera yourself, as opening or removing covers may expose you to dangerous voltage points or other risks.

Caution: When camera is switched off, if there is any residual power left in the camera, it will take an extra picture to discharge the left over power in the camera. Under low lighting condition, the flash will go off.

Wildview Series

Image Capacity Chart – STC-TGL2M

SD card	High	Low	AVI
Built In 16MB SDRAM	8	12	2
16MB	26	40	8
32MB	52	80	16
64MB	104	160	32
128MB	208	320	64
256MB	416	640	128
512MB	832	1280	256
1GB*	1664	2560	512
2GB*	3328	5120	1024

* Subject to card compatibility under different brand

Wildview Series

Image Capacity Chart – STC-TGL4M

SD card	High	Low	AVI
Built In 32MB SDRAM	7	16	5
16MB	11	26	8
32MB	22	52	16
64MB	44	104	32
128MB	88	208	64
256MB	176	416	128
512MB	352	832	256
1GB*	704	1664	512
2GB*	1408	3328	1024

* Subject to card compatibility under different brand

Wildview Series

Image Capacity Chart – STC-TGL5M

SD card	High	Low	AVI
Built In 32MB SDRAM	6	8	5
16MB	9	13	8
32MB	18	26	16
64MB	36	52	32
128MB	72	104	64
256MB	144	208	128
512MB	288	416	256
1GB*	576	832	512
2GB*	1152	1664	1024

* Subject to card compatibility under different brand

Wildview Series

NOTE: Image Capacity Chart provides approximate number of images or AVI movies based on resolution setting and the size of memory card. These figures may vary depending on the amount of detail in the image.

US Patents

6,735,387 / 6,768,868 / 6,834,162 / 7,149,422

Patents Pending

Free Manuals Download Website

<http://myh66.com>

<http://usermanuals.us>

<http://www.somanuals.com>

<http://www.4manuals.cc>

<http://www.manual-lib.com>

<http://www.404manual.com>

<http://www.luxmanual.com>

<http://aubethermostatmanual.com>

Golf course search by state

<http://golfingnear.com>

Email search by domain

<http://emailbydomain.com>

Auto manuals search

<http://auto.somanuals.com>

TV manuals search

<http://tv.somanuals.com>