



**SD Specifications**  
**Part E1**  
**SDIO Simplified Specification**

**Version 2.00**  
**February 8, 2007**

**Technical Committee**  
**SD Card Association**

## Revision History

Date	Version	Changes compared to previous issue
April 3, 2006	1.10	Simplified Version Initial Release
February 8, 2007	2.00	(1) Added method to change bus speed (Normal Speed up to 25MHz and High Speed up to 50 MHz) (2) Operational Voltage Requirement is extended to 2.7-3.6V (3) Combine sections 12 (Physical Properties) and 13 (Mechanical Extensions) and add miniSDIO to the new section 13 (Physical Properties) (4) Add Embedded SDIO ATA Standard Function Interface Code (5) Reference of Physical Ver2.00 supports SDHC combo card. (6) Some typos in Ver1.10 are fixed.

## **Release of SD Simplified Specification**

The following conditions apply to the release of the SD simplified specification ("Simplified Specification") by the SD Card Association. The Simplified Specification is a subset of the complete SD Specification which is owned by the SD Card Association.

### **Publisher:**

SD Association  
2400 Camino Ramon, Suite 375  
San Ramon, CA 94583 USA  
Telephone: +1 (925) 275-6615  
Fax: +1 (925) 886-4870  
E-mail: office@sdcard.org

### **Copyright Holder:**

The SD Card Association

### Notes:

This Simplified Specification is provided on a non-confidential basis subject to the disclaimers below. Any implementation of the Simplified Specification may require a license from the SD Card Association or other third parties.

### **Disclaimers:**

The information contained in the Simplified Specification is presented only as a standard specification for SD Cards and SD Host/Ancillary products and is provided "AS-IS" without any representations or warranties of any kind. No responsibility is assumed by the SD Card Association for any damages, any infringements of patents or other right of the SD Card Association or any third parties, which may result from its use. No license is granted by implication, estoppel or otherwise under any patent or other rights of the SD Card Association or any third party. Nothing herein shall be construed as an obligation by the SD Card Association to disclose or distribute any technical information, know-how or other confidential information to any third party.

## Conventions Used in This Document

### Naming Conventions

Some terms are capitalized to distinguish their definition from their common English meaning. Words not capitalized have their common English meaning.

### Numbers and Number Bases

Hexadecimal numbers are written with a lower case "h" suffix, e.g., FFFFh and 80h.

Binary numbers are written with a lower case "b" suffix (e.g., 10b).

Binary numbers larger than four digits are written with a space dividing each group of four digits, as in 1000 0101 0010b.

All other numbers are decimal.

### Key Words

May: Indicates flexibility of choice with no implied recommendation or requirement.

Shall: Indicates a mandatory requirement. Designers shall implement such mandatory requirements to ensure interchangeability and to claim conformance with the specification.

Should: Indicates a strong recommendation but not a mandatory requirement. Designers should give strong consideration to such recommendations, but there is still a choice in implementation.

### Application Notes

Some sections of this document provide guidance to the host implementers as follows:

Application Note:

This is an example of an application note.

# Table of Contents

<b>1. General Description .....</b>	<b>1</b>
1.1 SDIO Features .....	1
1.2 Primary Reference Document .....	1
1.3 Standard SDIO Functions.....	1
<b>2. SDIO Signaling Definition .....</b>	<b>2</b>
2.1 SDIO Card Types .....	2
2.2 SDIO Card modes .....	2
2.2.1 SPI (Card mandatory support) .....	2
2.2.2 1-bit SD Data Transfer Mode (Card Mandatory Support) .....	2
2.2.3 4-bit SD Data Transfer Mode (Mandatory for High-Speed Cards, Optional for Low-Speed).....	2
2.3 SDIO Host Modes .....	2
2.4 Signal Pins .....	3
<b>3. SDIO Card Initialization.....</b>	<b>4</b>
3.1 Differences in I/O card Initialization .....	4
3.2 The IO_SEND_OP_COND Command (CMD5).....	10
3.3 The IO_SEND_OP_COND Response (R4).....	11
3.4 Special Initialization considerations for Combo Cards.....	12
3.4.1 Re-initialize both I/O and Memory .....	12
3.4.2 Using a Combo Card as SDIO only or SD Memory only after Combo Initialization .....	12
3.4.3 Acceptable Commands after Initialization .....	12
3.4.4 Recommendations for RCA after Reset .....	12
3.4.5 Enabling CRC in SPI Combo Card.....	14
<b>4. Differences with SD Memory Specification.....</b>	<b>15</b>
4.1 SDIO Command List .....	15
4.2 Unsupported SD Memory Commands.....	15
4.3 Modified R6 Response .....	16
4.4 Reset for SDIO.....	16
4.5 Bus Width.....	16
4.6 Card Detect Resistor .....	17
4.7 Timings.....	17
4.8 Data Transfer Block Sizes .....	18
4.9 Data Transfer Abort .....	18
4.9.1 Read Abort .....	18
4.9.2 Write Abort .....	18
4.10 Changes to SD Memory Fixed Registers .....	18
4.10.1 OCR Register.....	19
4.10.2 CID Register.....	19
4.10.3 CSD Register .....	19
4.10.4 RCA Register .....	19
4.10.5 DSR Register .....	19
4.10.6 SCR Register .....	19
4.10.7 SD Status .....	19
4.10.8 Card Status Register .....	19
<b>5. New I/O Read/Write Commands .....</b>	<b>21</b>
5.1 IO_RW_DIRECT Command (CMD52) .....	21
5.2 IO_RW_DIRECT Response (R5) .....	22
5.2.1 CMD52 Response (SD modes).....	22
5.2.2 R5, IO_RW_DIRECT Response (SPI mode) .....	23
5.3 IO_RW_EXTENDED Command (CMD53).....	24
5.3.1 CMD53 Data Transfer Format.....	25

**SDIO Simplified Specification Version 2.00**

5.3.2	Special Timing for CMD53 Multi-Block Read .....	25
<b>6.</b>	<b>SDIO Card Internal Operation.....</b>	<b>26</b>
6.1	Overview .....	26
6.2	Register Access Time .....	26
6.3	Interrupts .....	26
6.4	Suspend/Resume .....	27
6.5	Read Wait.....	27
6.6	CMD52 During Data Transfer .....	27
6.7	SDIO Fixed Internal Map .....	27
6.8	Common I/O Area (CIA) .....	28
6.9	Card Common Control Registers (CCCR).....	28
6.10	Function Basic Registers (FBR) .....	35
6.11	Card Information Structure (CIS).....	37
6.12	Multiple Function SDIO Cards .....	37
6.13	Setting Block Size with CMD53 .....	37
6.14	Bus State Diagram .....	38
<b>7.</b>	<b>Embedded I/O Code Storage Area (CSA) .....</b>	<b>39</b>
7.1	CSA Access.....	39
7.2	CSA Data Format .....	39
<b>8.</b>	<b>SDIO Interrupts .....</b>	<b>40</b>
8.1	Interrupt Timing .....	40
8.1.1	SPI and SD 1-bit Mode Interrupts .....	40
8.1.2	SD 4-bit Mode .....	40
8.1.3	Interrupt Period Definition .....	40
8.1.4	Interrupt Period at the Data Block Gap in 4-bit SD Mode (Optional) .....	40
8.1.5	Inhibited Interrupts (Removed Section).....	40
8.1.6	End of Interrupt Cycles.....	40
8.1.7	Terminated Data Transfer Interrupt Cycle .....	41
8.1.8	Interrupt Clear Timing.....	41
<b>9.</b>	<b>SDIO Suspend/Resume Operation.....</b>	<b>42</b>
<b>10.</b>	<b>SDIO Read Wait Operation.....</b>	<b>43</b>
<b>11.</b>	<b>Power Control.....</b>	<b>44</b>
11.1	Power Control Overview.....	44
11.2	Power Control support for SDIO Cards .....	44
11.2.1	Master Power Control .....	44
11.2.2	Power Selection .....	45
11.2.3	High-Power Tuples.....	45
11.3	Power Control Support for the SDIO Host.....	45
11.3.1	Version 1.10 Host.....	45
11.3.2	Power Control Operation.....	46
<b>12.</b>	<b>High-Speed Mode .....</b>	<b>47</b>
12.1	SDIO High-Speed Mode.....	47
12.2	Switching Bus Speed Mode in a Combo Card.....	47
<b>13.</b>	<b>SDIO Physical Properties .....</b>	<b>48</b>
13.1	SDIO Form Factors .....	48
13.2	Full-Size SDIO .....	48
13.3	miniSDIO.....	48
<b>14.</b>	<b>SDIO Power.....</b>	<b>48</b>
14.1	SDIO Card Initialization Voltages .....	48
14.2	SDIO Power Consumption .....	48
<b>15.</b>	<b>Inrush Current Limiting.....</b>	<b>50</b>
<b>16.</b>	<b>CIS Formats .....</b>	<b>51</b>
16.1	CIS Reference Document .....	51

**SDIO Simplified Specification Version 2.00**

16.2	Basic Tuple Format and Tuple Chain Structure .....	51
16.3	Byte Order Within Tuples .....	51
16.4	Tuple Version .....	52
16.5	SDIO Card Metaformat.....	52
16.6	CISTPL_MANFID: Manufacturer Identification String Tuple .....	53
16.7	SDIO Specific Extensions.....	53
16.7.1	CISTPL_FUNCID: Function Identification Tuple.....	53
16.7.2	CISTPL_FUNCE: Function Extension Tuple .....	54
16.7.3	CISTPL_FUNCE Tuple for Function 0 (common).....	54
16.7.4	CISTPL_FUNCE Tuple for Function 1-7 .....	55
16.7.5	CISTPL_SDIO_STD: Function is a Standard SDIO Function.....	58
16.7.6	CISTPL_SDIO_EXT: Tuple Reserved for SDIO Cards.....	58
<b>Appendix A</b>	.....	<b>59</b>
A.1	SD and SPI Command List.....	59
<b>Appendix B</b>	.....	<b>61</b>
B.1	Normative References .....	61
<b>Appendix C</b>	.....	<b>62</b>
C.1	Abbreviations and Terms .....	62
<b>Appendix D</b>	.....	<b>64</b>

# Table of Tables

Table 3-1 OCR Values for CMD5 .....	10
Table 4-1 Unsupported SD Memory Commands .....	16
Table 4-2 R6 response to CMD3 .....	16
Table 4-3 SDIO R6 Status Bits .....	16
Table 4-4 Combo Card 4-bit Control .....	17
Table 4-5 Card Detect Resistor States .....	17
Table 4-6 is blanked .....	17
Table 4-7 SDIO Status Register Structure .....	20
Table 5-1 Flag data for IO_RW_DIRECT SD Response .....	23
Table 5-2 IO_RW_EXTENDED command Op Code Definition .....	24
Table 5-3 Byte Count Values .....	25
Table 6-1 Card Common Control Registers (CCCR) .....	29
Table 6-2 CCCR bit Definitions .....	34
Table 6-3 Function Basic Information Registers (FBR) .....	35
Table 6-4 FBR bit and field definitions .....	36
Table 6-5 Card Information Structure (CIS) and reserved area of CIA .....	37
Table 11-1 Reference Tuples by Master Power Control and Power Select .....	45
Table 16-1 Basic Tuple Format .....	51
Table 16-2 Tuples Supported by SDIO Cards .....	52
Table 16-3 CISTPL_MANFID: Manufacturer Identification Tuple .....	53
Table 16-4 CISTPL_FUNCID Tuple .....	53
Table 16-5 CISTPL_FUNCCE Tuple General Structure .....	54
Table 16-6 TPLFID_FUNCTION Tuple for Function 0 (common) .....	54
Table 16-7 TPLFID_FUNCTION Field Descriptions for Function 0 (common) .....	54
Table 16-8 TPLFID_FUNCTION Tuple for Function 1-7 .....	55
Table 16-9 TPLFID_FUNCTION Field Descriptions for Functions 1-7 .....	57
Table 16-10 TPLFE_FUNCTION_INFO Definition .....	57
Table 16-11 TPLFE_CSA_PROPERTY Definition .....	57
Table 16-12 CISTPL_SDIO_STD: Tuple Reserved for SDIO Cards .....	58
Table 16-13 CISTPL_SDIO_EXT: Tuple Reserved for SDIO Cards .....	58
Table A-14 SD Mode Command List .....	59
Table A-15 SPI Mode Command List .....	60



# Table of Figures

Figure 2-1 Signal connection to two 4-bit SDIO cards .....	3
Figure 3-1 SDIO response to non-I/O aware initialization.....	4
Figure 3-2 Card initialization flow in SD mode (SDIO aware host) .....	7
Figure 3-3 Card initialization flow in SPI mode (SDIO aware host).....	9
Figure 3-4 IO_SEND_OP_COND Command (CMD5).....	10
Figure 3-5 Response R4 in SD mode .....	11
Figure 3-6 Response R4 in SPI mode .....	11
Figure 3-7 Modified R1 Response .....	11
Figure 3-8 Re-Initialization Flow for I/O Controller .....	13
Figure 3-9 Re-Initialization Flow for Memory controller .....	13
Figure 5-1 IO_RW_DIRECT Command.....	21
Figure 5-2 R5 IO_RW_DIRECT Response (SD modes).....	22
Figure 5-3 IO_RW_DIRECT Response in SPI Mode.....	23
Figure 5-4 IO_RW_EXTENDED Command.....	24
Figure 6-1 SDIO Internal Map.....	28
Figure 6-2 State Diagram for Bus State Machine.....	38

# 1. General Description

The SDIO (SD Input/Output) card is based on and compatible with the SD memory card. This compatibility includes mechanical, electrical, power, signaling and software. The intent of the SDIO card is to provide high-speed data I/O with low power consumption for mobile electronic devices. A primary goal is that an SDIO card inserted into a non-SDIO aware host shall cause no physical damage or disruption of that host or its software. In this case, the SDIO card should simply be ignored. Once inserted into an SDIO aware host, the detection of the card proceeds via the normal means described in this specification with some extensions. In this state, the SDIO card is idle and draws a small amount of power (15 mA averaged over 1 second). During the normal initialization and interrogation of the card by the host, the card identifies itself as an SDIO card. The host software then obtains the card information in a tuple (linked list) format and determines if that card's I/O function(s) are acceptable to activate. This decision is based on such parameters as power requirements or the availability of appropriate software drivers. If the card is acceptable, it is allowed to power up fully and start the I/O function(s) built into it.

## 1.1 SDIO Features

- Targeted for portable and stationary applications
- Minimal or no modification to SD Physical bus is required
- Minimal change to memory driver software
- Extended physical form factor available for specialized applications
- Plug and play (PnP) support
- Multi-function support including multiple I/O and combined I/O and memory
- Up to 7 I/O functions plus one memory supported on one card.
- Allows card to interrupt host
- Operational Voltage range: 2.7-3.6V (Operational Voltage is used for Initialization)
- Application Specifications for Standard SDIO Functions.
- Multiple Form Factors:
  - Full-Size SDIO
  - miniSDIO

## 1.2 Primary Reference Document

This specification is based on and refers extensively to the SDA document:  
SD Memory Card Specifications  
Part 1 PHYSICAL LAYER SPECIFICATION Version 2.00 May 9, 2006

The reader is directed to this document for more information on the basic operation of SD cards. In addition, other documents are referenced in this specification. A complete list can be found in appendix B.1.

This specification can apply to any released versions of Physical Layer Specification after Version 2.00.

## 1.3 Standard SDIO Functions

Associated with the base SDIO specification, there are several Application Specifications for Standard SDIO Functions. These common functions such as cameras, Bluetooth cards and GPS receivers have a standard register interface, a common operation method and a standard CIS extension. Implementation of the standard interfaces are optional for any card vendor, but compliance with the standard allows the use of standard drivers and applications which will increase the appeal of these cards to the consumer. Full information on these standard interfaces can be found in the Application Specifications for Standard SDIO Functions maintained by the SDA.

## 2. SDIO Signaling Definition

### 2.1 SDIO Card Types

This specification defines two types of SDIO cards. The Full-Speed card supports SPI, 1-bit SD and the 4-bit SD transfer modes at the full clock range of 0-25MHz. The Full-Speed SDIO cards have a data transfer rate of over 100 Mb/second (10 MB/Sec). A second version of the SDIO card is the Low-Speed SDIO card. This card requires only the SPI and 1-bit SD transfer modes. 4-bit support is optional. In addition, Low-Speed SDIO cards shall support a full clock range of 0-400 KHz. The intended use of Low-Speed cards is to support low-speed I/O capabilities with a minimum of hardware. The Low-Speed cards support such functions as modems, bar-code scanners, GPS receivers etc. If a card is a 'Combo card' (memory plus SDIO) then Full-Speed and 4-bit operation is mandatory for both the memory and SDIO portions of the card.

### 2.2 SDIO Card modes

There are 3 signaling modes defined for SD memory cards that also apply to SDIO Card:

#### 2.2.1 SPI (Card mandatory support)

The SPI bus topology is defined in section 3.5.2 and the protocol is defined in sections 3.6.2 and 7 of the SD Physical Specification Version 2.00. In this mode pin 8, which is undefined for memory, is used as the interrupt pin. All other pins and signaling protocols are identical to the SD Physical Specification.

#### 2.2.2 1-bit SD Data Transfer Mode (Card Mandatory Support)

This mode is identical to the 1 data bit (narrow) mode defined for SD Memory in section 3.6.1 of the SD Physical Specification. In this mode, data is transferred on the DAT[0] pin only. In this mode pin 8, which is undefined for memory, is used as the interrupt pin. All other pins and signaling protocols are identical to the SD Memory specification.

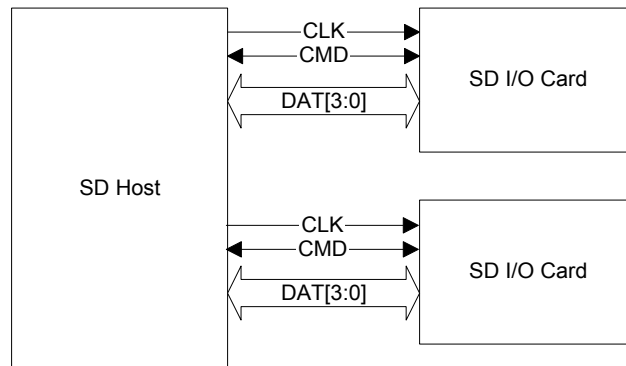
#### 2.2.3 4-bit SD Data Transfer Mode (Mandatory for High-Speed Cards, Optional for Low-Speed)

This mode is identical to the 4 data bit mode (wide) defined for SD Memory in section 3.6.1 of the SD Physical Specification. In this mode, data is transferred on all 4 data pins (DAT[3:0]). In this mode the interrupt pin is not available for exclusive use as it is utilized as a data transfer line. Thus, if the interrupt function is required, a special timing is required to provide interrupts. See section 8.1.2 for details of this operation. The 4-bit SD mode provides the highest data transfer possible, up to 100 Mb/sec.

### 2.3 SDIO Host Modes

If a SDIO aware host supports the SD transfer mode, it is recommended that both the 1-bit and 4-bit modes be supported. While a SDIO host that supports *only* the 4-bit transfer mode is possible, its performance with a Low-Speed SDIO card may be reduced. This is because the only means to transfer data to and from a Low-Speed card would be the single byte per command transfer (using the IO\_RW\_DIRECT command (CMD52) see 5.1).

## 2.4 Signal Pins



**Figure 2-1 Signal connection to two 4-bit SDIO cards**

The rest of this chapter is not included in the Simplified Specification.

## 3. SDIO Card Initialization

### 3.1 Differences in I/O card Initialization

A requirement for the SDIO specification is that an SDIO card shall not cause non-I/O aware hosts to fail when inserted. In order to prevent operation of I/O functions in non-I/O aware hosts, a change to the SD card identification mode flowchart is needed. A new command (IO\_SEND\_OP\_COND, CMD5) is added to replace the ACMD41 for SDIO initialization by I/O aware hosts (see 3.2).

After reset or power-up, all I/O functions on the card are disabled and the I/O portion of the card shall not execute any operation except CMD5 or CMD0 with CS=low. If there is SD memory installed on the card (also called a combo card), that memory shall respond normally to all normal mandatory memory commands.

An I/O only card shall not respond to the ACMD41 and thus appear initially as an MMC card (See appendix B.1 for information on the MMC specification). The I/O only card shall also not respond to the CMD1 used to initialize the MMC cards and appear as a non-responsive card. The host then gives up and disables this card. Thus, the non-aware host receives no response from an I/O only card and force it to the inactive state. The operation of an I/O card with a non-I/O aware host is shown in Figure 3-1 Note that the solid lines are the actual paths taken while the dashed lines are not executed.

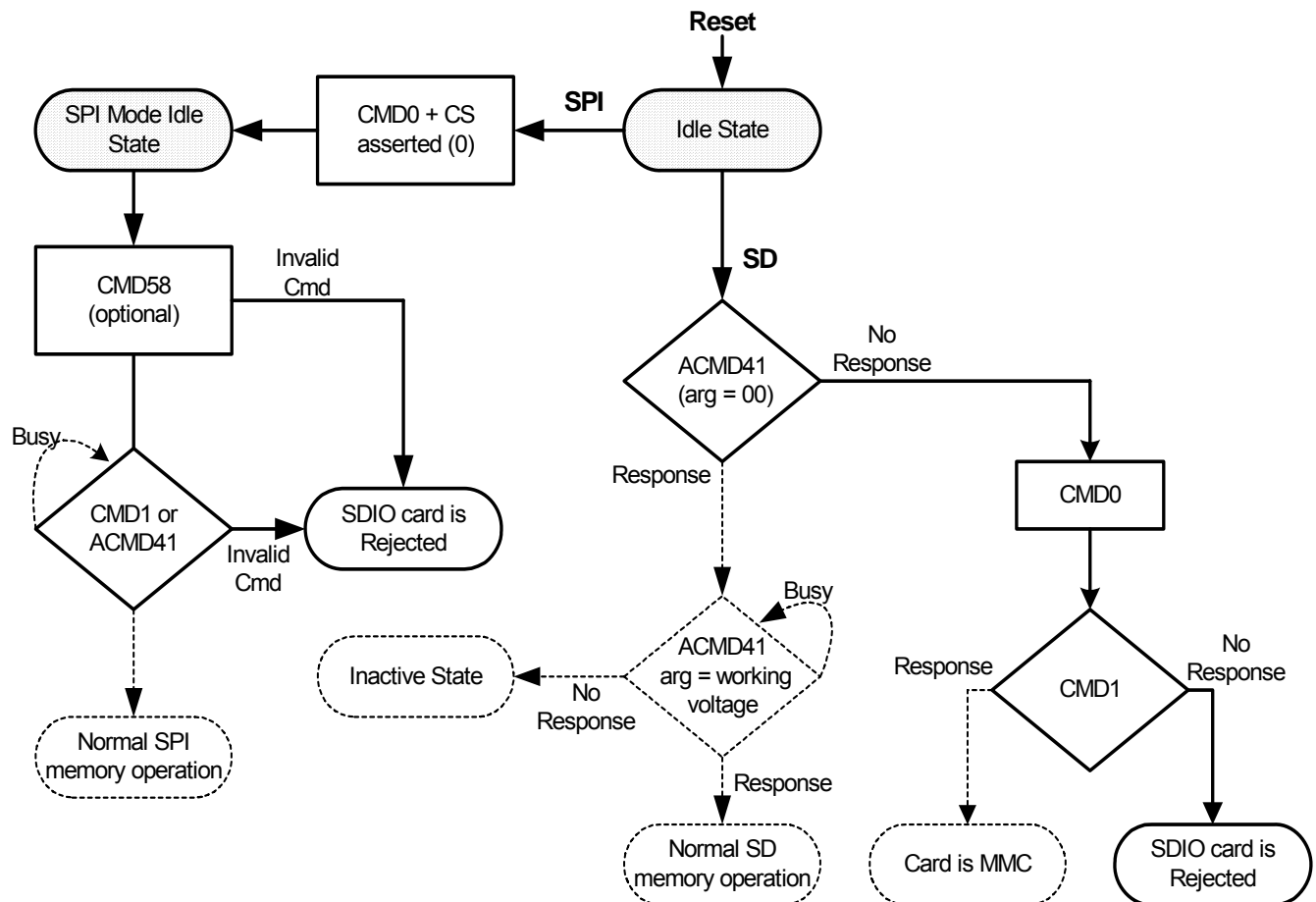


Figure 3-1 SDIO response to non-I/O aware initialization

**SDIO Simplified Specification Version 2.00**

---

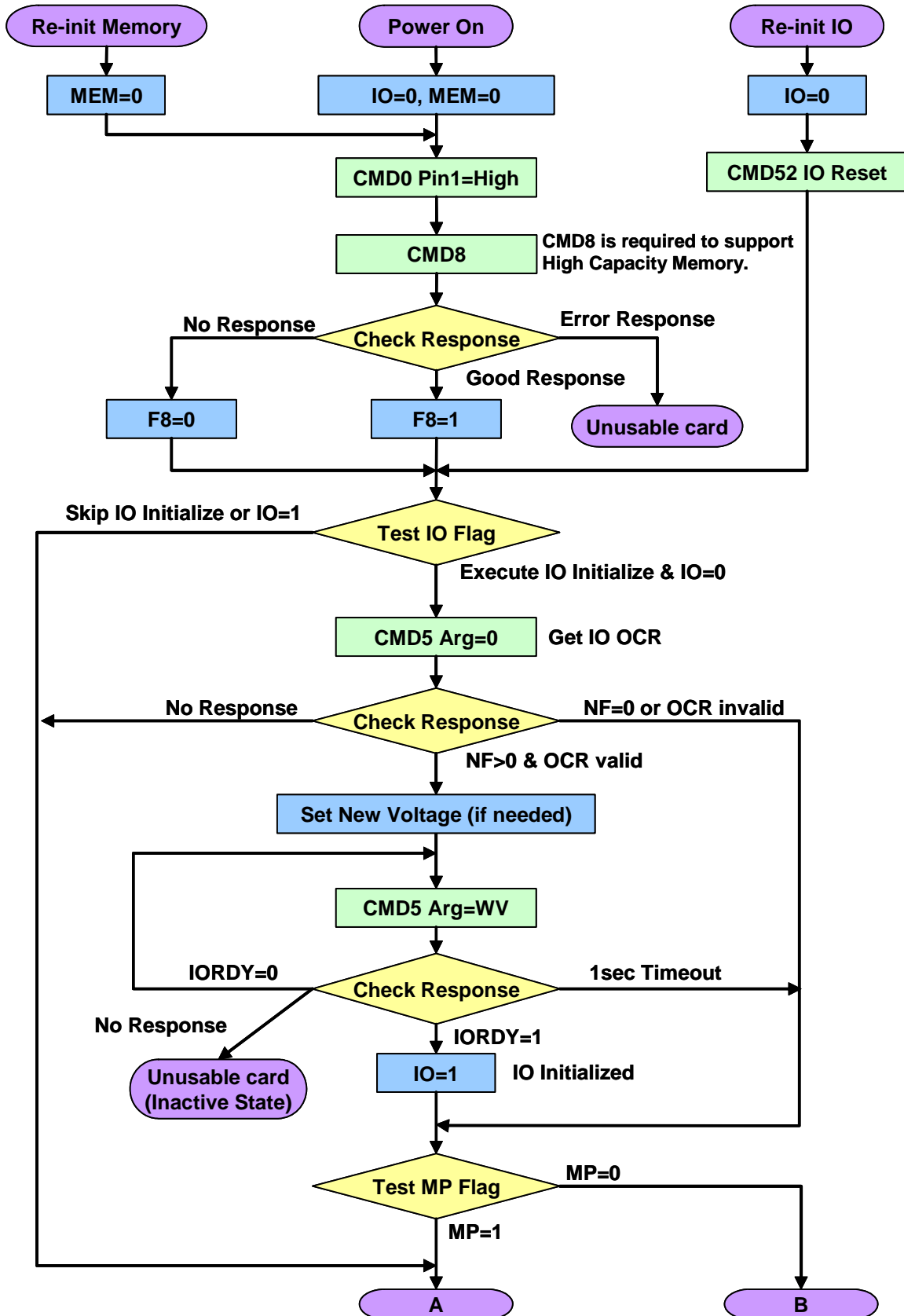
An SDIO aware host sends CMD5 prior to the CMD55/ACMD41 pair, and thus would receive a valid OCR in the R4 response to CMD5 and continue to initialize the card. Figure 3-2 shows the operation of an SDIO aware host operating in the SD modes and Figure 3-3 shows the same operation for a host that operates in the SPI mode.

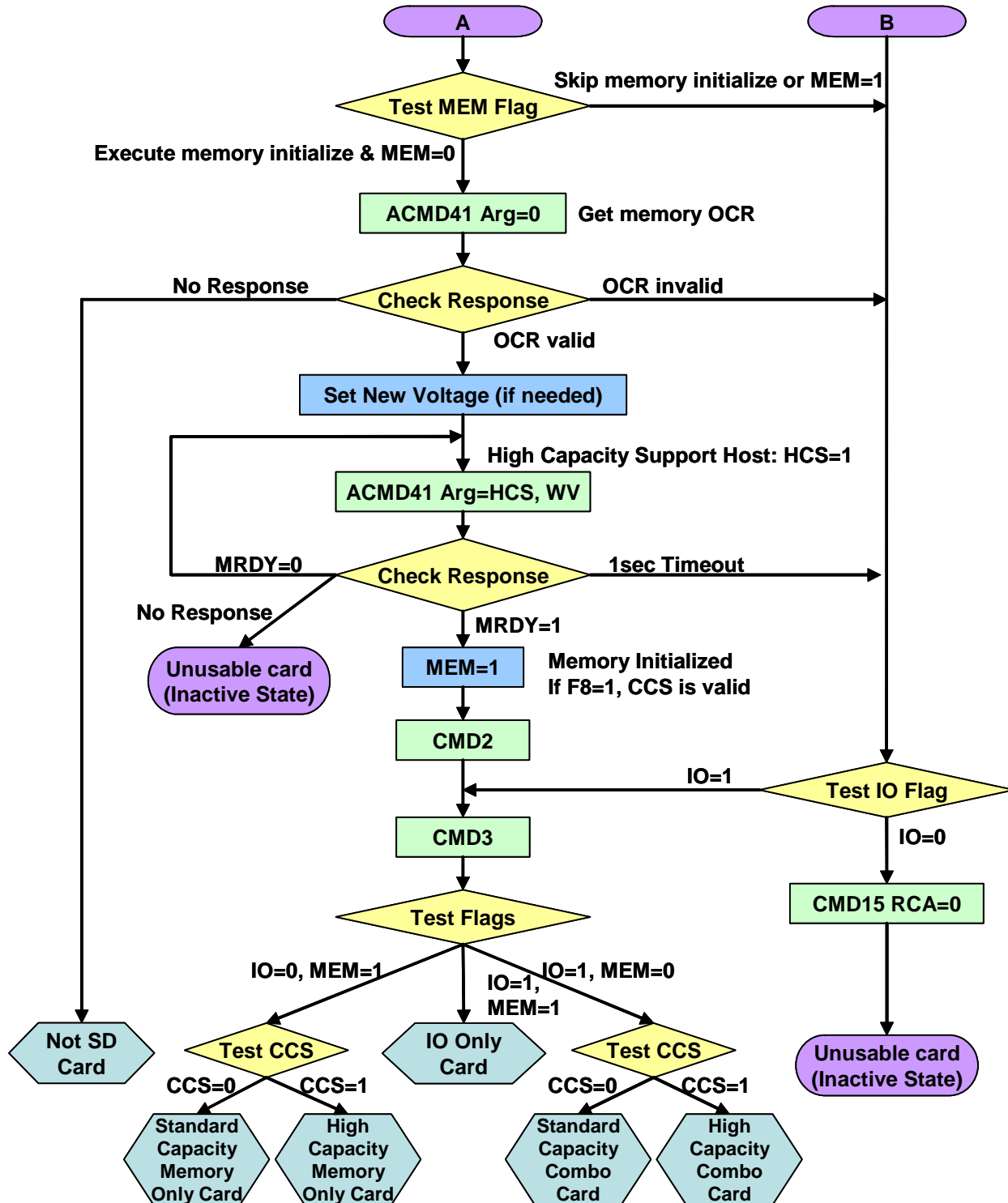
If the I/O portion of a card has received no CMD5, the I/O section remains inactive and shall not respond to any command except CMD5. A combo card stays in the memory-only mode. If no memory is installed on the card (i.e. an I/O only card in a non-SDIO aware host) the card would not respond to any memory command. This satisfies the condition where a user uses some I/O function on the card such as Ethernet to load a music file to the memory function of that card. The card is then removed and inserted into a non-SDIO aware host. That host would not enable the I/O function (no CMD5) so would appear to the player as a memory-only card. If the host were I/O aware, it would send the CMD5 to the card and the card would respond with R4. The host reads that R4 value and knows the number of available I/O functions and about the existence of any SD memory.

After the host has initialized the I/O portion of the card, it then reads the Common Information Area (CIA) of the card (see 6.8). This is done by issuing a read command, starting with the byte at address 0x00, of I/O function 0. The CIA contains the Card Common Control Registers (CCCR) and the Function Basic Registers (FBR). Also included in the CIA are pointers to the card's common Card Information Structure (CIS) and each individual function's CIS. The CIS structure is defined in section 16. The CIS includes information on power, function, manufacturer and other things the host needs to determine if the I/O function(s) is appropriate to power-up. If the host determines that the card should be activated, a register in the CCCR area enables the card and each individual function. At this time, all functions of the I/O card are fully available. In addition, the host can control the power consumption and enable/disable interrupts on a function-by-function basis. This access to I/O does not interfere with memory access to the card if present.

Combo Cards can accept CMD15 with RCA=0000, as described in, but there is an exception for SD memory only cards. Memory only cards require a non-zero RCA before the host may issue CMD15. Thus, CMD15 shall be issued after CMD3 in the Standby state. In the case of ACMD41, it shall accept RCA=0x0000.

As shown in Figure 3-2 and Figure 3-3, an SDIO aware host shall send CMD5 arg=0 as part of the initialization sequence after either Power On or a CMD 52 with write to I/O Reset. Sending CMD5 arg=0 that has not been preceded by one of these two reset conditions shall not result in either the host or card entering the initialization sequence.





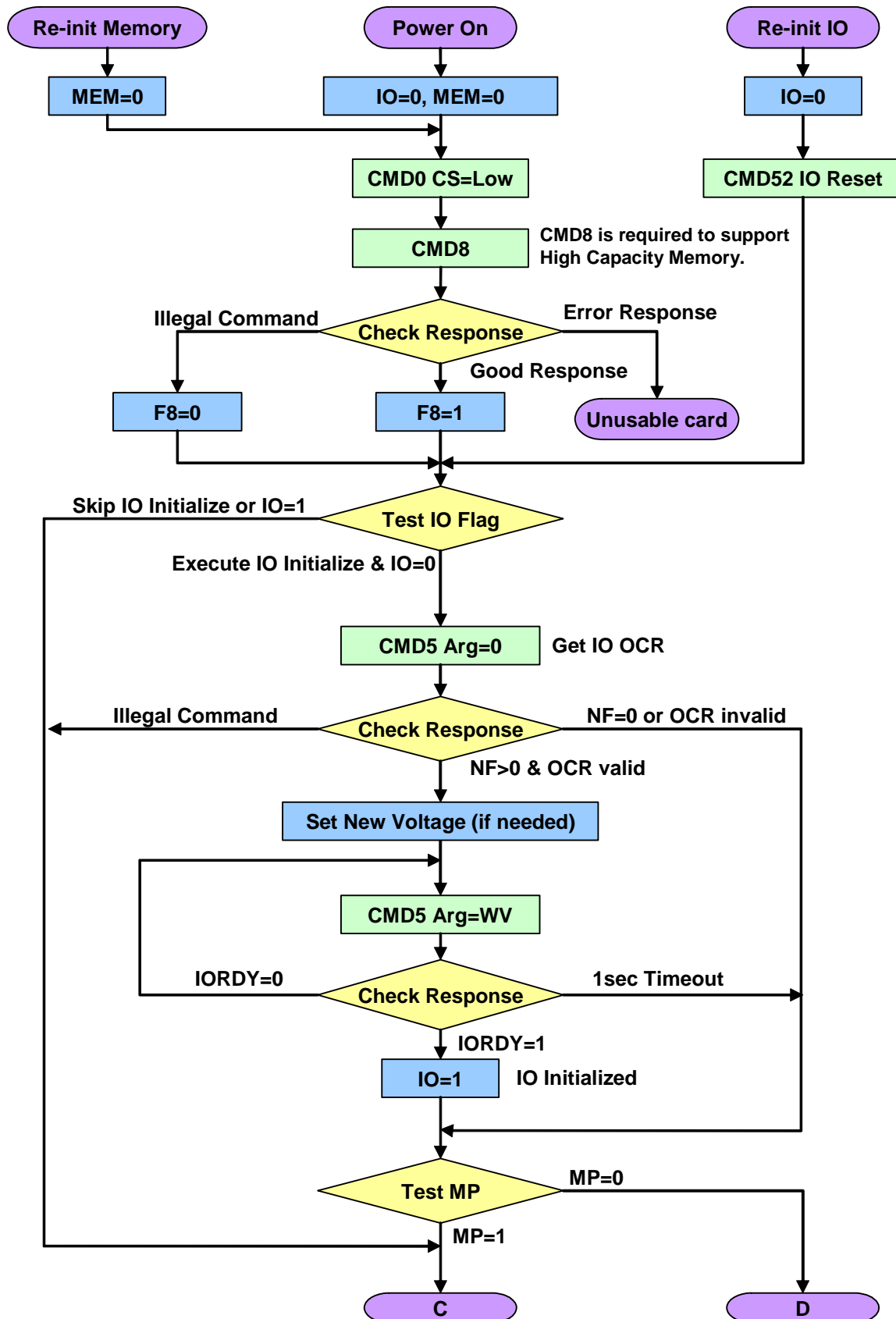
Variables

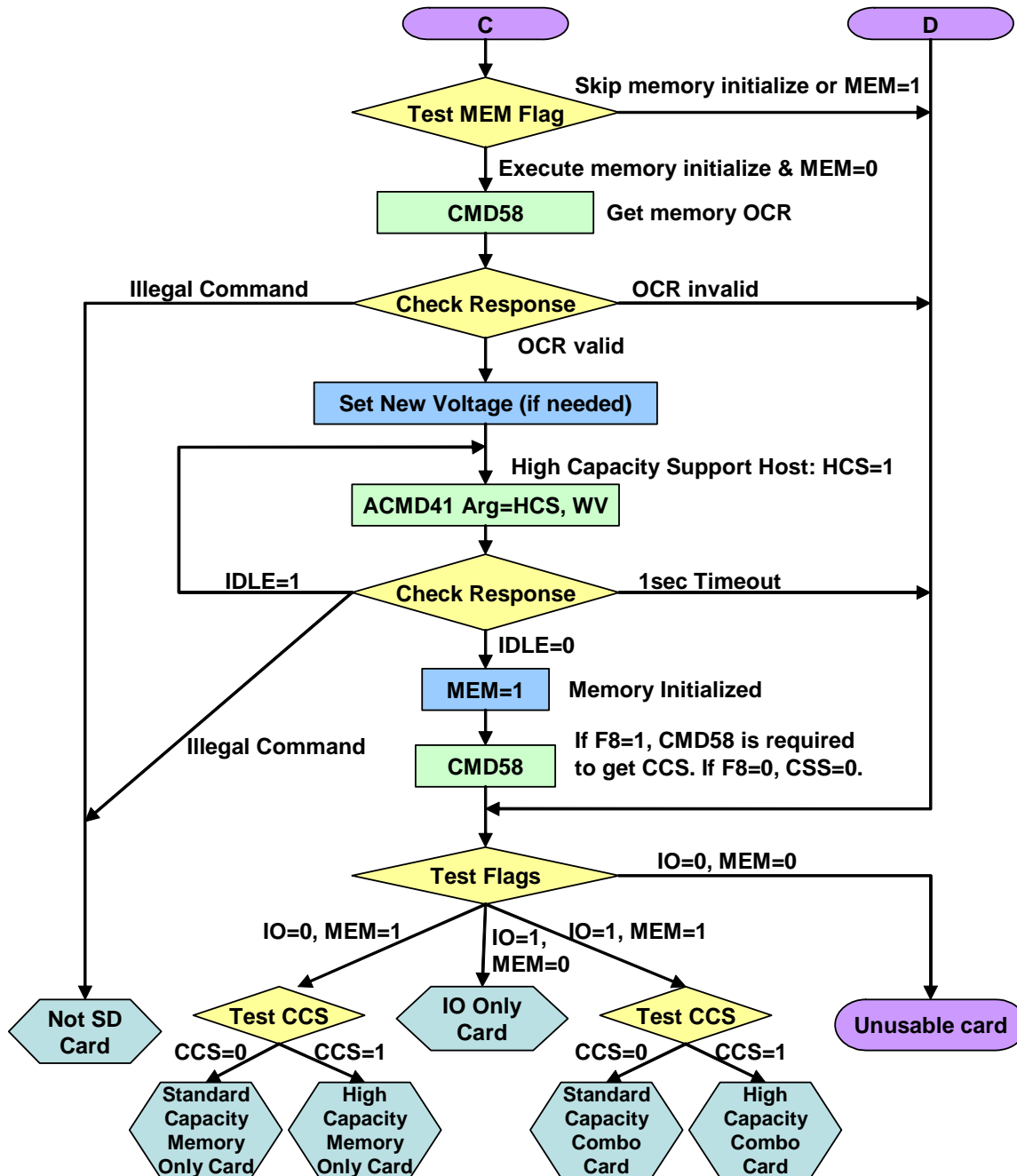
- |        |  |       |  |
|--------|--|-------|--|
| NF:    | Number of I/O Functions (CMD5 Response)          | CCS:  | Card Capacity Status (ACMD41 Response) |
| MP:    | Memory Present Flag (CMD5 Response)              | Flags |  |
| IORDY: | I/O Power-up Status (C bit in the CMD5 response) | IO:   | I/O Functions Initialized Flag         |
| MRDY:  | Memory Power-up Status (OCR Bit31)               | MEM:  | Memory Initialized Flag                |
| HCS:   | Host Capacity Support (ACMD41 Argument)          | F8:   | CMD8 Flag                              |

Figure 3-2 Card initialization flow in SD mode (SDIO aware host)



SDIO Simplified Specification Version 2.00





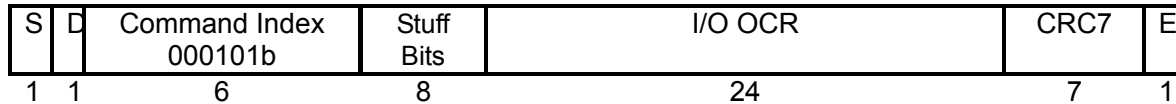
Variables

- |        |  |       |  |
|--------|--|-------|--|
| NF:    | Number of I/O Functions (CMD5 Response)          | CCS:  | Card Capacity Status (ACMD41 Response) |
| MP:    | Memory Present Flag (CMD5 Response)              | Flags |  |
| IORDY: | I/O Power-up Status (C bit in the CMD5 response) | IO:   | I/O Functions Initialized Flag         |
| MRDY:  | Memory Power-up Status (OCR Bit31)               | MEM:  | Memory Initialized Flag                |
| HCS:   | Host Capacity Support (ACMD41 Argument)          | F8:   | CMD8 Flag                              |

**Figure 3-3 Card initialization flow in SPI mode (SDIO aware host)**

## 3.2 The IO\_SEND\_OP\_COND Command (CMD5)

Figure 3-4 shows the format of the IO\_SEND\_OP\_COND command (CMD5). The function of CMD5 for SDIO cards is similar to the operation of ACMD41 for SD memory cards. It is used to inquire about the voltage range needed by the I/O card. The normal response to CMD5 is R4 in either SD or SPI format. The R4 response in SD mode is shown in Figure 3-5 and the SPI version is shown in Figure 3-6.



**Figure 3-4 IO\_SEND\_OP\_COND Command (CMD5)**

The IO\_SEND\_OP\_COND Command contains the following fields:

S(tart bit):	Start bit. Always 0
D(irection):	Direction. Always 1 indicates transfer from host to card.
Command Index:	Identifies the CMD5 command with a value of 000101b
Stuff Bits:	Not used, shall be set to 0.
I/O OCR:	Operation Conditions Register. The supported minimum and maximum values for VDD. The layout of the OCR is shown in Table 3-1. See section 4.10.1 for additional information.
CRC7:	7 bits of CRC data
E(nd bit):	End bit, always 1

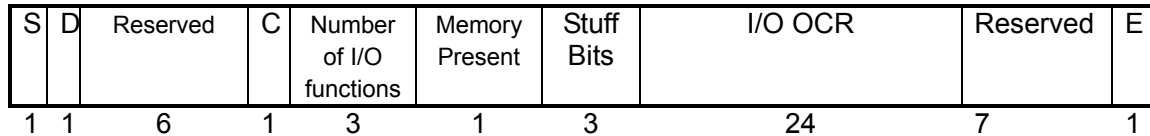
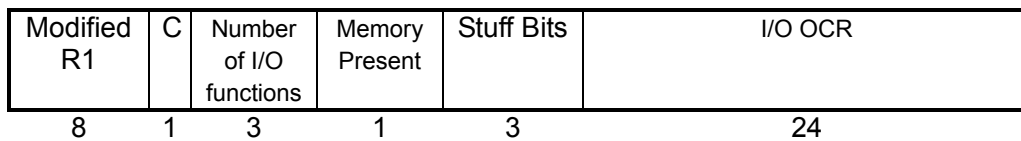
I/O OCR bit position	VDD Voltage Window (in Volts)
0-3	Reserved
4	Reserved
5	Reserved
6	Reserved
7	Reserved
8	2.0-2.1
9	2.1-2.2
10	2.2-2.3
11	2.3-2.4
12	2.4-2.5
13	2.5-2.6
14	2.6-2.7
15	2.7-2.8
16	2.8-2.9
17	2.9-3.0
18	3.0-3.1
19	3.1-3.2
20	3.2-3.3
21	3.3-3.4
22	3.4-3.5
23	3.5-3.6

**Table 3-1 OCR Values for CMD5**

The SDIO Version 2.00 cards shall support the operational voltage range 2.7-3.6V and are not necessary to support the voltage range 2.0-2.7V for basic communication. The hosts, which support SDIO Version 2.00, shall not use voltage range 2.0-2.7V for basic communication.

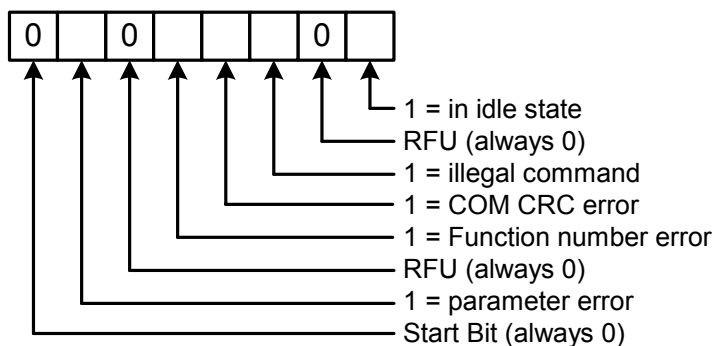
**SDIO Simplified Specification Version 2.00****3.3 The IO\_SEND\_OP\_COND Response (R4)**

An SDIO card receiving CMD5 shall respond with a SDIO unique response, R4. The format of R4 for both the SD and SPI modes is:

**Figure 3-5 Response R4 in SD mode****Figure 3-6 Response R4 in SPI mode**

The Response, R4 contains the following data:

- S(tart bit): Start bit. Always 0
- D(irection): Direction. Always 0. Indicates transfer from card to host.
- Reserved: Bits reserved for future use. These bits shall be set to 1.
- C: Set to 1 if Card is ready to operate after initialization
- I/O OCR: Operation Conditions Register. The supported minimum and maximum values for VDD. The layout of the OCR is shown in Table 3-1. See section 4.10.1 for additional information.
- Memory Present: Set to 1 if the card also contains SD memory. Set to 0 if the card is I/O only.
- Number of I/O Functions: Indicates the total number of I/O functions supported by this card. The range is 0-7. Note that the common area present on all I/O cards at Function 0 is not included in this count. The I/O functions shall be implemented sequentially beginning at function 1.
- Modified R1: The SPI R1 response byte as described in the SD Physical Specification modified for I/O as follows:

**Figure 3-7 Modified R1 Response**

- Stuff Bits: Not used, shall be set to 0.

**SDIO Simplified Specification Version 2.00**

---

Once an SDIO card has received a CMD5, the I/O portion of that card is enabled to respond normally to all further commands. This I/O enable of the functions within the I/O card shall remain set until a reset, power cycle or CMD52 with write to I/O reset is received by the card. Note that a SD memory only card *may* respond to a CMD5. The proper response for a memory only card would be *Memory Present* = 1 and *Number of I/O Functions* = 0. A memory only card built to SD Memory Card specification version 1.01 would detect the CMD5 as an illegal command and not respond. Note that unlike the similar memory command ACMD41, The SPI response to CMD5 does contain the OCR value from the card.

The I/O aware host sends CMD5. If the card responds with response R4 within the timeout value of Ncr as defined in the SD Physical Specification, the host determines the card's configuration based on the data contained within the R4.

### 3.4 Special Initialization considerations for Combo Cards

The host must be aware of some special situations when initializing a Combo card (SDIO plus SD Memory on the same card). This is caused because an implementation of the Combo card could actually use 2 separate controllers (Memory and I/O) in the same package and sharing the same bus lines. It important for the host to both detect and properly configure both parts (controllers) of a Combo card in order to prevent conflicts between the SDIO and the SD memory controller. These concerns are caused due to the different response to a reset (hard or soft) by the two controllers. Another concern is the value of the RCA (Relative Card Address) that exists within the Memory controller.

Note that this consideration is for the SD 1-bit and SD 4-bit modes only. In The SPI mode, card select/de-select is accomplished using the hardware CS line rather than the RCA.

#### 3.4.1 Re-initialize both I/O and Memory

When the host re-initializes both I/O and Memory controllers, it is *strongly* recommended that the host either execute a power reset (power off then on) or issues a reset commands to *both* controllers prior to *any* other operation. If the host chooses to use the reset commands, it shall issue CMD52 (I/O Reset) first, because it cannot issue CMD52 after CMD0 (see 4.4). After the reset, the host shall re-initialize both the I/O and Memory controller as defined in Figure 3-2.

#### 3.4.2 Using a Combo Card as SDIO only or SD Memory only after Combo Initialization

If a host intends to use only the SDIO or the Memory portion of a Combo Card, it is *strongly* recommended that the host power reset (power off then on) or issues reset commands to *both* controllers prior to *any* other operation. If the host chooses to use the reset commands, it shall issue CMD52 (I/O Reset) first, because it cannot issue CMD52 after CMD0 (see 4.4). After the resets, the host re-initializes either the I/O and Memory controller as defined in Figure 3-2.

#### 3.4.3 Acceptable Commands after Initialization

When the host re-initializes a Combo card, the acceptable commands that the host can issue are restricted until the I/O controller is placed into the command state and memory controller enters the transfer state. The kinds of prohibited commands are identified in the next section. Combo cards may not work correctly when the host issues these prohibited commands. The proper command sequence for the I/O controller and the memory controller are shown below. Note that CMD15 (GO\_INACTIVE\_STATE) can be sent at any time after initialization in order to send any addressed memory controller to the inactive state.

#### 3.4.4 Recommendations for RCA after Reset

Important Note: The RCA specification was not fully defined in SDIO Specification Ver1.0. There are two types of card (SDIO or Combo) with different responses to CMD0 or SDIO reset. The possible responses are:

**SDIO Simplified Specification Version 2.00**

The card clears RCA to 0x0000  
The card keeps current RCA value

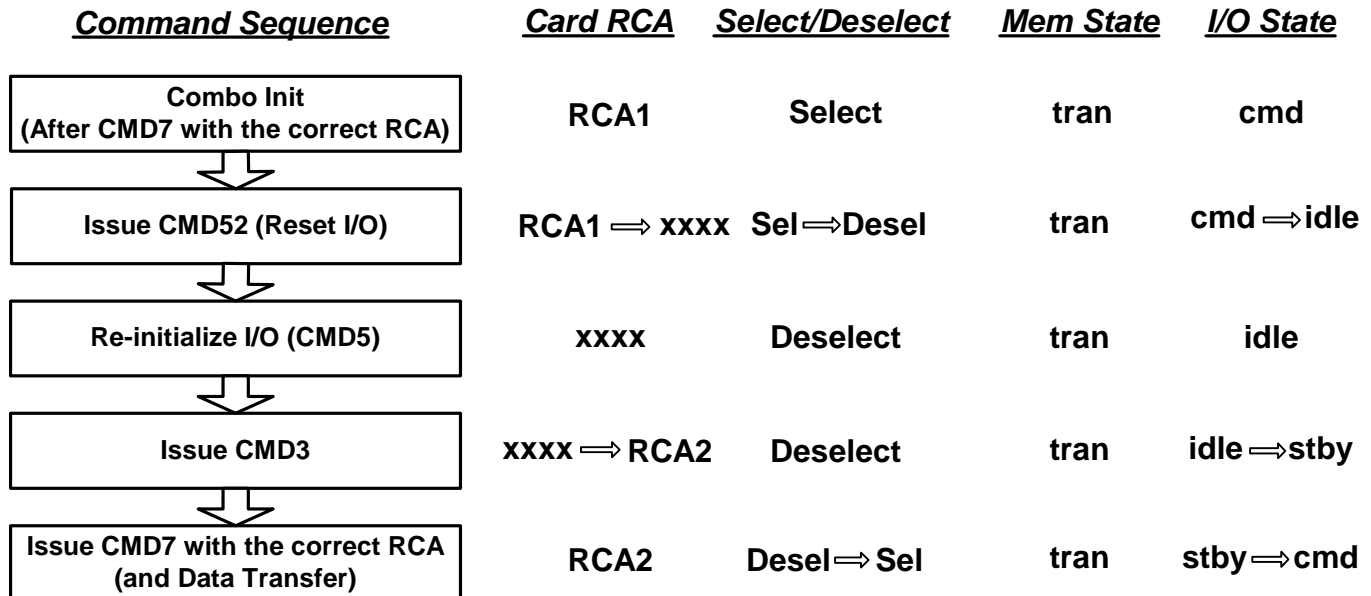


Figure 3-8 Re-Initialization Flow for I/O Controller

Figure 3-8 shows the re-initialization flow for the I/O controller of a Combo card. The flow of commands on the left side is matched with the RCA and controller states on the right side. The RCA value of xxxx denotes an RCA value of either 0x0000 or the prior RCA value. For new controller designs, a reset RCA value of 0x0000 is recommended. The host shall not issue any commands to the Combo Card except for CMD0, CMD5, CMD3 or CMD7 until the I/O controller has transitioned to the cmd state.

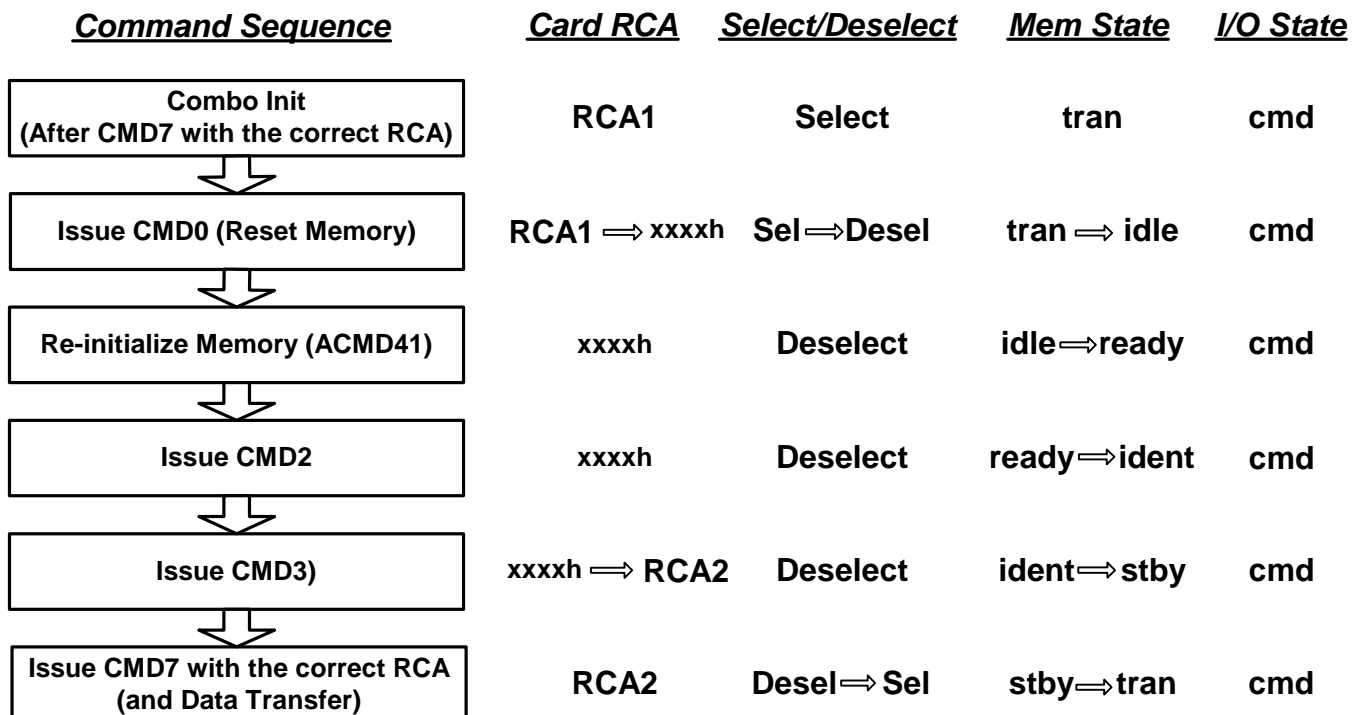


Figure 3-9 Re-Initialization Flow for Memory controller

Figure 3-9 shows the equivalent command flow to re-initialize the memory controller of a Combo card. The RCA value of xxxh denotes an RCA value of either 0x0000 or the prior RCA value. For new controller designs, a reset value of 0x0000 is recommended. The important fact for the host designer to note is that the host shall not issue any commands except for CMD0, ACMD41 (with RCA=0x0000), CMD2, CMD3 or CMD7 to the Combo Card until the memory controller has transitioned to the tran state.

### **3.4.5 Enabling CRC in SPI Combo Card**

When receiving CMD59, Combo cards shall synchronize CRC enable in both SDIO and memory portions of the card. If a host enables CRC using CMD59 and subsequently re-initializes either the I/O or memory controller, the CRC for that controller will be off by default and the host shall issue a CMD59 to re-enable CRC. When CMD59 is received, Combo Cards return the R1 response token while SDIO only cards return the modified R1 response token.

## 4. Differences with SD Memory Specification

### 4.1 SDIO Command List

Table A-14 shows the list of commands accepted by SD memory and SDIO cards when using the SD bus interface. Table A-15 shows the list of commands accepted by SD memory and SDIO cards when using the SPI bus interface.

### 4.2 Unsupported SD Memory Commands

Several commands required for SD Memory cards are not supported by either SDIO-only cards or the I/O portion of Combo cards. Some of these commands have no use in SDIO cards such as Erase commands and thus are not supported in SDIO. In addition, there are several commands for SD memory cards that have different commands when used with the SDIO section of a card. Table 4-1 lists these SD Memory commands and the equivalent SDIO commands. For a complete list of supported and unsupported commands, see Table A-14 and Table A-15.

SD Memory Command	SDIO Command	Comment
CMD0	CMD52 (write to I/O reset in CCCR)	The reset command (CMD0) is only used for memory or the memory portion of Combo cards. In order to reset an I/O only card or the I/O portion of a combo card, use CMD52 to write a 1 to the RES bit in the CCCR (bit 3 of register 6). Note that in the SD mode, CMD0 is only used to indicate entry into SPI mode and shall be supported. An I/O only card or the I/O portion of a combo card is <b>not</b> reset with CMD0
CMD12	CMD52 (write to I/O abort)	In order to abort the block transfer of data, SD memory use CMD12. In order to abort an I/O transaction, use CMD52 to write to the abort register in the CCCR (bits 2:0 of register 6) See 4.8 for details.
CMD16	CMD52 (write to I/O Block Length)	CMD16 sets the block length for SD memory. In order to set the block length for each I/O function, use CMD52 to write the block length in the FBR
CMD2	NONE	The CID register does not exist in an SDIO only card
CMD4	NONE	The DSR register does not exist in an SDIO only card
CMD9	NONE	The CSD register does not exist in an SDIO only card
CMD10	NONE	The CID register does not exist in an SDIO only card
CMD13	NONE	An SDIO only card or the I/O portion of a combo card does not support the same SEND_STATUS (CMD13) protocol the SD memory uses. See 4.10.8.
ACMD6	CMD52 (write to Bus_Width [1:0] in CCCR)	SET_BUS_WIDTH is handled by a write to the CCCR. See 4.4 for details.
ACMD13	NONE	The SD Status register does not exist in an SDIO only card
ACMD41	CMD5	SDIO cards and hosts use the IO_SEND_OP_COND Command (CMD5). See 3.2
ACMD42	CMD52	In the SD mode, the pull-up resistor on DAT[3] is controlled by writing to the CD Disable bit in the CCCR. For Combo Cards, this resistor is enabled unless both the memory and the I/O control registers are set to disable the resistor. For details, see section 4.6
ACMD51	NONE	The SCR register does not exist in an SDIO only card
CMD17,	CMD53	I/O block operations use CMD53, rather than memory block



SD Memory Command	SDIO Command	Comment
CMD18, CMD24, CMD25		read/write commands.

Table 4-1 Unsupported SD Memory Commands

### 4.3 Modified R6 Response

The normal response to CMD3 by a memory card is R6 as shown in Table 4-2. The *card status* bits (23-8) are changed when CMD3 is sent to an I/O only card. In this case, the 16 bits of response shall be the SDIO-only values shown in Table 4-3

Bit position	47	46	[45:40]	[39:8] Argument field	[7:1]	0	
Width (bits)	1	1	6	16	16	7	1
Value	'0'	'0'	X	X	X	X	'1'
Description	Start bit	Direction bit	Command index ('000011')	New published RCA [31:16] of the card	[15:0] <i>Card status</i> (see Table 4-3)	CRC7	end bit

Table 4-2 R6 response to CMD3

Bits	Identifier	Type	Value	Description	Clear Condition
15	COM_CRC_ERROR	E R	'0'= no error '1'= error	The CRC check of the previous command failed	B
14	ILLEGAL_COMMAND	E R	'0'= no error '1'= error	Command not legal for the card state	B
13	ERROR	E R X	'0'= no error '1'= error	A general or an unknown error occurred during the operation	C
12: 0	<b>Undefined. Should read as 0 for SDIO only cards. Host should ignore these bits.</b>				

Note: Please refer to sections 7.3.4 of the SD Physical Specification for explanation of the entries in the *Type* and *Clear Condition* columns.

Table 4-3 SDIO R6 Status Bits

### 4.4 Reset for SDIO

In order to reset all functions within an SDIO card or the SDIO portion of a combo card, a method different than that used for SD memory is defined. The reset command (CMD0) is only used for memory or the memory portion of Combo cards. In order to reset an I/O only card or the I/O portion of a combo card, use CMD52 to write a 1 to the RES bit in the CCCR (bit 3 of register 6). Note that in the SD mode, CMD0 is only used to indicate entry into SPI mode and shall be supported. An I/O only card or the I/O portion of a combo card is **not** reset by CMD0.

### 4.5 Bus Width

For a SD memory card, the bus width for SD mode is set using ACMD6. The SDIO card uses a write to the CCCR using CMD52 to select bus width. In the case of a combo card, both selection methods exist. In this case, the host shall set the bus width in both locations by issuing both the ACMD6 and the CCCR write using CMD52 with the same width before starting any data transfers. For details on changing the bus for an SDIO card, see Table 6-2. . For a Combo Card, changing bus width is handled as shown in Table 4-4.

I/O	Memory	Control Method
Initialized	Not Initialized	CCCR
Not Initialized	Initialized	ACMD6
Initialized	Initialized	CCCR & ACMD6

**Table 4-4 Combo Card 4-bit Control**

As shown in Table 4-4, if only the I/O function of a combo card is active, only writing to the CCCR is required change the bus width mode. If only memory is active then ACMD6 is all that is needed to change bus widths. If both I/O and Memory are active then both CCCR and ACMD6 are needed to change the bus width. In the combo card, both the memory and I/O controllers shall be set to the same bus width

Note that Low-Speed SDIO cards support 4-bit transfer as an option. When communicating with a Low-Speed SDIO card, the host shall first determine if the card supports 4-bit transfer prior to attempting to select that mode.

If a Combo card supports the lock/unlock operation, it cannot change bus width of a locked card and returns an illegal command error to a bus width switch command. The host needs to unlock the card by CMD42 before changing bus width. This also implies that the host should not change bus width during initialization before managing a locked card.

## 4.6 Card Detect Resistor

SD memory and I/O cards use a pull-up resistor on DAT[3] to detect card insertion. The procedure to enable/disable this resistor is different between SD memory and SDIO. SD memory uses ACMD42 to control this resistor while SDIO uses writes to the CCCR using CMD52. In the case of a combo card, both control locations exist and shall be managed by the host. For a combo card, the resistor is enabled only when both the memory and the I/O control registers have the resistor enabled. That is, after a power on, the host shall disable the resistor using ACMD42 to the memory controller or a CCCR write to the SDIO controller since the resistor enable is a logical AND of the two enables. Table 4-5 shows the effect of each resistor enable on the card's resistor. After power-up, both locations default to resistor enabled. Note that after an I/O reset, the I/O resistor enable is not changed. Note that the SDIO Specification Version 1.00 required that both the SDIO and Memory resistor be disabled in order for the resistor to actually be disabled (logical OR of the 2 enables). Combo cards built to that specification require the host to disable both enables. It is recommended the host disable both enables of any combo card to avoid problems with the difference between 1.0 and current specification based cards.

I/O Resistor	Memory Resistor	Card Resistor
Enabled	Enabled	Resistor Connected
Enabled	Disabled	Resistor Disconnected
Disabled	Enabled	Resistor Disconnected
Disabled	Disabled	Resistor Disconnected

**Table 4-5 Card Detect Resistor States**

## 4.7 Timings

This section is not included in the Simplified Specification.

## 4.8 Data Transfer Block Sizes

SDIO cards may transfer data in either a multi-byte (1 to 512 bytes) or an optional block format, while the SD memory cards are fixed in the block transfer mode. The SD Physical Specification limits the block size for data transfer to powers of 2 (i.e. 512, 1024, 2048) unless using partial read and write. The SDIO Specification allows any block size from 1 byte to 2048 bytes in order to accommodate the various natural block sizes for I/O functions. Note that an SDIO card function may define a maximum block size or byte count in the CIS that is smaller than the maximum values described above.

## 4.9 Data Transfer Abort

A host communicating with a SD memory card uses CMD12 to abort the transfer of read or write data to/from the card. For an SDIO card, CMD12 abort is replaced by a write to the ASx bits in the CCCR. Normally, the abort is used to stop an infinite block transfer (block count=0). If an exact number of blocks are to be transferred, it is recommended that the host issue a block command with the correct block count, rather than using an infinite count and aborting the data at the correct time.

### 4.9.1 Read Abort

The host may issue an I/O abort by writing to the CCCR at any time during I/O extended read operation. The data transmission stops 2 clocks cycles after the end bit of the I/O abort command, even if the card has already begun transferring an unwanted data block while the host is issuing the abort.

The rest of this section is not included in the Simplified Specification.

### 4.9.2 Write Abort

The host may issue an I/O abort by writing to the CCCR at any time between data blocks during I/O extended write operation. In this case, the final block transfer (including the CRC response from the card) shall have been completed. This requires that the end bit of the I/O abort command should appear a maximum of two clocks before the end bit of the CRC response to the last data block. Note that the I/O abort command may be sent any time after the CRC response to the last data block. The host shall not abort in the middle of a write block. After the I/O abort is sent to the card, the card signals 'Busy' (by pulling DAT[0] line to '0') until it has finished processing the last transferred data block. During that Busy period, the host may release the bus by writing to the CCCR BR bit. There exist some special cases when the abort is issued near the end of the CRC response to a write multiple command.

The rest of this section is not included in the Simplified Specification.

## 4.10 Changes to SD Memory Fixed Registers

The SD Physical Specification Version 1.01 defines 7 fixed card registers. They are:

1. OCR Register (32 bits)
2. CID Register (128 bits)
3. CSD Register (128 bits)
4. RCA Register (16 bits)
5. DSR Register (16 bits, optional)
6. SCR Register (64 bits)
7. SD\_CARD\_STATUS (512 bits)

In addition, within an SD memory card there is a status register whose value is returned to the host in the form of several responses (i.e. the R1b response). An SDIO only card eliminates some registers and changes some of the bits in the remaining registers. The description of these register changes follows:

**SDIO Simplified Specification Version 2.00**

---

**4.10.1 OCR Register**

All SD cards (memory, I/O and combo) shall have at least one OCR register. If the card is a combo card, it *may* have two OCR's (one for memory and one for I/O). The memory portion of a combo card has an OCR accessed using ACMD41 and CMD58. The I/O portion of a card has an OCR with the same structure that is accessed via CMD5. If there are multiple OCR's the voltage range may not be identical. Some I/O functions may have a wider VDD range than that reflected in the I/O OCR register. The I/O OCR shall be the logical AND of the voltage ranges(s) of all I/O functions. Note that the I/O OCR format is different from the memory version in that it is only 24 bits long. For details, see Table 3-1. The per-function voltage for each I/O function can be read in the CIS for the card.

**4.10.2 CID Register**

There shall be a *maximum* of one CID register per SD card. If the card contains both memory and I/O, the CID register information is unchanged from the SD 1.01 version and reflects the information from the memory portion of the card. If the card is I/O only, the CID register and the associated access command (CMD10) are **not** supported. If the host attempts to access this register in an I/O only card, a card in SPI mode shall respond with an "Invalid Command" error response and a card in SD mode shall not respond.

**4.10.3 CSD Register**

There shall be a *maximum* of one CSD register per SD card. If the card contains both memory and I/O, the CSD register information is unchanged from the SD 1.01 version and reflects the information from the memory portion of the card. If the card is I/O only, the CSD register and the associated access command (CMD9) are **not** supported. If the host attempts to access this register in an I/O only card, a card in SPI mode shall respond with an "Invalid Command" error response and a card in SD mode shall not respond.

**4.10.4 RCA Register**

There shall only be one RCA register per SD card. The RCA value shall apply to the card as a whole. All functions and any memory share the same card address.

**4.10.5 DSR Register**

SDIO only cards do not support the DSR register. In the case of combo cards, support is optional as defined in the SD Physical Specification.

**4.10.6 SCR Register**

There shall be a *maximum* of one SCR register per SD card. If the card contains both memory and I/O, the SCR register information is unchanged from the SD 1.01 version and reflects the information from the memory portion of the card. If the card is I/O only, the SCR register and the associated access command (ACMD51) are **not** supported. If the host attempts to access this register in an I/O only card, a card in SPI mode shall respond with an "Invalid Command" error response and a card in SD mode shall not respond.

**4.10.7 SD Status**

There shall be a *maximum* of one SD Status register per SD card. If the card contains both memory and I/O, the SD Status register information is unchanged from the SD 1.01 version and reflects the information from the memory portion of the card. If the card is I/O only, the SD Status register and the associated access command (ACMD13) are **not** supported. If the host attempts to access this register in an I/O only card, a card in SPI mode shall respond with an "Invalid Command" error response and a card in SD mode shall not respond.

**4.10.8 Card Status Register**

The structure of the SDIO status register is shown in Table 4-7. For SDIO specific operations in the SD mode that return the card status register contents (i.e. the response to CMD7), some bits are not applicable to I/O operations and shall be returned as 0. These unused bits are identified as type N/A. For combo cards, the values returned shall reflect the memory status. The CURRENT\_STATE bits (12:9) shall reflect the memory Controller State. For an I/O only card, the unused bits are 0 and the Current\_State bits (12:9) shall be 0xF (15) to

**SDIO Simplified Specification Version 2.00**

identify it as an I/O only response.

I/O specific status is reported by I/O response and Memory specific status is reported by Memory response except for the following case: In the SD bus mode, the card shall not respond to an Illegal Command or a command with a CRC error. The indication of those two error cases shall be given by the card in the following command's response. This is true for an I/O only card as well as for combo cards, even in cases where the erroneous command and the command that follows are not targeting the same card module (Memory or I/O).

Bit	Identifier	Type	Value	Description	Clear Condition
31	OUT_OF_RANGE	E R	'0'= no error '1'= error	The command's argument was out of the allowed range for this card.	C
30	ADDRESS_ERROR	N/A	0	Not used with SDIO operation	C
29	BLOCK_LEN_ERROR	N/A	0	Not used with SDIO operation	C
28	ERASE_SEQ_ERROR	N/A	0	Not used with SDIO operation	C
27	ERASE_PARAM	N/A	0	Not used with SDIO operation	C
26	WP_VIOLATION	N/A	0	Not used with SDIO operation	C
25	CARD_IS_LOCKED	N/A	0	Not used with SDIO operation	C
24	LOCK_UNLOCK_FAILED	N/A	0	Not used with SDIO operation	C
23	COM_CRC_ERROR	E R	'0'= no error '1'= error	The CRC check of the previous command failed. (Note 1)	B
22	ILLEGAL_COMMAND	E R	'0'= no error '1'= error	Previous command not legal for the card state. (Note 2)	B
21	CARD_ECC_FAILED	N/A	0	Not used with SDIO operation	C
20	CC_ERROR	N/A	0	Not used with SDIO operation	C
19	ERROR	E R	'0'= no error '1'= error	A general or an unknown error occurred during the operation.	C
18	UNDERRUN	N/A	0	Not used with SDIO operation	C
17	OVERRUN	N/A	0	Not used with SDIO operation	C
16	CID/ CSD_OVERWRITE	N/A	0	Not used with SDIO operation	C
15	WP_ERASE_SKIP	N/A	0	Not used with SDIO operation	C
14	CARD_ECC_DISABLED	N/A	0	Not used with SDIO operation	C
13	ERASE_RESET	N/A	0	Not used with SDIO operation	C
12:9	CURRENT_STATE	S X	15=I/O only	For an I/O only card, the current state shall be fixed at a value of 0x0F. This indicates that it is an I/O only card and the normal memory states do not apply	B
8	READY_FOR_DATA	N/A	0	Not used with SDIO operation	C
7:6	<b>Reserved</b>				
5	APP_CMD	N/A	0	CMD55 not used in SDIO operation	C
4	<b>Reserved</b>				
3	AKE_SEQ_ERROR (SD Memory Card app. spec.)	N/A	0	Not used with SDIO operation	C
2	<b>Reserved for application specific commands</b>				
1, 0	<b>Reserved for manufacturer test mode</b>				

**Table 4-7 SDIO Status Register Structure**

Note 1: In the SPI mode, if the card detects a CRC error, it returns a com CRC error in the R1 response immediately following the command (see Figure 3-7). In this situation, the note that the CRC error is for the previous command does not apply.

Note 2: In the SPI mode, if the card detects an Illegal Command, it returns an Illegal Command error in the R1 response immediately following the command (see Figure 3-7). In this situation, the note that the Illegal Command error is for the previous command does not apply.

## 5. New I/O Read/Write Commands

Two additional data transfer instructions have been added to support I/O. IO\_RW\_DIRECT, a direct I/O command similar to the MMC 'Fast I/O' command, and IO\_RW\_EXTENDED, which allows fast access with byte or block addresses. Both commands are in class 9 (I/O Commands).

### 5.1 IO\_RW\_DIRECT Command (CMD52)

The IO\_RW\_DIRECT is the simplest means to access a single register within the total 128K of register space in any I/O function, including the common I/O area (CIA). This command reads or writes 1 byte using only 1 command/response pair. A common use is to initialize registers or monitor status values for I/O functions. This command is the fastest means to read or write single I/O registers, as it requires only a single command/response pair.

S	D	Command Index 110100b	R/W flag	Function Number	RAW flag	Stuff	Register Address	Stuff	Write Data or Stuff Bits	CRC7	E
1	1	6	1	3	1	1	17	1	8	7	1

Figure 5-1 IO\_RW\_DIRECT Command

The IO\_RW\_DIRECT Command contains the following fields:

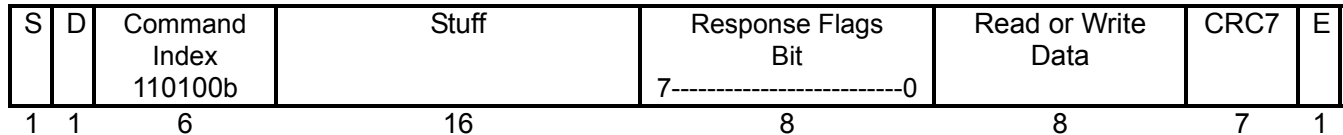
S(start bit):	Start bit. Always 0
D(irection):	Direction. Always 1 indicates transfer host to card.
Command Index:	Identifies the "IO_RW_DIRECT" command with a value of 110100b
R/W Flag:	This bit determines the direction of the I/O operation. If this bit is 0, this command shall read data from the SDIO card at the address specified by the Function Number and the Register Address to the host. The data byte is returned in the response, R5. If this bit is set to 1, the command shall write the bytes in the Write Data field to the I/O location addressed by the Function Number and the Register Address. If the RAW flag is 0, then the data in the register that was written shall be read and that value returned in the response.
RAW Flag:	The Read after Write flag. If this bit is set to 1 and the R/W flag is set to 1, then the command shall read the value of the register after the write. This is useful to allow writing to a control register and reading the status at the same address. If this bit is cleared, the value returned in the R5 response shall be the same as the write data in the command. If this bit is set, the data field of the R5 response shall contain the value read from the addressed register after the write operation.
Function Number:	The number of the function within the I/O card you wish to read or write. Note that function 0 selects the common I/O area (CIA).
Register Address:	This is the address of the byte of data inside of the selected function to read or write. There are 17 bits of address available so the register is located within the first 128K (131,072) addresses of that function.
Write Data/Stuff Bits:	For a direct write command (R/W=1), this is the byte that is written to the selected address. For a direct read (R/W=0), this field is not used and shall be set to 0.
CRC7:	7 bits of CRC data
E(nd bit):	End bit, always 1

**SDIO Simplified Specification Version 2.00****5.2 IO\_RW\_DIRECT Response (R5)**

The SDIO card's response to CMD52 shall be in one of two formats. If the communication between the card and host is in the 1-bit or 4-bit SD mode, the response shall be in a 48-bit response (R5) as described in 5.2.1. If the communication is using the SPI mode, the response shall be a 16-bit R5 response as described in 5.2.2.

**5.2.1 CMD52 Response (SD modes)**

The SDIO card's response to CMD52 in the SD mode is shown in Figure 5-2. If the operation was a read command, the data being read is returned as an 8-bit value. In addition, 15 bits of status information is returned. The format of the SD response is as follows:



**Figure 5-2 R5 IO\_RW\_DIRECT Response (SD modes)**

The IO\_RW\_DIRECT response (R5) contains the following fields:

S(tart bit):	Start bit. Always 0
D(irection):	Direction. 0 indicates transfer card to host (Response)
Command Index:	Identifies the "IO_RW_DIRECT" command with a value of 110100b
Stuff Bits	Not used, shall be set to 0
Response Flags	8 Bits of flag data indicating the status of the SDIO card. Table 5-1 shows the format of these flag bits.
Read or Write Data:	For an I/O write (R/W=1) with the RAW Flag set (RAW=1) this field shall contain the value read from the addressed register <u>after</u> the write of the data contained in the command. Note that in this case, the read-back data may not be the same as the data written to the register, depending on the design of the hardware. For an I/O write with the RAW bit=0, the SDIO function shall <u>not</u> do a read after write operation, and the data in this field shall be identical to the data byte in the write command. For an I/O read (R/W=0), the actual value read from that I/O location is returned in this field.
CRC7:	7 bits of CRC data
E(nd bit):	End bit, always 1

Bits	Identifier	Type	Value	Description	Clear Condition
7	COM_CRC_ERROR	E R	'0'= no error '1'= error	The CRC check of the previous command failed.	B
6	ILLEGAL_COMMAND	E R	'0'= no error '1'= error	Command not legal for the card State.	B

## SDIO Simplified Specification Version 2.00

Bits	Identifier	Type	Value	Description	Clear Condition
5-4	IO_CURRENT_STATE	S	00=DIS 01=CMD 02=TRN 03=RFU	<b>DIS=Disabled:</b> Initialize, Standby and Inactive States (card not selected) <b>CMD=DAT lines free:</b> <ol style="list-style-type: none"> <li>1. Command waiting (No transaction suspended)</li> <li>2. Command waiting (All CMD53 transactions suspended)</li> <li>3. Executing CMD52 in CMD State</li> </ol> <b>TRN=Transfer:</b> Command executing with data transfer using DAT[0] or DAT[3:0] lines	B
3	ERROR	E R E R X	'0'= no error '1'= error	A general or an unknown error occurred during the operation.  Type "E R" shall be used for CMD52 Type "E R X" shall be used for CMD53	C
2	RFU	--	Fixed at 0	Reserved for Future Use	C
1	FUNCTION_NUMBER	E R	'0'= no error '1'= error	An invalid function number was requested	C
0	OUT_OF_RANGE	E R	'0'= no error '1'= error	The command's argument was out of the allowed range for this card.	C

Table 5-1 Flag data for IO\_RW\_DIRECT SD Response

## 5.2.2 R5, IO\_RW\_DIRECT Response (SPI mode)

The SDIO card's response to CMD52 in the SPI mode is shown in Figure 5-3. If the operation was a read command, the data being read is returned as an 8-bit value. In addition, 8 bits of status information is returned in a SPI R1 response byte as described in Fig 47 of the SD Physical Specification modified for I/O as shown in Figure 5-3.

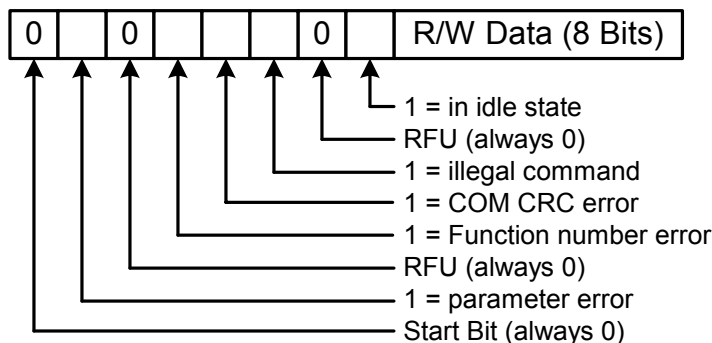


Figure 5-3 IO\_RW\_DIRECT Response in SPI Mode

Note the read/write (R/W) data is identical to the read/write data described for the SD R5 response (see 5.2.1). Parameter error status in SPI mode corresponds to OUT\_OF\_RANGE and ERROR in the SD mode response. In the case of CMD53, Data Error Token should also be used to indicate OUT\_OF\_RANGE and ERROR.



### 5.3 IO\_RW\_EXTENDED Command (CMD53)

In order to read and write multiple I/O registers with a single command, a new command, IO\_RW\_EXTENDED is defined. This command is included in command class 9 (I/O Commands). This command allows the reading or writing of a large number of I/O registers with a single command. Since this is a data transfer command, it provides the highest possible transfer rate.

S	D	Command Index 110101b	R/W flag	Function Number	Block Mode	OP Code	Register Address	Byte/Block Count	CRC 7	E
1	1	6	1	3	1	1	17	9	7	1

Figure 5-4 IO\_RW\_EXTENDED Command

The IO\_RW\_EXTENDED Command contains the following fields:

S(start bit):	Start bit. Always 0
D(irection):	Direction. Always 1 indicates transfer host to card.
Command Index:	Identifies the "IO_RW_EXTENDED" command with a value of 110101b
R/W Flag:	This bit determines the direction of the I/O operation. If this bit is 0, this command reads data from the SDIO card at the address specified by the Function Number and the Register Address to the host. The read data shall be returned on the DAT[x] lines. If this bit is set to 1, the command shall write the bytes from the DAT[x] lines to the I/O location addressed by the Function Number and the Register Address.
Function Number:	The number of the function within the I/O card you wish to read or write. Note that function 0x00 selects the common I/O area (CIA).
Block Mode	(Optional) this bit, if set to 1, indicates that the read or write operation shall be performed on a block basis, rather than the normal byte basis. If this bit is set, the Byte/Block count value shall contain the number of blocks to be read/written. The block size for functions 1-7 is set by writing the block size to the I/O block size register in the FBR (See Table 6-3 and Table 6-4). The block size for function 0 is set by writing to the FN0 Block Size register in the CCCR. Card and host support of the block I/O mode is optional. The host can determine if a card supports block I/O by reading the <i>Card supports MBIO</i> bit (SMB) in the CCCR (see Table 6-2). The block size used when Block Mode = 1 and the maximum byte count per command used when Block Mode = 0 can be read from the CIS in the tuple TPLFE_MAX_BLK_SIZE (see 16.7.4) on a per-function basis.
OP code	Defines the read/write operation as described in Table 5-2

OP code	Command operation
0	Multi byte R/W to fixed address
1	Multi byte R/W to incrementing address

Table 5-2 IO\_RW\_EXTENDED command Op Code Definition

- OP Code 0 is used to read or write multiple bytes of data to/from a single I/O register address. This command is useful when I/O data is transferred using a FIFO inside of the I/O card. In this case, multiple bytes of data are transferred to/from a single register address. For this operation, the address of the register is set into the Register Address field. Data is transferred on the DAT[0] or DAT[3:0] lines as defined for SD memory cards.
- OP Code 1 is used to read or write multiple bytes of data to/from an I/O register

**SDIO Simplified Specification Version 2.00**

address that increment by 1 after each operation. This command is used when large amounts of I/O data exist within the I/O card in a RAM like data buffer. In this operation, the start address is loaded into the Register Address field. The first operation occurs at that address within the I/O card. The next operation shall occur at address+1 with the address incrementing by 1 until the operation has completed. As with OP Code 0, the number of bytes is set in the Byte Count field of the command.

Register Address:  
Byte/Block Count

Start Address of I/O register to read or write. Range is [0x1FFFF:0]  
If the command is operating on bytes (Block Mode = 0), this field contains the number of bytes to read or write. A value of 0x000 shall cause 512 bytes to be read or written.

Count Value	0x000	0x001	0x002	----	0x1FF
Bytes Transferred	512	1	2		511
Block Transferred	∞	1	2		511

**Table 5-3 Byte Count Values**

If the command is in block mode (Block Mode=1), the Block Count field specifies the number of Data Blocks to be transferred following this command. A value of 0x000 indicates that the count set to infinite. In this case, the I/O blocks shall be transferred until the operation is aborted by writing to the I/O abort function select bits (ASx) in the CCCR (see Table 6-1 and Table 6-2). Table 5-3 shows the relationship between the value in the command and the actual number of bytes transferred.

CRC7:  
E(nd bit):

7 bits of CRC data  
End bit, always 1

The response from the SDIO card to CMD53 shall be R5 (the same as CMD52) as defined in 5.2. For CMD53, the 8-bit data field shall be stuff bits and shall be read as 0x00. Also, the ERROR response bit shall be type "E R X" (see Table 5-1).

### 5.3.1 CMD53 Data Transfer Format

When executing the IO\_RW\_EXTENDED (CMD53), the multi-byte or multi-block data transfer is similar to the data transfer for memory. For the multi-byte transfer modes (block mode=0) the following applies:

IO\_RW\_EXTENDED byte read is similar to CMD17 (READ\_SINGLE\_BLOCK)

IO\_RW\_EXTENDED byte write is similar to CMD24 (WRITE\_BLOCK)

Note that the byte count for this transfer is set in the command, rather than the fixed block size. Thus, the size of the data payload is in the range of 1-512 bytes. The block mode is similar to the following memory commands:

IO\_RW\_EXTENDED block read is similar to CMD18 (READ\_MULTIPLE\_BLOCK)

IO\_RW\_EXTENDED block write is similar to CMD25 (WRITE\_MULTIPLE\_BLOCK)

For the block mode the only difference is that for a fixed block count, the host does not need to stop the transfer, as it continues until the block count is satisfied. If the block count is set to zero, the operation is identical to the memory mode in that the host must stop the transfer.

### 5.3.2 Special Timing for CMD53 Multi-Block Read

This section is not included in the Simplified Specification.

## 6. SDIO Card Internal Operation

I/O access differs from memory in that the registers can be written and read individually and directly without a FAT file structure or the concept of blocks (although block access is supported). These registers allow access to the I/O data, control of the I/O function and report on status or transfer I/O data to/from the host. The SD memory relies on the concept of a fixed block length with commands reading/writing multiples of these fixed size blocks. I/O may or may not have fixed block lengths and the read size may be different from the write size. Because of this, I/O operations may be based on either a length (byte count) or a block size.

### 6.1 Overview

Each SDIO card may have from 1 to 7 functions plus one memory function built into it. A function is a self contained I/O device. I/O functions may be identical or completely different from each other. All I/O functions are organized as a collection of registers. There is a maximum of 131,072 ( $2^{17}$ ) registers possible for each I/O function. These registers and their individual bits may be read Only (RO), Write Only (WO) or Read/Write (R/W). These registers can be 8, 16 or 32 bits wide within the card. All addressing is based on byte access. These registers can be written and/or read one at a time, multiply to the same address or multiply to an incrementing address. The single R/W access is often used to initialize the I/O function or to read a single status or data value. The multiple reads to a fixed address are used to read or write data from a data FIFO register in the card. The read to incrementing addresses is used to read or write a collection of data to/from a RAM area inside of the card. Figure 6-1 shows the mapping of the CIA and optional CSA space for an SDIO card.

### 6.2 Register Access Time

All registers in SDIO only cards and the SDIO portion of Combo cards shall complete read and write data transfer in less than 1 second. This timeout value relates to the time for the requested data to be transferred to/from the host on the DAT[x] lines and not the timing between the command and the response. This wait time is signaled to the host by the card using busy for a write or delaying the start bit for a read operation. The host can use 1 second as the timeout value for a non-responding location. If a functions needs to support an access time greater than 1 second, the card maker may use some function specific method that is not defined in this specification.

### 6.3 Interrupts

All SDIO hosts should support hardware interrupts. If a host does not support interrupts, it may have difficulties working with SDIO cards that expect fast response to interrupt conditions. Each function within an SDIO or Combo card may implement interrupts as needed. The interrupt used on SDIO functions is a type commonly called "level sensitive". Level sensitive means that any function may signal for an interrupt at any time, but once the function has signaled an interrupt, it shall not release (stop signaling) the interrupt until the cause of the interrupt is removed or commanded to do so by the host. Since there is only 1 interrupt line, it may be shared by multiple interrupt sources. The function shall continue to signal the interrupt until the host responds and clears the interrupt. Since multiple interrupts may be active at once, it is the responsibility of the host to determine the interrupt source(s) and deal with it as needed. This is done on the SDIO function by the use of two bits, the interrupt enable and interrupt pending. Each function that may generate an interrupt has an interrupt enable bit. In addition, the SDIO card has a master interrupt enable that controls all functions. An interrupt shall only be signaled to the SD bus if both the function's enable and the card's master enable are set. The second interrupt bit is called interrupt pending. This read-only bit tells the host which function(s) may be signaling for an interrupt. There is an interrupt pending bit for each function that can generate interrupts. These bits are located in the CCCR area. For more details, see Table 6-1 and Table 6-2. Interrupt operation is described more fully in section 8.

## 6.4 Suspend/Resume

Within a multi-function SDIO or a Combo card, there are multiple devices (I/O and memory) that share access to the SD bus. In order to allow the sharing of access to the host among multiple devices, SDIO and combo cards can implement the *optional* concept of suspend/resume. If a card supports suspend/resume, the host may temporarily halt a data transfer operation to one function or memory (suspend) in order to free the bus for a higher priority transfer to a different function or memory. Once this higher-priority transfer is complete, the original transfer is re-started where it left off (resume). Support of suspend/resume is optional on a per-card basis. If suspend/resume is implemented, it shall be supported by the memory (if any) of a Combo card and all I/O functions *except* 0 (the CIA). Note that the host can suspend multiple transactions and resume them in any order desired. I/O function 0 does **not** support suspend/resume. Suspend/Resume is described in more detail in section 9. Any card that supports Suspend/Resume shall also support Read Wait and Direct Commands (SRW and SDC = 1) Note that Suspend/Resume is defined only for the SD 1 and 4-bit modes. It does not apply to SPI transfers.

## 6.5 Read Wait

Host devices built to the SD Physical Specification shall control the SDCLK to stop the read data block output from a card executing a multiple read command whenever the host cannot accept more data. During the time that the host has stopped the SDCLK, a CMD52 cannot be issued. This limitation causes a problem in that a host device built to the SD Physical Specification cannot perform the I/O command during a multiple read cycle.

In order to eliminate this limitation, the SDIO Specification adds the Read Wait control to enable the host to issue CMD52 during a multiple read cycle. Read Wait uses the DAT[2] line to allow the host to signal the card to temporarily halt the sending of read data by a card. This feature is optional for an SDIO or combo card. However, if an SDIO or combo supports Read Wait, all functions and any memory shall support Read Wait. Read Wait is described in more detail in section 10. Any card that supports Suspend/Resume shall also support Read Wait. Note that Read Wait is defined only for the SD 1 and 4-bit modes. It does not apply to SPI transfers.

## 6.6 CMD52 During Data Transfer

A card may accept CMD52 during data transfer if it supports Direct Commands (see SDC, Table 6-3). For both SD and SPI modes, if an error occurs during data transfer the SDIO card shall accept CMD52 to allow I/O abort and reset regardless of this bit value of the value of SDC.

## 6.7 SDIO Fixed Internal Map

The SDIO card has a fixed internal register space and a function unique area. The fixed area contains information about the card and certain mandatory and optional registers in fixed locations. The fixed locations allow any host to obtain information about the card and perform simple operations such as enable in a common manner. The function unique area is a per-function area, which is defined either by the Application Specifications for Standard SDIO functions or by the vendor for non-standard functions. Figure 6-1 shows the internal map of an SDIO card with multiple functions.

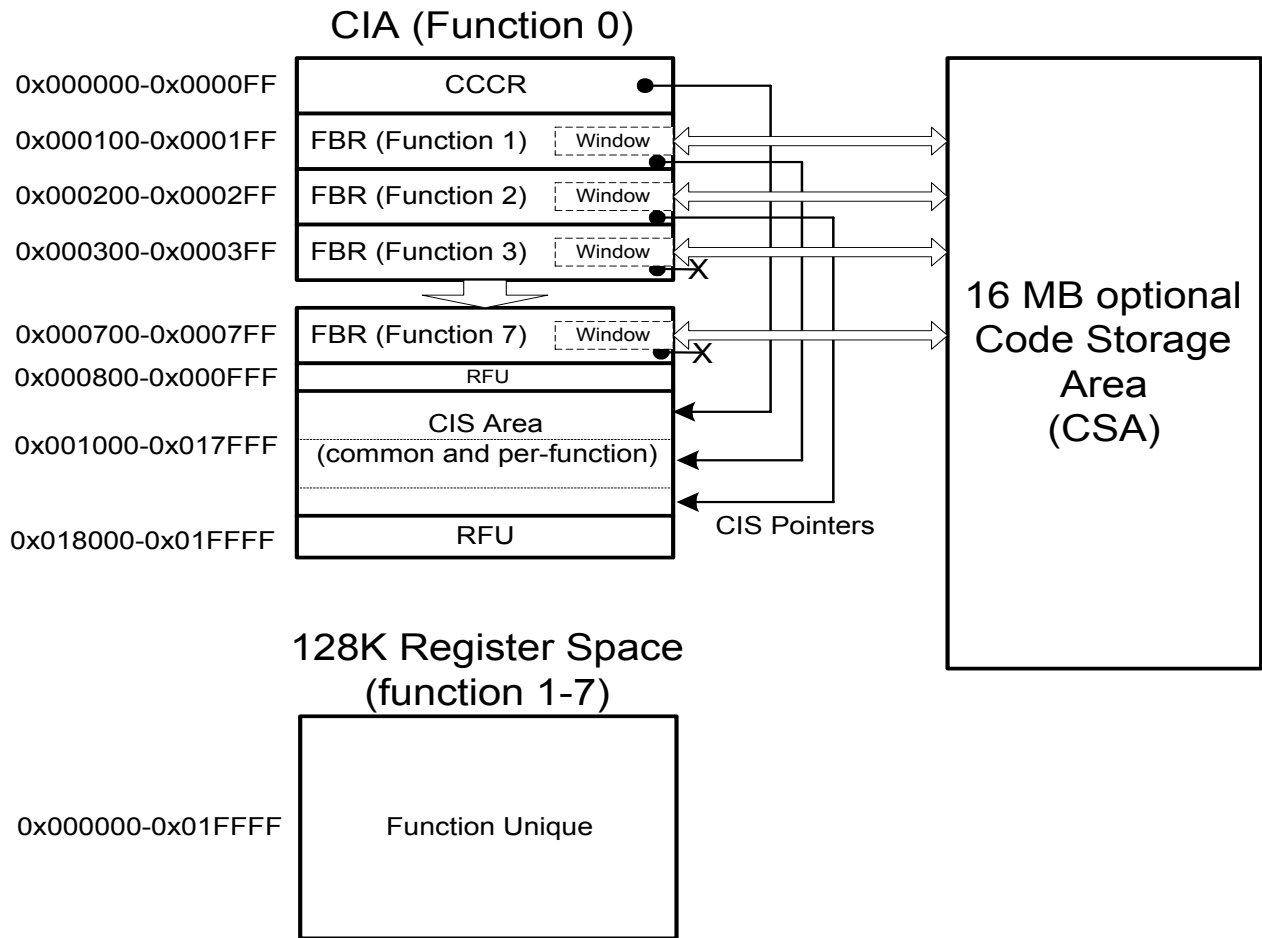


Figure 6-1 SDIO Internal Map

## 6.8 Common I/O Area (CIA)

The Common I/O Area (CIA) shall be implemented on all SDIO cards. The CIA is accessed by the host via I/O reads and writes to function 0. The registers within the CIA are provided to enable/disable the operation of the I/O function(s), control the generation of interrupts and optionally load software to support the I/O functions. The registers in the CIA also provide information about the function(s) abilities and requirements. There are three distinct register structures supported within the CIA. They are:

1. Card Common Control Registers (CCCR)
2. Function Basic Registers (FBR)
3. Card Information Structure (CIS)

## 6.9 Card Common Control Registers (CCCR)

The Card Common Control Registers allow for quick host checking and control of an I/O card's enable and interrupts on a per card (master) and per function basis. The bits in the CCCR are mixed Read/Write and read only. If any of the possible 7 functions are not provided on an SDIO card, the bits corresponding to unused functions shall all be read-only and read as 0. All reserved for future use bits (RFU) shall be read-only and return a value of 0. All writeable bits are set to 0 after power-up or reset. Access to the CCCR is possible even after initialization when the I/O functions are disabled. Access is performed using the I/O read and write commands defined in section 5. This allows the host to enable functions after initialization. The CCCR is organized as follows:

## SDIO Simplified Specification Version 2.00

Address	Register Name	Bit 7	Bit 6	Bit 5	Bit 4	Bit 3	Bit 2	Bit 1	Bit 0
0x00	CCCR/SDIO Revision	SDIO bit 3	SDIO bit 2	SDIO bit 1	SDIO bit 0	CCCR bit 3	CCCR bit 2	CCCR bit 1	CCCR bit 0
0x01	SD Specification Revision	RFU	RFU	RFU	RFU	SD bit 3	SD bit 2	SD bit 1	SD bit 0
0x02	I/O Enable	IOE7	IOE6	IOE5	IOE4	IOE3	IOE2	IOE1	RFU
0x03	I/O Ready	IOR7	IOR6	IOR5	IOR4	IOR3	IOR2	IOR1	RFU
0x04	Int Enable	IEN7	IEN6	IEN5	IEN4	IEN3	IEN2	IEN1	IENM
0x05	Int Pending	INT7	INT6	INT5	INT4	INT3	INT2	INT1	RFU
0x06	I/O Abort	RFU	RFU	RFU	RFU	RES	AS2	AS1	AS0
0x07	Bus Interface Control	CD Disable	SCSI	ECSI	RFU	RFU	RFU	Bus Width 1	Bus Width 0
0x08	Card Capability	4BLS	LSC	E4MI	S4MI	SBS	SRW	SMB	SDC
0x09-0x0B	Common CIS Pointer	Pointer to card's <i>common</i> Card Information Structure (CIS)							
0x0C	Bus Suspend	RFU	RFU	RFU	RFU	RFU	RFU	BR	BS
0x0D	Function Select	DF	RFU	RFU	RFU	FS3	FS2	FS1	FS0
0x0E	Exec Flags	EX7	EX6	EX5	EX4	EX3	EX2	EX1	EXM
0x0F	Ready Flags	RF7	RF6	RF5	RF4	RF3	RF2	RF1	RFM
0x10-0x11	FN0 Block Size	I/O block size for Function 0							
0x12	Power Control	Reserved for Future Use (RFU)						EMPC	SMPC
0x13	High-Speed	RFU	RFU	RFU	RFU	RFU	RFU	EHS	SHS
0x14-0xEF	RFU	Reserved for Future Use (RFU)							
0xF0-0xFF	Reserved for Vendors	Area Reserved for Vendor Unique Registers							

Table 6-1 Card Common Control Registers (CCCR)

Field	Type	Description												
CCCRx	R/O	<p>CCCR Format Version number. These 4 bits contain the version of the CCCR and FBR format that this card supports. Any change to the CCCR and/or the FBR structure shall cause a new version code to be assigned. The codes for the CCCR/FBR formats are as follows:</p> <table border="1"> <thead> <tr> <th>Value</th> <th>CCCR/FBR Format Version</th> </tr> </thead> <tbody> <tr> <td>0x00</td> <td>CCCR/FBR Version 1.00</td> </tr> <tr> <td>0x01</td> <td>CCCR/FBR Version 1.10</td> </tr> <tr> <td>0x02</td> <td>CCCR/FBR Version 1.20</td> </tr> <tr> <td>0x03-0x0F</td> <td>Reserved for Future Use</td> </tr> </tbody> </table>	Value	CCCR/FBR Format Version	0x00	CCCR/FBR Version 1.00	0x01	CCCR/FBR Version 1.10	0x02	CCCR/FBR Version 1.20	0x03-0x0F	Reserved for Future Use		
Value	CCCR/FBR Format Version													
0x00	CCCR/FBR Version 1.00													
0x01	CCCR/FBR Version 1.10													
0x02	CCCR/FBR Version 1.20													
0x03-0x0F	Reserved for Future Use													
SDIOx	R/O	<p>SDIO Specification Revision number. These 4 bits contain the version of the SDIO Specification that this card supports. The codes for the SDIO Specifications are as follows:</p> <table border="1"> <thead> <tr> <th>Value</th> <th>SDIO Specification</th> </tr> </thead> <tbody> <tr> <td>0x00</td> <td>SDIO Specification Version 1.00</td> </tr> <tr> <td>0x01</td> <td>SDIO Specification Version 1.10</td> </tr> <tr> <td>0x02</td> <td>SDIO Specification Version 1.20 (unreleased)</td> </tr> <tr> <td>0x03</td> <td>SDIO Specification Version 2.00</td> </tr> <tr> <td>0x04-0x0F</td> <td>Reserved for Future Use</td> </tr> </tbody> </table>	Value	SDIO Specification	0x00	SDIO Specification Version 1.00	0x01	SDIO Specification Version 1.10	0x02	SDIO Specification Version 1.20 (unreleased)	0x03	SDIO Specification Version 2.00	0x04-0x0F	Reserved for Future Use
Value	SDIO Specification													
0x00	SDIO Specification Version 1.00													
0x01	SDIO Specification Version 1.10													
0x02	SDIO Specification Version 1.20 (unreleased)													
0x03	SDIO Specification Version 2.00													
0x04-0x0F	Reserved for Future Use													

## SDIO Simplified Specification Version 2.00

Field	Type	Description										
SDx	R/O	<p>SD Format Version number. These 4 bits contain the version of the SD Physical Specification that this card supports. The codes for the SD Physical Specification are as follows:</p> <table border="1"> <thead> <tr> <th>Value</th> <th>SD Physical Specification</th> </tr> </thead> <tbody> <tr> <td>0x00</td> <td>SD Physical Specification Version 1.01 (March 2000)</td> </tr> <tr> <td>0x01</td> <td>SD Physical Specification Version 1.10 (October 2004)</td> </tr> <tr> <td>0x02</td> <td>SD Physical Specification Version 2.00 (May 2006)</td> </tr> <tr> <td>0x03-0x0F</td> <td>Reserved for Future Use</td> </tr> </tbody> </table>	Value	SD Physical Specification	0x00	SD Physical Specification Version 1.01 (March 2000)	0x01	SD Physical Specification Version 1.10 (October 2004)	0x02	SD Physical Specification Version 2.00 (May 2006)	0x03-0x0F	Reserved for Future Use
Value	SD Physical Specification											
0x00	SD Physical Specification Version 1.01 (March 2000)											
0x01	SD Physical Specification Version 1.10 (October 2004)											
0x02	SD Physical Specification Version 2.00 (May 2006)											
0x03-0x0F	Reserved for Future Use											
IOEx	R/W	<p>Enable Function - If this bit is reset to 0, the function is disabled. If this bit is set to 1, the function is enabled to start its initialization. The completion of initialization is indicated in IORx. On power up or after a reset, the card shall reset this bit to 0. The host can also use IOEx as a per function reset for error recovery. The host sequence for a per function reset is to reset IOEx to 0, wait until IORx becomes 0 and then set IOEx to 1 again. If the error is not recovered by this sequence, SDIO reset should be used noting that the operation of all functions will be aborted. See section 11 for relation to Master Power Control and Power Select.</p>										
IORx	R/O	<p>I/O Function Ready- If this bit is reset to 0, the function is not ready to operate. This may be caused by the function being disabled or not ready due to internal causes such as a built-in self-test in progress. If this bit is set to 1, the function is ready to operate. The functions shall set this bit to 1 within the timeout value defined in the TPLFE_ENABLE_TIMEOUT_VAL tuple. On power up or after a reset, this bit shall be set to 0. For any function that is not implemented on an SDIO card, this bit shall always be 0.</p>										
IENx	R/W	<p>Interrupt Enable for function x. If this bit is cleared to 0, any interrupt from this function shall not be sent to the host. If this bit is set to 1, then this function's interrupt shall be sent to the host if the master Interrupt Enable (bit 0) is also set to 1.</p>										
IENM	R/W	<p>Interrupt Enable Master. If this bit is cleared to 0, no interrupts from this card shall be sent to the host. If this bit is set to 1, then any function's interrupt shall be sent to the host.</p>										
INTx	R/O	<p>Interrupt Pending for function x. If this bit is cleared to 0, this indicates that no interrupts are pending from this function. If this bit is set to 1, then this function has interrupt pending. Note that if the IENx or IENM bits are not set, the host cannot receive this pending interrupt.</p>										
ASx	W/O	<p>Abort Select In order to abort an I/O read or write and free the SD bus, the function that is currently transferring data must be addressed. These 3 bits define which function's transfer to stop. For example, the abort the transfer to function number 3, the value of 0x03 would be written to these bits using CMD52 only. If the abort is addressed to a suspended function, it does not affect current data transaction. Note that this is an abort, not a reset. The addressed function shall return to the CMD state and data transfer pending to that function shall be halted. This abort procedure does not work for SPI write operations. To abort an SPI write data transfer use the STOP_TRAN token as defined in section 7.3.3 of the SD Physical Specification. This form of abort applies only to the functions of an SDIO card. For the memory of a combo card, the abort methods defined in the SD Physical Specification shall be used to abort transfers to/from memory</p>										
RES	W/O	<p>I/O CARD RESET: Setting the RES to 1 shall cause all I/O functions in an SDIO or Combo card to perform a soft reset. Setting the RES to 1 does not affect the current card protocol selection(SD vs. SPI mode) and CD Disable. Setting of the RES bit shall only be performed using CMD52. When RES=1, the values of AS2-0 are don't-cares. The RES bit is auto cleared, so there is no need to rewrite a value of 0. This bit is write-only, any read returns an undetermined value. Memory in a combo card is not affected.</p>										

**SDIO Simplified Specification Version 2.00**

<b>Field</b>	<b>Type</b>	<b>Description</b>
Bus Width 1:0	R/W	Defines the data bus width ('00'=1-bit or '10'=4-bit bus) to be used for data transfer. All Full-Speed SDIO cards support both 1 and 4-bit bus. A Low-Speed SDIO card's support of 4-bit bus is optional. On reset or power-on these bits are cleared to 00.
CD Disable	R/W	Connect[0]/Disconnect[1] the 10K-90K ohm pull-up resistor on CD/DAT[3] (pin 1) of the card. The pull-up may be used for card detection. This bit is cleared to 0 on power-on (connected). Its state is not affected by a reset command.
SCSI	R/O	Support Continuous SPI interrupt. This read-only bit is set to indicate that this SDIO card supports the assertion of interrupts in the SPI mode at any time, irrespective of the status of the card select (CS) line. If this bit is zero, then this SDIO card can only assert the interrupt line in the SPI mode when the CS line is asserted. This bit signals the capability of all functions in the SDIO card.
ECSI	R/W	Enable Continuous SPI Interrupt. If the SCSI bit is set, then this R/W bit is used to allow the SDIO card to assert the interrupt line in the SPI mode at any time, irrespective of the state of the CS line. This bit is cleared to zero on reset or power-up. If the SCSI bit is clear, this bit shall be read only and set to zero. This bit controls the assertion of interrupts in the SPI mode for all functions in the SDIO card.
SDC	R/O	Card Supports Direct Commands during data transfer. This bit applies only to the SD modes, it does not apply to SPI mode. This flag bit reports the SDIO card's ability to execute CMD52 while data transfer is in progress. If this bit is set, all I/O functions shall accept and execute the CMD52 while data transfer is underway on the DAT[x] lines. Also, any memory in a combo card shall allow the CMD52 to execute while it is transferring data. Since the CMD52 does not use the DAT[x] lines, it is possible to execute while data transfer to a different address on the card is underway. CMD52 is described in 5.1. In any case, SD or SPI mode, if an error occurs during data transfer the SDIO card shall accept CMD52 to allow I/O abort and reset regardless of this bit value. If the card supports suspend/resume then it shall also support this bit.
SMB	R/O	Card Supports Multi-Block. This flag bit reports the SDIO card's ability to execute the IO_RW_EXTENDED command (CMD53) in the block mode. If this bit is set, all I/O functions (0-7) shall accept and execute CMD53 with the optional block mode bit set. The IO_RW_EXTENDED command is described in 5.3
SRW	R/O	Card Supports Read Wait. This bit applies only to the SD modes, it does not apply to SPI mode. This flag bit reports the SDIO card's ability to support the Read Wait Control (RWC) operation. If set, all functions on the card are able to accept the wait signal on DAT[2]. RWC operation is described in section 6.5. Any card that supports Suspend/Resume shall also support Read Wait
SBS	R/O	Card supports Suspend/Resume. This bit applies only to the SD modes, it does not apply to SPI mode. This flag bit reports the SDIO card's ability to Suspend and Resume operations at the request of the host. If this bit is set, all functions except 0 shall accept a request to suspend operations and resume under host control. Suspend/Resume operation is described in 6.4. If this bit is 0, registers (0x0C-0x0F) shall not be supported.
S4MI	R/O	Supports interrupt between blocks of data in 4-bit SD mode. This flag bit reports the SDIO card's ability to generate interrupts during a 4-bit multi-block data transfer. If this bit is 0, then the SDIO card is not able to signal an interrupt during a multi-block data transfer in 4-bit mode. In this case, the interrupt is not signaled until after the data transfer is complete. If this bit is 1, then the SDIO card is able to signal an interrupt between blocks while data transfer is in progress. This operation is described in 8.1.4 Note, even if a card does not support the interrupt during 4-bit block transfer (S4MI=0), the card may signal interrupts during all other Interrupt Periods while the interrupt is enabled (IENx=1).



**SDIO Simplified Specification Version 2.00**

<b>Field</b>	<b>Type</b>	<b>Description</b>
E4MI	R/W	Enable interrupt between blocks of data in 4-bit SD mode. Enable the multi-block IRQ during 4-bit transfer for the SDIO card. When this bit is 0, the card shall not signal interrupts during a 4-bit multi-block data transfer. If this bit is 1, the card shall generate interrupts during 4 bit multi-block data transfers as described in 8.1.4. If this SDIO card does not support 4 bit multi-block IRQs (S4MI=0), then this bit shall be R/O and always read as 0. This bit shall be cleared to 0 by any reset.
LSC	R/O	Card is a Low-Speed card. If this bit is set, it indicates that the SDIO card is a Low-Speed card (see 2.1). If this bit is clear, the SDIO card is a Full-Speed card.
4BLS	R/O	4-bit support for Low-Speed cards. If the SDIO card is a Low-Speed card (LSC=1) and it supports 4-bit data transfer, then this bit shall be set. If the card is not Low-Speed or if the card does not support 4-bit transfer, then this bit shall be zero.
Pointer to card's common CIS	R/O	This 3-byte pointer points to the start of the card's common CIS. The common CIS contains information relation to the entire card. The card common CIS shall be located within the CIS space of function 0 (0x001000- 0x017FFF) as described in section 6.11. A card common CIS is mandatory for all SDIO cards. This pointer is stored in little-endian format (LSB first).
BS	R/O	Bus status: If this bit is set to 1, then the currently addressed function (selected by FSx or by the function number in an I/O command) is currently executing a command which transfers data on the DAT[x] line(s). If this bit is 0, then the addressed function is not using the data bus. This bit is used by the host to determine which function of a multi-function or combo card is currently performing data transfer. Note that this bit is a part of the optional Suspend/Resume protocol. If the card does not support Suspend/Resume, this bit shall be read as 0. Any access to the CIA may not be suspended, so in this case, BS shall always be set to 1, irrespective of the host setting BR to 1.
BR	R/W	<p>Bus Release Request/Status: This bit is used to request that the addressed function (selected by FSx or by the function number in CMD53 or Memory commands using DAT line) release the Data lines and suspend operation. If the host sets this bit to 1, the addressed function shall temporarily halt data transfer on the DAT[x] lines and suspend the command that is in process. The BR bit shall remain set to 1 until the release is complete. If the card can never accept the suspend request while executing transactions, the card shall return response with BR cleared to 0 and BS set to 1. This indicates that the suspend request is cancelled by the card and thus the host should not issue a cancel suspend command.</p> <p>The followings are the cases where the card can cancel a suspend request:</p> <ul style="list-style-type: none"> <li>Transaction addressed to function 0.</li> <li>The card knows the transfer will terminate soon.</li> <li>The card knows the transfer is timing critical (i.e. If suspended, the transfer cannot proceed).</li> </ul> <p>A Multi function card that indicates SBS=1, but contains a function that does not support suspend/resume.</p> <p>Once the function is in suspend, it shall signal the host by clearing the BS and BR bits. The host can monitor the status of the suspend request by reading the BR bit. If it is set, the suspend request is still in progress. A pending suspend request can be cancelled by the host by writing 0 to the BR bit.</p> <p>The Standard Host Specification defines following suspend sequence:</p> <p>If the suspend request is not accepted, the host retries with a cancel suspend request command. Even if the card received a cancel suspend command, it should accept suspend if possible. If the card does not accept suspend, the host considers the function to have never suspend.</p> <p>However, the host should monitor the BR, BS and EXx bits to confirm that the suspend request was cancelled rather than granted. If SBS=0, this bit shall be R/O and read as 0.</p>

## SDIO Simplified Specification Version 2.00

Field	Type	Description										
FSx	R/W	<p>Select Function bits 3:0 These four bits are used to select a function number (0-7) or the memory of a combo card (8) for Suspend/Resume. There are 2 means to write the value of FSx. First, an I/O writes to the register in the CCCR and second, a new I/O command causes the FSx to be set to the function number in that command. The value of FSx shall remain until overwritten. If a function or memory is currently suspended, the writing of it's number to FSx shall re-start (resume) the data transfer operation When reading FSx, the value returned shall be the number of the currently addressed function. Note that when reading FSx, if the Bus Status is 0 (BS=0), the FSx value is undefined. The FSx bits are coded as follows:</p> <table border="1"> <thead> <tr> <th>FSx</th> <th>Current Transaction</th> </tr> </thead> <tbody> <tr> <td>0000</td> <td>Transaction of function 0 (CIA)</td> </tr> <tr> <td>0001-0111</td> <td>Transaction to functions 1-7</td> </tr> <tr> <td>1000</td> <td>Transaction of memory in combo card</td> </tr> <tr> <td>1001-1111</td> <td>Not defined, reserved for future use</td> </tr> </tbody> </table> <p>If SBS=0 these bits shall be R/O.</p>	FSx	Current Transaction	0000	Transaction of function 0 (CIA)	0001-0111	Transaction to functions 1-7	1000	Transaction of memory in combo card	1001-1111	Not defined, reserved for future use
FSx	Current Transaction											
0000	Transaction of function 0 (CIA)											
0001-0111	Transaction to functions 1-7											
1000	Transaction of memory in combo card											
1001-1111	Not defined, reserved for future use											
DF	R/O	<p>Resume Data Flag: A data transaction is resumed by writing its number to FSx. Once the transaction is resumed, the DF indicates if more data will be transferred. If DF is cleared to 0, then no additional data will be transferred after the function or memory is resumed. If DF is set to 1, then there is more data to transfer that will begin after the function or memory in resumed. The DF flag can be used to control the interrupt cycle in 4-bit mode. If DF=1, there is more data to transfer after restoring the function. In this case, the interrupt cycle should be disabled. If DF=0, the function or memory was suspended at end of data transfer (during busy). In this case, no data transfer shall begin after resume so the host can detect a start interrupt cycle after restore. When resuming, if the suspended function cannot continue data transfer the card shall return DF=0 to abort the transfer.</p>										
EXx	R/O	<p>Execution Flag bits 7:0 These bits are used by the host to determine the current execution status of all functions (1-7) and memory (0). The bit is set to 1 for each function or memory that is currently executing a command. The EXx bits tell the host that a function or memory is currently executing a command so no additional command should be issued to that function/memory. These bits are only defined if SBS=1. This bit is set if the function is active (either currently executing or suspended). If SBS=0 these bits shall be read as zero.</p>										
RFx	R/O	<p>Ready Flag bits 7:0 These bits tell the host the read or write busy status for functions (1-7) and memory (0). If a function or memory is executing a write transaction, an RFx bit cleared to 0 indicates the function/memory is busy and not ready to accept more data. If the RFx bit is set to 1, then the function/memory can accept write data. If a function/memory is executing a read command, if the RFx bit is cleared to 0, it indicates that read data is NOT available. If the bit is set to 1, it indicates that read data is ready to be transferred. These bits are only defined if SBS=1. Setting a bit to 1 indicates the function is ready to accept the resume command. There are two conditions where the function will set the bit to 1. One is when the function (executing or suspended) is ready to continue data transfer. The other is when the suspended function cannot continue data transfer. If SBS=0 these bits shall be read as zero.</p>										
FN0 Block Size	R/W	<p>This 16-bit register sets the block size for I/O block operations for Function 0 only. If this card does not support I/O block operations (SMB=0), then this register becomes read-only and shall always read 0x0000. The maximum block size is 2048 (0x0800) and the minimum is 1. At power-up or reset, this register shall be initially loaded with a value of 0x0000. The host is responsible for setting the appropriate value for the block size supported by function 0. This pointer is stored in little-endian format (LSB first).</p>										

**SDIO Simplified Specification Version 2.00**

<b>Field</b>	<b>Type</b>	<b>Description</b>
SMPC	R/O	Support Master Power Control These bits tell the host if the card supports Master Power Control. SMPC=0 : The total card current is less than 200mA, even if all functions are active (IOEx=1). EMPC,SPS and EPS shall be zero. SMPC=1 :The total card current may exceed 200mA. EMPC, SPS and EPS are available.
EMPC	R/W	Enable Master Power Control EMPC=0(default): The total card current shall be less than 200mA. The card automatically switches the mode of function(s) to lower current or does not allow some functions to become enabled, regardless of the value of EPS, so that total card current is 200mA or less. (The card manufacturer determines which functions operate and their modes to guarantee this limit.) EMPC=1: The total card current may exceed 200mA and SPS and EPS are available. The host uses SPS, EPS in FBR and IOEx to enable higher current function modes based on the host's ability to supply the necessary current.
SHS	R/O	Support High-Speed This flag bit reports the card's ability to operate in High-Speed mode SHS=0: The card does not support High-Speed mode SHS=1: The card supports High-Speed mode. The host enables High-Speed mode via the EHS bit. See section 12 for details on switching between default and High-Speed mode.
EHS	R/W	Enable High-Speed EHS=0 (default): The card operates in default timing mode with a clock rate up to 25MHz. EHS=1 : High-Speed Mode The card operates in High-Speed timing mode with a clock rate up to 50MHz. See section 12 for details on switching between default and High-Speed mode. When SHS is set to 0, writing to this bit is ignored and always indicates 0.
RFU	R/O	Any bit defined as Reserved for Future Use (RFU) shall be read-only and shall be read as 0.
Reserved for Vendors	R/W	These 16 registers are reserved for the maker of the I/O card to be used for any operations that are defined by and specific to any vendor unique operation. Information about the use of these optional registers needs to be obtained from the SDIO card maker. Reading and/or writing these registers without understanding the vendor's definitions may cause unexpected behavior or even damage to the card.

**Table 6-2 CCCR bit Definitions**

**SDIO Simplified Specification Version 2.00****6.10 Function Basic Registers (FBR)**

In addition to the CCCR, each supported I/O function has a 256-byte area used to allow the host to quickly determine the abilities and requirements of each function, enable power selection for each function and to enable software loading. The address of this area is from 0x00n00 to 0x00nFF where n is the function number (0x1 to 0x7). This per-function area is structured as follows:

Address	7	6	5	4	3	2	1	0
0x100	Function 1 CSA enable	Function 1 supports CSA	RFU	RFU	Function 1 Standard SDIO Function interface code			
0x101	Function 1 Extended standard SDIO Function interface code							
0x102	RFU	RFU	RFU	RFU	RFU	RFU	EPS	SPS
0x103-0x108	Reserved for Future Use (RFU)							
0x109-0x10B	Pointer to Function 1 Card Information Structure (CIS)							
0x10C-0x10E	Pointer to Function 1 Code Storage Area (CSA)							
0x10F	Data access window to Function 1 Code Storage Area (CSA)							
0x110-0x111	I/O block size for Function 1							
0x112-0x1FF	Reserved for Future Use							
0x200-0x7FF	Function 2 to 7 Function Basic Information Registers (FBR)							
0x800-0xFF	Reserved for Future Use							

**Table 6-3 Function Basic Information Registers (FBR)**

The Individual bits and fields in the FBA are defined below in Table 6-4.

Field	Type	Description
SDIO Standard Function interface code	R/O	The SDIO Standard Function code identifies those I/O functions, which implement the recommended standard interface as defined in a separate Application Specification. A complete and current list of assigned standard codes shall be maintained and published in any addendums to this specification. The codes assigned to those standard interfaces at the time this specification was published are:  0x0 No SDIO standard interface supported by this function 0x1 This function supports the SDIO Standard UART 0x2 This function supports the SDIO Type-A for Bluetooth standard interface 0x3 This function supports the SDIO Type-B for Bluetooth standard interface 0x4 This function supports the SDIO GPS standard interface 0x5 This function supports the SDIO Camera standard interface 0x6 This function supports the SDIO PHS standard interface 0x7 This function supports the SDIO WLAN interface 0x8 This function supports the Embedded SDIO-ATA standard interface (Embedded SDIO-ATA shall be implemented only on devices following the “Embedded SDIO Specification”). 0x9-0x0E Not assigned, reserved for future use 0xF This function supports an SDIO standard interface number greater than 0xE. In this case, the value in byte 0x101 identifies the standard SDIO interfaces type.
Function Supports CSA	R/O	If this function supports and contains a Code Storage Area (CSA), this bit shall be set to 1. If this function does not support a CSA, this bit shall be cleared to 0. CSA enable is controlled by bit 7 of register 0xn00.

**SDIO Simplified Specification Version 2.00**

Field	Type	Description
Function CSA Enable	R/W	This bit controls access to the Code Storage Area for this function. If this bit is cleared to 0, then any read or write access to the CSA shall be blocked. If this bit is set to 1, then access to the CSA is allowed. This bit is cleared to 0 upon reset. If this function does not support CSA (0xn00 bit 6=0), then this bit shall be R/O and always read as 0.
Extended SDIO Standard Function interface code	R/O	This is the extension of the SDIO Standard Function interface code. If the SDIO Standard Function interface code is greater than 0xE, then this byte shall contain the code and the standard code (0x100 bits 3-0) shall contain a value of 0xF. If the standard code is less than 0xF, then this byte shall be 0x00.
SPS (Support Power Selection)	R/O	This bit indicates if the function has Power Selection. SPS=0 :This function has no Power Selection. EPS shall be zero. SPS=1 :This function has 2 power modes which are selected by EPS.
EPS (Enable Power Selection)	R/W	EPS=0(default): The function operates in Higher Current Mode The maximum current for the function shall be given in TPLFE_HP_MAX_PWR_3.3V EPS=1: The function works in Lower Current Mode The maximum current for the function shall be given in TPLFE_LP_MAX_PWR_3.3V This bit shall be reset when IOEx=0.
Address pointer to Function CIS	R/O	These three bytes make up a 24-bit pointer (only the lower 17 bits are used) to the start of the Card Information Structure (CIS) that is associated with each function. The CIS is defined in section 6.11. A CIS is mandatory for each function on an SDIO card. This pointer is stored in little-endian format (LSB first). This register points to the End of Chain tuple if the function is not supported on the card.
Address pointer to Function CSA	R/W	These three bytes make up a 24-bit pointer to the desired byte in the CSA to read or write. After any read or write to the CSA access window register, this pointer shall be automatically incremented by 1. If this function does not support CSA (0xn00 bit 6=0), then these 24 bits shall be R/O and always read as 0x000000. This pointer is stored in little-endian format (LSB first).
Data access window to CSA	R/W	Any read or write to this address when the CSA is enabled (0xn00 bit 7=1), shall pass data to/from the byte addressed by the CSA address pointer. If this function does not support CSA (0xn00 bit 6=0), then these 8 bits shall be R/O and always read as 0x00.
Function 1-7 I/O Block Size	R/W	This 16-bit register sets the block size for I/O block operations for each function (1-7). If this card does not support I/O block operations (SMB=0), then this register becomes read-only and shall always read 0x0000. The maximum block size is 2048 (0x0800) and the minimum is 1 (0x0001). At power-up or reset, this register shall be initially loaded with a value of 0x0000. The host is responsible for setting the appropriate value for the block size supported by each function. This pointer is stored in little-endian format (LSB first).

**Table 6-4 FBR bit and field definitions**

## 6.11 Card Information Structure (CIS)

The Card Information Structure provides more complete information about the card and the individual functions. The CIS is the common area to read information about all I/O functions that exist in a card. The design is based on the PC Card16 design standardized by PCMCIA. All cards that support I/O shall have a common CIS and a CIS for each function. The CIS is accessed by reads to a fixed area as shown in Table 6-5 This one area serves the card as a Common CIS and also as the storage area for each function. The common area and each function have a pointer to the start of its CIS within this memory space.

Address	7	6	5	4	3	2	1	0
0x0001000 - 0x017FFF	Card Common Card Information Structure (CIS) area for card common and all functions							
0x018000- 0x01FFFF	Reserved for Future Use							

**Table 6-5 Card Information Structure (CIS) and reserved area of CIA**

The valid tuples (storage structures) from the PCMCIA specification and new tuples created for SDIO are defined in section 16.7.

## 6.12 Multiple Function SDIO Cards

Multiple Function SDIO Cards shall have a separate set of Configuration registers for each function on the card. Multiple Function SDIO Cards shall use a combination of a CIS common to all functions on the card and a separate function-specific CIS specific to each function on the card. The common CIS describes features that are common to all functions on the card. Each function-specific CIS describes features specific to a particular function on the SDIO Card. Functions are numbered sequentially beginning with 1.

The CMD5 response indicates the total number of functions, which includes 'dummy' functions. The host shall iterate through the CIS entries based on the CMD5 response.

The ERROR status flag of an R5 response is type "E R X", (see section 5.2.1) and can indicate an error in the previous command. Since the host software needs a method to determine which function detected the error, a Multiple Function SDIO cards shall only return the R5 ERROR status flag in the subsequent command issued to the same function.

## 6.13 Setting Block Size with CMD53

The host sets the block size for a function's multiple block transfers by writing to the 16-bit Function I/O Block Size register in the FBR (see Table 6-4). The host shall not write this register using CMD53 with Block Mode set to 1. If the card detects an invalid block size before executing CMD53 with Block Mode set to 1, it shall indicate an OUT\_OF\_RANGE error in the current response and shall not perform data transfer. This will also stop the interrupt period (see section 8.1.3)

SDIO Simplified Specification Version 2.00

### 6.14 Bus State Diagram

Figure 6-2 shows the Bus State Diagram for an SDIO card. It shows the bus states and their relations to SDIO commands and Suspend/Resume.

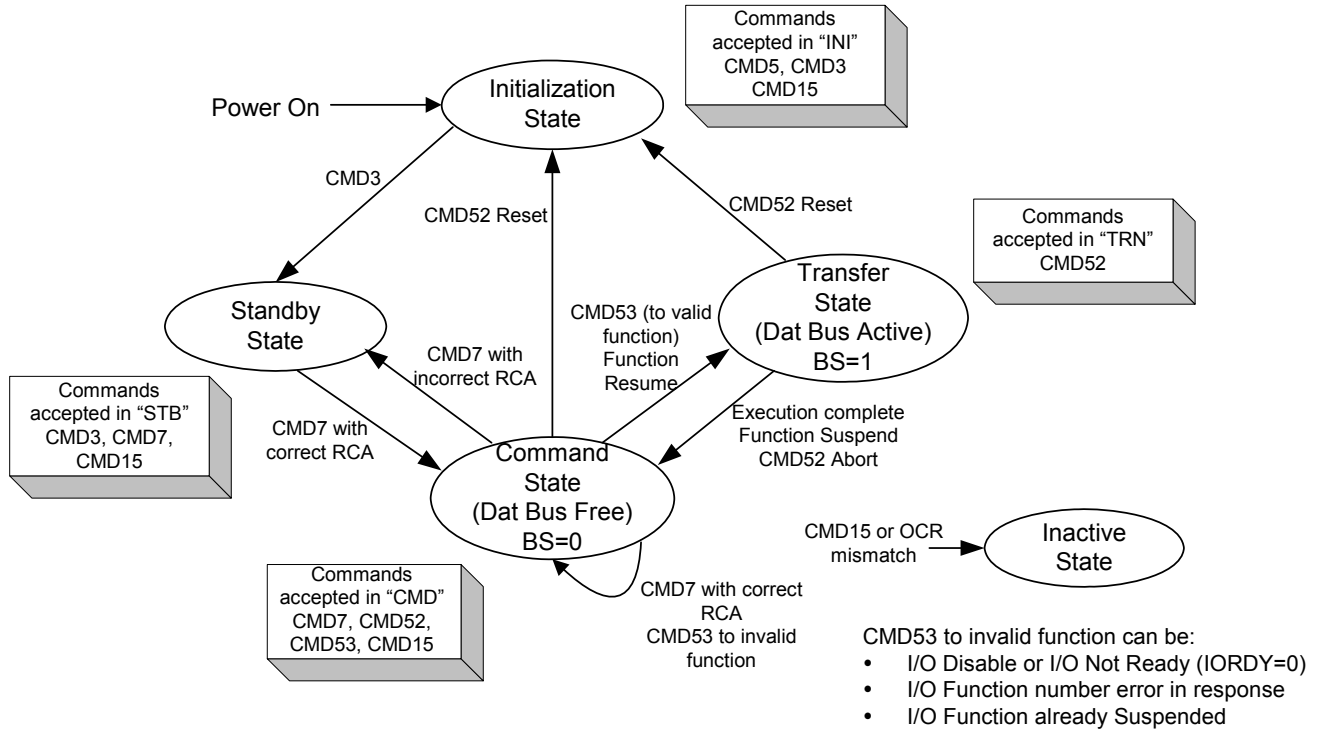


Figure 6-2 State Diagram for Bus State Machine

## 7. Embedded I/O Code Storage Area (CSA)

In order to support the concept of “Plug-and-Play” for SDIO cards, each function contained in a card may need to contain a block of memory for the storage of drivers and/or applications. In addition, since the same SDIO card may be used on multiple different host platforms, several different versions of the code may be needed for each function. One option is to store these programs in a standard SD Memory section of a combo card. Alternately, a standard access means to load the code is contained in the optional Code Storage Area (CSA). The CSA is a separate 16MB memory area that is accessed using the CSA address pointer and the CSA window register contained in the FBR registers. Note that each function may have its own CSA to support it. The CSA data can be read only or R/W. The actual storage method for the CSA is not a part of this specification and left to the implementers.

### 7.1 CSA Access

In order for the host to access a function’s CSA, it first shall determine if that function supports a CSA. The host reads the FBR register at address 0x00n00 where n is the function number (0x1 to 0x7). If bit 6=1, then the function supports a CSA and the host enables access by writing bit 7=1. The next step is for the host to load the 24 bit address to start reading or writing. This is accomplished by writing the 24 bits (A23-0) to registers 0x00n0C to 0x00n0E where n is the function number (0x1 to 0x7). Once the start address is written, data can be read or written by accessing register 0x00n0F, the CSA data window register. If more than 1 byte needs to be read or written, an extended I/O command (byte or block) can be performed with an OP code of 0 (fixed address). The address pointer shall be automatically incremented with each access to the window register, so the access will be to sequential addresses within the CSA. Once the operation is complete, the address of the NEXT operation shall be held in the 24 bit address register for the host to read.

### 7.2 CSA Data Format

The data stored in the CSA shall be structured using the FAT12/FAT16 format. This format is defined in the ISO specification: *ISO/IEC9293:1994 Information technology - Volume and file structure of disk cartridges for information interchange*. This specification is also the basis for the SD memory cards. The information on the SD memory implementation can be found in the SDA publication: *Part 2 FILE SYSTEM SPECIFICATION Version 2.00 May 9, 2006*. The actual layout of files within the CSA is undefined by this specification.

The use of the CSA for program or data storage for different host types requires that the SDIO card manufacturer load the programs and data in a file format that may be recognized by the host. An example of this would be the use of a specific file name saved within a specific subdirectory that is recognized and executed by a particular host operating system. Such formats are specific and sometimes proprietary to different host implementations and operating systems.

The rest of this chapter is not included in the Simplified Specification.



## 8. SDIO Interrupts

In order to allow the SDIO card to interrupt the host, an interrupt function is added to a pin on the SD interface. Pin number 8, which is used as DAT[1] when operating in the 4-bit SD mode, is used to signal the card's interrupt to the host. The use of interrupt is optional for each card or function within a card. The SDIO interrupt is "level sensitive", that is, the interrupt line shall be held active (low) until it is either recognized and acted upon by the host or de-asserted due to the end of the Interrupt Period (see 8.1.2). Once the host has serviced the interrupt, it is cleared via some function unique I/O operation. All hosts shall provide pull-up resistors on all data lines DAT[3:0] as described in section 6 of the SD Physical Specification.

### 8.1 Interrupt Timing

The operation of the interrupt pin is different between the SPI mode and the SD mode. The operation of the interrupt pin is defined as follows:

#### 8.1.1 SPI and SD 1-bit Mode Interrupts

In the SPI and 1-bit SD mode, Pin 8 is dedicated to the interrupt function. Thus, in the SPI and SD 1-bit modes there are no timing constraints on interrupts. A card in the SPI or 1-bit SD mode signals an interrupt to the host at any time by asserting pin 8 low. The host detects this pending interrupt using a level sensitive input. The host is responsible for clearing the interrupt. If the SDIO card is operating in the SPI mode, the interrupt from the card may not be asserted if the card is not selected.(CS=0). The exception to this requirement occurs only if the card is both capable of interrupting when not selected (the SCSI bit in the CCCR = 1), and has that feature turned on (the ECSI bit = 1). In this case, the card may assert the interrupt irrespective of the state of the CS line. For more information, see Table 6-1.

#### 8.1.2 SD 4-bit Mode

Since Pin 8 is shared between the IRQ and DAT[1] use in the 4-bit SD mode, an interrupt shall only be sent by the card and recognized by the host during a specific time. The time that a low on Pin 8 shall be recognized as an interrupt is defined as the **Interrupt Period**.

An SDIO host shall only sample the level on Pin 8 (DAT[1]/IRQ) into the interrupt detector during the Interrupt Period. At all other times, the host interrupt controller shall ignore the level on Pin 8. Note that the Interrupt Period is applicable for both memory and I/O operations

The definition of the Interrupt Period is different for operations with single block and multiple block data transfer.

#### 8.1.3 Interrupt Period Definition

This section is not included in the Simplified Specification.

#### 8.1.4 Interrupt Period at the Data Block Gap in 4-bit SD Mode (Optional)

This section is not included in the Simplified Specification.

#### 8.1.5 Inhibited Interrupts (Removed Section)

This section is not included in the Simplified Specification.

#### 8.1.6 End of Interrupt Cycles

This section is not included in the Simplified Specification.

**8.1.7 Terminated Data Transfer Interrupt Cycle**

This section is not included in the Simplified Specification.

**8.1.8 Interrupt Clear Timing**

Since the SDIO card uses level sensitive interrupts, the host shall clear pending interrupts with an I/O read or write to some function unique area. In some host implementations, the sending of a CMD52 to the card is handled by host adapter hardware while the host CPU can execute other operations. This condition may allow an interrupt that has already been handled to re-interrupt the host if the timing of the interrupt clear is not controlled. To prevent this condition, Any SDIO card that implements interrupts shall follow some required timing with respect to removing the interrupt from the DAT[1] line after the write to the function unique area that clears the interrupt. The clearing of the interrupt can be caused by an I/O write in a function unique method, or by a function unique I/O read. An example of clearing an interrupt using an I/O read would be a function where the reading of a data register may automatically clear the data ready interrupt.

The rest of this section is not included in the Simplified Specification.

## 9. SDIO Suspend/Resume Operation

The procedure used to perform the Suspend/Resume operation on the SD bus is:

1. The host determines which function is currently using the DAT[3:0] line(s).
2. The host requests the lower priority or slower transaction to suspend.
3. The host checks for the transaction suspension to complete.
4. The host begins the higher priority transaction.
5. The host waits for the completion of the higher priority transaction.
6. The host restores the suspended transaction.

If the current transaction can accept suspend and the card receives a suspend command during Read Wait, it shall accept the suspend request.

The rest of this chapter is not included in the Simplified Specification.

## 10. SDIO Read Wait Operation

The optional Read Wait (RW) operation is defined only for the SD 1-bit and 4-bit modes. The read Wait operation allows a host to signal a card that is executing a read multiple (CMD53) operation to temporarily stall the data transfer while allowing the host to send commands to any function within the SDIO card. To determine if a card supports the Read Wait protocol, the host shall test SRW capability bit in the Card Capability byte of the CCCR (see Table 6-1). The timing for Read Wait is based on the Interrupt Period that is defined in section 8.1

If a card does not support the Read Wait protocol, the only means a host has to stall (not abort) data in the middle of a read multiple command is to control the SDCLK. Read wait support is mandatory for the card to support suspend/resume.

The rest of this chapter is not included in the Simplified Specification.

## 11. Power Control

### 11.1 Power Control Overview

The concept of high-power SDIO cards was introduced in Version 1.10 of the SDIO Specification. Power Control supports following two features:

- **High-Power Support**  
SDIO cards created prior to Version 1.10 of the SDIO Specification were limited to a maximum current of 200mA at any time, irrespective of the number or types of functions supported. With the creation of wireless communication devices in the SDIO form factor, a need was seen to provide more current to accommodate the higher power requirements of some SDIO cards. Since backward compatibility is a primary concern for any changes made to this specification, a method was chosen to prevent a high-power card from drawing excessive amounts of current from hosts designed to only support the SDIO 1.0 cards. Master Power Control allows standard and high-power cards to be inserted into any host without causing excessive current damage to the host. It is important to note that there exists the possibility of trying to use a card that requires high-power in a standard power host and having that card fail to operate. Master Power Control is supported on a per card basis and available to the host in the CCCR. A high-power card may have a mix of both high and standard power functions.
- **Power Selection Support**  
Not all hosts can supply enough current for all SDIO cards. A host may choose to use the SDIO card in a lower power mode to increase operation time. Power Selection enables the host to switch the card to a lower power mode. It is important to note that there exists the possibility of trying to use a standard power card in a host that does not have enough power to meet the card's requirement. In this case the card will fail to operate. Cards supporting Power Selection will enable the widest range of host support. Power Selection is supported on a per function basis and available to the host in the FBR.

### 11.2 Power Control support for SDIO Cards

#### 11.2.1 Master Power Control

SDIO version 1.10 cards indicate their support for the new power control functions with the SMPC (Support Master Power Control) bit in the CCCR (See section 6.9). Hosts enable the card's power control functions with the EMPC (Enable Master Power Control) bit.

SMPC can be set to 0 if the card maximum current is less than 200mA and Power Selection (see section 11.2.2) is not supported. A SDIO version 1.10 card which has SMPC set to 1 shall maintain backward compatibility when EMPC is set to 0. A SDIO version 1.0 host may not be aware of EMPC, which will remain 0 (its default state).

In the case where EMPC is set to 0, the card total current shall not exceed 200mA. Functions that exceed 200mA shall not set IORx to 1 and TPLFE\_OP\_MAX\_PWR shall be set to 0. If a multi-function card's total power exceeds 200mA the card shall not set all IORx to 1, even if all IOEx are set to 1. Some of the functions' IORx can be set to 1 as long as the card's total current is less than 200mA. If the host tries to enable a function (IOEx =1) that will cause the card's total current to exceed 200mA, the card shall disable (IORx=0) one or more functions to keep the card's total current less than 200mA. Which functions are enabled depends on the design of the card vendor.

In the case where EMPC is set to 1, the card current can exceed 200mA, up to a maximum of 500mA. Card should be designed, where possible, to not require the maximum current, thus functioning in as many hosts as possible with sufficient power.

**SDIO Simplified Specification Version 2.00****11.2.2 Power Selection**

Power Selection defines two power modes for a function: Lower Current Mode and Higher Current Mode. A card implementing Power Selection gives the host the choice between these two power modes. These modes can be used for functions, such as a radio, which can operate in full performance (Higher Current Mode) or reduced performance (Lower Current Mode). A card's support of Power Selection is indicated with the SPS bit (Support Power Selection) in the FBR. The host enables Power Selection with the EPS bit (Enable Power Selection) in the FBR.

**11.2.3 High-Power Tuples**

Six new tuples are defined in version 1.10 for each function tuple.

- Average power required when Master Power Control is not enabled (TPLFE\_SP\_AVG\_PWR\_3.3V)
- Peak power required when Master Power Control is not enabled (TPLFE\_SP\_MAX\_PWR\_3.3V)
- Average power required in Higher Current Mode (TPLFE\_HP\_AVG\_PWR\_3.3V)
- Peak power required in Higher Current Mode (TPLFE\_HP\_MAX\_PWR\_3.3V)
- Average power required in Lower Current Mode (TPLFE\_LP\_AVG\_PWR\_3.3V)
- Peak power required in Lower Current Mode (TPLFE\_LP\_MAX\_PWR\_3.3V)

These values are 16 bits long with a 1mA/step resolution. This allows a value of 0 to 65,535 mA to be used. Current varies depending on the voltage. These tuples are defined in 3.1-3.5V or 2.7-3.6V range. When a new voltage range is added in future specification, another six tuples will be added.

Table 11-1 shows which tuples a host shall refer to depending on the host version and the settings of EMPC and EPS bits.

Host	EMPC	EPS	Reference TPLs	Comments
Ver 1.0	Don't care	Don't care	TPLFE_OP_MIN_PWR TPLFE_OP_AVG_PWR TFLFE_OP_MAX_PWR	
Ver 1.1	0	Don't care	TPLFE_SP_AVG_PWR_3.3V TPLFE_SP_MAX_PWR_3.3V	Same as TPLFE_OP_AVG_PWR Same as TFLFE_OP_MAX_PWR
Ver 1.1	1	0	TPLFE_HP_AVG_PWR_3.3V TPLFE_HP_MAX_PWR_3.3V	Non zero value is required when SMPC=1
Ver 1.1	1	1	TPLFE_LP_AVG_PWR_3.3V TPLFE_LP_MAX_PWR_3.3V	Non zero value is required when SPS=1

**Table 11-1 Reference Tuples by Master Power Control and Power Select**

A version 1.10 SDIO card shall implement the six new tuples. A card which has SMPC set to 1, shall set a non-zero value to TPLFE\_HP\_AVG\_PWR\_3.3V and TPLFE\_HP\_MAX\_PWR\_3.3V. A card which has SPS set to 1, shall set a non-zero value to TPLFE\_LP\_AVG\_PWR\_3.3V and TPLFE\_LP\_MAX\_PWR\_3.3V. TPLFE\_SP\_AVG\_PWR\_3.3V and TPLFE\_SP\_MAX\_PWR\_3.3V should be set to the same value as TFLFE\_OP\_AVG\_PWR and TFLFE\_OP\_MAX\_PWR respectively.

**11.3 Power Control Support for the SDIO Host****11.3.1 Version 1.10 Host**

The following are requirements for a version 1.10 host:

- The host shall recognize new Power Control registers and tuples as defined in SDIO Specification Version 1.10.
  - Power Control bits (SMPC, EMPC) in the CCCR
  - Power Selection bits (SPS, EPS) in the FBR
  - High-Power Tuples
- The host shall know its own power supply ability

**SDIO Simplified Specification Version 2.00**

---

- The host shall have the ability to manage power by calculating maximum current shown in the tuples and control EMPC, EPS and IOEx not to exceed total current that the host can supply. If the host does not have enough power to use the card, the host shall not enable the card.

**11.3.2 Power Control Operation**

A host reads the SMPC to see if the card supports Power Control additions. If so, the host checks SPS to see the card's support of Power Selection. If SMPC is set to 1, a version 1.10 host should set EMPC to 1. Power Selection provides the host with the choice of two power modes for the function. A host that can supply enough power to the card does not need to use Power Selection.

If SMPC is set to 1 and SPS is set to 1, the host can utilize Power Selection by setting EMPC to 1. If EPS is set to 0 (default mode of the card), Higher Current Mode is selected. If EPS is set to 1, Lower Current Mode is selected. For example, a wireless function may offer a power mode with reduced transmission range and corresponding reduced current requirements. As the host knows how much current it can supply to the card, it reads the appropriate tuples and decides whether or not to enable each function (with IOEX), and if so in what Current Mode. The host shall verify that the total current required by the card shall not exceed the current of host can supply. A version 1.10 host should read new tuples as shown in Table 11-1.

## 12. High-Speed Mode

High-Speed mode increases the bus clock rate to 50MHz and the SD bus throughput from 12.5MB/sec to 25MB/sec. For information on High-Speed mode for SD memory cards see Part 1 *Physical Layer Specification Version 2.00*, sections 4.3.10, 4.3.11 and 6.8. SDIO and combo cards may also support High-Speed mode.

### 12.1 SDIO High-Speed Mode

SDIO version 1.20 cards indicate their support for High-Speed mode with the SHS (Support High-Speed) bit in the CCCR (See section 6.9). Hosts switch between default and High-Speed mode with the EHS (Enable High-Speed) bit in the CCCR by CMD52. Following a command to set or clear EHS, cards shall switch speed mode within 8 clocks after the end bit of the corresponding response.

When switching from default to High-Speed mode the host can try to set EHS without first checking SHS. The host issues CMD52 in RAW mode, setting EHS to one, and after getting the response of CMD52 the host checks SHS and EHS. If SHS=0 or EHS=0, the command will be ignored and the card is still in default mode. If SHS=1 and EHS=1, the card is in High-Speed Mode.

### 12.2 Switching Bus Speed Mode in a Combo Card

A combo card that supports High-Speed shall support it for both memory and IO. Two bus speed switch commands are defined; SD memory command (CMD6) and SDIO command (EHS in CCCR is changed using CMD52).

*A part of this section is not included in the Simplified Specification.*

When one bus speed switch commands is executed successfully, the card switches the card bus speed mode. If two bus speed switch commands are executed in turn (to the same bus speed mode), only the first successful command is effective to switch bus speed mode.

The host needs to check success of executing bus speed switch command and then the host can switch the host bus speed mode to the same one.

Success of switching bus speed mode is determined by checking receipt of a good response and the result of switching bus speed mode is the same as the switch requested.

The status of current bus speed mode is read by bus speed switch commands. For example, when bus speed mode is switched by CMD6, the result can be read from EHS. If switching by RAW mode of CMD52 has failed, there are two kinds of responses. One is no response with illegal command error. The other is that CMD52 is accepted and the status of RAW mode indicates EHS is not changed.

A reset of either the memory or IO portion of a combo card will also reset both portions to default speed mode. Within 8 clocks after response of a reset by CMD52 (write to RES in CCCR) or CMD0 the card shall change the speed mode to default speed mode.

Note that when changing the bus speed the host bus driver should treat a bus speed change request from any driver as an atomic operation. The host should mask interrupts and not issue any command to the card until the bus speed change is complete.

If a combo card supports the Lock/unlock function, a locked card cannot change bus speed mode. A locked card indicates an illegal command error to a bus speed switch command. The host needs to unlock the card by CMD42 before changing bus speed. It also implies that a host should not change bus speed mode during initialization before managing a locked card.



## 13. SDIO Physical Properties

This chapter is not included in the Simplified Specification.

### 13.1 SDIO Form Factors

The SDIO definition encompasses different form factors:

- Full-Size SDIO — compatible with host sockets designed for SD memory cards
- miniSDIO — compatible with host sockets designed for miniSD memory cards

### 13.2 Full-Size SDIO

The SDIO card is compatible with host sockets designed for SD memory cards. In addition, the SDIO cards can be extended to allow for external connectors, antennas etc. With the exception of the write protect switch, all SDIO cards shall meet the mechanical specifications described in the SD Physical Specification for that portion of the card that is not extended. The WP switch is not supported by hosts for SDIO only cards.

The rest of this section is not included in the Simplified Specification.

### 13.3 miniSDIO

The miniSDIO card is compatible with host sockets designed for miniSD memory cards. In addition, the miniSDIO cards can be extended to allow for external connectors, antennas etc. All miniSDIO cards shall meet the mechanical specifications described in *miniSD Card Addendum Version 2.00*, Part 1 Physical Layer Specification Version 2.00 for that portion of the card that is not extended.

When a miniSDIO card is inserted into a miniSD to SD memory card adaptor, and plugged-into an SDIO host slot, it shall appear to the host as an SDIO card.

The rest of this section is not included in the Simplified Specification.

## 14. SDIO Power

### 14.1 SDIO Card Initialization Voltages

SDIO Version 2.00 eliminate *the voltage range 2.0-2.7V for basic communication because the SD Physical Specification Version 2.00 eliminates it*. SDIO cards follow the same voltage and current requirements as SD memory cards. This means that an SDIO or combo card shall be used at an operating voltage range of 2.7 to 3.6V. *The hosts shall not supply the voltage range 2.0-2.7V for basic communication to the SDIO Version 2.00 cards.*

### 14.2 SDIO Power Consumption

The SDIO cards are intended to operate in mobile devices that have limited power sources available. Because the host's battery life may be significantly reduced if the SDIO card draws excessive power, a primary goal of SDIO designers should be low power. By reducing power consumption to a minimum, Host battery life and consumer satisfaction will be enhanced. The following power data represents the maximum that a SDIO card may draw. It is important for designers to note that a low power host may reject any SDIO card that identifies

## **SDIO Simplified Specification Version 2.00**

---

itself as drawing more power than the host is willing to supply, thus lower power cards may have a competitive advantage in the market.

The rest of this chapter is not included in the Simplified Specification.

## 15. Inrush Current Limiting

This chapter is not included in the Simplified Specification.

## 16. CIS Formats

### 16.1 CIS Reference Document

The CIS used by SDIO is based directly upon the metaformat specification used by PCMCIA and Compact Flash. The user of this specification is directed to:

**PC Card Standard**  
**Volume 4**  
**Metaformat Specification**

Published by:

**PCMCIA (Personal Computer Memory Card International Association)**  
**2635 North First Street, Suite 209**  
 San Jose, CA 95134 USA  
**+1-408-433-2273**  
**+1-408-433-9558 (Fax)**

### 16.2 Basic Tuple Format and Tuple Chain Structure

The Card Information Structure is one or more chains (or linked lists) of data blocks or tuples. The basic format of tuples is shown in Table 16-1.

Byte	7	6	5	4	3	2	1	0
0x00	TPL_CODE Tuple code: CISTPL_ xxx							
0x01	TPL_LINK Offset to next tuple in chain. This is the number of bytes in the tuple body. (n)							
0x02.. (n+2)	The tuple body. (n bytes)							

**Table 16-1 Basic Tuple Format**

Byte 0 of each tuple contains a tuple code. A tuple code of 0xFF is a special mark indicating that there are no more tuples in the chain. There are 2 tuples with only a tuple code, the CISTPL\_NULL and the CISTPL\_END (see Table 16-2). These tuples do not have any additional bytes. For all other tuples, byte 1 of each tuple contains a link to the next tuple in the chain. If the link field is 0, then the tuple body is empty. If the link field contains 0xFF, then this tuple is the last tuple in its chain. There are two ways of marking the end of a tuple chain for SDIO cards: a tuple code of 0xFF, or a tuple link of 0xFF. The use of an FFH link value is allowed in SDIO cards, but it is recommended to use the End of Chain tuple. System software shall use the link field to validate tuples. No SDIO card tuple can be longer than 257 bytes: 1 byte *TPL\_CODE* + 1 byte *TPL\_LINK* + FFH byte tuple body (and this 257 byte tuple ends the chain). Some tuples provide a termination or stop byte that marks the end of the tuple. In this case, the tuple can effectively be shorter than the value implied by its link field. However, software shall not scan beyond the implied length of the tuple, even if a termination byte has not been seen.

### 16.3 Byte Order Within Tuples

Within tuples, all multi-byte numeric data shall be recorded in little-endian order. That is, the least-significant byte of a data item shall be stored in the first byte of a given field. Within tuples, all character data shall be stored in the natural order. That is, the first character of the field shall be stored in the first byte of the field. Fixed-length character fields shall be padded with null characters, if necessary.

## 16.4 Tuple Version

With the introduction of SDIO Specification Version 1.10, a different format for the tuple information is possible based on the changes made by each specification revision. These changes could be added fields in a tuple or entirely new tuples. In order to maintain backward compatibility, new data fields are added *after* existing fields in order to maximize backward compatibility. It is the responsibility of the host program that is scanning the tuple chain (sometimes called “walking the tuples”) to first determine the SDIO specification version that the card was designed to. The program shall be designed to anticipate that SDIO cards will be encountered that are built to a later version of the specification. This requires the program to ignore the additional data existing in SDIO cards built to a later specification. Specifically, the program shall first read the SDIO specification version that the card was designed to meet from the SDIOx field in the CCCR area. If the version is less than or equal to the version of the tuple scan program, then the program shall know and properly decode all tuple information. If the card version is greater than the scan program’s version, the scan program may need to ignore additional information fields or tuples. The unknown tuples can be ignored by simply skipping those tuples with unrecognized codes. Skipping is accomplished by using the TPL\_LINK field (always the second byte) to jump over the unknown tuple. In a similar manner, the additional data fields in tuples should be ignored using the link field. For example, if a scan program is expecting 0x15 bytes of data and the TPL\_LINK field indicates a size of 0x19 bytes, the scan program should ignore and skip over the last 4 bytes of data.

## 16.5 SDIO Card Metaformat

Unlike the PCMCIA card, the SDIO card has multiple CIS areas. There is a common CIS for the entire card and a CIS assigned to each function. Because of the multiple CIS areas, the SDIO card does not need to support the *CISTPL\_LONGLINK\_MFC* tuple or the *CISTPL\_LINKTARGET* as described in section 2.3.6 of the PCMCIA spec. Table 16-2 lists the tuple codes supported by SDIO cards. The type field indicates if a tuple is Optional (O), Mandatory (M), Recommended (R), or not applicable (n/a) for the common (function 0) tuple and for each function (1-7) supported by the card. For more details on each tuple, see the PCMCIA metaformat specification section referenced.

Code	Name	Description	PCMCIA Reference	Type Common	Type Function
0x00	CISTPL_NULL	Null tuple	3.1.9	O	O
0x10	CISTPL_CHECKSUM	Checksum control	3.1.1	R	R
0x15	CISTPL_VERS_1	Level 1 version/product-information	3.2.10	O	O
0x16	CISTPL_ALTSTR	The Alternate Language String Tuple	3.2.1	O	O
0x20	CISTPL_MANFID	Manufacturer Identification String Tuple	3.2.9	M	O
0x21	CISTPL_FUNCID	Function Identification Tuple	3.2.7	n/a	M
0x22	CISTPL_FUNCE	Function Extensions	3.2.6	n/a	M
0x80-0x8F		Vendor Unique Tuples	None	O	O
0x91	CISTPL_SDIO_STD	Additional information for functions built to support application specifications for standard SDIO functions.	6.1.2	n/a	M <sup>1</sup> :Standard SDIO Function O <sup>1</sup> :non-Standard SDIO Function
0x92	CISTPL_SDIO_EXT	Reserved for future use with SDIO devices.	6.1.3	n/a	n/a
0xFF	CISTPL_END	The End-of-chain Tuple	3.1.2	M	M

**Table 16-2 Tuples Supported by SDIO Cards**

**SDIO Simplified Specification Version 2.00**

Note 1: the use of CISTPL\_SDIO\_STD is mandatory for all functions that claim to support a SDIO standard interface specification (see 1.3). If the function does not support a standard SDIO interface, this tuple should be used with a value of 0.

## 16.6 CISTPL\_MANFID: Manufacturer Identification String Tuple

The manufacturer identification tuple contains information about the manufacturer of a SDIO Card. Two types of information are provided: the SDIO Card's manufacturer and a manufacturer card number. This tuple shall be present in the card common CIS.

This should also be present in each function's CIS. This allows a function to override the card common manufacturer information so the driver can take advantage of unique features.

Byte	7	6	5	4	3	2	1	0
0x00	TPL_CODE CISTPL_MANFID (20H)							
0x01	TPL_LINK Link to next tuple (at least 4)							
0x02-0x03	TPLMID_MANF SDIO Card manufacturer code							
0x04-0x05	TPLMID_CARD manufacturer information (Part Number and/or Revision)							

**Table 16-3 CISTPL\_MANFID: Manufacturer Identification Tuple**

The *TPLMID\_MANF* field identifies the SDIO Card's manufacturer. New codes are assigned by both PCMCIA and JEIDA. The first 256 identifiers (0x0000 through 0x00FF) are reserved for manufacturers who have JEDEC IDs assigned by JEDEC Publication 106. Manufacturers with JEDEC IDs may use their eight-bit JEDEC manufacturer code as the least significant eight bits of their SDIO Card manufacturer code. In this case, the most significant eight bits shall be zero (0). For example, if a JEDEC manufacturer code is 89H, their SDIO Card manufacturer code is 0x0089. If a SDIO card manufacturer does not currently have a *TPLMID\_MANF* assigned, one can be obtained at little or no cost from the PCMCIA. The *TPLMID\_CARD* field is reserved for the use of the SDIO Card's manufacturer. It is anticipated that the field will be used to store card identifier and revision information.

## 16.7 SDIO Specific Extensions

SDIO cards use two to four tuples to provide additional information about the card (common) and each function. The first is the Function ID tuple. The changes for SDIO are detailed in the next sections.

### 16.7.1 CISTPL\_FUNCID: Function Identification Tuple

To identify an SDIO card, the CISTPL\_FUNCID tuple shall exist in all CIS areas. This means there shall be a CISTPL\_FUNCID in the common CIS space chain and one in each function's CIS space chain. The format of this tuple is shown in

Byte	7	6	5	4	3	2	1	0
0x00	TPL_CODE CISTPL_FUNCID (0x21)							
0x01	TPL_LINK Link to next tuple (0x02)							
0x02	TPLFID_FUNCTION Card function code (0x0C)							
0x03	TPLFID_SYSINIT System initialization bit mask. (Not used, set to 0x00)							

**Table 16-4 CISTPL\_FUNCID Tuple**

The function identification tuple contains information about the functionality provided by an SDIO Card. Information is also provided to enable system utilities to decide if the SDIO Card should be configured during system initialization. Since additional function specific information is available, one or more function extension tuples follow this tuple. The *TPLFID\_FUNCTION* field contains an identifier assigned by PCMCIA (0x0C) to identify the SDIO device class.

**SDIO Simplified Specification Version 2.00****16.7.2 CISTPL\_FUNCCE: Function Extension Tuple**

The CISTPL\_FUNCCE tuple provides standard information about the card (common) and each individual function. There shall be one CISTPL\_FUNCCE in each function's CIS immediately following the CISTPL\_FUNCID tuple. The format of the CISTPL\_FUNCCE is shown in Table 16-5.

Byte	7	6	5	4	3	2	1	0
0x00	TPL_CODE CISTPL_FUNCCE (0x22)							
0x01	TPL_LINK Link to next tuple (see following sections)							
0x02	TPLFE_TYPE Type of extended data (see following sections)							
0x03-n	TPLFE_DATA Function information (see following sections)							

**Table 16-5 CISTPL\_FUNCCE Tuple General Structure**

There are two versions of the CISTPL\_FUNCCE tuple, one for the common CIS (function 0) and a version used by the individual function's CIS (1-7). Both types are described below.

**16.7.3 CISTPL\_FUNCCE Tuple for Function 0 (common)**

This version of the CISTPL\_FUNCCE tuple gives the host common information about the card. There shall be only one of these tuples, located in the CIS for function 0 following the CISTPL\_FUNCID. The format of this tuple is shown in Table 16-6.

Byte	7	6	5	4	3	2	1	0
0x00	TPL_CODE CISTPL_FUNCCE (0x22)							
0x01	TPL_LINK Link to next tuple (0x04)							
0x02	TPLFE_TYPE Type of extended data (0x00)							
0x03-0x04	TPLFE_FN0_BLK_SIZE							
0x05	TPLFE_MAX_TRAN_SPEED							

**Table 16-6 TPLFID\_FUNCTION Tuple for Function 0 (common)**

The fields in this tuple have the following definition:

Field	Description
TPLFE_FN0_BLK_SIZE	This is both the maximum block size and byte count that function 0 can support. A value of zero is not valid and shall not be used.
TPLFE_MAX_TRAN_SPEED	This byte indicates the maximum transfer rate per one data line during data transfer. This value applies to all functions in the SDIO card. This value shall be 25 Mb/Sec (0x32) for all Full-Speed SDIO cards. The minimum value for Low-Speed SDIO cards shall be 400 Kb/Sec (0x48). The format is identical to the TRAN_SPEED value stored in the CSD of SD memory cards. The maximum data transfer rate is coded according to the following method: <b>Bits 2:0 contain the transfer rate unit coded as follows:</b> 0=100kbit/s, 1=1Mbit/s, 2=10Mbit/s, 3=100Mbit/s, 4... 7=reserved  <b>Bits 6:3 contain the time value codes as follows:</b> 0=reserved, 1=1.0, 2=1.2, 3=1.3, 4=1.5, 5=2.0, 6=2.5, 7=3.0, 8=3.5, 9=4.0, A=4.5, B=5.0, C=5.5, D=6.0, E=7.0, F=8.0  <b>Bit 7 is reserved and shall be zero</b>  A Combo Card shall support 25MHz clock (0x32)

**Table 16-7 TPLFID\_FUNCTION Field Descriptions for Function 0 (common)**

**SDIO Simplified Specification Version 2.00****16.7.4 CISTPL\_FUNCCE Tuple for Function 1-7**

This version of the CISTPL\_FUNCCE tuple gives the host common information about each individual function on a per-function basis. There shall be one of these tuples, located in the CIS for each function following the CISTPL\_FUNCID. The format of this tuple is shown in Table 16-8.

Byte	7	6	5	4	3	2	1	0
0x00	TPL_CODE CISTPL_FUNCCE (0x22)							
0x01	TPL_LINK Link to next tuple (0x2A)							
0x02	TPLFE_TYPE Type of extended data (0x01)							
0x03	TPLFE_FUNCTION_INFO							
0x04	TPLFE_STD_IO_REV							
0x05-0x08	TPLFE_CARD_PSN							
0x09-0x0C	TPLFE_CSA_SIZE							
0x0D	TPLFE_CSA_PROPERTY							
0x0E-0x0F	TPLFE_MAX_BLK_SIZE							
0x10-0x13	TPLFE_OCR							
0x14	TPLFE_OP_MIN_PWR							
0x15	TPLFE_OP_AVG_PWR							
0x16	TPLFE_OP_MAX_PWR							
0x17	TPLFE_SB_MIN_PWR							
0x18	TPLFE_SB_AVG_PWR							
0x19	TPLFE_SB_MAX_PWR							
0x1A-0x1B	TPLFE_MIN_BW							
0x1C-0x1D	TPLFE_OPT_BW							
0x1E-0x1F	TPLFE_ENABLE_TIMEOUT_VAL							
0x20-0x21	TPLFE_SP_AVG_PWR_3.3V							
0x22-0x23	TPLFE_SP_MAX_PWR_3.3V							
0x24-0x25	TPLFE_HP_AVG_PWR_3.3V							
0x26-0x27	TPLFE_HP_MAX_PWR_3.3V							
0x28-0x29	TPLFE_LP_AVG_PWR_3.3V							
0x2A-0x2B	TPLFE_LP_MAX_PWR_3.3V							

**Table 16-8 TPLFE\_FUNCTION Tuple for Function 1-7**

The fields in this tuple have the following definition:

Field	Description
TPLFE_FUNCTION_INFO	Bit significant information about the Function The bits are defined in Table 16-10
TPLFE_STD_IO_REV	This 8-bit value contains the version level of the Application Specification for Standard SDIO Functions that this function supports. The format is x.y where x is the major version (4-bits) and y is the minor version level. For example if the version is 2.4 the value would be 0x24. If this function does not support an SDIO standard function, the value shall be 0x00.
TPLFE_CARD_PSN	The Product Serial Number is a 32 bit unsigned binary integer. Support of a serial number is optional, if there is no serial number, this field shall be 0x00000000 While a unique serial number is not required for all devices, it is strongly recommended that SDIO card vendors place a unique serial number in this field to assist the operating systems in differentiating multiple cards of the same type. Also note that some Application Specifications for Standard SDIO Functions require a unique serial number in this field. The individual Application Specification will indicate if support of this field is mandatory.



## SDIO Simplified Specification Version 2.00

TPLFE_CSA_SIZE	Size of the CSA space available for this function in bytes
TPLFE_CSA_PROPERTY	This byte contains flags identifying properties of this function's CSA. The bits are defined in Table 16-11
TPLFE_MAX_BLK_SIZE	This is both the maximum block size and byte count that this function can support. A value of zero is not valid and shall not be used.
TPLFE_OCR	This is the OCR value for this function. The format is identical to the 32-bit OCR format used by SD memory devices. For more details, see section 5.1 of the SD Physical Specification.
TPLFE_OP_MIN_PWR	This is the minimum current, in mA, required by this function when operating. This value is valid for all voltages supported by this function. If the required current exceeds 200mA, this value shall be zero.
TPLFE_OP_AVG_PWR	This is the average current, in mA, required by this function when operating. This value is valid for all voltages supported by this function. If the required current exceeds 200mA, this value shall be zero
TPLFE_OP_MAX_PWR	This is the maximum (peak) current, in mA, required by this function when operating. This value is valid for all voltages supported by this function. If the required current exceeds 200mA, this value shall be zero
TPLFE_SB_MIN_PWR	This is the minimum current, in mA, required by this function when in the standby condition. If this function does not support standby, this value shall be 0x00. The method to place this function in the standby state and the capabilities it has while in standby are vendor defined. This value is valid for all voltages supported by this function. Note that this value is valid only for standard power SDIO cards or high-power cards when EMPC is 0. With an 8-bit field, the range is from 0 to 254 mA. A value of 255 (0xFF) is used to indicate a value of 255mA or greater.
TPLFE_SB_AVG_PWR	This is the average current, in mA, required by this function when in the standby condition. If this function does not support standby, this value shall be 0x00. The method to place this function in the standby state and the capabilities it has while in standby are vendor defined. This value is valid for all voltages supported by this function. Note that this value is valid only for standard power SDIO devices cards or high-power cards when EMPC is 0. With an 8-bit field, the range is from 0 to 254 mA. A value of 255 (0xFF) is used to indicate a value of 255mA or greater.
TPLFE_SB_MAX_PWR	This is the maximum current, in mA, required by this function when in the standby condition. If this function does not support standby, this value shall be 0x00. The method to place this function in the standby state and the capabilities it has while in standby are vendor defined. This value is valid for all voltages supported by this function. Note that this value is valid only for standard power SDIO devices cards or high-power cards when EMPC is 0. With an 8-bit field, the range is from 0 to 254 mA. A value of 255 (0xFF) is used to indicate a value of 255mA or greater.
TPLFE_MIN_BW	This is the minimum data transfer bandwidth, in KB/sec, needed by this function to successfully operate. If this function has no minimum necessary bandwidth, these bytes shall be 0x0000.
TPLFE_OPT_BW	This is the data transfer bandwidth, in KB/sec, needed by this function to function at an optimum level. If this function has no optimum bandwidth, these bytes shall be 0x0000.
TPLFE_ENABLE TIMEOUT_VAL	(Added in SDIO Rev 1.1) This 16-bit value indicates the function's required time-out value for coming ready after being enabled. This per-function value indicates the time a host should wait from asserting IOEx until expecting the card to indicate ready by asserting IORx. Different SDIO functions take different amounts of time to become ready after being enabled due to different internal initialization requirements. The required time-out limit is in 10mS steps, allowing a range of 0-655.35

**SDIO Simplified Specification Version 2.00**

	seconds. If the cards required no time-out, this field shall be set to 0x0000.
TPLFE_SP_AVG_PWR_3.3V	This value is the same as that of TPLFE_OP_AVG_PWR.
TPLFE_SP_MAX_PWR_3.3V	This value is the same as that of TPLFE_OP_MAX_PWR.
TPLFE_HP_AVG_PWR_3.3V	This 16-bit value indicates the average current, in mA, required by this function when operating in the Higher Current Mode (EMPC=1 & EPS=0). This value indicates a current range from 1 to 65535 mA.
TPLFE_HP_MAX_PWR_3.3V	This 16-bit value indicates the peak current, in mA, required by this function when operating in the Higher Current Mode. This value indicates a current range from 1 to 65535 mA.
TPLFE_LP_AVG_PWR_3.3V	This 16-bit value indicates the average current, in mA, required by this function when operating in the Lower Current Mode (EMPC=1 & EPS=1). This value indicates a current range from 1 to 65535 mA.
TPLFE_LP_MAX_PWR_3.3V	This 16-bit value indicated the maximum (peak) current, in mA, required by this function when operating in the Lower current mode (EMPC=1 & EPS=1). This value indicates a current range from 1 to 65535 mA.

**Table 16-9 TPLFID\_FUNCTION Field Descriptions for Functions 1-7**

Bit	7	6	5	4	3	2	1	0
Name	RFU	RFU	RFU	RFU	RFU	RFU	RFU	FN_WUS

**Table 16-10 TPLFE\_FUNCTION\_INFO Definition**

The FN\_WUS (Wake Up Support) bit signals the function's support of wake-up when the function is placed into a low power state and the SDCLK is stopped. The intent is to allow a SDIO card to be placed into a low power condition and still signal the host of a wake-up event. If this bit is set to 1, then this function may be placed into a low power state using some function standard or vendor defined method and the SDCLK can be stopped with the power remaining applied to the card. Irrespective of the state of this bit, the host may stop the SDCLK as allowed by the SD Physical Specification.

Bit	7	6	5	4	3	2	1	0
Name	RFU	RFU	RFU	RFU	RFU	RFU	CSA_NF	CSA_WP

**Table 16-11 TPLFE\_CSA\_PROPERTY Definition**

The CSA\_WP bit is used to write protect the CSA for this function, or identifies it as read-only. If this bit is set to 1, then the CSA of this function is either write protected or read-only. If this bit is clear, then the host may write the CSA. Setting of this bit for R/W devices is handled in a vendor-defined method.

The CSA\_NF bit is used to indicate to the host that the CSA area should not be reformatted. If the bit is set to 1, the host may not format the CSA file structure. If this bit is cleared to 0, then the host may reformat the file system of the CSA.

**SDIO Simplified Specification Version 2.00****16.7.5 CISTPL\_SDIO\_STD: Function is a Standard SDIO Function**

This tuple code (0x91) has been reserved for use by SDIO devices that conform to the application specifications for standard SDIO functions, as defined in those separate specifications. The exact format for this tuple can be found in those specifications. The basic format only is provided here and the reader is directed to the appropriate Application Specification for Standard SDIO Functions for more complete details:

Byte	7	6	5	4	3	2	1	0
0x00	TPL_CODE CISTPL_SDIO_STD (91h)							
0x01	TPL_LINK Link to next tuple ( $2 \leq n \leq 255$ ) n is the number of bytes in the tuple body							
0x02	TPLSDIO_STD_ID							
0x03	TPLSDIO_STD_TYPE							
0x04 ... (n+1)	TPLSDIO_STD_DATA If n = 2, TPLSDIO_STD_DATA does not exist.							

**Table 16-12 CISTPL\_SDIO\_STD: Tuple Reserved for SDIO Cards**

The fields in this tuple have the following definition:

Field	Description
TPLSDIO_STD_ID	This 8-bit code identifies the Standard SDIO Function type for which this tuple supplies additional information. The available codes can be found in the I/O device interface code entry of the FBR (see 6.10)
TPLSDIO_STD_TYPE	This 8-bit value identifies the format and type of data contained within the body of this tuple. If this value is 0x00, then only 1 standard data structure has been defined for this Standard SDIO Function. If this value is non-zero, then this byte identifies which tuple data format is being used for the data. This code is defined in the Application Specification for Standard SDIO Functions.
TPLSDIO_STD_DATA	The data component of this tuple (n-2 bytes). The format of this data structure is defined in the Application Specification for Standard SDIO Functions.

**16.7.6 CISTPL\_SDIO\_EXT: Tuple Reserved for SDIO Cards**

This tuple code (0x92) has been reserved for future use by SDIO cards. The actual format of the data has not been established at this time. The basic format of this tuple is:

Byte	7	6	5	4	3	2	1	0
0x00	TPL_CODE CISTPL_SDIO_EXT (92h)							
0x01	TPL_LINK Link to next tuple ( $0 \leq n \leq 255$ ) n is the number of bytes in the tuple body							
0x02 ... (n+1)	TPLSDIO_EXT_DATA The data component of this tuple (n bytes) If n=0, TPLSDIO_EXT_DATA does not exist.							

**Table 16-13 CISTPL\_SDIO\_EXT: Tuple Reserved for SDIO Cards**

# Appendix A

## (Normative)

### A.1 SD and SPI Command List

Table A-14 and Table A-15 show the commands that are supported by SD memory and SDIO devices in both SPI and SD modes. If a command is not identified as either mandatory or optional, then it is not supported by that device.

Supported Commands	Abbreviation	SDMEM System	SDIO System	Comments
CMD0	GO_IDLE_STATE	Mandatory	Mandatory	Used to change from SD to SPI mode
CMD2	ALL_SEND_CID	Mandatory		CID not supported by SDIO
CMD3	SEND_RELATIVE_ADDR	Mandatory	Mandatory	
CMD4	SET_DSR	Optional		DSR not supported by SDIO
CMD5	IO_SEND_OP_COND		Mandatory	
CMD6	SWITCH_FUNC	Mandatory <sup>1</sup>	Mandatory <sup>1</sup>	Added in Part 1 v1.10
CMD7	SELECT/DESELECT_CARD	Mandatory	Mandatory	
CMD9	SEND_CSD	Mandatory		CSD not supported by SDIO
CMD10	SEND_CID	Mandatory		CID not supported by SDIO
CMD12	STOP_TRANSMISSION	Mandatory		
CMD13	SEND_STATUS	Mandatory		Card Status includes only SDMEM information
CMD15	GO_INACTIVE_STATE	Mandatory	Mandatory	
CMD16	SET_BLOCKLEN	Mandatory		
CMD17	READ_SINGLE_BLOCK	Mandatory		
CMD18	READ_MULTIPLE_BLOCK	Mandatory		
CMD24	WRITE_BLOCK	Mandatory		
CMD25	WRITE_MULTIPLE_BLOCK	Mandatory		
CMD27	PROGRAM_CSD	Mandatory		CSD not supported by SDIO
CMD28	SET_WRITE_PROT	Optional		
CMD29	CLR_WRITE_PROT	Optional		
CMD30	SEND_WRITE_PROT	Optional		
CMD32	ERASE_WR_BLK_START	Mandatory		
CMD33	ERASE_WR_BLK_END	Mandatory		
CMD38	ERASE	Mandatory		
CMD42	LOCK_UNLOCK	Optional		
CMD52	IO_RW_DIRECT		Mandatory	
CMD53	IO_RW_EXTENDED		Mandatory	Block mode is optional
CMD55	APP_CMD	Mandatory		
CMD56	GEN_CMD	Mandatory		
ACMD6	SET_BUS_WIDTH	Mandatory		
ACMD13	SD_STATUS	Mandatory		
ACMD22	SEND_NUM_WR_BLOCKS	Mandatory		
ACMD23	SET_WR_BLK_ERASE_COUNT	Mandatory		
ACMD41	SD_APP_OP_COND	Mandatory		
ACMD42	SET_CLR_CARD_DETECT	Mandatory		
ACMD51	SEND_SCR	Mandatory		SCR not supported by SDIO

**Table A-14 SD Mode Command List**

<sup>1</sup> For Part 1 v1.10 or higher Memory or Combo Cards

**SDIO Simplified Specification Version 2.00**

Supported Commands	Abbreviation	SDMEM System	SDIO System	Comments
CMD0	GO_IDLE_STATE	Mandatory	Mandatory	Used to change from SD to SPI mode
CMD1	SEND_OP_COND	Mandatory		
CMD5	IO_SEND_OP_COND		Mandatory	
CMD6	SWITCH_FUNC	Mandatory <sup>1</sup>	Mandatory <sup>1</sup>	Added in Part 1 v1.10
CMD9	SEND_CSD	Mandatory		CSD not supported by SDIO
CMD10	SEND_CID	Mandatory		CID not supported by SDIO
CMD12	STOP_TRANSMISSION	Mandatory		
CMD13	SEND_STATUS	Mandatory		Card Status includes only SDMEM information.
CMD16	SET_BLOCKLEN	Mandatory		
CMD17	READ_SINGLE_BLOCK	Mandatory		
CMD18	READ_MULTIPLE_BLOCK	Mandatory		
CMD24	WRITE_BLOCK	Mandatory		
CMD25	WRITE_MULTIPLE_BLOCK	Mandatory		
CMD27	PROGRAM_CSD	Mandatory		CSD not supported by SDIO.
CMD28	SET_WRITE_PROT	Optional		
CMD29	CLR_WRITE_PROT	Optional		
CMD30	SEND_WRITE_PROT	Optional		
CMD32	ERASE_WR_BLK_START	Mandatory		
CMD33	ERASE_WR_BLK_END	Mandatory		
CMD38	ERASE	Mandatory		
CMD42	LOCK_UNLOCK	Optional		
CMD52	IO_RW_DIRECT		Mandatory	
CMD53	IO_RW_EXTENDED		Mandatory	Block mode is optional
CMD55	APP_CMD	Mandatory		
CMD56	GEN_CMD	Mandatory		
CMD58	READ_OCR	Mandatory		
CMD59	CRC_ON_OFF	Mandatory	Mandatory	
ACMD13	SD_STATUS	Mandatory		
ACMD22	SEND_NUM_WR_BLOCKS	Mandatory		
ACMD23	SET_WR_BLK_ERASE_COUNT	Mandatory		
ACMD41	SD_APP_OP_COND	Mandatory		
ACMD42	SET_CLR_CARD_DETECT	Mandatory		
ACMD51	SEND_SCR	Mandatory		SCR includes only SD-MEM information.

**Table A-15 SPI Mode Command List**<sup>1</sup> For Part 1 v1.10 or higher Memory or Combo Cards

# **Appendix B**

## **(Normative)**

### **B.1 Normative References**

The following documents are referenced by this specification.

This specification can apply to any released versions of below SD Specifications after Version 2.00.

- 1) SD Specifications Part 1 PHYSICAL LAYER SPECIFICATION  
Version 2.00 May 9, 2006
- 2) SD Specifications Part 1 miniSD Card Addendum  
Version 2.00 January 30, 2007
- 3) SD Specifications Part 2 FILE SYSTEM SPECIFICATION  
Version 2.00 May 9, 2006
- 4) ISO/IEC9293:1994  
Information technology - Volume and file structure of disk cartridges for information interchange
- 5) PC CARD STANDARD Release 8.1 2002  
Volume 4 Metaformat Specification

# Appendix C

## C.1 Abbreviations and Terms

3C	The original 3 companies that established the SDA and the SD card specification
ACMD	Application Command An additional set of commands created to support SD specific requirements.
Block	A number of bytes, basic data transfer unit
CCCR	Common Card Control Registers
CD	Connect/Disconnect
CIA	Common Information Area
CID	Card IDentification number register
CIS	Card Information Structure
CLK	Clock signal
CMD	Command line or SD bus command (if extended CMDXX)
Combo Card	A card that includes both SDIO and SD memory
CRC	Cyclic Redundancy Check
CS	Chip or Card Select
CSA	Code Storage Area
CSD	Card Specific Data register
DAT[x]	Data line where x is in the range of 0 to 3
DSR	Driver Stage Register
ECC	Error Correction Code
Embedded SDIO	I/O or combo devices that are embedded in a host device that utilize the SDIO electrical and command interface, but are not intended to be removed.
EMI	Electro-Magnetic Interference
ESC	External Signal Contacts
ESD	Electro-Static Discharge
FAT	File Allocation Table
FBR	Function Basic Registers
FIFO	First In-First Out buffer
Flash	A type of multiple time programmable non volatile memory
Full-Size SDIO Card	A SDIO card with physical dimensions based on SD Physical Specification Version 1.01
Function	An I/O device contained within an SDIO card
High-Power SDIO	A SDIO device that requires up to 500 mA rather than the standard 200 mA allowed for a Standard-Power SDIO device
hi-Z	A three-state driver in the high-impedance state
Interrupt	A signal from the SDIO device to the host signaling the need for attention
Interrupt Period	The times that a card may generate an interrupt signal on the SD bus
Legacy Slot	SD Slot that supports only the SD Physical Specification Version 1.01

**SDIO Simplified Specification Version 2.00**

---

LOW, HIGH	Binary interface states with defined assignment to a voltage level
MBIO	Multi-Block I/O
miniSDIO Card	A SDIO card based on the miniSD card form factor.
MMC	MultiMedia Card
MSB, LSB	The Most Significant Bit or Least Significant Bit
OCR	Operation Conditions Register
PCMCIA	Personal Computer Memory Card International Association
PnP	Plug and Play a means to identify an SDIO device and optionally load applications and/or drivers without user intervention
R/O	Read Only
R/W	Read or Write
RAW	Read After Write
RCA	Relative Card Address register
Resume	Re-starting the temporarily halted data transfer
RFU	Reserved for Future Use. Normally Read-Only and set to 0
ROM	Read Only Memory
RWC	Read Wait Control
SCR	SD Configuration Register
SDA	SD Association
SDCLK	SD clock signal
SDIO	SD Input/Output
SDIO aware	A host designed to support the signals and protocol of SDIO devices
SPI	Serial Peripheral Interface
Standard-Power SDIO	A SDIO device that operates with 200 mA or less of current at all times.
Stuff bit(s)	Filling bit(s) to ensure fixed length frames for commands and responses.
Suspend	Temporarily halting the transfer of data
TBD	To Be Determined (in the future)
Three-state driver	A driver stage which has three output driver states: HIGH, LOW and high impedance (which means that the interface does not have any influence on the interface level)
Tuple	Data blocks in a linked list or chain format
VDD	+ Power supply
VSS	Power supply ground
W/O	Write Only
WP	Write Protect



# Appendix D

## (Informative)

Appendix D is not included in the Simplified Specification.

## Free Manuals Download Website

<http://myh66.com>

<http://usermanuals.us>

<http://www.somanuals.com>

<http://www.4manuals.cc>

<http://www.manual-lib.com>

<http://www.404manual.com>

<http://www.luxmanual.com>

<http://aubethermostatmanual.com>

Golf course search by state

<http://golfingnear.com>

Email search by domain

<http://emailbydomain.com>

Auto manuals search

<http://auto.somanuals.com>

TV manuals search

<http://tv.somanuals.com>