

# ENFORCER 24 LED CCD IR Day/Night CAMERA MANUAL

## TROUBLE SHOOTING

The screen is blank	<ul style="list-style-type: none"><li>• Check that the camera is powered up.</li><li>• Check that the power supply's polarity is correct.</li><li>• Check that the monitor is powered up.</li><li>• Check that the video cable connecting the camera to the monitor is connected properly.</li></ul>
The screen image is dim	<ul style="list-style-type: none"><li>• Clean the lens (using a soft, clean cloth).</li><li>• Check that the light source is adequate.</li></ul>
The screen image has poor contrast	<ul style="list-style-type: none"><li>• Adjust the monitor's contrast knob.</li><li>• Change the position of the camera.</li></ul>
The screen image flickers	<ul style="list-style-type: none"><li>• Change the position of the camera.</li></ul>
The screen image is distorted	<ul style="list-style-type: none"><li>• Change the position of the camera.</li></ul>
The camera case is hot	<ul style="list-style-type: none"><li>• Check that the correct power supply is in use.</li></ul>
IR LEDs do not turn on	<ul style="list-style-type: none"><li>• Check that the correct power supply is in use.</li></ul>

## IMPORTANT

Users and installers of this product are responsible for ensuring this product complies with all national, state, and local laws and statutes related to monitoring and recording audio and video signals. SECO-LARM will not be held responsible for the use of this product in violation of any current laws or statutes.

## WARNING

Stop using the camera if you see a malfunction like smoke or unusual heat, as it could cause fire or electric shock. Do not open the case of this device, as there are no field-serviceable components inside.

## FCC COMPLIANCE STATEMENT

Information to the user: This equipment has been tested and found to comply with the limits for a class a digital device, pursuant to part 15 of the FCC rules. These limits are designed to provide reasonable protection against harmful interference when the equipment is operated in a commercial environment. This equipment generates, uses and can radiate radio frequency energy and, if not installed and used in accordance with the instruction manual, may cause harmful interference to radio communications. Operation of this equipment in a residential area is likely to cause harmful interference in which case the user will be required to correct the interference at his own expense.

**WARRANTY:** This SECO-LARM product is warranted against defects in material and workmanship while used in normal service for a period of one (1) year from the date of sale to the original consumer customer. SECO-LARM's obligation is limited to the repair or replacement of any defective part if the unit is returned, transportation prepaid, to SECO-LARM.

This Warranty is void if damage is caused by or attributed to acts of God, physical or electrical misuse or abuse, neglect, repair, or alteration, improper or abnormal usage, or faulty installation, or if for any other reason SECO-LARM determines that such equipment is not operating properly as a result of causes other than defects in material and workmanship.

The sole obligation of SECO-LARM, and the purchaser's exclusive remedy, shall be limited to replacement or repair only, at SECO-LARM's option. In no event shall SECO-LARM be liable for any special, collateral, incidental, or consequential personal or property damages of any kind to the purchaser or anyone else.

## NOTICE

The information and specifications printed in this manual are current at the time of publication. However, the SECO-LARM policy is one of continual development and improvement. For this reason, SECO-LARM reserves the right to change specifications without notice. SECO-LARM is also not responsible for misprints or typographical errors.

Copyright © 2007 SECO-LARM U.S.A., Inc. All rights reserved. This material may not be reproduced or copied, in whole or in part, without the written permission of SECO-LARM.

## SECO-LARM® U.S.A., Inc.

16842 Millikan Avenue, Irvine, CA 92606

Tel: 800-662-0800 / 949-261-2999 Fax: 949-261-7326

Website: [www.seco-larm.com](http://www.seco-larm.com)

E-mail: [sales@seco-larm.com](mailto:sales@seco-larm.com)

PITNW1

IR\_24LQseries\_076.PMD

Download from [www.Somanuals.com](http://www.Somanuals.com). All Manuals Search And Download.

# ENFORCER®

## VIDEO

# MANUAL

## 1/3" CCD Color IR Day/Night Camera with 24 LEDs

Model Number	Video Format	Lens Size	Viewing* Angle
EV-132C-DWL6Q	NTSC	6mm	53°
EV-132C-DWL8Q	NTSC	8mm	39°
EV-132C-DWLDQ	NTSC	12mm	26°
EV-132C-DWLHQ	NTSC	16mm	19°
EV-135C-DWL6Q	PAL	6mm	53°
EV-135C-DWL8Q	PAL	8mm	39°
EV-135C-DWLDQ	PAL	12mm	26°
EV-135C-DWLHQ	PAL	16mm	19°

\*All viewing angles are approximate



**SLI®**  
**SECO-LARM®**



Note: Products with model number that ends with "Q" or have a round green "Q" sticker represents RoHS compliant products.

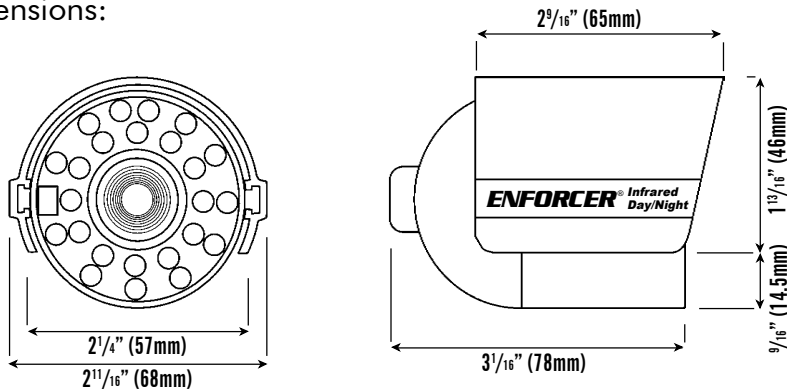
# ENFORCER 24 LED CCD IR DAY/NIGHT CAMERA MANUAL

## Specifications

Specifications	EV-132C-DWL6Q EV-132C-DWL8Q EV-132C-DWLDQ EV-132C-DWLHQ	EV-135C-DWL6Q EV-135C-DWL8Q EV-135C-DWLDQ EV-135C-DWLHQ
	Type	Color camera
Video format	NTSC	PAL
Chip	1/3" CCD, Sony	
Resolution	420 TV lines	
Pickup elements	512 x 492 pixels (NTSC) ; 512 x 582 pixels (PAL)	
Scanning system	2:1 interlace	
Sync	Internal	
Video output	1V pp composite output, 75 ohms	
Lens	EV-132C-DWL6Q/EV-135C-DWL6Q (6mm) ; EV-132C-DWL8Q / EV-135C-DWL8Q (8mm) EV-132C-DWLDQ / EV-135C-DWLDQ (12mm) ; EV-132C-DWLHQ / EV-135C-DWLHQ (16mm)	
Viewing angle*	EV-132C-DWL6Q / EV-135C-DWL6Q (53°) ; EV-132C-DWL8Q / EV-135C-DWL8Q (39°) EV-132C-DWLDQ / EV-135C-DWLDQ (26°) ; EV-132C-DWLHQ / EV-135C-DWLHQ (19°)	
Minimum illumination	0.1 lux (LEDs off), 0.0 lux (LEDs on)	
Gamma correction	0.45	
S/N ratio	>50dB (AGC off)	
Shutter control	Auto Electronic Shutter (AES) 1/60 (1/50)~1/100,000 sec.	
Backlight compensation	auto	
Automatic gain control (AGC)	auto	
Enclosure	IP68 weatherproof	
# of infrared LEDs	24	
Max. LED range	Approximately 80' (25m)	
Power source	12VDC ± 10%	
Power consumption	100mA (IR off), 360mA (IR on)	
Operating temperature	14°~131° F (-10°~55° C)	
Dimensions	3 1/16" (L) x 2 1/4" (D) (78 x 57 mm) (without sunshield)	
Weight	16 oz. (454g)	

\* All viewing angles are approximate

## Dimensions:



# ENFORCER 24 LED CCD IR DAY/NIGHT CAMERA MANUAL

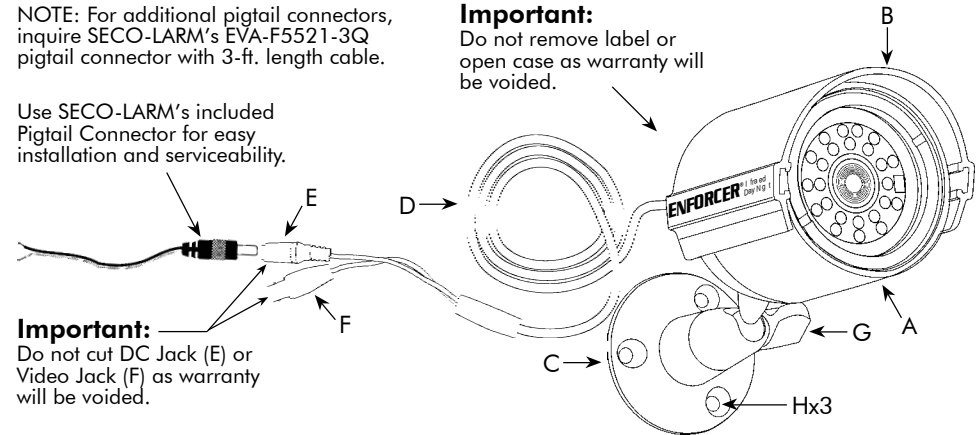
- A. Camera
- B. Adjustable Sunshield
- C. Mounting bracket
- D. 36" cord
- E. DC jack
- F. BNC connector (female)
- G. Adjustment nut
- H. Mounting holes

## Parts List

- 1 x IR camera
- 1 x Sunshield
- 1 x Mounting bracket
- 1 x Pigtail connector
- 3 x Mounting screws
- 3 x Screw anchors
- 1 x Manual

NOTE: For additional pigtail connectors, inquire SECO-LARM's EVA-F5521-3Q pigtail connector with 3-ft. length cable.

Use SECO-LARM's included Pigtail Connector for easy installation and serviceability.



**Important:** Do not cut DC Jack (E) or Video Jack (F) as warranty will be voided.

## BEFORE STARTING

- Please read this manual carefully and keep it for future reference.
- Use the camera within given temperature and electricity limits.
- Do not aim the LED light directly at the eyes when the LEDs are on.
- Do not point the camera at the sun. Heat could damage the camera, even when not in use.
- Do not mount the camera in areas exposed to radiation, strong magnetic fields, or strong electrical signals.\*

- Do not open or disassemble the camera. There are no user-serviceable parts inside.
- Do not drop the camera or subject it to strong vibrations.

\* Note: Many video monitors produce strong electromagnetic fields close to the display CRT, especially when the monitor is turned on or during de-Gaussing, which occurs automatically with many monitors when the monitor is turned on.

## INSTALLATION

- Run a 12VDC power supply wire and a video cable with a male BNC connector through the wall to where the camera is to be mounted (if necessary).
- Assemble the mounting bracket; then screw it into the back of the camera. Make sure the mounting base is tightened to the bracket.
- Temporarily connect the camera to the 12VDC power supply. **Do not cut DC jack or video jack as warranty will be voided. Use the included SECO-LARM's pigtail connector.**
- Temporarily connect the camera's female BNC connector to the video cable's male BNC connector.
- While watching the monitor, hold the camera bracket against the wall by hand where it is to be mounted, then twist the camera until it is certain that this mounting location is correct. Use a pencil to mark the location of the three screw holes in the bracket.
- Disconnect the 12VDC power supply and video cable.
- Mount the bracket to the wall using the three included mounting screws. If the wall is made of dry wall, brick, or similar material, it may be necessary to use the three included screw anchors.
- Reconnect the 12VDC power supply and video cable. Turn the monitor on, and make sure the camera is sending the proper video signal.
- Adjust the camera angle:
  - Loosen and tighten the bracket's thumb screw to turn the camera and change its angle relative to the bracket. This ensures the camera is pointing in the right direction.
  - Loosen and tighten the adjustment plate to rotate the camera on its axis. This rotates the angle of the video image.
- Tighten the bracket's thumb screw and the adjustment plate so that the camera does not move, but not so tight that it cracks the case or bracket.
- Do a final test of the video camera and monitor.

## Free Manuals Download Website

<http://myh66.com>

<http://usermanuals.us>

<http://www.somanuals.com>

<http://www.4manuals.cc>

<http://www.manual-lib.com>

<http://www.404manual.com>

<http://www.luxmanual.com>

<http://aubethermostatmanual.com>

Golf course search by state

<http://golfingnear.com>

Email search by domain

<http://emailbydomain.com>

Auto manuals search

<http://auto.somanuals.com>

TV manuals search

<http://tv.somanuals.com>