

## No Touch Request-to-Exit Sensor

### SD-927PKC-NEQ

SECO-LARM's "No Touch" Request-To-Exit Sensor uses IR technology to open a door or activate a device with the simple wave of a hand. The trigger distance is up to 4". Since it is no touch, this sensor is ideal for use in hospitals, clinics, labs, cleanrooms (to reduce the risk of contamination) or for use in schools, factories, or offices (anywhere an easy way to exit is required).



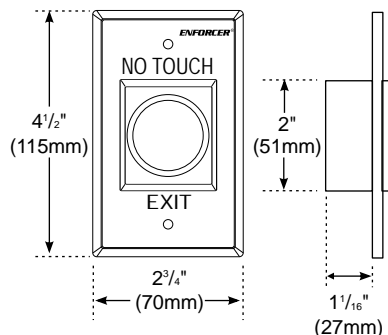
### Features:

- ▶ No Touch -- just wave a hand in front of sensor.
- ▶ Sensing range up to 4" (10cm).
- ▶ Attractive "ring" illuminator turns from green to red when the sensor is activated.
- ▶ Reduce the risk of cross contamination.
- ▶ Easy and clean operation.
- ▶ Reliable IR technology senses motion.
- ▶ Durable stainless-steel plate.
- ▶ Quick-connect screwless terminal block.
- ▶ SPDT 3A relay output.

### Technical Specifications:

	SD-927PKC-NEQ
Voltage	12VDC
Current Drain	40mA @ 12VDC
Relay Type	Form-C dry contact, 3A@12VDC
Response Time	10mS
Output Time	0.5S or as long as unit is triggered
Range	Up to 4" (10cm)
Temperature Range	-4°~131°F (-20°~55°C)
Weight	3oz (85g)
Dimensions	4 <sup>1</sup> / <sub>2</sub> " x 2 <sup>3</sup> / <sub>4</sub> " x 1 <sup>5</sup> / <sub>16</sub> " (115 x 70 x 33.5mm)

### Dimensions:



### Application:



The SECO-LARM policy is one of continual development. For that reason, SECO-LARM reserves the right to change prices and specifications without notice. SECO-LARM is not responsible for misprints.

## Free Manuals Download Website

<http://myh66.com>

<http://usermanuals.us>

<http://www.somanuals.com>

<http://www.4manuals.cc>

<http://www.manual-lib.com>

<http://www.404manual.com>

<http://www.luxmanual.com>

<http://aubethermostatmanual.com>

Golf course search by state

<http://golfingnear.com>

Email search by domain

<http://emailbydomain.com>

Auto manuals search

<http://auto.somanuals.com>

TV manuals search

<http://tv.somanuals.com>