

Electric Shear Lock

1,500lb. (680 kg.) holding force

Concealed security for remote access and exit control of aluminum and steel doors or gates. Works with sliding, single-action, and double-action (swing-through) doors and gates. Plated steel plugs and magnetic bond holds doors securely in place with approximately 1,500 pounds (680 kg) of shear holding force.

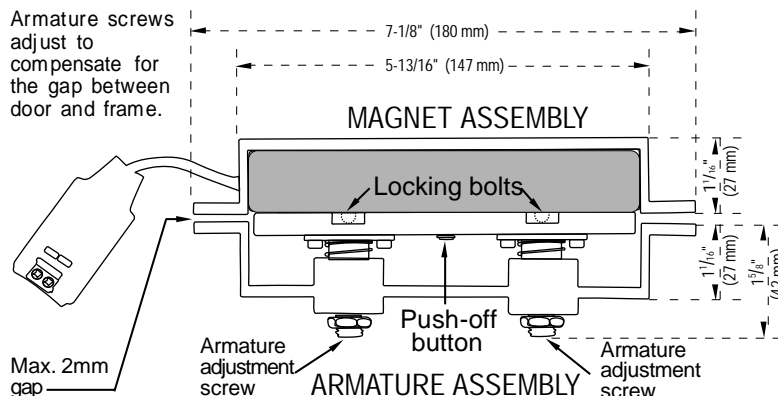


SD-993B-SS

Specifications:

	SD-993B-SS
Operating Voltage	12VDC or 24VDC
Current Draw	420mA/12VDC, 210mA/24V
Door Gap	Max. 1/16" (2mm)
Weight (Approx.)	2lbs., 8oz. (1.1kg)

Dimensions:



Features:

- ▶ Concealed security for remote access and exit control of aluminum and steel doors or gates.
- ▶ Smaller size for use with most metal door jambs.
- ▶ Zinc-plated magnet and armature, aluminum anodized housing.
- ▶ Works with sliding, single-action, and double-action (swing-through) doors and gates.
- ▶ Use with an optional digital keypad for keyless high security.
- ▶ Easily connects to SECO-LARM's SK-983A Electronic Keypad.
- ▶ Spring-loaded locking bolts and magnetic bond holds doors securely in place with approximately 1,500 pounds (680kg) of shear holding force.
- ▶ Fail-safe operation (unlocks if power is lost).
- ▶ Armature plate adjusts to compensate for gaps between door and frame.

The SECO-LARM policy is one of continual development. For that reason, SECO-LARM reserves the right to change prices and specifications without notice. SECO-LARM is not responsible for misprints.

Free Manuals Download Website

<http://myh66.com>

<http://usermanuals.us>

<http://www.somanuals.com>

<http://www.4manuals.cc>

<http://www.manual-lib.com>

<http://www.404manual.com>

<http://www.luxmanual.com>

<http://aubethermostatmanual.com>

Golf course search by state

<http://golfingnear.com>

Email search by domain

<http://emailbydomain.com>

Auto manuals search

<http://auto.somanuals.com>

TV manuals search

<http://tv.somanuals.com>