

ENFORCER®

Access

Electric Deadbolt for Fail-Secure Applications

Model: SD-997A

Adds concealed deadbolt security to most wood or hollow metal doors, with the added convenience of electrical operation.

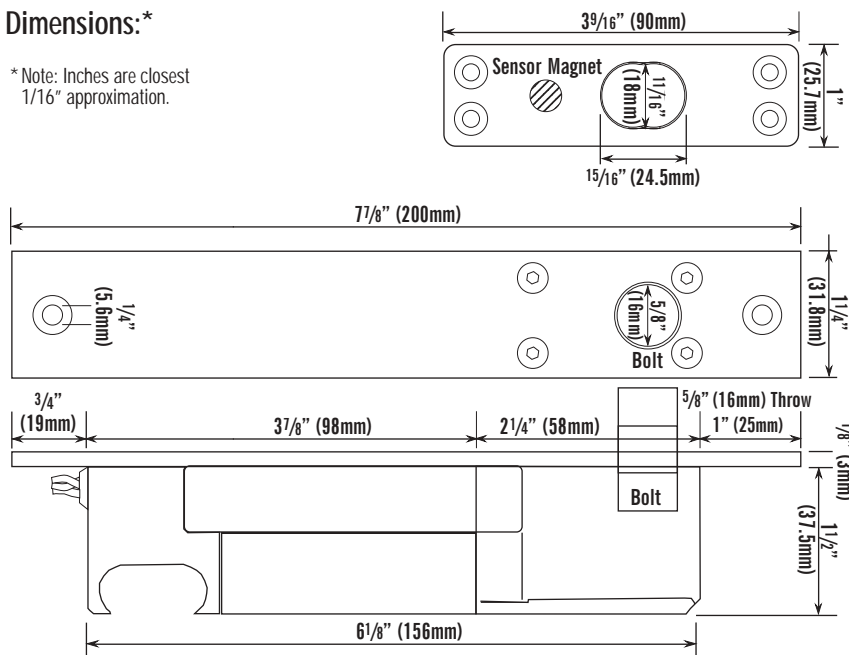
Features:

- ▶ Fail-secure operation (locks if power is lost).
- ▶ Stainless steel bolt, 5/8" diameter, 5/8" throw.
- ▶ Includes control wire which allows for releasing without cutting unit's power.
- ▶ Door open/close monitor (NO/C/NC).
- ▶ Magnetic switch senses door position for positive locking.
- ▶ Solenoid attempts to lock several times and then shuts down if door not closed properly to prevent solenoid from burning out. Once door closed properly will automatically lock.
- ▶ Adjustable door lock delay timer - (0, 3, 5, or 9 seconds).
- ▶ 1.5-Amp over-current protection.
- ▶ Includes all necessary hardware.

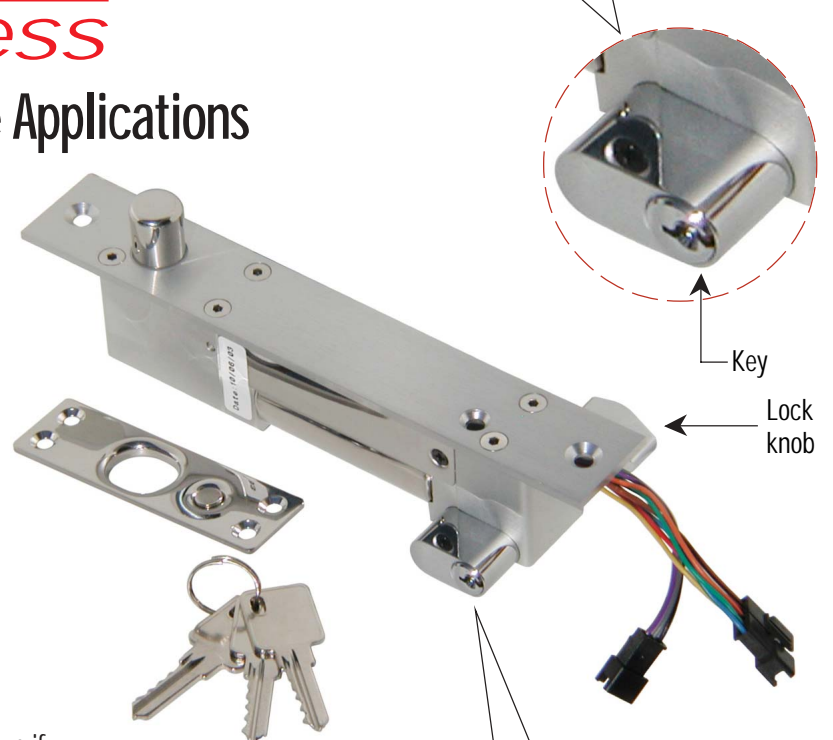
SD-997B - Similar to SD-997A but for Fail Safe operation (also does not include locking cylinder or second wire connector).

Dimensions:*

* Note: Inches are closest 1/16" approximation.

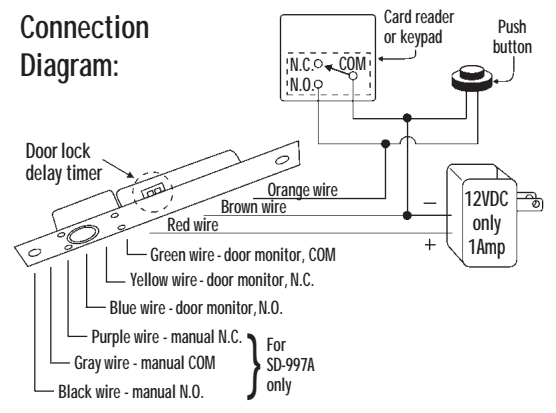


Note that cylinder extends past lock on both sides.



Incorporates manual lock/unlock cylinder to operate the SD-997A if power is lost (turn lock knob from inside protected premises and/or use key from outside protected premises).

Connection Diagram:



Specifications:

	SD-997A	SD-997B
Operation	Fail-Secure	Fail-Safe
Current Draw	Standby: 320mA Activated: 880mA	Standby: 360mA Activated: 900mA
Status Sensor	SPDT, 500mA @ 12VDC (N.O./C./N.C.)	
Operation Voltage	12VDC	
Adjustable Delay Timer	0, 3, 5, 9 sec.s	0, 2.5, 5, 9 sec.s
Weight (approx.)	2lbs., 5oz. (1kg)	1lb., 13oz. (0.82kg)

SD997A.pmd

The SECO-LARM policy is one of continual development. For that reason, SECO-LARM reserves the right to change prices and specifications without notice. SECO-LARM is not responsible for misprints.

SECO-LARM® U.S.A., Inc., 16842 Millikan Avenue, Irvine, CA 92606 Tel: 1-800-662-0800 (Domestic U.S. & Canada)
Tel: 1-949-261-2999 (California & International) Fax: 1-949-261-7326 Email: info@seco-larm.com Website: www.seco-larm.com

Download from Www.Somanuals.com. All Manuals Search And Download.

Free Manuals Download Website

<http://myh66.com>

<http://usermanuals.us>

<http://www.somanuals.com>

<http://www.4manuals.cc>

<http://www.manual-lib.com>

<http://www.404manual.com>

<http://www.luxmanual.com>

<http://aubethermostatmanual.com>

Golf course search by state

<http://golfingnear.com>

Email search by domain

<http://emailbydomain.com>

Auto manuals search

<http://auto.somanuals.com>

TV manuals search

<http://tv.somanuals.com>