

ENFORCER[®] **ACCESS**

Exit Button

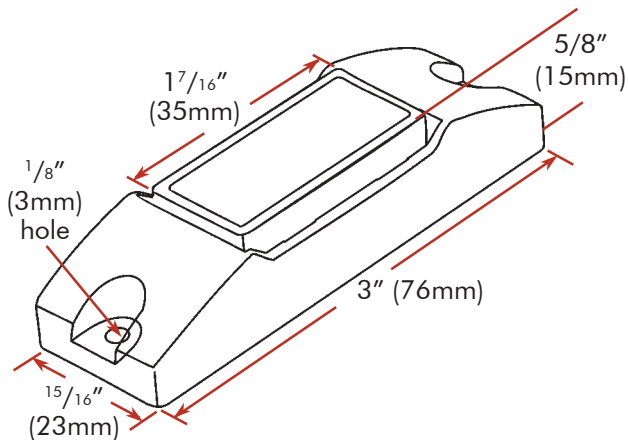
SS-075C-PE

Emergency & Push-To-Exit N.O./N.C. Button



- N.O. or N.C. (selectable) momentary contact.
- Contact rated 1.0 Amp at 12VDC.
- 3 labels included: choose between “EMERGENCY,” “PUSH TO EXIT,” and “PRESIONE PARA SALIR.”
- Screw terminals.

Special Introductory
Pricing. Contact
SECO-LARM Today.



Each SS-075C-PE includes 3 labels. Choose the label correct for the application.

Free Manuals Download Website

<http://myh66.com>

<http://usermanuals.us>

<http://www.somanuals.com>

<http://www.4manuals.cc>

<http://www.manual-lib.com>

<http://www.404manual.com>

<http://www.luxmanual.com>

<http://aubethermostatmanual.com>

Golf course search by state

<http://golfingnear.com>

Email search by domain

<http://emailbydomain.com>

Auto manuals search

<http://auto.somanuals.com>

TV manuals search

<http://tv.somanuals.com>