

# ENFORCER®

## Covert PIR Camera (Non-Functioning PIR)

### Manual



Model	Resolution	Video Output
EV-5120-N3WQ	480 TV Lines	NTSC
EV-5120-P3WQ	480 TV Lines	PAL
EV-5620-N3WQ	600 TV Lines	NTSC
EV-5620-P3WQ	600 TV Lines	PAL

- Camera is covertly hidden in a non-functioning PIR sensor housing
- 1/3" Sony Super HAD II CCD
- 3.7mm lens (78° viewing angle)
- 480 or 600 TV lines
- Low current draw: 200mA

**SLI SECO-LARM**



Note: Model numbers that end with "Q" or that have a round green "Q" sticker signify RoHS-compliant products.

Download from [Www.Somanuals.com](http://Www.Somanuals.com). All Manuals Search And Download.

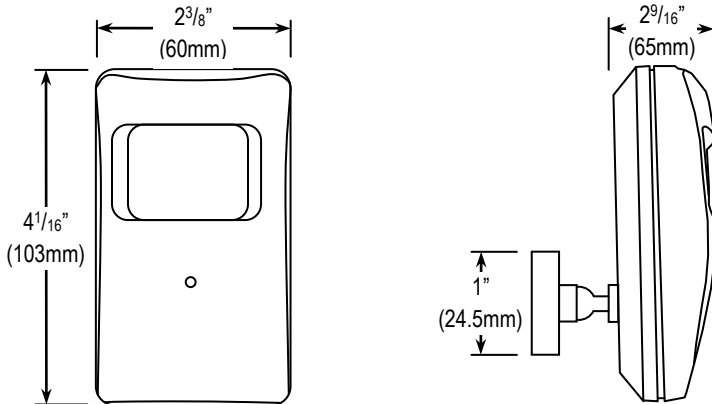
**Specifications:**

	EV-5120-N3WQ	EV-5120-P3WQ	EV-5620-N3WQ	EV-5620-P3WQ
Type	PIR Camera			
CCD	1/3" Sony Super HAD II CCD			
Resolution	480 TV Lines		600 TV Lines	
Video output format	NTSC	PAL	NTSC	PAL
Pickup elements	510x492 pixels	500x582 pixels	768x494 pixels	752x582 pixels
Video output	1.0Vp-p composite video, 75Ω			
Scanning system	2:1 Interlace			
Lens	3.7mm Pinhole			
Viewing angle	78°			
Minimum illumination	0.1 Lux at F/1.2			
S/N ratio	>48dB (AGC Off)			
Gain Control	Auto			
Power source	12VDC±10%			
Current draw	200mA			
Operating temperature	14°~122° F (-10°~50° C)			
Dimensions	2 <sup>3</sup> / <sub>8</sub> " x 4 <sup>1</sup> / <sub>16</sub> " x 2 <sup>9</sup> / <sub>16</sub> " (60x103x65 mm)			
Weight	3.35-oz (95g)			

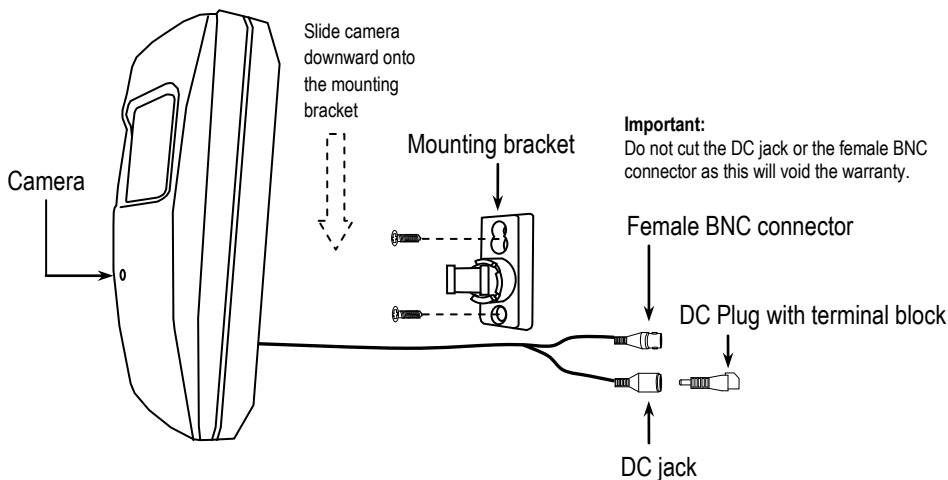
**Parts List:**

- 1x Manual      2x Mounting screws      1x Mounting bracket
- 1x Camera      2x Screw anchors      1x DC Plug with terminal block

**Dimensions:**



## Overview:



## Before Starting:

1. Please read this manual carefully and keep it for future reference.
2. Use the camera within given temperature and electrical limits.
3. Do not mount the camera where it is exposed to rain or other moisture, or in humid or dusty places.
4. Do not point the camera at the sun. Heat could damage the camera, even when not in use.
5. Do not mount the camera in areas exposed to radiation, strong magnetic fields, or strong electrical signals.
6. Do not open or disassemble the camera. There are no user-serviceable parts inside.
7. Do not drop the camera or subject it to strong vibrations.

## Installation:

1. Run a 12VDC power supply wire and a video cable with a male BNC connector through the wall to where the camera will be mounted.
2. Connect the camera's video and power cables.
3. Do a preliminary test of the camera to ensure it will work properly at that location.
4. Remove the bracket (if attached) by gently wiggling it while pulling it downward, off the camera.
5. Partially screw a screw into the wall where the top of the bracket should go. Slide the bracket onto the screw. Finish securing the top of the bracket to the wall.
6. Secure the bottom of the bracket to the wall.
7. Attach the camera to the bracket by sliding the camera downward.
8. Do a final test of the video camera and monitor.

## Troubleshooting:

The screen is blank.

- Check that the camera is powered up.
- Check that the power supply's polarity is correct.
- Check that the monitor is powered up.
- Check that the video cable connecting the camera to the monitor is connected properly.

The screen image is dim

- Clean the lens using a soft, clean cloth.
- Check that the light source is adequate.

The screen image has poor contrast.

- Adjust the monitor's contrast knob.
- Change the position of the camera.

The screen image flickers.

- Change the position of the camera.

The screen image is distorted.

- Change the position of the camera.

The camera case is hot.

- Check that the correct power supply is in use.

### IMPORTANT

Users and installers of this product are responsible for ensuring this product complies with all national, state, and local laws and statutes related to monitoring and recording audio and video signals. SECO-LARM will not be held responsible for the use of this product in violation of any current laws or statutes.

### WARNING

Stop using the camera if you see a malfunction such as smoke or unusual heat, as it could cause fire or electric shock. Do not open the case of this device, as there are no user-serviceable components inside.

### FCC COMPLIANCE STATEMENT

Information to the user: This equipment has been tested and found to comply with the limits for a class B digital device, pursuant to part 15 of the FCC rules. These limits are designed to provide reasonable protection against harmful interference when the equipment is operated in a commercial environment. This equipment generates, uses, and can radiate radio frequency energy and, if not installed and used in accordance with the instruction manual, may cause harmful interference to radio communications. Operation of this equipment in a residential area is likely to cause harmful interference in which case the user will be required to correct the interference at his or her own expense.

**WARRANTY:** This SECO-LARM product is warranted against defects in material and workmanship while used in normal service for a period of two (2) years from the date of sale to the original consumer customer. SECO-LARM's obligation is limited to the repair or replacement of any defective part if the unit is returned, transportation prepaid, to SECO-LARM.

This Warranty is void if damage is caused by or attributed to acts of God, physical or electrical misuse or abuse, neglect, repair or alteration, improper or abnormal usage, or faulty installation, or if for any other reason SECO-LARM determines that such equipment is not operating properly as a result of causes other than defects in material and workmanship.

The sole obligation of SECO-LARM, and the purchaser's exclusive remedy, shall be limited to replacement or repair only, at SECO-LARM's option. In no event shall SECO-LARM be liable for any special, collateral, incidental, or consequential personal or property damages of any kind to the purchaser or anyone else.

### NOTICE

The information and specifications printed in this manual are current at the time of publication. However, the SECO-LARM policy is one of continual development and improvement. For this reason, SECO-LARM reserves the right to change specifications without notice. SECO-LARM is also not responsible for misprints or typographical errors.

Copyright © 2011 SECO-LARM U.S.A., Inc. All rights reserved. This material may not be reproduced or copied, in whole or in part, without the written permission of SECO-LARM.

### SECO-LARM U.S.A., Inc.

16842 Millikan Avenue, Irvine, CA 92606  
Tel: 800-662-0800 / 949-261-2999

Website: [www.seco-larm.com](http://www.seco-larm.com)  
E-mail: [sales@seco-larm.com](mailto:sales@seco-larm.com)



MI-EV-5xx0-x3WQ\_1108.docx

## Free Manuals Download Website

<http://myh66.com>

<http://usermanuals.us>

<http://www.somanuals.com>

<http://www.4manuals.cc>

<http://www.manual-lib.com>

<http://www.404manual.com>

<http://www.luxmanual.com>

<http://aubethermostatmanual.com>

Golf course search by state

<http://golfingnear.com>

Email search by domain

<http://emailbydomain.com>

Auto manuals search

<http://auto.somanuals.com>

TV manuals search

<http://tv.somanuals.com>