

ENFORCER®

IR LED Bullet Cameras

Manual



(42-LED version shown)

NTSC Model #	PAL Model #	Lens	Resolution	# of IR LEDs	OSD*
EV-1186-N3GQ	EV-1186-P3GQ	3.6mm	480 TV lines	30	No
EV-1806-N3GQ	EV-1806-P3GQ	3.6mm	600 TV lines	30	Yes
EV-1196-N6GQ	EV-1196-P6GQ	6.0mm	480 TV lines	42	No
EV-1816-N6GQ	EV-1816-P6GQ	6.0mm	600 TV lines	42	Yes
EV-1196-NKGQ	EV-1196-PKGQ	2.8~12mm	480 TV lines	42	No
EV-1816-NKGQ	EV-1816-PKGQ	2.8~12mm	600 TV lines	42	Yes

*OSD functions are only accessible via optional OSD controller (EV-18C, sold separately).

- 1/3" Sony Super HAD II CCD
- Weatherproof
- OSD functions accessible with optional OSD controller (EV-18C)
- Optimized to produce clear images at night
- Cables concealed in bracket
- 12VDC operation



Zeta Series Model No.
OSD Controller EV-18C



Use to access the OSD (On-Screen Display) functions for compatible cameras without having to be near the camera.

Not included.

For more information, please see the EV-18C manual.

SLI SECO-LARM



Note: Model numbers that end with "Q" or that have a round green "Q" sticker signify RoHS-compliant products.

Download from Www.Somanuals.com. All Manuals Search And Download.

Specifications:

Model #	NTSC	EV-1186-N3GQ	EV-1806-N3GQ	EV-1196-N6GQ EV-1196-NKGQ	EV-1816-N6GQ EV-1816-NKGQ
	PAL	EV-1186-P3GQ	EV-1806-P3GQ	EV-1196-P6GQ EV-1196-PKGQ	EV-1816-P6GQ EV-1816-PKGQ
Type	IR LED Bullet Camera				
CCD	1/3" Sony Super HAD II				
# of infrared LEDs	30			42	
Resolution	480 TV lines	600 TV lines	480 TV lines	600 TV lines	
Pickup elements	NTSC	510x492 pixels	768x494 pixels	510x492 pixels	768x494 pixels
	PAL	500x528 pixels	752x582 pixels	500x528 pixels	752x582 pixels
Sync	Internal				
Video output	1.0Vp-p Composite video, 75Ω				
Minimum illumination	LEDs OFF	0.1 Lux			
	LEDs ON	0 Lux			
Gamma correction	0.45				
S/N ratio	>45dB				
Shutter control	Auto Electric Shutter (AES)				
Gain control	Auto				
LED range	Up to 75ft (23m)			Up to 105ft (32m)	
Operating voltage	12VDC				
Current draw	LEDs OFF	87mA	95mA	87mA	95mA
	LEDs ON	260mA	270mA	330mA	350mA
Operating temperature	14~122° F (-10~50° C)				
Dimensions	7" x 3 1/8" x 3 1/8" (177 x 80 x 80 mm)			7 1/8" x 3 1/2" x 3 1/8" (200 x 90 x 80 mm)	
Weight	12-oz (340g)			1-lb 2-oz (510g)	

Lens and IP Rating:

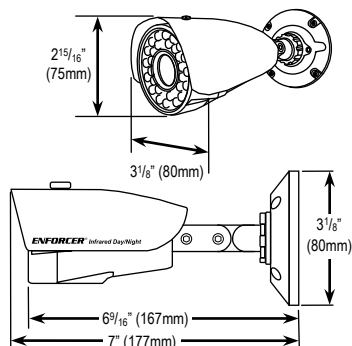
Model #		Lens	IP Rating
EV-1186-N3GQ	EV-1186-P3GQ	3.6mm	IP67
EV-1806-N3GQ	EV-1806-P3GQ	3.6mm	IP67
EV-1196-N6GQ	EV-1196-P6GQ	6.0mm	IP67
EV-1816-N6GQ	EV-1816-P6GQ	6.0mm	IP67
EV-1196-NKGQ	EV-1196-PKGQ	2.8~12mm	IP66
EV-1816-NKGQ	EV-1816-PKGQ	2.8~12mm	IP66

Parts List:

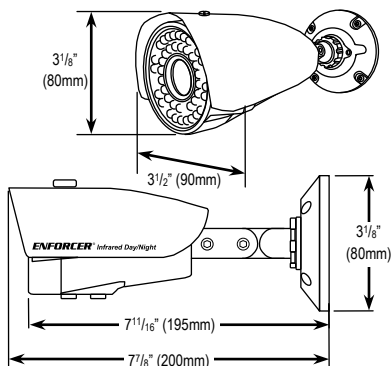
- 1 x IR camera
- 1 x Sunshield
- 1 x DC Plug with terminal block
- 1 x Hex wrench
- 1 x Manual
- 4 x Mounting screws

Dimensions:

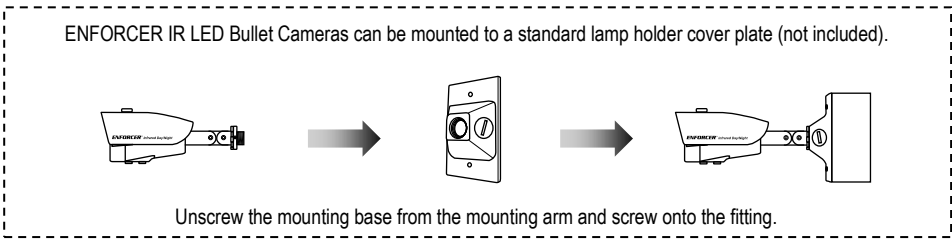
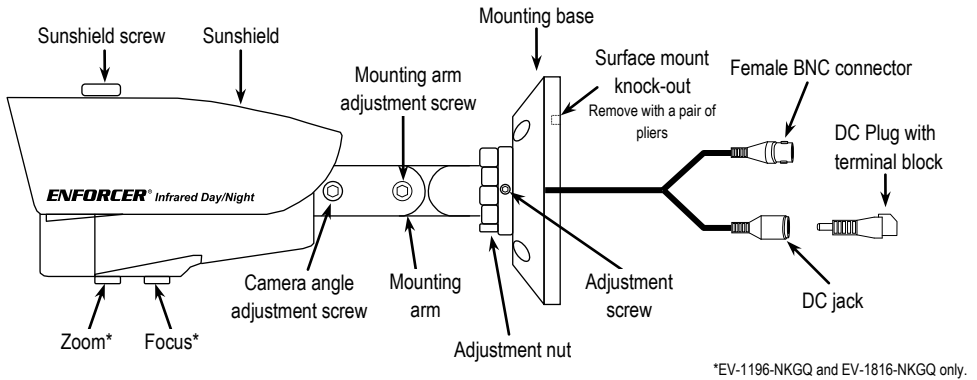
30-LED Models



42-LED Models



Overview:



Before Starting:

1. Please read this manual carefully and keep it for future reference.
2. Use the camera within given temperature and electrical limits.
3. Do not aim the LED light directly at the eyes when the LEDs are on.
4. Do not point the camera at the sun. Heat could damage the camera, even when not in use.
5. Do not mount the camera in areas exposed to radiation, strong magnetic fields, or strong electrical signals.
6. Do not open or disassemble the camera. There are no field serviceable parts inside.
7. Do not drop the camera or subject it to strong vibrations.

Installation:

1. Run a 12VDC power supply wire and a video cable with a male BNC connector through the wall to where the camera is to be mounted.
2. Temporarily connect the camera to the 12VDC power supply. **Do not cut the DC jack or female BNC plug as warranty will be voided. If needed, use the included SECO-LARM DC plug with terminal block.**
3. Temporarily connect the camera's female BNC jack to the video cable's male BNC plug. While watching the monitor, hold the camera bracket by hand against the wall where it is to be mounted, then twist the camera until it is certain that this mounting location is correct. Use a pencil to mark the location of the four screw holes in the bracket.
4. Disconnect the 12VDC power supply and video cable.
5. Mount the bracket to the wall using the four included mounting screws.
6. Reconnect the 12VDC power supply and video cable. Turn the monitor on and make sure the camera is sending the proper video signal.
7. To adjust the camera angle, loosen and tighten the adjustment nut, or loosen and tighten either of the two screws on the mounting arm. Adjust until the desired scene is displayed.
8. Adjust the zoom and focus using the included hex wrench. (Varifocal models only.)
9. Do a final test of the video camera and monitor.

Mounting to Lamp Holder Cover Plate

1. Remove mounting base by loosening adjustment screw and adjustment nut before removing the mounting base by twisting.
2. Screw the camera onto a lamp holder cover plate and tighten the adjustment nut and adjustment screw.

Troubleshooting:

The screen is blank.

- Check that the camera is powered up.
- Check that the power supply's polarity is correct.
- Check that the monitor is powered up.
- Check that the video cable connecting the camera to the monitor is connected properly.

The screen image is dim.

- Clean the lens using a soft, clean cloth.
- Check that the light source is adequate.

The screen image has poor contrast.

- Adjust the monitor's contrast knob.
- Change the position of the camera.

The screen image flickers.

- Change the position of the camera.

The screen image is distorted.

- Change the position of the camera.

The camera case is hot.

- Check that the correct power supply is in use.

IR LEDs do not turn on.

- Check that the correct power supply is in use.

IMPORTANT

Users and installers of this product are responsible for ensuring this product complies with all national, state, and local laws and statutes related to monitoring and recording audio and video signals. SECO-LARM will not be held responsible for the use of this product in violation of any current laws or statutes.

WARNING

Stop using the camera if you see a malfunction such as smoke or unusual heat, as it could cause fire or electric shock. Do not open the case of this device, as there are no field serviceable components inside.

FCC COMPLIANCE STATEMENT

Information to the user: This equipment has been tested and found to comply with the limits for a class B digital device, pursuant to part 15 of the FCC rules. These limits are designed to provide reasonable protection against harmful interference when the equipment is operated in a commercial environment. This equipment generates, uses, and can radiate radio frequency energy and, if not installed and used in accordance with the instruction manual, may cause harmful interference to radio communications. Operation of this equipment in a residential area is likely to cause harmful interference in which case the user will be required to correct the interference at his or her own expense.

WARRANTY: This SECO-LARM product is warranted against defects in material and workmanship while used in normal service for a period of one (1) year from the date of sale to the original consumer customer. SECO-LARM's obligation is limited to the repair or replacement of any defective part if the unit is returned, transportation prepaid, to SECO-LARM.

This Warranty is void if damage is caused by or attributed to acts of God, physical or electrical misuse or abuse, neglect, repair or alteration, improper or abnormal usage, or faulty installation, or if for any other reason SECO-LARM determines that such equipment is not operating properly as a result of causes other than defects in material and workmanship.

The sole obligation of SECO-LARM, and the purchaser's exclusive remedy, shall be limited to replacement or repair only, at SECO-LARM's option. In no event shall SECO-LARM be liable for any special, collateral, incidental, or consequential personal or property damages of any kind to the purchaser or anyone else.

NOTICE

The information and specifications printed in this manual are current at the time of publication. However, the SECO-LARM policy is one of continual development and improvement. For this reason, SECO-LARM reserves the right to change specifications without notice. SECO-LARM is also not responsible for misprints or typographical errors.

Copyright © 2012 SECO-LARM U.S.A., Inc. All rights reserved. This material may not be reproduced or copied, in whole or in part, without the written permission of SECO-LARM.

SECO-LARM U.S.A., Inc.

16842 Millikan Avenue, Irvine, CA 92606

Tel: 800-662-0800 / 949-261-2999 Fax: 949-261-7326

Website: www.seco-larm.com

E-mail: sales@seco-larm.com

 PICS5
MIEV-1xx6-NxGQ_1208.docx

Free Manuals Download Website

<http://myh66.com>

<http://usermanuals.us>

<http://www.somanuals.com>

<http://www.4manuals.cc>

<http://www.manual-lib.com>

<http://www.404manual.com>

<http://www.luxmanual.com>

<http://aubethermostatmanual.com>

Golf course search by state

<http://golfingnear.com>

Email search by domain

<http://emailbydomain.com>

Auto manuals search

<http://auto.somanuals.com>

TV manuals search

<http://tv.somanuals.com>