

TROUBLE SHOOTING

The screen is blank	<ul style="list-style-type: none">• Check that the camera is powered up.• Check that the power supply's polarity is correct.• Check that the monitor is powered up.• Check that the video cable connecting the camera to the monitor is connected properly.
The screen image is dim	<ul style="list-style-type: none">• Clean the lens (using a soft, clean cloth).• Check that the light source is adequate.
The screen image has poor contrast	<ul style="list-style-type: none">• Adjust the monitor's contrast knob.• Change the position of the camera.
The screen image flickers	<ul style="list-style-type: none">• Change the position of the camera.
The screen image is distorted	<ul style="list-style-type: none">• Change the position of the camera.
The camera case is hot	<ul style="list-style-type: none">• Check that the correct power supply is in use.
IR LEDs do not turn on	<ul style="list-style-type: none">• Check that the correct power supply is in use.

IMPORTANT

Users and installers of this product are responsible for ensuring this product complies with all national, state, and local laws and statutes related to monitoring and recording audio and video signals. **SECO-LARM** will not be held responsible for the use of this product in violation of any current laws or statutes.

WARNING

Stop using the camera if you see a malfunction like smoke or unusual heat, as it could cause fire or electric shock. Do not open the case of this device, as there are no field-serviceable components inside.

FCC COMPLIANCE STATEMENT

Information to the user: This equipment has been tested and found to comply with the limits for a class a digital device, pursuant to part 15 of the FCC rules. These limits are designed to provide reasonable protection against harmful interference when the equipment is operated in a commercial environment. This equipment generates, uses and can radiate radio frequency energy and, if not installed and used in accordance with the instruction manual, may cause harmful interference to radio communications. Operation of this equipment in a residential area is likely to cause harmful interference in which case the user will be required to correct the interference at his own expense.

WARRANTY

ENFORCER IR Cameras are warranted against defects in material and workmanship while used in normal service for a period of one (1) year from the date of sale to the original customer. Our obligation is limited to the repair or replacement of any defective part if the unit is returned, transportation pre-paid, to SECO-LARM.

NOTICE

The information and specifications printed in this manual are current at the time of publication. However, the SECO-LARM policy is one of continual development and improvement. For this reason, SECO-LARM reserves the right to change specifications without notice. SECO-LARM is also not responsible for misprints or typographical errors.

Copyright © 2004 SECO-LARM U.S.A., Inc. All rights reserved. This material may not be reproduced or copied, in whole or in part, without the written permission of SECO-LARM.

SECO-LARM® U.S.A., Inc.

16842 Millikan Avenue, Irvine, CA 92606

Website: www.seco-larm.com

PITNW1

Tel: 800-662-0800 / 949-261-2999 Fax: 949-261-7326

E-mail: sales@seco-larm.com DAY_NIGHT_IMU0604c.PMD

ENFORCER[®] VIDEO

MANUAL

EV-1323C12DW

1/3" CCD Color IR Day/Night Camera

EV-1323B12DW

1/3" CCD B/W IR Day/Night Camera

Weatherproof



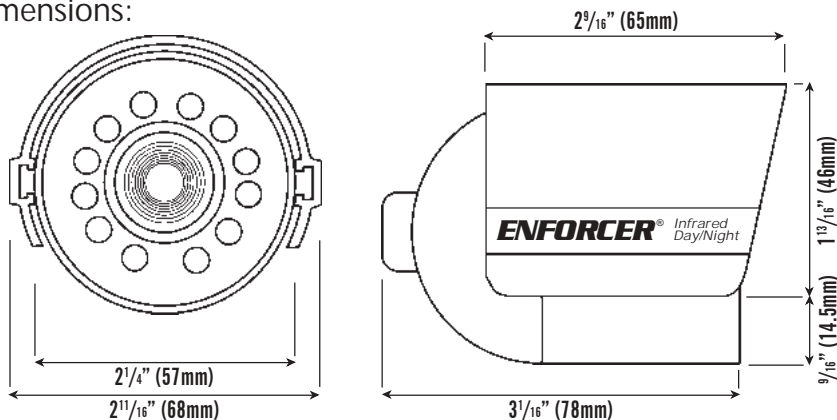
SLI[®]
SECO-LARM[®]

FCC CE

Specifications

	EV-1323C12DW (NTSC)	EV-1323B12DW (EIA)
Type	Color camera	B/W camera
Chip	1/3" CCD, Sony	1/3" CCD, Samsung
Resolution	420 TV lines	420 TV lines
Pickup elements	1/3" CCD 512 x 492 pixels	1/3" CCD 512 x 492 pixels
Scanning system	2:1 interlace	2:1 interlace
Sync	Internal	Internal
Video output	1V pp composite output, 75 ohms	1V pp composite output, 75 ohms
Lens	F1.8, 4.3mm (lens included)	F1.8, 4.3mm (lens included)
Minimum illumination	0.1 lux (LED off), 0.0 lux (LED on)	0.1 lux (LED off), 0.0 lux (LED on)
Gamma correction	0.45	0.45
S/N ratio	>50dB (AGC off)	>48dB (AGC off)
Shutter control	Auto Electronic Shutter (AES) 1/60 ~ 1/100,000 sec.	Auto Electronic Shutter (AES) 1/60 ~ 1/100,000 sec.
Backlight compensation	auto	auto
Automatic gain control (AGC)	auto	auto
Enclosure	IP67 weatherproof	IP67 weatherproof
# of infrared LEDs	12	12
Max. LED range	Up to 40 ft.	Up to 40 ft.
Power source	12VDC ± 10%	12VDC ± 10%
Power consumption	60mA (IR off), 160mA (IR on)	110mA (IR off), 210mA (IR on)
Operating temperature	14° ~ 131° F (-10° ~ 55° C)	14° ~ 131° F (-10° ~ 55° C)
Dimensions	3 1/16" (L) x 2 1/4" (D) (78 x 57 mm) (without sunshield)	3 1/16" (L) x 2 1/4" (D) (78 x 57 mm) (without sunshield)
Weight	16 oz. (454g)	16 oz. (454g)

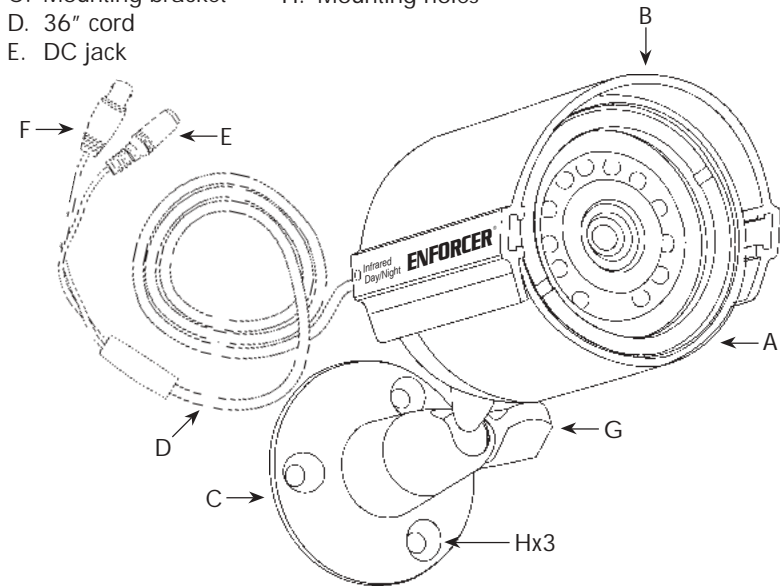
Dimensions:



Parts List

- 1 x IR camera
- 1 x Sunshield
- 1 x Mounting bracket
- 3 x Mounting screws
- 3 x Screw anchors
- 1 x Manual

- A. Camera
- B. Adjustable Sunshield
- C. Mounting bracket
- D. 36" cord
- E. DC jack
- F. BNC connector (female)
- G. Adjustment nut
- H. Mounting holes



BEFORE STARTING

1. Please read this manual carefully and keep it for future reference.
 2. Use the camera within given temperature and electricity limits.
 3. Do not aim the LED light directly at the eyes when the LEDs are on.
 4. Do not point the camera at the sun. Heat could damage the camera, even when not in use.
 5. Do not mount the camera in areas exposed to radiation, strong magnetic fields, or strong electrical signals.*
 6. Do not open or disassemble the camera. There are no user-serviceable parts inside.
 7. Do not drop the camera or subject it to strong vibrations.
- * Note: Many video monitors produce strong electromagnetic fields close to the display CRT, especially when the monitor is turned on or during de-Gaussing, which occurs automatically with many monitors when the monitor is turned on.

INSTALLATION

1. Run a 12VDC power supply wire and a video cable with a male BNC connector through the wall to where the camera is to be mounted (if necessary).
2. Assemble the mounting bracket; then screw it into the back of the camera. Make sure the mounting base is tightened to the bracket.
3. Temporarily connect the camera to the 12VDC power supply.
4. Temporarily connect the camera's female BNC connector to the video cable's male BNC connector.
5. While watching the monitor, hold the camera bracket against the wall by hand where it is to be mounted, then twist the camera until it is certain that this mounting location is correct. Use a pencil to mark the location of the three screw holes in the bracket.
6. Disconnect the 12VDC power supply and video cable.
7. Mount the bracket to the wall using the three included mounting screws. If the wall is made of dry wall, brick, or similar material, it may be necessary to use the three included screw anchors.
8. Reconnect the 12VDC power supply and video cable. Turn the monitor on, and make sure the camera is sending the proper video signal.
9. Adjust the camera angle:
 - (a) Loosen and tighten the bracket's thumb screw to turn the camera and change its angle relative to the bracket. This ensures the camera is pointing in the right direction.
 - (b) Loosen and tighten the adjustment plate to rotate the camera on its axis. This rotates the angle of the video image.
10. Tighten the bracket's thumb screw and the adjustment plate so that the camera does not move, but not so tight that it cracks the case or bracket.
11. Do a final test of the video camera and monitor.

Free Manuals Download Website

<http://myh66.com>

<http://usermanuals.us>

<http://www.somanuals.com>

<http://www.4manuals.cc>

<http://www.manual-lib.com>

<http://www.404manual.com>

<http://www.luxmanual.com>

<http://aubethermostatmanual.com>

Golf course search by state

<http://golfingnear.com>

Email search by domain

<http://emailbydomain.com>

Auto manuals search

<http://auto.somanuals.com>

TV manuals search

<http://tv.somanuals.com>