

ENFORCER®

NVD Bullet Cameras Installation Manual



3 Cameras in 1:



EV-1626-NKGQ (NTSC) EV-1626-PKGQ (PAL)	2.8~12mm
EV-1626-NWGQ (NTSC) EV-1626-PWGQ (PAL)	6~50mm

- 1/3" Sony Super HAD CCD
- OSD with service monitor port
- 12VDC/24VAC
- 600 TV lines

NVD Bullet Cameras have an ultra-low lux rating of 0.000006 allowing the camera to see in almost total darkness.



Note: Products with model numbers that end with "Q" or that have a round green "Q" sticker are RoHS compliant.

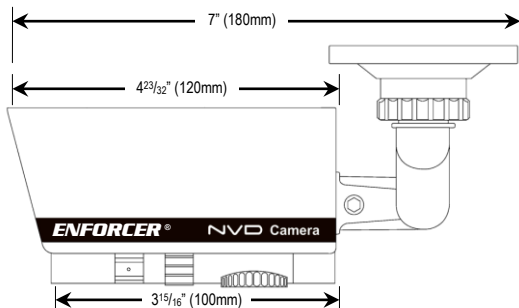
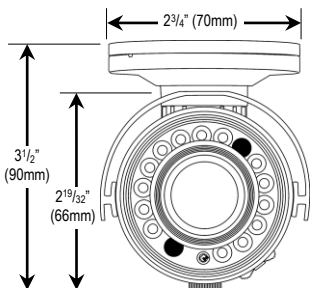
Specifications:

	EV-1626-NKGQ (NTSC) EV-1626-PKGQ (PAL)	EV-1626-NWGQ (NTSC) EV-1626-PWGQ (PAL)
Type	IR LED Bullet Camera	
CCD	1/3" SONY Super HAD CCD	
Resolution	600 TV lines	
Pickup Elements	NTSC: 768x494 pixels PAL: 752x582 pixels	
Video Output / Service Monitor Port	Composite video 1.0Vp-p into 75Ω + test connection	
Video Output Format	NTSC	
Lens (DC Auto Iris)	2.8~12mm	6~50mm
Minimum Illumination	0.000006-lux (LEDs on) 0.05-lux (LEDs off)	
S/N Ratio	>52dB (weight on)	
On Screen Display (OSD)	Built-in and controlled by internal joystick	
Motion Detection	4 zones	
Backlight Compensation	HLC/BLC/Off	
White Balance	ATW / AWC / MANUAL (1800°~10,500° K)	
Electronic Shutter	Auto/Manual (adjustable range: 1/60~1/120,000 sec)	
Auto Gain	Selectable: Low, Middle, High, Off	
3-DNR (DNR with 3D filtering)	On/Off (adjustable range: 0~100)	
Day & Night (Color)	Selectable: Color, Auto, B/W	
Sharpness	On/Off (adjustable range: 0~31)	
Privacy	On/Off (8 programmable zones)	
IP Rating	IP66	
# of Infrared LEDs	14 (850nm)	
Power Source	12VDC/24VAC Dual Voltage	
Current Draw	12VDC: 200mA(LEDs off), 310mA (LEDs on) 24VAC: 2W (LEDs off), 3W (LEDs on)	
Operating Temperature	14°~122° F (-10°~50° C)	
Dimensions (LxWxH)	7" x2 3/4" x3 1/2" (180x70x90 mm) (with sunshield)	
Weight	18-oz (500g)	

Dimensions:

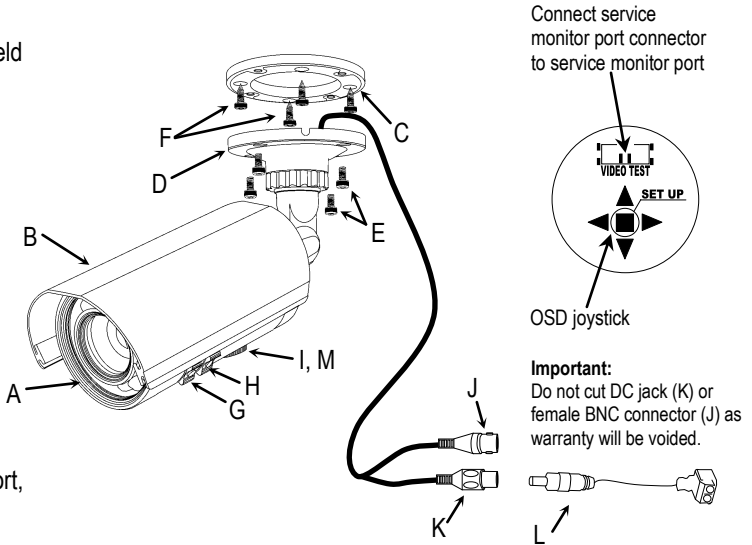
Parts List:

- 1 x Camera with bracket
- 1 x Mounting plate
- 1 x Sunshield
- 4 x Mounting screws
- 4 x Hex screws
- 1 x Hex wrench
- 1 x DC plug with terminal block
- 1 x Service monitor port connector



Overview:

- A. Camera
- B. Adjustable sunshield
- C. Mounting plate
- D. Camera base
- E. Hex screws
- F. Mounting screws
- G. Focus
- H. Zoom
- I. Service cover
- J. Female BNC connector (video out)
- K. DC jack
- L. DC plug with terminal block
- M. Service monitor port, OSD joystick



Before Starting:

1. Please read this manual carefully and keep it for future reference.
 2. Use the camera within given temperature and electrical limits.
 3. Do not aim the LEDs directly at the eyes when the LEDs are on.
 4. Do not point the camera at the sun. Heat could damage the camera, even when not in use.
 5. Do not mount the camera in areas exposed to radiation, strong magnetic fields, or strong electrical signals.¹
 6. Do not open or disassemble the camera. There are no field-serviceable parts inside.
 7. Do not drop the camera or subject it to strong vibrations.
- ¹Note: Many video monitors produce strong electromagnetic fields close to the display CRT, especially when the monitor is turned on or during de-Gaussing, which occurs automatically with many monitors when turning on.

Installation:

1. Run a 12VDC or 24VAC power supply wire and a video cable with a male BNC connector through the wall to where the camera is to be mounted.²
 2. Temporarily connect the camera to the power supply. **Do not cut DC jack or female BNC connector as warranty will be voided. If needed, use the included SECO-LARM DC plug with terminal block.**
 3. Remove service cover and connect included service monitor port connector to service monitor port.
 4. Connect the service monitor port connector's BNC to a test monitor.
 5. While watching the monitor, hold the camera against the wall or ceiling by hand where it is to be mounted, then turn the camera until it is certain that this mounting location is correct. Use a pencil to mark the location of the four screw holes in the mounting plate.
 6. Mount the mounting plate to the wall or ceiling using the four included mounting screws. If the wall is made of drywall, brick, or similar material, it may be necessary to use screw anchors (not included).
 7. Mount the camera base to the mounting plate using the four included hex screws.
 8. Adjust the camera angle.
 9. Adjust zoom and focus. Then use the OSD control joystick to adjust camera settings. (See OSD manual).
 10. Disconnect the power supply and service monitor connector.
 11. Put the sunshield on the camera.
 12. Do a final test of the video camera and monitor.
- ²Note: The base also allows for surface running of the wires. However, for a cleaner, more secure installation, run the wires through the wall.

Troubleshooting

The screen is blank.

- Check that the camera is powered up.
- Check that the power supply's polarity is correct.
- Check that the monitor is powered up.
- Check that the video cable connecting the camera to the monitor is connected properly.

The screen image is dim.

- Clean the lens using a soft, clean cloth.
- Check that the light source is adequate.

The screen image has poor contrast.

- Adjust the monitor's contrast knob.
- Change the position of the camera.

The screen image flickers.

- Change the position of the camera.

The screen image is distorted.

- Change the position of the camera.

The camera case is hot.

- Check that the correct power supply is in use.

IR LEDs do not turn on.

- Check that the correct power supply is in use.

IMPORTANT

Users and installers of this product are responsible for ensuring this product complies with all national, state, and local laws and statutes related to monitoring and recording audio and video signals. SECO-LARM will not be held responsible for the use of this product in violation of any current laws or statutes.

WARNING

Stop using the camera if you see a malfunction such as smoke or unusual heat, as it could cause fire or electric shock. Do not open the case of this device, as there are no field-serviceable components inside.

FCC COMPLIANCE STATEMENT

Information to the user: This equipment has been tested and found to comply with the limits for a class B digital device, pursuant to part 15 of the FCC rules. These limits are designed to provide reasonable protection against harmful interference when the equipment is operated in a commercial environment. This equipment generates, uses, and can radiate radio frequency energy and, if not installed and used in accordance with the instruction manual, may cause harmful interference to radio communications. Operation of this equipment in a residential area is likely to cause harmful interference in which case the user will be required to correct the interference at his own expense.

WARRANTY: This SECO-LARM product is warranted against defects in material and workmanship while used in normal service for a period of three (3) year from the date of sale to the original consumer customer. SECO-LARM's obligation is limited to the repair or replacement of any defective part if the unit is returned, transportation prepaid, to SECO-LARM.

This Warranty is void if damage is caused by or attributed to acts of God, physical or electrical misuse or abuse, neglect, repair, or alteration, improper or abnormal usage, or faulty installation, or if for any other reason SECO-LARM determines that such equipment is not operating properly as a result of causes other than defects in material and workmanship.

The sole obligation of SECO-LARM, and the purchaser's exclusive remedy, shall be limited to replacement or repair only, at SECO-LARM's option. In no event shall SECO-LARM be liable for any special, collateral, incidental, or consequential personal or property damages of any kind to the purchaser or anyone else.

NOTICE

The information and specifications printed in this manual are current at the time of publication. However, the SECO-LARM policy is one of continual development and improvement. For this reason, SECO-LARM reserves the right to change specifications without notice. SECO-LARM is also not responsible for misprints or typographical errors.

Copyright © 2010 SECO-LARM U.S.A., Inc. All rights reserved. This material may not be reproduced or copied, in whole or in part, without the written permission of SECO-LARM.

SECO-LARM® U.S.A., Inc.

16842 Millikan Avenue, Irvine, CA 92606

Tel: 800-662-0800 / 949-261-2999 Fax: 949-261-7326

Website: www.seco-larm.com

E-mail: sales@seco-larm.com

 PIKHR1
MIEV-1626NxGQ_1105.docx
Made in Korea

Free Manuals Download Website

<http://myh66.com>

<http://usermanuals.us>

<http://www.somanuals.com>

<http://www.4manuals.cc>

<http://www.manual-lib.com>

<http://www.404manual.com>

<http://www.luxmanual.com>

<http://aubethermostatmanual.com>

Golf course search by state

<http://golfingnear.com>

Email search by domain

<http://emailbydomain.com>

Auto manuals search

<http://auto.somanuals.com>

TV manuals search

<http://tv.somanuals.com>