

SECO-LARM

Mid-Size Vandal Dome Camera

Manual



(3.6mm model shown)

Model No.	Resolution	Lens Size	# of IR LEDs
-----------	------------	-----------	--------------

NTSC

EV-2166-N3WQ	420 TV lines	3.6mm	18
EV-2166-NVWQ	420 TV lines	4~9mm	21
EV-2766-N3WQ	540 TV lines	3.6mm	18
EV-2766-NVWQ	540 TV lines	4~9mm	21

PAL

EV-2166-P3WQ	420 TV lines	3.6mm	18
EV-2166-PVWQ	420 TV lines	4~9mm	21
EV-2766-P3WQ	540 TV lines	3.6mm	18
EV-2766-NVWQ	540 TV lines	4~9mm	21



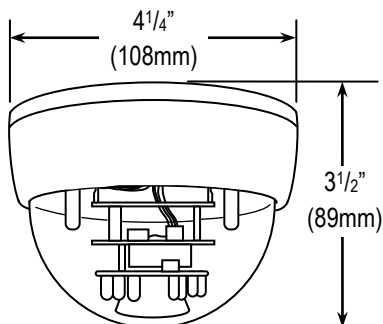
Specifications:

		NTSC	2166-N3WQ	2166-NVWQ	2766-N3WQ	2766-NVWQ
		PAL	2166-P3WQ	2166-PVWQ	2766-P3WQ	2766-PVWQ
Type		Mid Size Vandal Dome				
CCD		1/3" Sony Super HAD II				
Resolution		420 TV lines			540 TV lines	
Lens		3.6mm	4~9mm		3.6mm	4~9mm
# of IR LEDs		18 (850nm)	21 (850nm)	18 (850nm)	21 (850nm)	
IR range		65ft (20m)	80ft (25m)	65ft (20m)	80ft (25m)	
Pickup elements	NTSC	510x492 pixels			768x494 pixels	
	PAL	500x528 pixels			752x582 pixels	
Sync		Internal				
Video output		1Vp-p composite video, 75Ω				
Minimum illumination		0-lux (LEDs ON)				
S/N ratio		>48dB				
Shutter control		Auto Electric Shutter (AES)				
Gain control		Auto				
White balance		Auto				
Operating voltage		12VDC ±10%				
Current draw	LEDs OFF	100mA				
	LEDs ON	200mA	250mA	200mA	250mA	
IP Rating		IP65				
Operating temperature		-4°~122° F (-20°~50° C)				
Dimensions		4 1/4" x 3 1/2" (108x89 mm)				
Weight		18-oz (500g)				

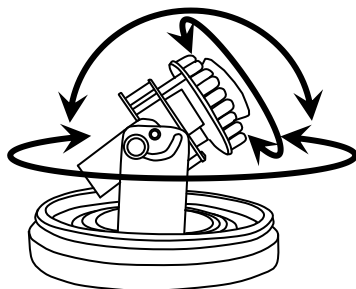
Parts List:

- | | | |
|------------|---------------------|---------------------------------|
| 1 x Manual | 3 x Mounting screws | 1 x DC plug with terminal block |
| 1 x Camera | 3 x Screw anchors | 1 x Allen wrench |

Dimensions:

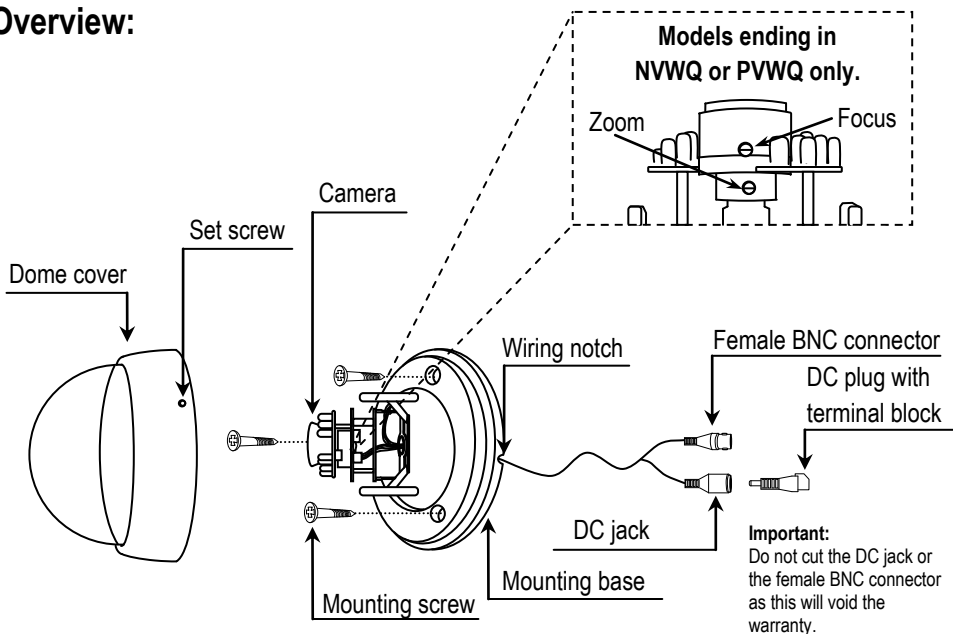


Adjusting the Camera Angle:



Move the camera along its 3 axes to adjust the pan, tilt, or rotation.

Overview:



Before Starting:

1. Please read this manual carefully and keep it for future reference.
 2. Use the camera within given temperature and electricity limits.
 3. Do not point the camera at the sun. Heat could damage the camera, even when not in use.
 4. Do not mount the camera in areas exposed to radiation, strong magnetic fields, or strong electrical signals*
 5. Do not drop the camera or subject it to strong vibrations.
- * **Note:** Many video monitors produce strong electromagnetic fields close to the display CRT, especially when the monitor is turned on or during de-gaussing, which occurs automatically with many monitors when turned on.

Installation:

1. Run hidden cables from the video source and 12VDC power supply to the camera. **Do not cut the DC jack or the female BNC connector as this will void the warranty. If needed, use the included SECO-LARM DC plug with terminal block.**
2. Test to make sure the voltage is correct. Use only 12VDC.
3. Undo the 3 set screws on the side of the dome cover using the included allen wrench and remove the dome from the base.
4. Hold the camera against the wall, ceiling, or other mounting surface while watching the monitor to find the best mounting location. Mark that location with a pencil.
5. If the installation involves surface wiring, use the wiring notch located on the side of the mounting base to run wires.
6. Mount the mounting base to the wall using the 3 included mounting screws. If necessary, use the included screw anchors.
7. Adjust the camera angle as shown on page 2, *Adjusting the Camera Angle*.
8. Test the video signal.
9. **Models ending in NVWQ and PVWQ only:** Adjust the zoom and focus by hand or with a small screwdriver to loosen the knob, and then sliding the knob left or right. **IMPORTANT:** Do not use power tools. Lens damage may result.
10. Reattach the dome to the camera.
11. Use the included allen wrench to tighten the set screws, securing the dome to the base.
12. Do a final test of the video camera and monitor.

Troubleshooting:

The screen is blank.

- Check that the camera is powered up.
- Check that the power supply's polarity is correct.
- Check that the monitor is powered up.
- Check that the video cable connecting the camera to the monitor is connected properly.

The screen image is dim

- Clean the lens using a soft, clean cloth.
- Check that the light source is adequate.

The screen image has poor contrast.

- Adjust the monitor's contrast knob.
- Change the position of the camera.

The screen image flickers.

- Change the position of the camera.

The screen image is distorted.

- Change the position of the camera.

The camera case is hot.

- Check that the correct power supply is in use.

IR LEDs do not turn on.

- Check that the correct power supply is in use.

IMPORTANT

Users and installers of this product are responsible for ensuring this product complies with all national, state, and local laws and statutes related to monitoring and recording audio and video signals. SECO-LARM will not be held responsible for the use of this product in violation of any current laws or statutes.

WARNING

Stop using the camera if you see a malfunction such as smoke or unusual heat, as it could cause fire or electric shock. Do not open the case of this device, as there are no field-serviceable components inside.

FCC COMPLIANCE STATEMENT

Information to the user: This equipment has been tested and found to comply with the limits for a class B digital device, pursuant to part 15 of the FCC rules. These limits are designed to provide reasonable protection against harmful interference when the equipment is operated in a commercial environment. This equipment generates, uses, and can radiate radio frequency energy and, if not installed and used in accordance with the instruction manual, may cause harmful interference to radio communications. Operation of this equipment in a residential area is likely to cause harmful interference in which case the user will be required to correct the interference at his or her own expense.

WARRANTY: This SECO-LARM product is warranted against defects in material and workmanship while used in normal service for a period of one (1) year from the date of sale to the original customer. SECO-LARM's obligation is limited to the repair or replacement of any defective part if the unit is returned, transportation prepaid, to SECO-LARM.

This Warranty is void if damage is caused by or attributed to acts of God, physical or electrical misuse or abuse, neglect, repair or alteration, improper or abnormal usage, or faulty installation, or if for any other reason SECO-LARM determines that such equipment is not operating properly as a result of causes other than defects in material and workmanship.

The sole obligation of SECO-LARM and the purchaser's exclusive remedy, shall be limited to replacement or repair only, at SECO-LARM's option. In no event shall SECO-LARM be liable for any special, collateral, incidental, or consequential personal or property damages of any kind to the purchaser or anyone else.

NOTICE

The information and specifications printed in this manual are current at the time of publication. However, the SECO-LARM policy is one of continual development and improvement. For this reason, SECO-LARM reserves the right to change specifications without notice. SECO-LARM is also not responsible for misprints or typographical errors.

Copyright © 2010 SECO-LARM U.S.A., Inc. All rights reserved. This material may not be reproduced or copied, in whole or in part, without the written permission of SECO-LARM.

SECO-LARM U.S.A., Inc.

16842 Millikan Avenue, Irvine, CA 92606

Tel: 800-662-0800 / 949-261-2999

Website: www.seco-larm.com

E-mail: sales@seco-larm.com

 PICS N4

MEIV-2x66-xxWQZZ_1011.docx

Free Manuals Download Website

<http://myh66.com>

<http://usermanuals.us>

<http://www.somanuals.com>

<http://www.4manuals.cc>

<http://www.manual-lib.com>

<http://www.404manual.com>

<http://www.luxmanual.com>

<http://aubethermostatmanual.com>

Golf course search by state

<http://golfingnear.com>

Email search by domain

<http://emailbydomain.com>

Auto manuals search

<http://auto.somanuals.com>

TV manuals search

<http://tv.somanuals.com>