

SECO-LARM

Indoor IR Dome Cameras

Manual



Model No.	Resolution	Lens Size
-----------	------------	-----------

NTSC

EV-2221-N3BQ	420 TV lines	3.6mm
EV-2221-NKBQ	420 TV lines	2.8~11mm DC auto iris
EV-2801-N3BQ	540 TV lines	3.6mm
EV-2801-NKBQ	540 TV lines	2.8~11mm DC auto iris

PAL

EV-2221-P3BQ	420 TV lines	3.6mm
EV-2221-PKBQ	420 TV lines	2.8~11mm DC auto iris
EV-2801-P3BQ	540 TV lines	3.6mm
EV-2801-PKBQ	540 TV lines	2.8~11mm DC auto iris



Note: Products with model numbers that end with "Q" or that have a round green "Q" sticker are RoHS

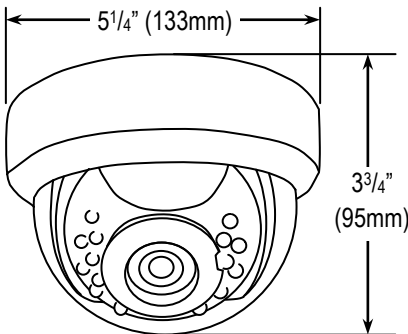
Specifications:

		NTSC	2221-N3BQ	2221-NKBQ	2801-N3BQ	2801-NKBQ
		PAL	2221-P3BQ	2221-PKBQ	2801-P3BQ	2801-PKBQ
Type		Indoor IR Dome Camera				
CCD		1/3" SONY Super HAD II				
Resolution		420 TV lines			540 TV lines	
Lens		3.6mm	2.8~11mm		3.6mm	2.8~11mm
# of IR LEDs		18 (850nm)				
IR range		65ft (20m)				
Pickup elements	NTSC	510x492 pixels			768x494 pixels	
	PAL	500x528 pixels			752x582 pixels	
Sync		Internal				
Video output		1Vp-p composite video, 75Ω				
Minimum illumination		0-lux (LEDs ON)				
S/N ratio		>48dB				
Shutter control		Auto Electric Shutter	DC Auto Iris	Auto Electric Shutter	DC Auto Iris	
Gain control		Auto				
White balance		Auto				
Operating voltage		12VDC ±10%				
Current draw	LEDs OFF	100mA				
	LEDs ON	250mA				
Operating temperature		-4°~122° F (-20°~50° C)				
Dimensions		5 1/4" x 3 3/4" (133x95 mm)				
Weight		10-oz (283g)				

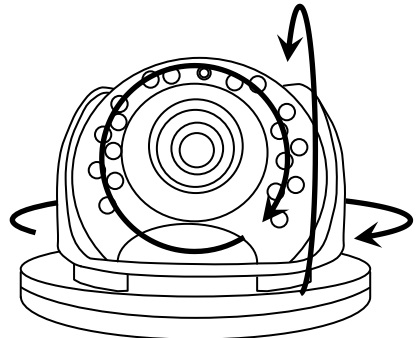
Parts List:

- 1 x Camera
- 3 x Mounting screws
- 1 x DC plug with terminal block
- 1 x Manual
- 3 x Screw anchors

Dimensions:

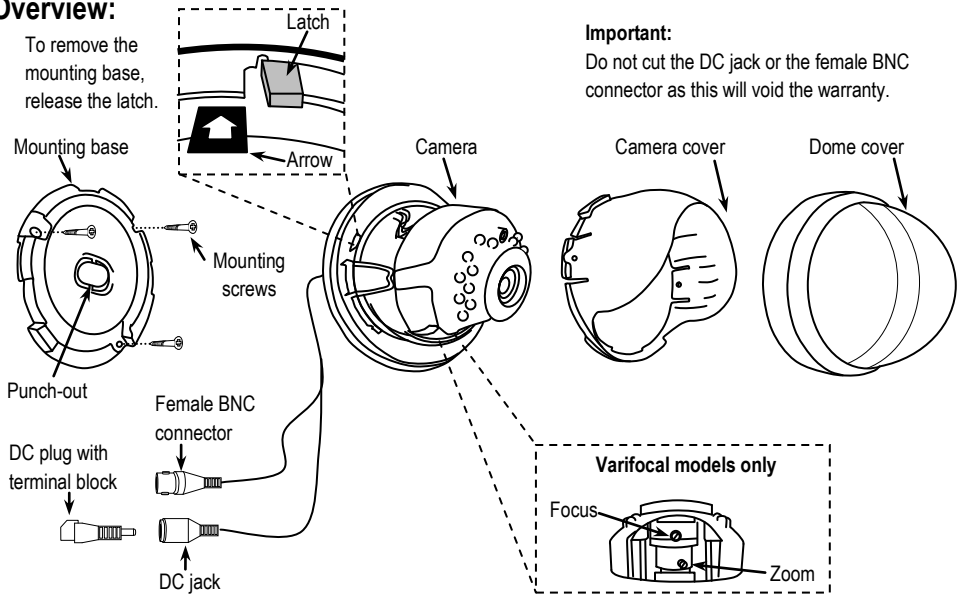


Adjusting the Camera Angle:



Move the camera along its 3 axes to adjust the pan, tilt, or rotation.

Overview:



Before Starting:

1. Please read this manual carefully and keep it for future reference.
 2. Use the camera within given temperature and electrical limits.
 3. Do not aim the LED light directly at the eyes when the LEDs are on.
 4. Do not point the camera at the sun. Heat could damage the camera, even when not in use.
 5. Do not mount the camera in areas exposed to radiation, strong magnetic fields, or strong electrical signals.*
 6. Do not open or disassemble the camera. There are no user-serviceable parts inside.
 7. Do not drop the camera or subject it to strong vibrations.
- * **Note:** Many video monitors produce strong electromagnetic fields close to the display CRT, especially when the monitor is turned on or during de-gaussing, which occurs automatically with many monitors when the monitor is turned on.

Installation:

1. Run hidden cables from the video source and 12VDC power supply to the camera. Connect to the DC jack and female BNC connectors. **Do not cut the DC jack or the female BNC connector as this will void the warranty. If needed, use the included SECO-LARM DC plug with terminal block.**
2. Test to make sure the voltage is correct. Use only 12VDC.
3. Hold the camera against the wall, ceiling, or other mounting surface while watching the monitor to find the best mounting location. Mark that location with a pencil.
4. Remove the dome from the camera by twisting it counterclockwise.
5. Remove the mounting base by releasing the latch indicated by white arrow on the inner rim of the camera.
6. If flush mounting, remove the punch-out in the base and run the wires through the center of the base.
7. Mount the mounting base by using the three included mounting screws to secure it to the wall. If the wall is made of drywall, brick, or similar material, it may be necessary to also use the three included screw anchors.
8. Secure the camera by lining it up with the base and turning the camera clockwise. To line up, make sure the gap in the mounting base is aligned with the wiring notch. The camera will click when locked into place.
9. Adjust camera angle as shown on page 2, *Adjusting the Camera Angle*.
10. Test the video signal.
11. **Varifocal models only:** Adjust the zoom and focus by hand or with a small screwdriver to loosen the knob, and then sliding the knob left or right. **IMPORTANT:** Do not use power tools. Lens damage may result.
12. Reattach the dome to the camera by giving the dome a slight twist. The dome will click when locked into place.
13. Do a final test of the video camera and monitor.

Troubleshooting:

The screen is blank.	<ul style="list-style-type: none">• Check that the camera is powered up.• Check that the power supply's polarity is correct.• Check that the monitor is powered up.• Check that the video cable connecting the camera to the monitor is connected properly.
The screen image is dim	<ul style="list-style-type: none">• Clean the lens using a soft, clean cloth.• Check that the light source is adequate.
The screen image has poor contrast.	<ul style="list-style-type: none">• Adjust the monitor's contrast knob.• Change the position of the camera.
The screen image flickers.	<ul style="list-style-type: none">• Change the position of the camera.
The screen image is distorted.	<ul style="list-style-type: none">• Change the position of the camera.
The camera case is hot.	<ul style="list-style-type: none">• Check that the correct power supply is in use.
IR LEDs do not turn on.	<ul style="list-style-type: none">• Check that the correct power supply is in use.

IMPORTANT

Users and installers of this product are responsible for ensuring this product complies with all national, state, and local laws and statutes related to monitoring and recording audio and video signals. SECO-LARM will not be held responsible for the use of this product in violation of any current laws or statutes.

WARNING

Stop using the camera if you see a malfunction such as smoke or unusual heat, as it could cause fire or electric shock. Do not open the case of this device, as there are no user-serviceable components inside.

FCC COMPLIANCE STATEMENT

Information to the user: This equipment has been tested and found to comply with the limits for a class B digital device, pursuant to part 15 of the FCC rules. These limits are designed to provide reasonable protection against harmful interference when the equipment is operated in a commercial environment. This equipment generates, uses, and can radiate radio frequency energy and, if not installed and used in accordance with the instruction manual, may cause harmful interference to radio communications. Operation of this equipment in a residential area is likely to cause harmful interference in which case the user will be required to correct the interference at his or her own expense.

WARRANTY: This SECO-LARM product is warranted against defects in material and workmanship while used in normal service for a period of one (1) year from the date of sale to the original consumer customer. SECO-LARM's obligation is limited to the repair or replacement of any defective part if the unit is returned, transportation prepaid, to SECO-LARM.

This Warranty is void if damage is caused by or attributed to acts of God, physical or electrical misuse or abuse, neglect, repair or alteration, improper or abnormal usage, or faulty installation, or if for any other reason SECO-LARM determines that such equipment is not operating properly as a result of causes other than defects in material and workmanship.

The sole obligation of SECO-LARM, and the purchaser's exclusive remedy, shall be limited to replacement or repair only, at SECO-LARM's option. In no event shall SECO-LARM be liable for any special, collateral, incidental, or consequential personal or property damages of any kind to the purchaser or anyone else.

NOTICE

The information and specifications printed in this manual are current at the time of publication. However, the SECO-LARM policy is one of continual development and improvement. For this reason, SECO-LARM reserves the right to change specifications without notice. SECO-LARM is also not responsible for misprints or typographical errors.

Copyright © 2010 SECO-LARM U.S.A., Inc. All rights reserved. This material may not be reproduced or copied, in whole or in part, without the written permission of SECO-LARM.

SECO-LARM U.S.A., Inc.

16842 Millikan Avenue, Irvine, CA 92606
Tel: 800-662-0800 / 949-261-2999

Website: www.seco-larm.com
E-mail: sales@seco-larm.com



MIEV-2xx1-NxBQ_1012.docx

Free Manuals Download Website

<http://myh66.com>

<http://usermanuals.us>

<http://www.somanuals.com>

<http://www.4manuals.cc>

<http://www.manual-lib.com>

<http://www.404manual.com>

<http://www.luxmanual.com>

<http://aubethermostatmanual.com>

Golf course search by state

<http://golfingnear.com>

Email search by domain

<http://emailbydomain.com>

Auto manuals search

<http://auto.somanuals.com>

TV manuals search

<http://tv.somanuals.com>