

ENFORCER®

**EV-2240-N3B (NTSC)
EV-2240-P3B (PAL)**

Mini Indoor Dome Camera

Manual



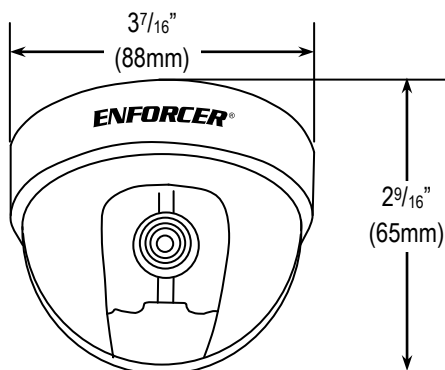
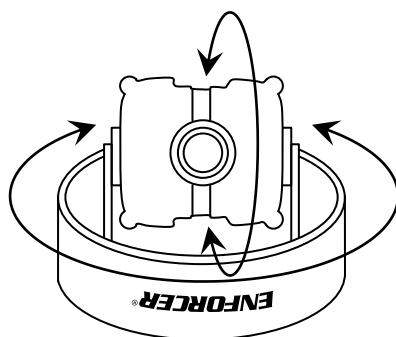
- 480 TV lines
- 3.6mm lens
- Automatic gain control
- Small $3\frac{7}{16}$ " (88mm) diameter
- High dynamic range produces images with accurate colors

Specifications:

	EV-2240-N3B	EV-2240-P3B
Type	Mini Indoor Dome Camera	
Image sensor	1/4" CMOS	
Resolution	480 TV lines	
Lens size	3.6mm	
Pickup elements	510x492 pixels	500x582 pixels
Sync	Internal	
Video output	1Vp-p composite video, 75Ω	
Video output format	NTSC	PAL
S/N ratio	>48dB	
Shutter control (AES)	1/60~1/100,000 s	1/50~1/100,000 s
Gamma correction	0.45	
Gain control	Auto	
Minimum illumination	0.01 Lux/F2.0	
Operating voltage	12VDC ±10%	
Current draw	120mA	
Operating temperature	14°~113° F (-10°~45° C)	
Dimensions	37/16" x 29/16" (88x65 mm)	
Weight	8.8-oz (250g)	

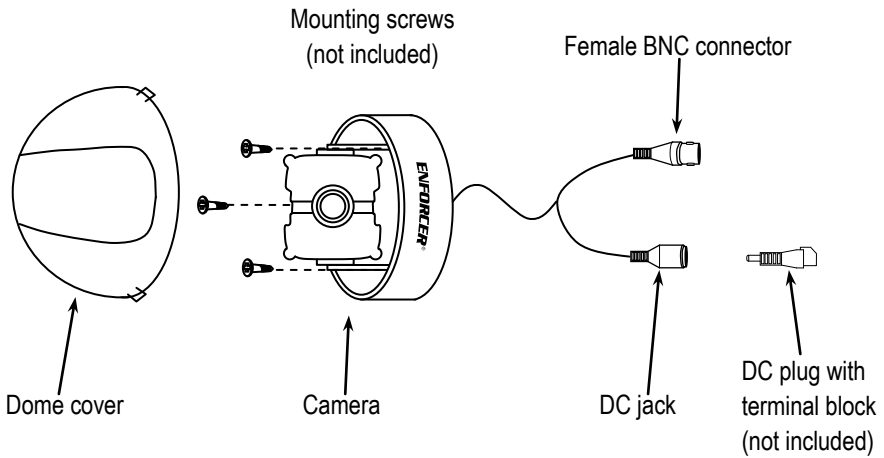
Parts List:

- 1 x Manual
- 1 x Camera

Dimensions:**Adjusting the Lens Angle:**

Remove the dome (see page 3, *Installation*) and adjust the pan or tilt of the Indoor Mini Dome Camera by hand.

Overview:



Before Starting:

1. Please read this manual carefully and keep it for future reference.
 2. Use the camera within given temperature and electricity limits.
 3. Do not point the camera at the sun. Heat could damage the camera, even when not in use.
 4. Do not mount the camera in areas exposed to radiation, strong magnetic fields, or strong electrical signals*
 5. Do not drop the camera or subject it to strong vibrations.
- * **Note:** Many video monitors produce strong electromagnetic fields close to the display CRT, especially when the monitor is turned on or during de-gaussing, which occurs automatically with many monitors when turned on.

Installation:

1. Run hidden cables from the video source and 12VDC power supply to the camera. **Do not cut the DC jack or female BNC connector as this will void the warranty.**
2. Test to make sure the voltage is correct. Use only 12VDC.
3. Carefully twist the dome from the base.
4. Hold the camera against the wall, ceiling, or other mounting surface while watching the monitor to find the best mounting location. Mark that location with a pencil.
5. Mount the mounting base to the wall using 4 mounting screws (not included). If mounting to drywall or brick, it may be necessary to use screw anchors (not included).
6. Adjust the camera angle as needed.
7. Test the video signal.
8. Reattach the dome to the camera.
9. Do a final test of the video camera and monitor.

Troubleshooting:

The screen is blank.

- Check that the camera is powered up.
- Check that the power supply's polarity is correct.
- Check that the monitor is powered up.
- Check that the video cable connecting the camera to the monitor is connected properly.

The screen image is dim.

- Clean the lens using a soft, clean cloth.
- Check that the light source is adequate.

The screen image has poor contrast.

- Change the position of the camera.

The screen image flickers.

- Change the position of the camera.

The screen image is distorted.

- Change the position of the camera.

The camera case is hot.

- Check that the correct power supply is in use.
-

IMPORTANT

Users and installers of this product are responsible for ensuring this product complies with all national, state, and local laws and statutes related to monitoring and recording audio and video signals. SECO-LARM will not be held responsible for the use of this product in violation of any current laws or statutes.

WARNING

Stop using the camera if you see a malfunction such as smoke or unusual heat, as it could cause fire or electric shock. Do not open the case of this device, as there are no field-serviceable components inside.

FCC COMPLIANCE STATEMENT

Information to the user: This equipment has been tested and found to comply with the limits for a class B digital device, pursuant to part 15 of the FCC rules. These limits are designed to provide reasonable protection against harmful interference when the equipment is operated in a commercial environment. This equipment generates, uses, and can radiate radio frequency energy and, if not installed and used in accordance with the instruction manual, may cause harmful interference to radio communications. Operation of this equipment in a residential area is likely to cause harmful interference in which case the user will be required to correct the interference at his or her own expense.

WARRANTY: This SECO-LARM product is warranted against defects in material and workmanship while used in normal service for a period of one (1) year from the date of sale to the original customer. SECO-LARM's obligation is limited to the repair or replacement of any defective part if the unit is returned, transportation prepaid, to SECO-LARM.

This Warranty is void if damage is caused by or attributed to acts of God, physical or electrical misuse or abuse, neglect, repair or alteration, improper or abnormal usage, or faulty installation, or if for any other reason SECO-LARM determines that such equipment is not operating properly as a result of causes other than defects in material and workmanship.

The sole obligation of SECO-LARM and the purchaser's exclusive remedy, shall be limited to replacement or repair only, at SECO-LARM's option. In no event shall SECO-LARM be liable for any special, collateral, incidental, or consequential personal or property damages of any kind to the purchaser or anyone else.

NOTICE

The information and specifications printed in this manual are current at the time of publication. However, the SECO-LARM policy is one of continual development and improvement. For this reason, SECO-LARM reserves the right to change specifications without notice. SECO-LARM is also not responsible for misprints or typographical errors.

Copyright © 2011 SECO-LARM U.S.A., Inc. All rights reserved. This material may not be reproduced or copied, in whole or in part, without the written permission of SECO-LARM.

SECO-LARM U.S.A., Inc.

16842 Millikan Avenue, Irvine, CA 92606
Tel: 800-662-0800 / 949-261-2999

Website: www.seco-larm.com
E-mail: sales@seco-larm.com

 PICSNA

mi-EV-2240-x3B-1101.docx

Free Manuals Download Website

<http://myh66.com>

<http://usermanuals.us>

<http://www.somanuals.com>

<http://www.4manuals.cc>

<http://www.manual-lib.com>

<http://www.404manual.com>

<http://www.luxmanual.com>

<http://aubethermostatmanual.com>

Golf course search by state

<http://golfingnear.com>

Email search by domain

<http://emailbydomain.com>

Auto manuals search

<http://auto.somanuals.com>

TV manuals search

<http://tv.somanuals.com>