

# ENFORCER<sup>®</sup>

## VIDEO

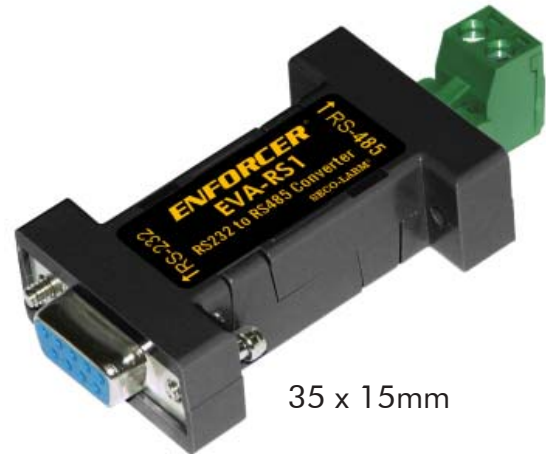
### RS-232 to RS-485 Converter

#### EVA-RS1

Range: 3/4 Mile (1,200 Meters)

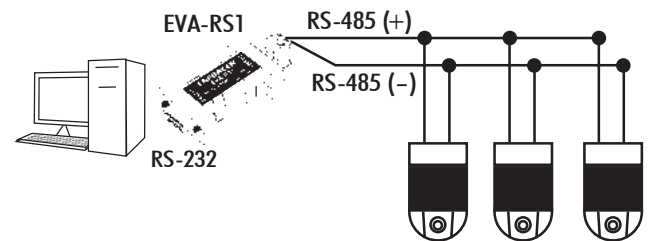
#### Features:

- ▶ 9-pin DB-9 female connector for RS-232 to 2-wire removable Terminal Block for RS-485.
- ▶ Two wire, differential signals, half duplex.
- ▶ No external power supply required. Port powered.
- ▶ Auto-switching baud rate, speed up to 115,200 baud (115.2 kbps) over a distance of 1200 meters.
- ▶ Up to 32 devices may be connected together in RS-485 multipoint operation.
- ▶ No software needed. Automatic send data control.
- ▶ Removable terminal block for ease of installation and trouble shooting.

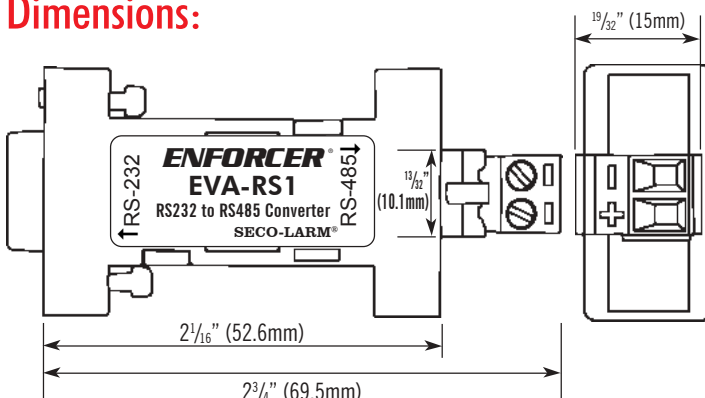


35 x 15mm

#### Sample Installation:



#### Dimensions:



#### Specifications:

Input	RS-232, DB9
Output	RS-485, Removable terminal block
Current consumption	10mA (max)
Transmission range	3,700 ft. / 1200 meters
Connector	32
Power	No power required, port powered
Storage temperature	-22° ~ 158°F (-30° ~ 70°C)
Operating temperature	14° ~ 113°F (-10° ~ 45°C)
Dimensions - W x H x D mm	2 7/8 x 1 5/16 x 5 7/8" (73x33x17mm)

Balunsf.pmd

The SECO-LARM policy is one of continual development. For that reason, SECO-LARM reserves the right to change prices and specifications without notice. SECO-LARM is not responsible for misprints.

**SECO-LARM<sup>®</sup> U.S.A., Inc.,**

16842 Millikan Avenue, Irvine, CA 92606

Tel: 1-800-662-0800 (Domestic U.S. & Canada)

Tel: 1-949-261-2999 (California & International)

Fax: 1-949-261-7326

Email: [info@seco-larm.com](mailto:info@seco-larm.com)

Website: [www.seco-larm.com](http://www.seco-larm.com)

Download from [www.Somanuals.com](http://www.Somanuals.com). All Manuals Search And Download.

## Free Manuals Download Website

<http://myh66.com>

<http://usermanuals.us>

<http://www.somanuals.com>

<http://www.4manuals.cc>

<http://www.manual-lib.com>

<http://www.404manual.com>

<http://www.luxmanual.com>

<http://aubethermostatmanual.com>

Golf course search by state

<http://golfingnear.com>

Email search by domain

<http://emailbydomain.com>

Auto manuals search

<http://auto.somanuals.com>

TV manuals search

<http://tv.somanuals.com>