

SECURITY ENGINEERED MACHINERY

MODEL 135/2

STRIP CUT PAPER SHREDDER



OPERATING & MAINTENANCE INSTRUCTIONS

Please read this manual carefully.
It will answer all your questions regarding installation,
operation and trouble-shooting.

IMPORTANT

**BE SURE TO ADHERE TO ALL SAFETY SUGGESTIONS LISTED.
READ CAREFULLY BEFORE USING**

MANUAL No. 300-35



5 Walkup Drive • Westboro, MA 01581 • (508) 366-1488 • Fax (508) 836-4154 • www.semshred.com
WASHINGTON D.C. • SUWANEE, GEORGIA • SACRAMENTO, CALIFORNIA • IRVINE, CALIFORNIA • IRVING, TEXAS
The world leader in document and sensitive waste destruction solutions

READ CAREFULLY BEFORE USING

The Model 135 is designed for the in-office destruction of paper documents. Please read these operating instructions carefully before operating. Proper care and use of your paper shredder will insure many years of trouble free operation.

INSTALLATION & SET UP

The Model 135 can be installed in any room equipped with a 120V/1/60 HZ electrical service.

- Observe voltage rating when inserting plug.
- Install the paper shredder so that the main connector is easily accessible.
- Shredder must be operated only in upright position.
- Set up paper shredder so that the ventilation slots are unobstructed.

Once shredder is set up, **remove wing screws** used to secure the unit during transportation.

OPERATION

1. Press the rocker switch to energize the electronics. A green light indicates the switch has been activated.
2. A photocell in the middle of the feed opening allows the machine to automatically turn on when paper is passed in front of it.
3. To “stop” or “reverse” the shredder, press the rocker switch in the opposite direction.
4. If the door is open, the machine will automatically shut off. A red light indicates that feature has been activated.

FEEDING

Feed **only paper** into the shredder. Paper may be fed at the rate of up to 22 sheets at a time. **Do not feed** plastics, paper clips or hard materials into the shredder.

OVERLOADING

When the cutting system is “overloaded”, switch the shredder off, then into reverse to clear the cutting system. To continue shredding, reduce the amount of material being destroyed and restart the shredder.

CAUTION: In the event of a severe overload or jam, **DO NOT** attempt to clear the jam by alternately switching from forward to reverse constantly. This action may result in motor or drive system damage, which cannot be repaired within the scope of the guarantee. In addition, the resulting situation may require a service technician to manually clear the overfeed.

THERMAL OVERLOAD CUT-OUT

The Model 135 Shredder is protected against excessive current draw with a built-in thermo-element, which causes it to switch off automatically. If an overload should happen, shut off the shredder and allow 10 to 20 minutes for the motor to cool off.

LUBRICATION

- a) If shredding 10-15 minutes a day, oil cutters once a week.
- b) If shredding 2-3 hours a day, oil cutters once a day.
- c) For continuous shredding, oil every 15 minutes after reversing cutters to clean out machine.
- d) Do not oil a running machine.
- e) After oiling, allow shredder to run for a short period of time to ensure even distribution of the oil.

IMPORTANT: To prevent jamming and/or clogging, it is necessary to periodically reverse the cutters to clean them out, then lubricate the cutting unit.

SPECIFICATIONS

Feed Opening	10" Wide
Sheets Per Feed	Up to 22 Sheets
Feed Speed	24 FPM
Shred Size	1/4"
Motors	9/16 HP, 120V/1/60 HZ, 5.5 Amps.
Dimensions	31" H x 18" W x 14" D
Bag Capacity	2 CUBIC FEET
Net Weight	52 LBS

OPTIONAL ITEMS

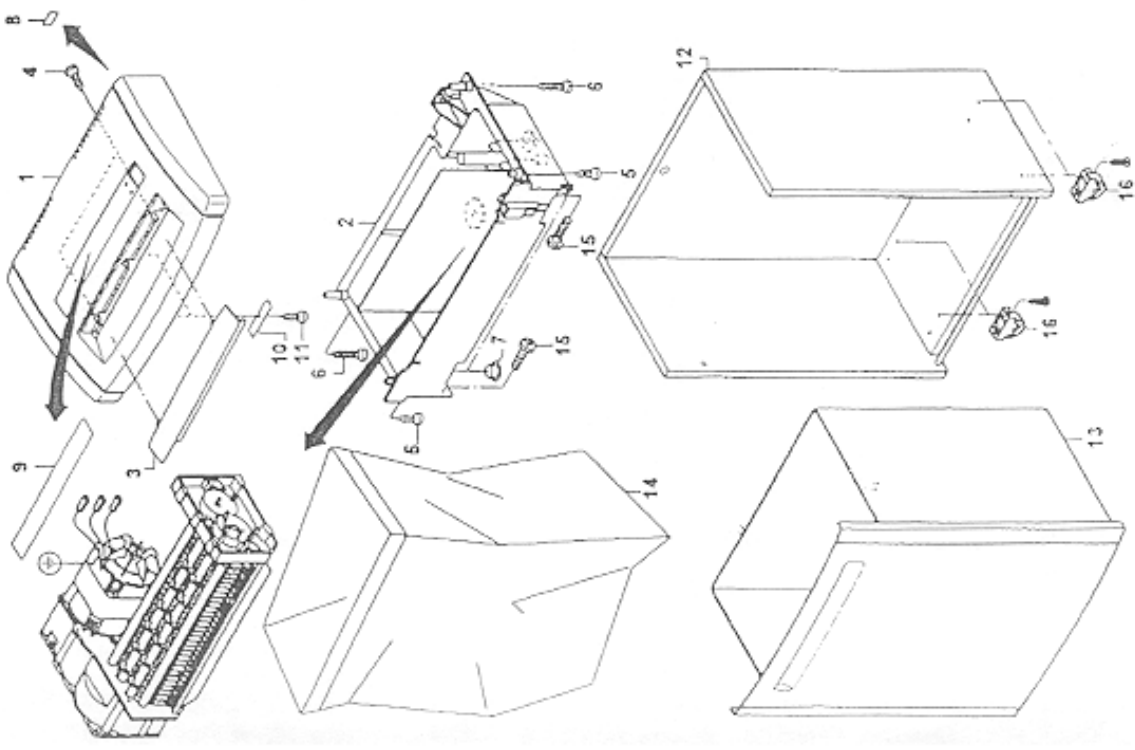
Box of 100, Plastic Waste Bags #132 Product No. 640SB132
Case of 8, One Pint Bottles Lubricating Oil Product No. 649OIL8
Case of 16, One Pint Bottles Lubricating Oil Product No. 649OIL16

CONTACT:

Security Engineered Machinery
P.O. Box 1045
5 Walkup Drive
Westboro, MA 01581

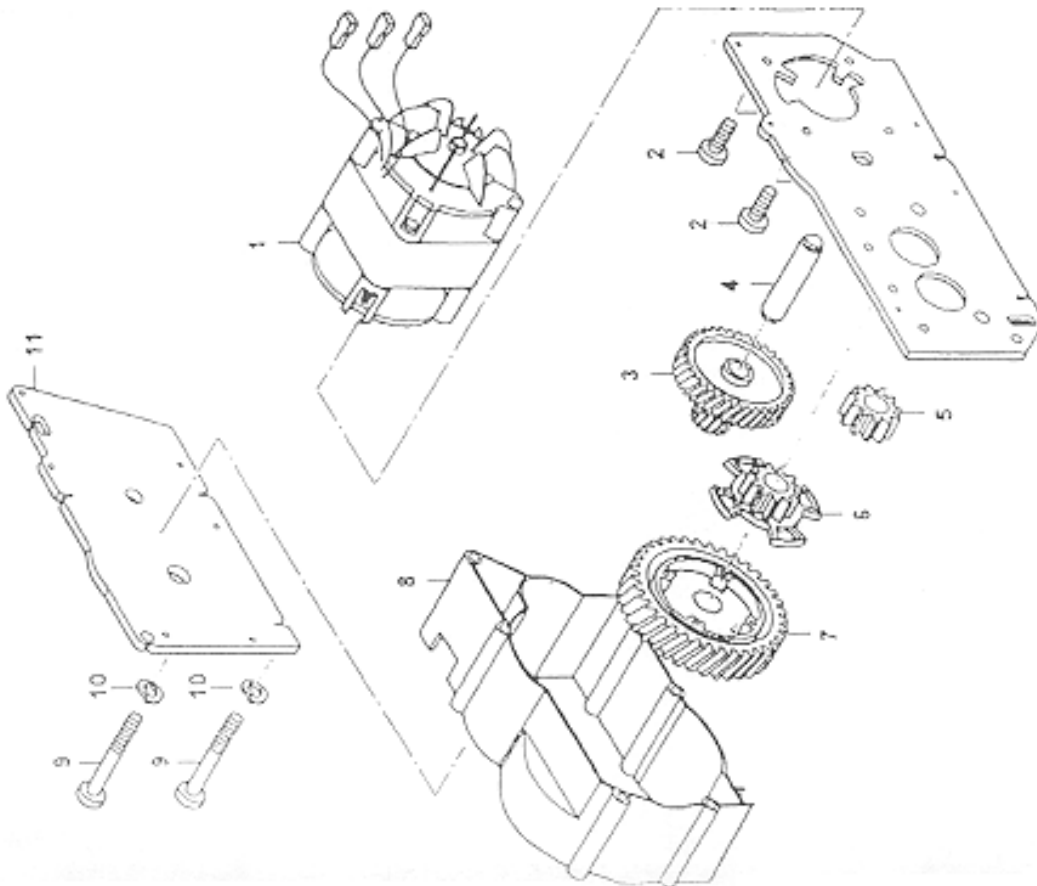
Tel: 800/225-9293
Fax: 508/836-4154
Web Site: www.semshred.com
Email: info@semshred.com

POS	Part-No.:	Description	Remark	Qty.
1	1133050111	Housing top		1
2	1270050050	Housing bottom		1
3	1133050150	Safety element	basalt gray	1
4	1133050400	Ejot Pt screw	KB 30x25 WN 1412	2
5	1116050210	Self tapping screw	KB 40x25 WN 1411	2
6	1116050200	Self tapping screw	KB 40x40 WN 1411	2
7	1133050070	Cap	8 mm	2
8	1442999300	Label	Disconnect from main	1
9	1273999100	Machine label	SEM 135P	1
10	1111050010	Plate		2
11	1116050215	Self tapping screw	KA 40x10 WN 1411	2
12	1133070010	Bottom frame		1
13	1133070250	Paper basket		1
14	640SB132	PE cut material bag		1
15	1212450900	Screw	M4x12	2
16	1133070100	Roller		4



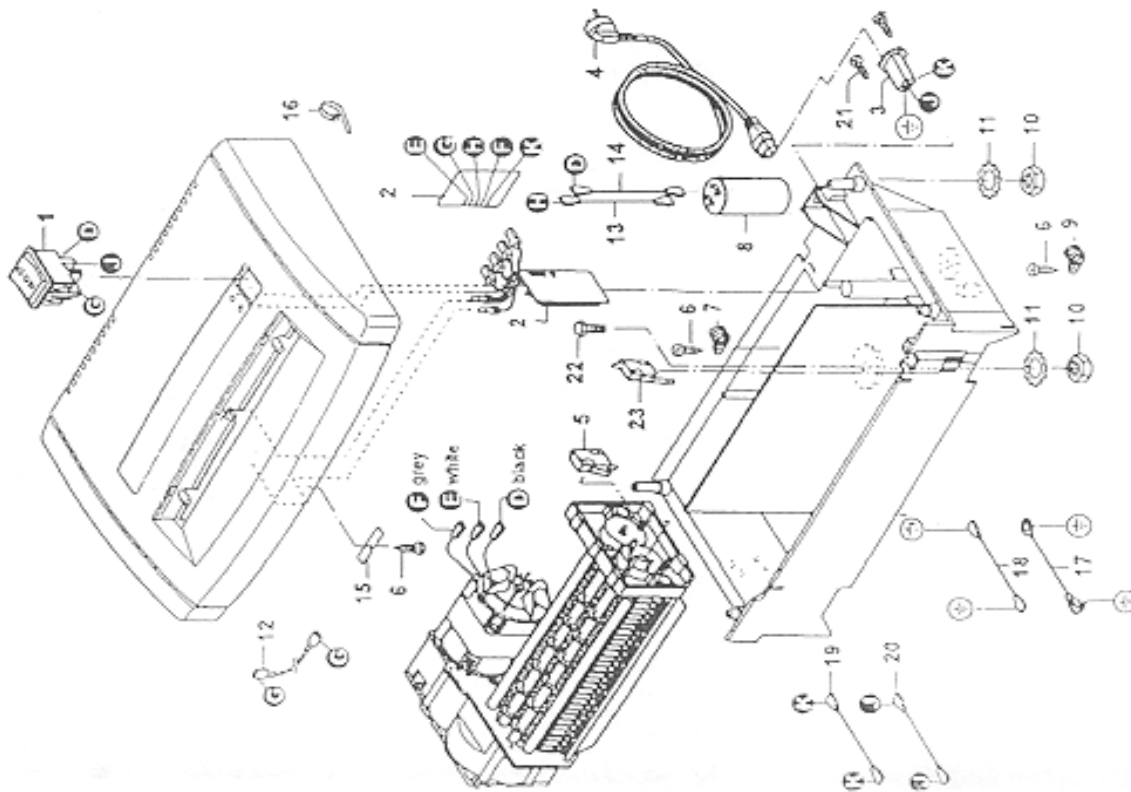
Drive

POS	Part-No.:	Description	Remark	Qty.
1	1270500000	Motor.....	220-240V/50/60 Hz.....	1
2	9917985032	Cheese head screw.....	M5x10.....	4
3	1270030010	Double toothed wheel.....	z=65/z=13.....	1
4	1270030020	Clevis pin.....		1
5	1270030050	Toothed wheel.....	z=14; m=2.5.....	1
6	1270030040	Toothed wheel.....	z=14; m=2.5.....	1
7	1270030030	Toothed wheel.....	z=50; m=2.....	1
8	1270030060	Frame.....		1
9	9917500003	Screw.....	M4x55.....	6
10	9910127004	Spring washer.....	A4.....	6
11	1270030070	Cover plate.....		1



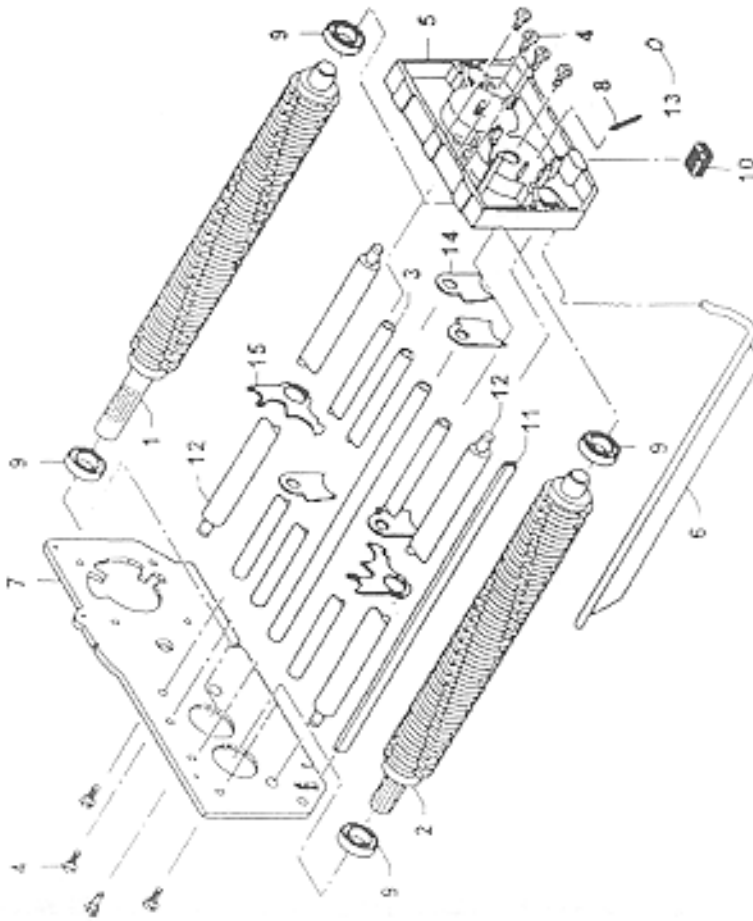
Electric

POS	Part-No.:	Description	Remark	Qty.
1	1110520010	Rocker switch		1
2	111505003	PC board	18-260V/50/60 Hz.	1
3	1108515200	Appliance couplers		1
4	1100540200	Main supply		1
5	1212520000	Snap action switch		1
6	1116050215	Self tapping screw	KA 40x10 WN 1411	4
7	1110550100	Cable clip		1
8	1133560010	Capacitor	10 µF; 220-240V/50 Hz	1
9	1100550250	Cable clip		5
10	9910936008	Hexagon nut	M8	2
11	9916797004	Toothed lock washer	18.4 D	2
12	1116540030	Cable	gray; 220-240V	1
13	1112540020	Cable	brown; 220-240V	1
14	1116540010	Cable	blue; 220-240V	1
15	1111050010	Plate tie	small	2
16	1100550140	Cable	green-yellow; 220-240V	1
17	1133540101	Cable	green-yellow; 220-240V	1
18	1437540041	Cable	blue; 220-240V	1
19	1116540010	Cable	blue; 220-240V	1
20	1133540120	Cable	brown; 220-240V	1
21	1212050300	Ejot Pt screw	KA 30x10 WN 1413	2
22	9910933123	Hexagon nut screw	M8x16	1
23	1212520010	Snap action switch		1



Cutting Head

POS	Part-No.:	Description	Remark	Qty.
1	1274020450	Cutter roll	3.9x30 mm; 333.5 mm	1
2	1274020400	Cutter roll	3.9x30 mm; 307.5 mm	1
3	1273020600	Distance rod		4
4	9917985032	Cheese head screw	M5x10	8
5	1273020700	Bearing plate	right	1
6	1270020600	Flap		1
7	1273020650	Bearing plate	left	1
8	1116020610	Tension spring		1
9	9926003001	Groove ball bearing	6003.2 RSR	4
10	1270020900	Rubber bearing		4
11	1273020100	Flat		1
12	1273020500	Stripper rod		2
13	9910471008	Locking ring	8x0.8	2
14	1274020080	Stripper	top; 3 mm	22
15	1274020090	Stripper	bottom; 2 mm	67



Free Manuals Download Website

<http://myh66.com>

<http://usermanuals.us>

<http://www.somanuals.com>

<http://www.4manuals.cc>

<http://www.manual-lib.com>

<http://www.404manual.com>

<http://www.luxmanual.com>

<http://aubethermostatmanual.com>

Golf course search by state

<http://golfingnear.com>

Email search by domain

<http://emailbydomain.com>

Auto manuals search

<http://auto.somanuals.com>

TV manuals search

<http://tv.somanuals.com>