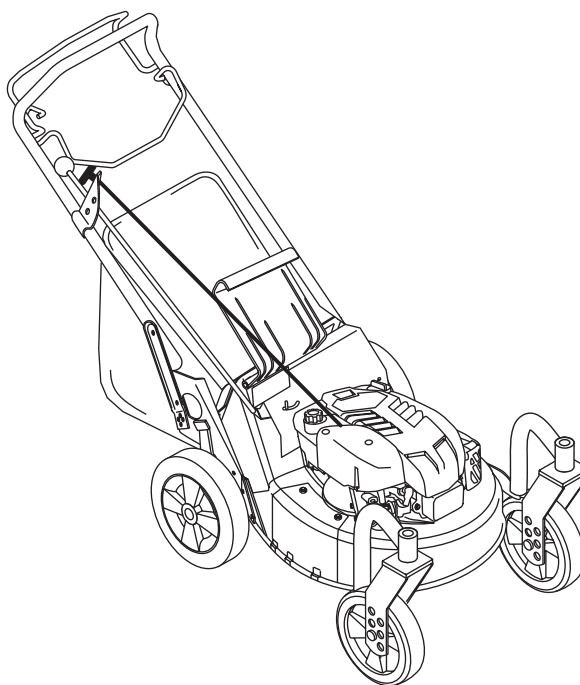




# Walk Behind Lawn Mower

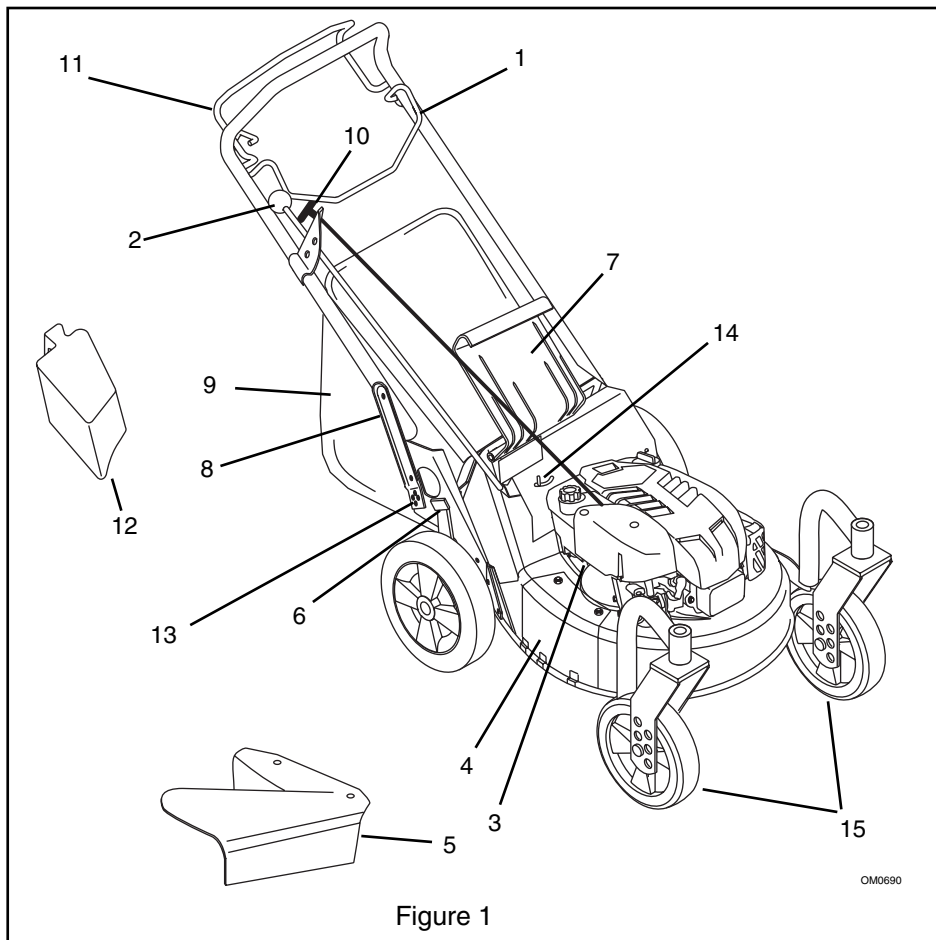
## Owner/Operator & Parts Manual

Model  
907254 - LM21SW





# CONTROLS AND FEATURES



## FRANÇAIS

1. Commande moteur
2. Sélecteur de vitesse
3. Poire d'amorçage
4. Plaque de fermeture latérale
5. Déflecteur de décharge latérale
6. Leviers de hauteur de coupe (réglage par les roues)
7. Trappe arrière
8. Guidon réglable et pliable
9. Sac à herbe
10. Poignée du démarreur manuel
11. Commande de l'entraînement des roues
12. Déflecteur à paillis Mulch
13. Trous de réglage du guidon
14. Indicateur de vitesse

## ESPAÑOL

1. Control del motor
2. Selector de velocidad
3. Cebador
4. Cubierta de la descarga lateral
5. Deflector de la descarga lateral
6. Palancas de la altura de corte (ajustadores de la rueda)
7. Puerta trasera
8. Manillares ajustables y plegables
9. Bolsa de recolección del césped
10. Manilla de arranque de retroceso
11. Control de la transmisión de la rueda
12. Tapón Mulch
13. Agujeros para el ajuste del manillar
14. Indicador de velocidad

## ENGLISH

1. Engine Control
2. Speed Selector (Self-propelled)
3. Primer (Briggs Engine)
4. Side Discharge Cover
5. Side Discharge Deflector
6. Cutting Height Levers (2 Rear Wheel Adjusters, 2 Front Wheel Adjusters)
7. Rear Door
8. Adjustable and Folding Handlebars
9. Grass Bag
10. Recoil
11. Wheel Drive Control
12. Mulch Plug
13. Handlebar Adjustment Holes
14. Speed Indicator (Self-propelled)

## ⚠ WARNING ⚠

The engine exhaust from this product contains chemicals known to the State of California to cause cancer, birth defects or other reproductive harm.

OL4030



# TABLE OF CONTENTS

<b>Controls and Features</b> . . . . .	<b>3</b>	<b>Service and Adjustments</b> . . . . .	<b>18</b>
<b>Introduction</b> . . . . .	<b>5</b>	<b>Storage</b> . . . . .	<b>20</b>
<b>Safety</b> . . . . .	<b>6</b>	<b>Troubleshooting</b> . . . . .	<b>21</b>
<b>Assembly</b> . . . . .	<b>10</b>	<b>Specifications</b> . . . . .	<b>21</b>
<b>Operation</b> . . . . .	<b>11</b>	<b>Warranty</b> . . . . .	<b>22</b>
<b>Maintenance</b> . . . . .	<b>15</b>	<b>Service Parts</b> . . . . .	<b>65</b>

## INTRODUCTION

### THE MANUAL

Before operation of unit, carefully and completely read your manuals. The contents will provide you with an understanding of safety instructions and controls during normal operation and maintenance.

All reference to left, right, front, or rear are given from the operation position, facing the direction of forward travel.

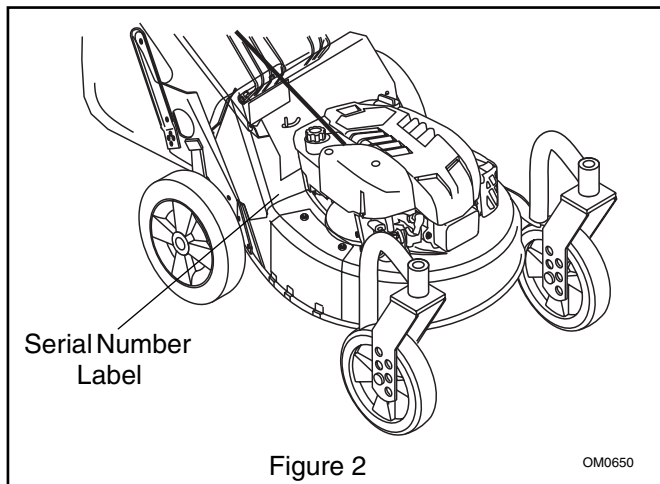
### SERVICE AND REPLACEMENT PARTS

When ordering replacement parts or making service inquiries, know the Model and Serial numbers of your unit and engine.

Numbers are located on the product registration form in the unit literature package. They are also printed on a serial number label, located on the frame of your unit (Figure 2).

- Record Unit Model and Serial numbers here.

- Record Engine Model and Serial numbers here.



### PRODUCT REGISTRATION

A warranty card must be filled out, signed, and returned at time of purchase. This card activates the warranty. Claims meeting requirements during limited warranty period will be honored.

### UNAUTHORIZED REPLACEMENT PARTS

Use only Ariens replacement parts. The replacement of any part on this vehicle with anything other than an Ariens authorized replacement part may adversely affect the performance, durability, or safety of this unit and may void the warranty. Scotts and Ariens disclaim liability for any claims or damages, whether warranty, property damage, personal injury or death arising out of the use of unauthorized replacement parts.

### DELIVERY

**Customer Note:** If you have purchased this product without complete assembly and instruction by your retailer, it is your responsibility to:

- Read and understand all assembly instructions in this manual. If you do not understand or have difficulty following the instructions, contact your nearest Ariens Dealer for assistance. To locate your nearest Ariens Dealer, call 1-877-466-0812.

**WARNING:** Improper assembly or adjustments can cause serious injury.

- Do not operate the unit unless all controls function as described in this manual. Before attempting to operate your unit:
  1. Make sure all assembly has been properly completed.
  2. Understand all Safety Precautions provided in the manuals.
  3. Review control functions and operation of the unit.
  4. Review recommended lubrications, maintenance and adjustments.
  5. Review Limited Warranty Policy.
  6. Fill out Original Purchaser Registration Card and return the card to Ariens Company.

## DISCLAIMER

This product has been manufactured by Ariens. Scotts and Ariens reserve the right to discontinue, make changes to, and add improvements upon its products at any time without public notice or obligation. The descriptions and specifications contained in this manual were in effect at printing. Equipment described within this manual may be optional. Some illustrations may not be applicable to your unit.

## SAFETY

### SAFETY ALERTS



Look for these symbols to point out important safety precautions. They mean:

**Attention!**



**Personal Safety Is Involved!**

**Become Alert!**

**Obey The Message!**

The safety alert symbol is used in decals on the unit and with proper operation procedures in this manual. Understand the safety message. It contains important information about personal safety on or near the unit.



**DANGER: IMMINENTLY HAZARDOUS SITUATION!** If not avoided, WILL RESULT in death or serious injury.



**WARNING: POTENTIALLY HAZARDOUS SITUATION!** If not avoided, COULD RESULT in death or serious injury.



**CAUTION: POTENTIALLY HAZARDOUS SITUATION!** If not avoided, MAY RESULT in minor or moderate injury. It may also be used to alert against unsafe practices.

### NOTATIONS

**NOTE:** General reference information for proper operation and maintenance practices.

**IMPORTANT:** Specific procedures or information required to prevent damage to unit or attachment.

### PRACTICES AND LAWS

Practice usual and customary safe working precautions, for the benefit of yourself and others. Understand and follow all safety messages. Be alert to unsafe conditions and the possibility of minor, moderate, or serious injury or death. Learn applicable rules and laws in your area.

### REQUIRED OPERATOR TRAINING

Original purchaser of this unit was instructed by the seller on safe and proper operation. If unit is to be used by someone other than original purchaser; loaned, rented or sold, ALWAYS provide this manual and any needed safety training before operation.

# SAFETY DECALS AND LOCATIONS

ALWAYS replace missing or damaged Safety Decals.  
Refer to Figure 3 for Safety Decal locations.

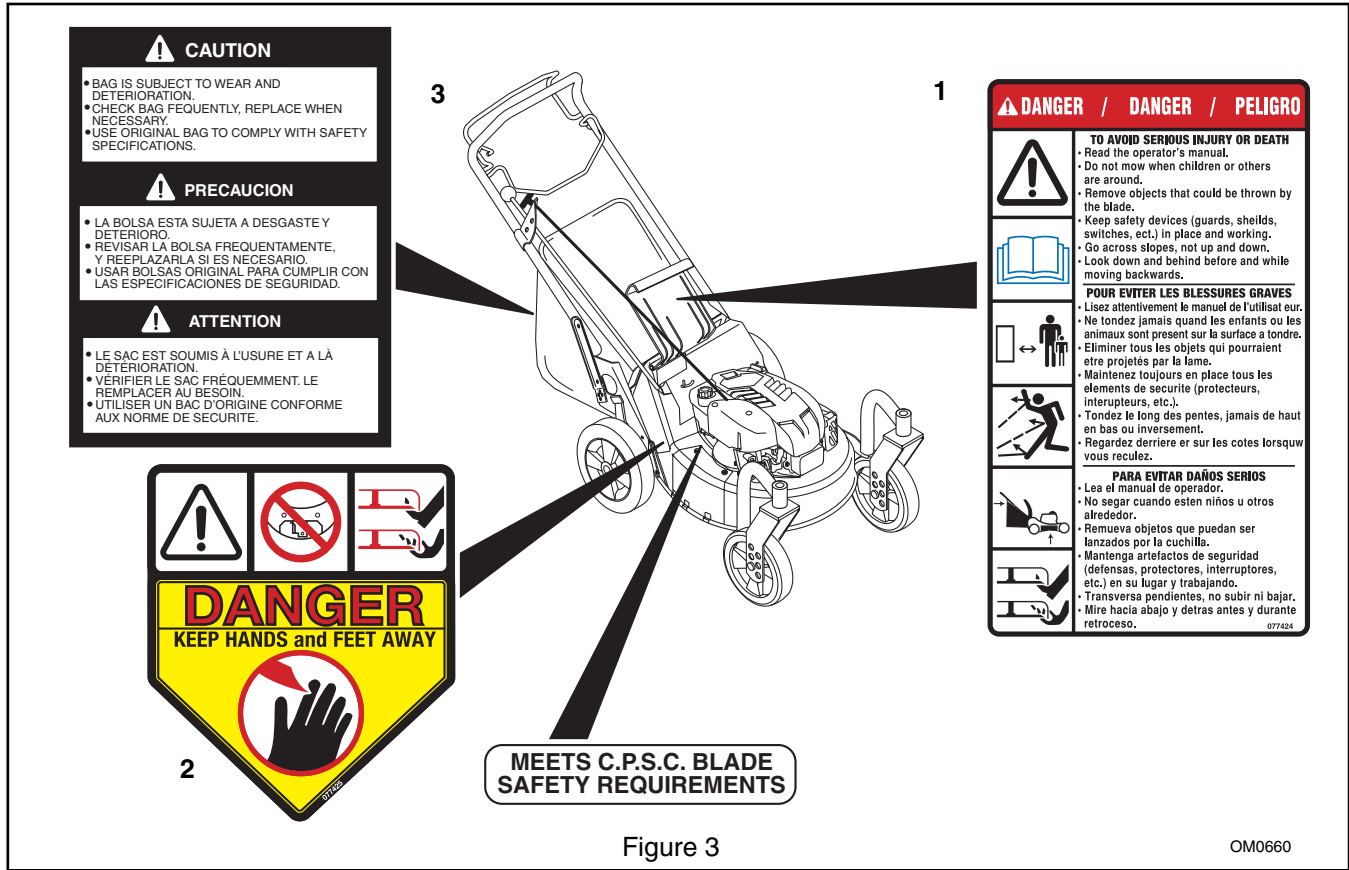


Figure 3

OM0660

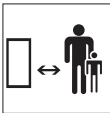
## 1. DANGER

### TO AVOID SERIOUS INJURY OR DEATH



OL1801

Before operating unit, completely read and understand all manuals provided.



OL4370

Keep people and pets away when operating unit. Keep children out of the work area and under the watchful care of a responsible adult.



OL0910

Always stand clear of discharge area. DO NOT direct discharge toward other people. Remove objects that could be thrown by the blade. DO NOT operate mower over gravel and hard surfaces.



OL4540

DO NOT operate mower unless guards are in operating position.



OL3030

ROTATING BLADE! Keep hands and feet away.

- Go across slopes, not up and down.
- Look down and behind before and while moving backwards.

## 2. DANGER

### KEEP HANDS AND FEET AWAY



OL4530

- Do not operate mower unless guards are in operating position.

## 3. CAUTION!

- Bag is subject to wear and deterioration.
- Check bag frequently, replace when necessary.
- Use original bag to comply with safety specifications.

## **SAFETY RULES**

### **Operational**

Inspect unit and work area before operation.

Clear work area of objects which might be picked up and thrown. Remove all stones, sticks, wires, and other foreign objects. Tall grass can hide obstacles.

Only Trained Adults may operate unit. Training includes actual operation.

Keep equipment in good condition.

ALWAYS keep discharge cover in place.

NEVER operate the engine with the Rear Door open unless the Grass Bag is in place.

When mulching, the Side Discharge Opening Cover must be installed and the Rear Door fully closed whenever the engine is operating.

DO NOT pull mower backwards unless absolutely necessary. Look down and back before and while moving backwards.

DO NOT start the engine or operate mower unless either the Side Discharge Opening Cover or the Side Discharge Deflector is installed.

Keep the area of operation clear of all persons, children and pets.

ALWAYS clear area before operation to avoid thrown objects.

Stop mower if anyone enters the area.

Keep safety devices or guards in place and functioning properly. NEVER modify or remove safety devices.

ALWAYS keep hands away from all rotating parts during operation.

Do not put hands or feet near or under rotating parts. Keep clear of the discharge opening and mower pan at all times. NEVER open the Rear Door without the Grass Bag in place when the engine is operating.

ALWAYS keep feet and hands away from all rotating parts during operation. Rotating parts can cut off body parts.

DO NOT mow at too fast a rate. DO NOT change engine governor setting or over-speed the engine.

ALWAYS operate unit when there is good visibility and light.

Use extra care when approaching blind corners, shrubs, trees, or other objects which may obscure vision.

ALWAYS be sure of your footing.

Do not operate mower in wet grass. Always be sure of your footing. Keep a firm hold on handlebar. Walk, never run.

If equipment vibrates abnormally, stop engine at once, wait for moving parts to stop and remove wire from spark plug. Repair any damage before restarting unit.

Avoid uneven work areas and any rough terrain.

Be familiar with area of operation. Stay alert for holes, rocks, roots, and hidden hazards in area of operation. Keep away from drop-offs, ditches or embankments. Operator could lose footing or balance.

DO NOT operate on steep slopes.

NEVER leave unit unattended on a slope. Chock wheels if parking on a slope.

Mow across the face of slopes, never up and down. Be especially cautious when changing direction on slopes.

Remove the key when parking.

Take all possible precautions when leaving unit unattended.

ALWAYS shut off engine and remove spark plug wire to prevent accidental starting or unauthorized use.

### **Personal**

Keep children out of work area and under the watchful care of an adult.

NEVER allow children to operate mower.

Turn the mower off if children enter the area.

NEVER direct discharge toward bystanders. The operator is responsible for the safety of bystanders.

Wear adequate safety gear, protective gloves and footwear.

Wear sturdy footwear. DO NOT operate mower barefoot or when wearing open sandals or canvas shoes.

Always wear safety goggles or safety glasses with side shields when operating mower.

NEVER wear loose clothing, jewelry or long hair that may get caught in rotating parts. Protect eyes, face and head from objects that may be thrown from unit.

NEVER operate after or during the use of medication, drugs or alcohol. Complete and unimpaired attention is required when operating unit.

ALWAYS stand clear of discharge when operating unit.

Do not operate mower on gravel or on loose material such as sand. Stop mower when crossing gravel drives, walks, or roads. Objects may be picked up and thrown, causing damage or injury.

DO NOT touch parts which are hot. Allow parts to cool.

Moving parts can cut or amputate fingers or a hand. Wrap blade(s) or wear gloves to service.

ALWAYS keep hands away from all pinch points.

Fumes from the engine exhaust can cause death or serious injury. DO NOT run engine in an enclosed area.



## Service and Adjustments

NEVER attempt to make any adjustments to unit while engine is running. Stop engine and wait for all moving parts to stop before servicing (except where specifically recommended).

DO NOT make cutting height wheel adjustments while the engine is running.

On self-propelled models, the wheel drive control will cause the forward movement of the mower to stop. If this feature fails to operate, disconnect spark plug wire and repair before using unit. Wheel drive must be disengaged when starting engine.

Fuel is highly flammable and its vapors can explode. ONLY use approved fuel containers.

- NO Smoking!
- NO Sparks!
- NO Flames!
- Allow engine to cool before filling fuel tank.

Check fuel supply before starting engine.

DO NOT fill gasoline tank indoors, when engine is running, or while engine is still hot.

Allow engine to cool several minutes before removing fuel cap.

Replace gasoline tank cap securely and clean up any spilled fuel before starting engine.

Stop engine, wait for moving parts to stop, remove ignition wire and secure away from spark plug before attempting to: unclog, repair, adjust, inspect or clean unit.

To reduce fire hazard and overheating, keep equipment free of grass, leaves, debris or excessive lubricants.

## Maintenance

Follow engine manufacturer's safety instructions when servicing engine.

Keep all nuts, bolts, and screws tight and be sure equipment is in safe working condition. Check all hardware at regular intervals, especially blade attachment bolts.

Use only replacement parts designed for your unit. See your Ariens Dealer.

Worn out mufflers are more than just a noise nuisance and should be replaced immediately. Continued use could result in fire or explosion.

ALWAYS block wheels and know all jack stands are strong and secure and will hold weight of unit during maintenance.

Check grass bag for wear, damage, and/or deterioration. Replace only with Ariens original equipment replacement part for safety.

## Storage

Allow engine to cool before storing in any enclosure.

Refer to Storage Section of this Owner's Manual for important instructions if unit is to be stored for extended periods.

ALWAYS clean unit before extended storage. See engine manual for proper storage.

DO NOT store unit inside a building with fuel in the fuel tank where any ignition sources are present.

## Safety Interlock System

Engine/Blade Control feature on mower will cause engine and blade to stop whenever operator releases control on handlebar. If feature fails to operate, disconnect spark plug wire and adjust or have it repaired before using unit.

## Accessories

Use only accessories which have been approved by Ariens and are properly installed.

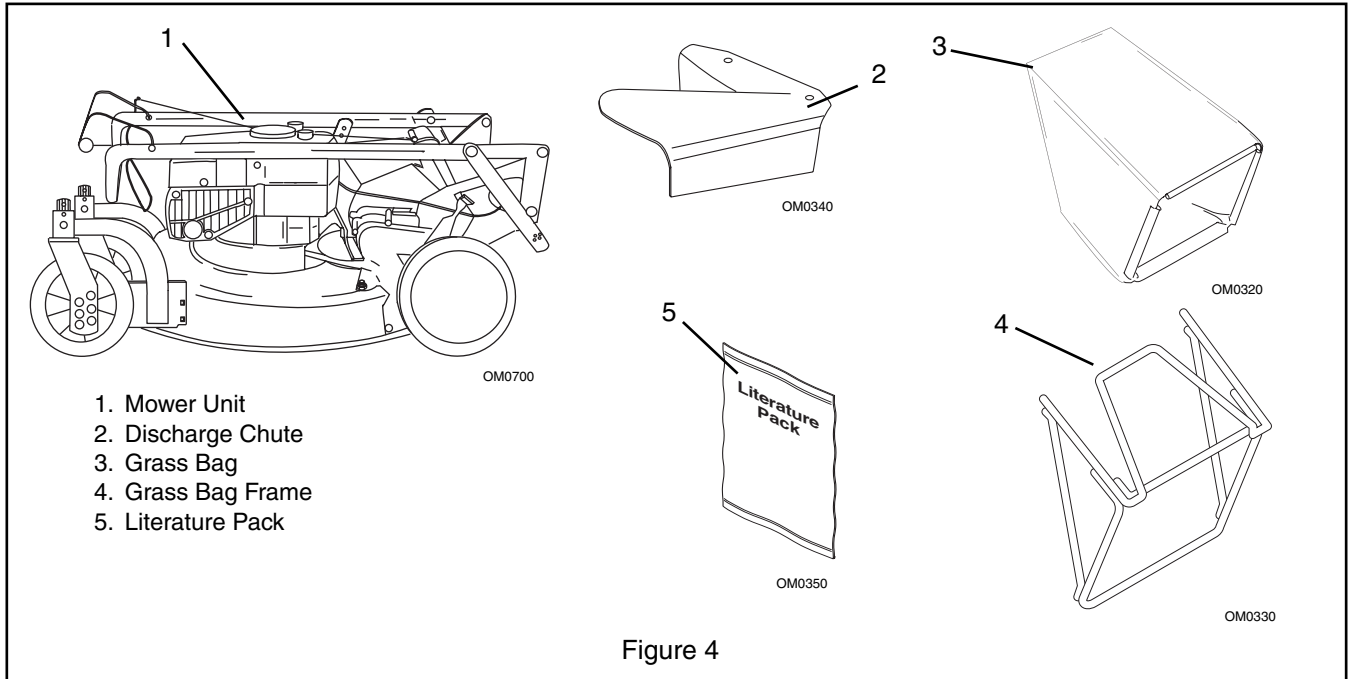
## Spark Arrestor

This product is equipped with an internal combustion engine. DO NOT use on or near any unimproved, forest or brush covered land unless the exhaust system is equipped with a spark arrestor meeting applicable local, state or federal laws. A spark arrestor, if used, must be maintained in effective working order by the operator. See your Ariens Dealer or engine manufacturer's service center.

# ASSEMBLY

## TO REMOVE UNIT FROM CARTON

1. Cut off top of carton.
2. Remove front and rear inserts and literature pack.
3. Cut out back of carton and roll unit out.
4. Remove protective packaging materials.



## ASSEMBLY

1. Unfold and adjust handlebar.
2. The Speed Selector rod is shipped on the handlebar with hardware in position. Remove hair pin, insert bent end of rod through hole in swivel of speed control bell crank, and retain with hair pin.
3. Assemble grass bag onto bag frame.
4. Configure mower for bagging, side discharge or mulching. See *Mower Configurations* in *Operation* Section.
5. Check the Engine/Blade Control feature. Engine and blade must stop within 3 seconds whenever control handlebar is released.
6. Fill fuel tank. See *Operation* Section.

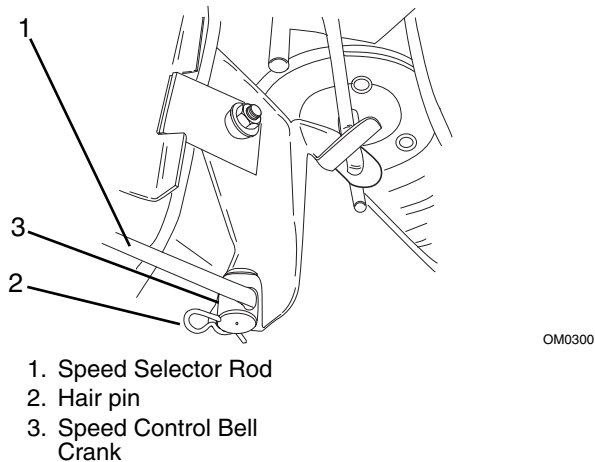


Figure 5

# OPERATION

## CONTROLS AND FEATURES

See Figures 1 and 6 for Controls and Features.

### Engine/Blade Control



**WARNING:** DO NOT attempt to start your engine at this time. Familiarize yourself with controls to see what they do and how they work. Thoroughly read and understand entire Operators Manual first.



**CAUTION:** Check function of Engine/Blade Control regularly. Improper function of control could cause injury.

The Engine Control must be held against the handlebar in order to start the engine as well as during mowing operations to keep the engine running.



Releasing the control during operation stops the engine and blade.

### Handlebar

Handlebar adjusts to four positions by selecting holes in braces. Select a safe, comfortable height and place pin through hole in brace that is closest to that height. Refer to Adjustment Section for instructions.

### Recoil Starter Handle

When pulled, handle will turn engine over.

### Cutting Height – Standard Models



**DANGER:** To avoid inadvertent blade contact, NEVER attempt to make any cutting height adjustment while engine is running.



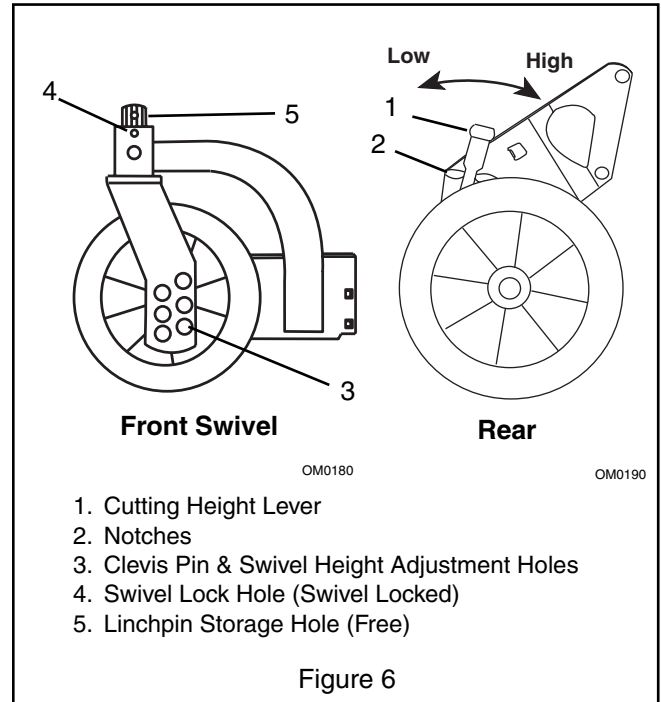
**CAUTION:** On self-propelled models, both rear wheels must be positioned at same height or traction drive may not clutch or operate properly.

To change cutting height, move cutting height levers one notch at a time on each wheel until desired height of cut is obtained. (Figure 6)

**NOTE:** Each Wheel on mower must be set at the same height for a level cut.

### Cutting Height Settings Chart

Notch	Cut grass length
LOW	1" (25 mm)
2	1-3/8" (35 mm)
3	1-3/4" (45 mm)
4	2-1/4" (57 mm)
5	2-3/4" (70 mm)
HIGH	3-1/4" (83 mm)



## OPTIONAL CONTROLS

See Figures 1 and 6.

### Cutting Height – Swivel Models

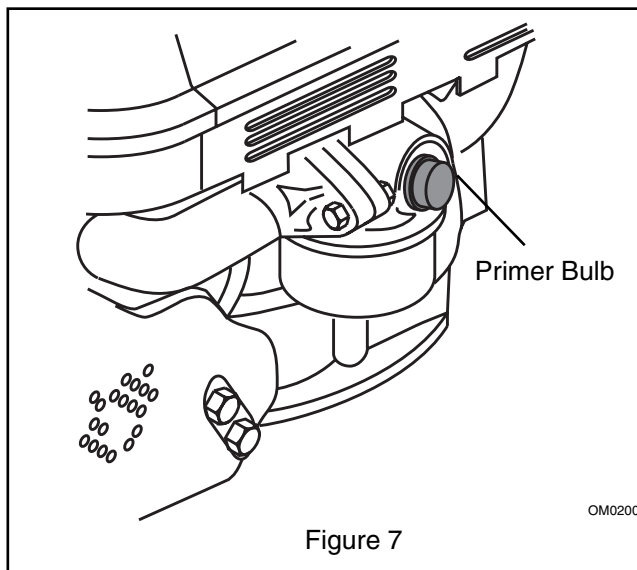
**CAUTION:** On swivel wheel models, when mowing on slopes it is recommended that the linchpin be positioned through the swivel lock hole. If wheels are in the swivel position and control handles are released the mower may “free roll” downhill. Never mow on steep slopes.

To change front wheel cutting height, insert clevis pin into the holes that correspond to the desired cutting height. (Figure 6).

To change rear wheel cutting height, move cutting height levers one notch at a time until the desired cutting height is obtained. (Figure 6).

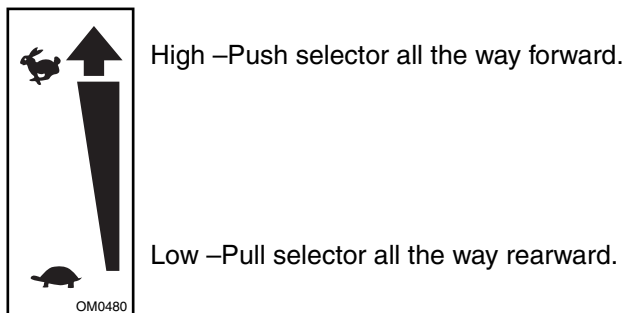
### Primer Bulb (Briggs & Stratton Engine)

Push the Primer Bulb in to add fuel for easier engine start.



### Speed Selector

Speed Selector is used to select variable forward travel speeds of mower.



With Speed Selector set at a slow travel speed and engine running, engage Wheel Drive Control. Increase speed with Speed Selector to a safe, comfortable walking pace. Once speed has been selected, Speed Selector should remain in this position. If not, adjust speed control bell crank spring tension. (See *Adjustments*).

### Wheel Drive Control

**CAUTION:** Holding Wheel Drive control of self-propelled models against handlebar, when attempting to start mower, will propel mower forward.

With engine running, slowly squeeze and hold Wheel Drive Control against handlebar to propel mower forward. Release Wheel Drive Control to stop forward motion.

### PRE-START

**CAUTION:** Make sure all hardware is tight, all safety devices in place and all adjustments made correctly.

1. Check that engine crankcase oil is at proper level. Fill or change engine oil as required.
2. Check air cleaner for dirt. Clean as required.
3. Check hardware and safety devices.

### FILLING FUEL TANK

**WARNING: EXPLOSIVE VAPORS and FLAMMABLE FUEL** can result in serious injury or death. Handle fuel with care. ALWAYS use an approved fuel container. No Smoking! No Lighted Materials! No Open Flame! Allow engine to cool before maintenance. Gasoline is highly flammable and must be handled with care. Allow engine to cool several minutes before removing fuel tank cap. Never fill tank when engine is running or is hot from operation. DO NOT allow open flame, matches, or smoking in area. DO NOT overfill. Allow about 1/4" of tank space for fuel expansion. Wipe up any spills and allow vapors to dissipate before starting engine. Use approved (Red) gasoline container.

To add fuel to Fuel Tank:

1. Put unit in open or well-ventilated area.
2. Stop engine and allow to cool.

3. Clean Fuel Cap and surrounding area to prevent dust, dirt and debris from entering Fuel Tank.
4. Remove Cap.

**IMPORTANT:** DO NOT use gasohol or gasoline containing alcohol because alcohol will cause internal parts to deteriorate. See Engine Manual for correct type and grade of fuel.

5. Fill fuel tank. (See *Specifications* for tank capacity.)
6. Replace Fuel Cap and tighten.
7. ALWAYS clean up any spilled fuel.

## Mower Configurations



**CAUTION:** DO NOT operate mower unless either side discharge opening cover or side discharge deflector is installed. Objects may be picked up and thrown causing damage or personal injury. Never operate engine with rear door open unless grass bag is in place.

To configure your mower for bagging, side discharge or mulching, proceed as follows:

**Bagging:** Lift rear door, place bar of grass bag frame on lip of mounting flange and lower rear door. If necessary, lift rear of grass bag frame to lock in position.

Be sure there are no openings between bag and mounting surface after installing bag. If necessary clear bag mounting surface of debris.

To remove grass bag, lift rear door. Then with handle, lift bag up off mounting flange and close rear door.



**CAUTION:** Objects may be thrown. Check grass bag frequently for wear or deterioration. Replace worn or damaged bag with Ariens original equipment replacement bag only.

**Side Discharge:** With grass bag removed, remove two lock nuts and washers that secure side discharge opening cover to mower. Lift cover to free tabs from slots and remove cover from mower.

Position holes in side discharge deflector over studs on mower. Place tab on rear edge of deflector onto edge of discharge opening. Secure deflector with cover hardware.



**WARNING:** NEVER direct discharge of material toward bystanders. Do not allow anyone near equipment while unit is in operation.

**Mulching:** Remove grass bag and install side discharge opening cover. Open rear door and insert Mulchmaster Plug with the beveled face to the left. Rear door should close flush.

## STOPPING IN AN EMERGENCY

To stop the mower in an emergency situation, release both the engine/blade control bail and the wheel drive control bail from the handlebar. Allow all moving parts to stop before leaving operator's position.

## STARTING AND SHUT OFF

See Figures 1, 4 and 5 for all Controls and Features.

**NOTE:** Start engine on a hard level surface that is free of debris.

### Manual Start

1. For engines with a primer, push primer bulb 2 or 3 times for a cold engine.
2. With engine/blade control held against the handlebar, grasp starter handle and pull rope out slowly until it pulls harder. This is the compression stroke. Let rope rewind slowly. Then pull rope with rapid continuous full arm stroke to start engine. Allow rope to rewind slowly.

**IMPORTANT:** DO NOT let starter handle snap against engine.

3. Repeat until engine starts. (If engine does not start, refer to *Troubleshooting*.)

### Shut Off

1. On self-propelled models, release wheel drive control and allow unit to come to a complete stop.
2. Release engine/blade control, and allow engine to cool.

## Mowing Tips



**CAUTION:** On swivel wheel models, when mowing on slopes it is recommended that the linchpin be positioned through the swivel lock hole. If wheels are in the swivel position and control handles are released the mower may “free roll” downhill. Never mow on steep slopes.



**CAUTION:** If clog or obstruction prevents grass flow, release Engine/Blade Control and disconnect spark plug wire before attempting to clear away any clogs.

The following tips will help you to mow safely, achieve maximum performance from your mower and maintain the appearance of your lawn.

When bagging, be sure to release Engine/Blade Control to engine and blade before attempting to remove and empty grass bag. Empty bag before it becomes overloaded and clogs mower.

Restarting engine will be easier if mower is allowed to completely discharge clippings before stopping engine.

**NOTE:** Be sure to empty grass bag and clean mower pan after each use. DO NOT allow grass clumps or a coating of grass and debris to collect inside of grass bag or mower pan.

**NOTE:** Avoid operating over bare ground with only patches of grass. This causes dirt and grass to collect under pan surface and in grass bag.

Prevent debris buildup and allow proper air circulation. Remove grass bag from mower, wash bag with hose and allow to dry.

## Mulching Tips

For best mulching performance, set mower height to 3 inches. If grass is very tall, do not cut more than 1 inch of grass per cutting.

Cut grass only when dry, not when it is wet from dew, rain, or watering. Wet grass tends to pack inside the mower pan. If cut grass does not disperse evenly, it is probably because too much grass is being removed per cutting, the grass is too wet, or the travel speed is too fast.

# MAINTENANCE

Ariens Dealers will provide any service, parts or adjustments which may be required to keep your unit operating at peak efficiency. Should engine service be required, contact an Ariens dealer or an authorized engine manufacturer's service center.

## MAINTENANCE SCHEDULE

The chart shows the recommended maintenance schedule that should be performed on a regular basis. More frequent service may be required due to working conditions (heavy loads, high ambient temperatures, dusty conditions, or airborne debris).

See Engine Manual for further maintenance and troubleshooting information.

MAINTENANCE SCHEDULE				
Service Performed	Daily	25	50	100
Check Air Cleaner	●			
Check Engine Oil	●*	●		
Check Mower Blade	●			
Check Drive Belt	●			
Check Engine/Blade Control	●			
Check Grass Bag	●			
Check Drive Control		●		
General Lubrication		●		
Check Fasteners		●		
Check Spark Plug				●
Check Engine Cooling				●
Check Muffler				●

\* After first 2 Hours of operation



**WARNING: ROTATING PARTS** can cut off body parts. Keep hands and feet away. Loose clothing, long hair or scarves can get caught in rotating parts and cause death or serious injury.



**WARNING:** Stop engine, wait for moving parts to stop, and remove wire from spark plug (keep wire away from plug to prevent accidental starting) before attempting any lubrication or maintenance procedures.



**CAUTION:** DO NOT touch engine parts which are hot from operation. Allow parts to cool before servicing.

## CHECK AIR CLEANER (Briggs & Stratton Engine)

See engine manual for specific information.

## CHECK ENGINE OIL

**IMPORTANT:** Change engine crankcase oil after first two (2) hours of operation. Thereafter, change oil every twenty five hours of operation (more often in dusty, dirty conditions). Refer to Engine Manual for oil type and grade and detailed instructions.

### Engine Oil Check and Change

The engine crankcase oil should be checked daily or every five (5) hours of operation. Oil level **MUST** be maintained in safe operating range on dipstick at all times or engine damage will result.

**IMPORTANT:** DO NOT overfill. Be sure engine is level when adding oil.

See Engine Manual for detailed instructions.

## CHECK MOWER BLADE

See figures 10 and 11.

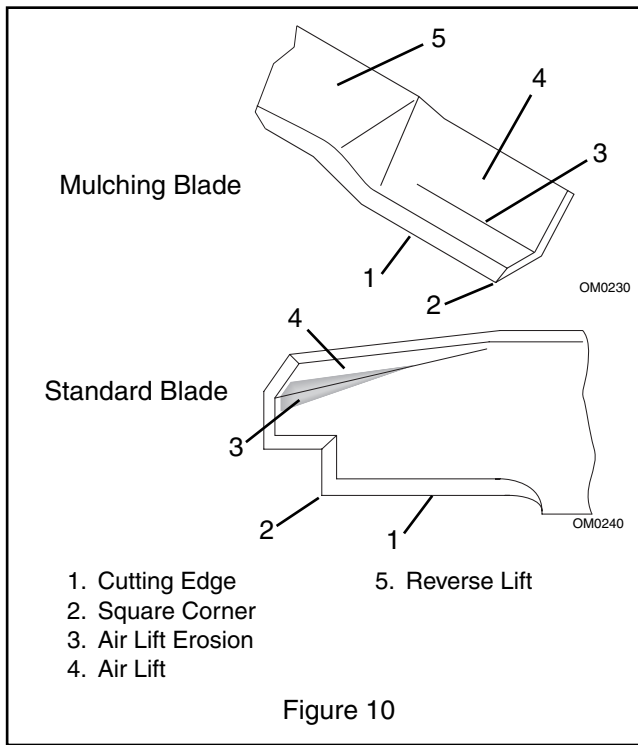
Regularly check mower blades for wear and that lock washer is fully compressed by cap screw (requires 25-30 ft. lbs. of torque on cap screw).

When blade needs sharpening:

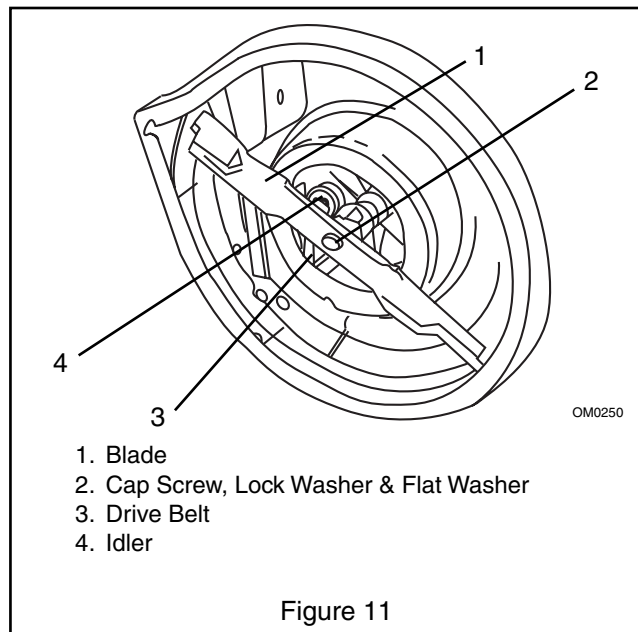
1. Block blade to prevent rotation.
2. Remove cap screw, lock washer and blade from shaft.
3. Sharpen both ends of blade at original angle (25°), removing equal amounts of material from each end to maintain proper blade balance. New blades are balanced to within 1.3 in. oz. at factory. **DO NOT** grind around corner at tip of blade. If cutting edge of blade cannot be sharpened in a straight line to within 1/8 of an inch of its end, replace blade with Ariens replacement blade only.

4. Install blade, lock washer and tighten cap screw until lock washer is fully compressed (requires 25-30 ft. lbs. of torque on nuts).

**IMPORTANT:** If mower is used under sandy soil conditions, replace blades when air lifts become eroded.



### CHECK DRIVE BELT



Check drive belt for wear or damage. Replace belt if worn or damaged. See *Service and Adjustments*.

### CHECK ENGINE/BLADE CONTROL

The engine/blade control must stop the engine and blade within 3 seconds after the bail is released. If the engine or blade continues to run, adjust or repair control immediately. See *Adjustments*.

### CHECK GRASS BAG

Check bag for wear or damage. Keep bag clean and dry. Replace only with Ariens original equipment replacement bag.

### CHECK DRIVE CONTROL

Check operation of drive control. The drive must disengage completely when the bail handle is released. Adjust bail travel if necessary. See *Adjustments*.

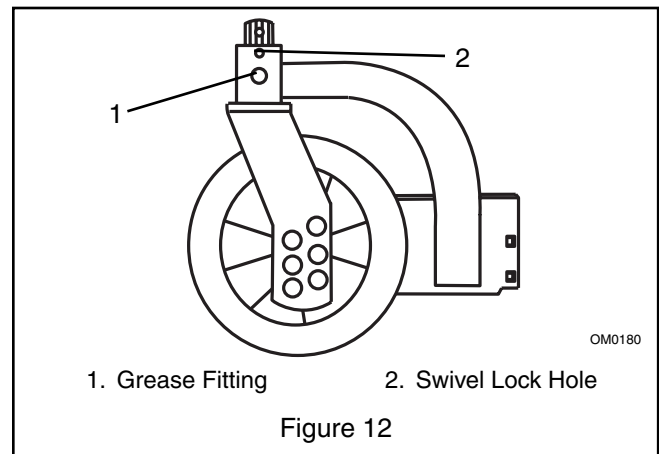
### GENERAL LUBRICATION

Mower does not require any lubrication. Wheel assemblies are designed for long life without additional lubrication.

### Swivel Lubrication (swivel units)

See Figure 12.

**NOTE:** Linchpin must be in the swivel lock hole while lubricating.



### CHECK FASTENERS

Check all fasteners for proper tightness. Pay special attention to blade hardware and all guards, shields and safety devices.

### CHECK SPARK PLUG

Spark plug should be cleaned (or replaced) if necessary and gap reset to .030" every 100 hours of operation or yearly, whichever comes first.

To clean:

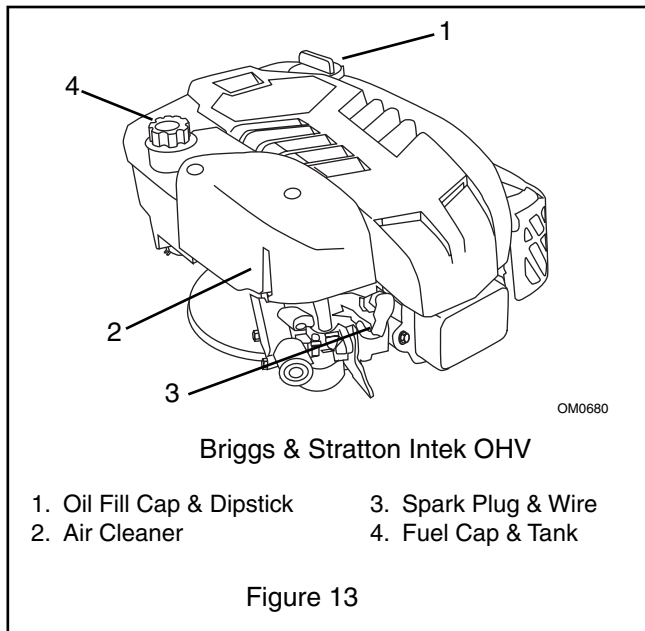
1. Remove debris from area around spark plug base.
2. Remove spark plug from engine.



3. Scrape and wash spark plug with a commercial solvent. DO NOT blast clean.

4. Replace spark plug.

**NOTE:** Sparking can occur if wire terminal does not fit firmly on spark plug. Replace terminal if damaged.



## CHECK ENGINE COOLING

Engine is air cooled. Air must circulate freely around engine from Air Intake to cooling fins on cylinder head and block to prevent overheating.



**WARNING:** HOT SURFACES can cause death or serious injury. DO NOT TOUCH parts which are hot from operation. ALWAYS allow parts to cool.

Every 100 hours of operation or yearly (more often if conditions require) remove cooling shrouds and clean cooling fins. Clean external surfaces of engine of dust, dirt and oil deposits which can contribute to improper cooling.

**IMPORTANT:** DO NOT operate engine with blower housing removed or engine overheating damage will result.

## CHECK MUFFLER

Check muffler for cracks, wear, or other damage. Worn out mufflers should be replaced immediately. Continued use could result in fire or explosion.

# SERVICE AND ADJUSTMENTS

## SERVICE POSITION



**WARNING:** ACCIDENTAL ENGINE START UP can cause death or serious injury. ALWAYS stop engine, wait for moving parts to stop and remove wire from spark plug before adjusting or servicing.

Place unit on a flat level surface. ALWAYS stop engine. Assure unit is secure and will not tip over. Strap and clamp onto bench if needed.



**CAUTION:** Before unit is tipped up, remove enough fuel so that no spills will occur. A piece of plastic bag may be used to seal fuel tank opening when tipping mower. To seal, remove fuel tank cap, cover fuel tank opening with plastic, replace and tighten cap securely before attempting to tip mower. Be sure to remove plastic before attempting to operate mower.

A handlebar service position is provided for tipping the unit for cleaning and service (Figure 14). See *Adjustments*.

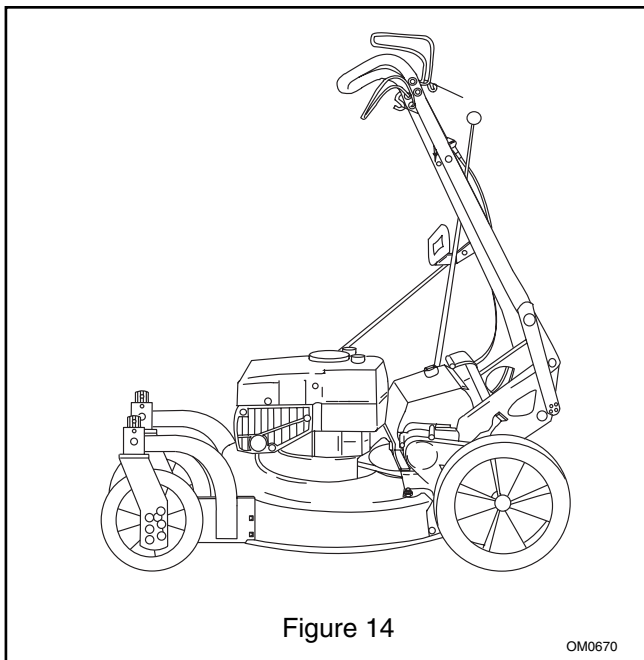


Figure 14

OM0670

**IMPORTANT:** When tipping to service engine or unit, use the following service position:

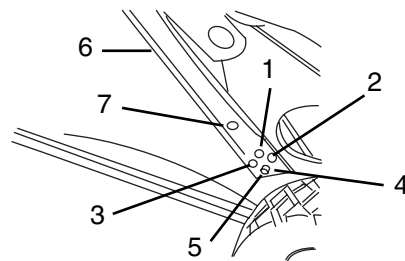
**Briggs & Stratton Intek Engines:** place handlebar into handlebar service position and tip the machine to the left, opposite the discharge opening.

**IMPORTANT:** If engine becomes “flooded” due to tipping, clean air cleaner (See *Maintenance*) and remove spark plug, put one teaspoon of oil in cylinder, turn engine over a few times and reinstall spark plug.

## HANDLEBAR

To adjust handlebar height (Figure 15):

1. Place a hole (1-4) at the bottom of the braces over the pins.
2. For service position, remove braces from pins, rotate handlebar forward and place pins into holes of braces.



OM0271

1. Hole No. 1
2. Hole No. 2
3. Hole No. 3
4. Hole No. 4
5. Pin
6. Brace
7. Storage Position

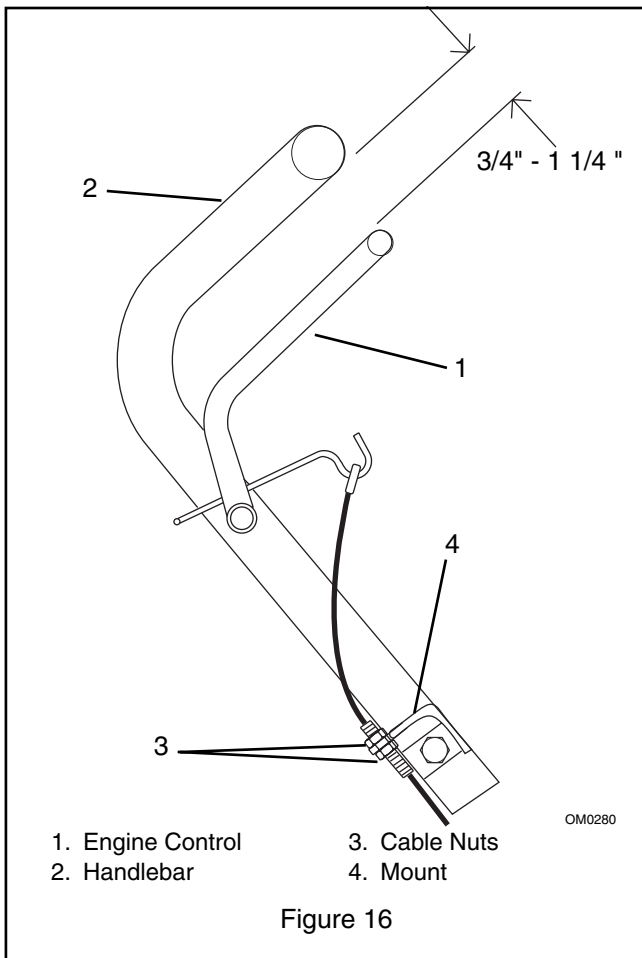
Figure 15

## ENGINE/BLADE CONTROL

Engine Control must stop engine ignition, at 3/4" to 1-1/4" from handlebar as control is released.

To check (Figure 16):

1. Start engine and slowly release Control until engine stops firing.
2. Measure distance between handlebar and control at the point that engine stopped firing.
3. Turn cable nuts at handlebar mount clockwise if measurement is more than 1-1/4" or counter-clockwise if measurement is less than 3/4".
4. Turn nuts against mount to lock in position.



## DRIVE BELT (Self propelled units)

To remove drive belt:

1. Position right hand rear wheel Height Adjustment lever in first notch and left hand rear wheel Height Adjustment lever in third notch. This provides clearance between friction wheel and drive disk.
2. Remove belt from idler, drive disk and engine pulley.
3. Pull belt through opening under mower pan and over blade.

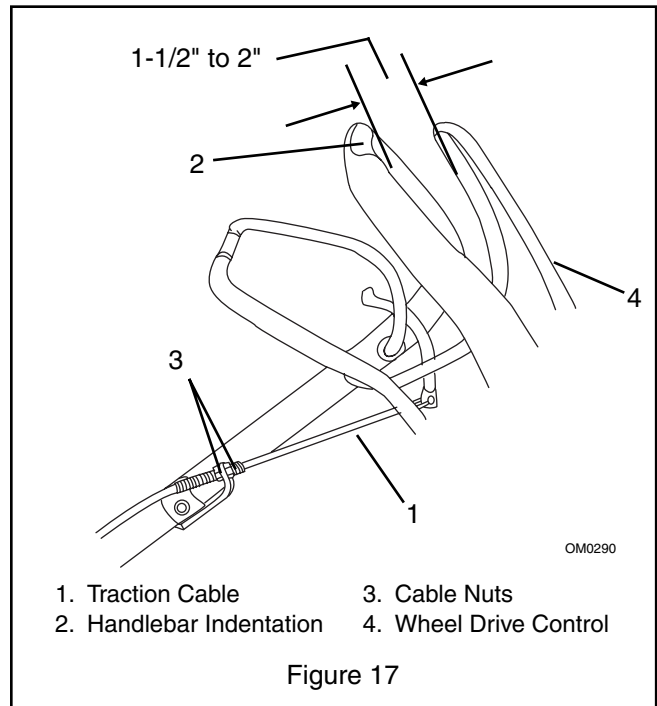
4. Check idler for free rotation of pulley and movement of pivot.
5. Reinstall drive belt in reverse order. Be sure that belt seats in pulley grooves with idler positioned on back (flat) side of belt.

## DRIVE WHEEL

See Figure 17.

When the Wheel Drive Control is squeezed toward the handlebar the extension spring, located at the bottom end of the traction cable, must start to extend when the control is between 1-1/2" and 2" (3.8 and 5 cm) away from the handlebar. To check:

1. Squeeze the Wheel Drive Control toward the handlebar until the spring starts to open.
2. Measure the distance between the Wheel Drive Control and handlebar at the handlebar indentation.
3. To obtain the proper adjustment, turn the cable nuts. Turn clockwise if the measurement is more than 2"; counterclockwise if the measurement is less than 1-1/2". Tighten the nuts against the bracket to lock in position. If there is not enough thread length for adjustment, the opposite end of the cable can be adjusted.

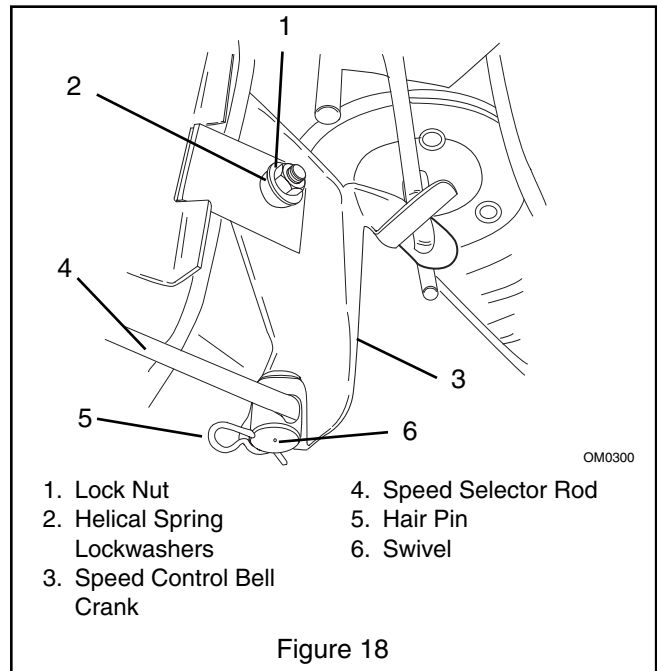


## Speed Control Bell Crank

The speed control bell crank holds the speed selector rod in position after a speed has been set. The spring washers may become loose with normal wear. If the speed selector rod does not stay firmly in position, adjust the speed control bell crank. See Figure 18.

To adjust:

1. Remove cover, fully compress the helical spring lockwashers with lock nut and then back lock nut off, one half turn.
2. If the speed selector rod is still too loose, tighten lock nut by small increments until it holds its position. Tightening the lock nut too much will not allow the speed selector rod to move at all.
3. Align notch in left hand side of cover with bolt and secure with knob.



## STORAGE



**WARNING:** FLAMMABLE FUEL and its EXPLOSIVE VAPORS can cause death or serious injury. DO NOT store unit with fuel in the fuel tank inside a building where any ignition sources are present. Drain fuel outdoors away from any ignition source. Allow engine to cool before storing in any enclosure. Only use approved fuel containers.

**IMPORTANT:** NEVER spray unit with water or store unit outdoors. Water can seep into sealed bearings, which are sealed against dirt and debris only, causing reduced component life. Store mower in a cool, dry, protected location.

### Cleaning

Clean unit thoroughly. Brush dirt and debris off with a brush. Apply paint or spray lubricant to exposed metal joints and surfaces. Do not use abrasives, solvents, or harsh cleaners.

### Inspection

Inspect mower for signs of wear or damage. Order any parts required and make necessary repairs to avoid delays when beginning use again.

Keep all nuts, bolts and screws tight and know unit is in safe working condition. Check all hardware at regular intervals.

### Grass Bag

Remove Grass Bag and clean out all debris before storage. Grass Bag may be stored in position on mower. Keep Grass Bag dry during storage.

### Engine

When storing unit for extended periods of time, remove all fuel from tank and carburetor (run dry). Refer to Engine Manual.

# TROUBLESHOOTING

PROBLEM	PROBABLE CAUSE	CORRECTION
<b>Engine will not start</b>	<ol style="list-style-type: none"> <li>1. Fuel tank empty or low.</li> <li>2. Spark plug wire loose or off.</li> <li>3. Engine/brake control cable detached, broken, or not adjusted properly.</li> </ol>	<ol style="list-style-type: none"> <li>1. Check fuel level. Fill tank if necessary.</li> <li>2. Check connection.</li> <li>3. Check engine/brake control cable. Adjust, repair or replace as necessary.</li> </ol>
<b>Self-propelled drive does not engage.</b>	<ol style="list-style-type: none"> <li>1. Traction drive bail not engaged.</li> <li>2. Drive belt out of position.</li> <li>3. Drive belt worn or damaged.</li> <li>4. Rear wheels in different cutting height positions.</li> <li>5. Friction wheel engagement not adjusted properly or damaged.</li> <li>6. Idler and idler spring installed incorrectly.</li> <li>7. Traction drive cable detached or broken.</li> <li>8. Bearings damaged.</li> <li>9. Debris in gear set.</li> </ol>	<ol style="list-style-type: none"> <li>1. Engage traction drive bail.</li> <li>2. Check drive belt. Adjust as necessary.</li> <li>3. Replace belt.</li> <li>4. Adjust rear wheel cutting position so that cutting height is the same on both sides.</li> <li>5. Adjust or replace friction wheel.</li> <li>6. Check idler and spring. Adjust as necessary.</li> <li>7. Check drive cable. Adjust, repair or replace as required.</li> <li>8. Replace bearings. Contact your Dealer.</li> <li>9. Remove debris. Contact your Dealer.</li> </ol>

## SPECIFICATIONS

<b>Model Number</b>	907254
<b>Description</b>	LM21SW
Length - in (cm)	61.5 (156)
Height - in (cm)	38 (96,5)
Width - in (cm)	23 (58,4)
Actual Weight - lbs (kg)	105 (47,6)
Cutting Width	21 (53,3)
Cutting Height - in. (cm)	6 Positions: 1.00 - 3.25 (2,5 - 8,3)
Engine, 4 cycle	Briggs & Stratton Intek OHV
Engine Power Max - HP (kw)	4.37 (3,26)
Max Rotation Speed of Cutting Edge - RPM (min <sup>-1</sup> )	3100
Governed RPM	3000 +/- 100
Displacement Cu. In. (cc)	11.57 (190)
Cylinder Bore	Aluminum
Engine Oil Type	SAE 30
Crank Case Capacity - Oz. (Liter)	22 (0,65)
Oil System	Splash
Spark Plug Gap - in (mm)	0.030 (0,76)

## SPECIFICATIONS

Fuel Type	Unleaded
Fuel Tank Capacity - qt (Liter)	1.6 (1,5)
Primer Bulb	Standard
Air Cleaner	Paper Element
Starting	Recoil
Differential	Standard
Variable Speeds - MPH (km/hr)	0-4 (0-6,4)
Mower Deck	14 Gauge - Stamped Steel
Adjustable Handlebar	Four Position
Front Wheel Dia - in (cm)	7.5 (19,1)
Rear Wheel Dia - in (cm)	10.5 (26,7)



**Ariens Company**  
655 West Ryan Street  
P.O. Box 157  
Brillion, WI 54110-0157  
1-877-466-0812  
Fax 920-756-2407  
www.ariens.com

## 2 Year Limited Warranty

Ariens Company warrants to the original purchaser that consumer products manufactured by Ariens Company will be free from defects in material and workmanship for a period of two (2) years after the date of purchase, and will repair any defect in material or workmanship, and repair or replace any defective part, subject to the conditions, limitations and exclusions set forth herein.

The two year duration of this warranty applies only if the product is put to ordinary, reasonable, and usual personal, family, or household uses. If the product is put to any business, commercial, or industrial use such as, but not limited to, commercial landscaping, mowing or snow removal services, or golf course or park maintenance, or agricultural or farmstead use, then the duration of this warranty is ninety (90) days after the date of purchase, or one (1) year after the date of purchase if the product is labeled as a Professional/Commercial Product. If any product is rented or leased, then the duration of this warranty is ninety (90) days after the date of purchase.

**This warranty is subject to the following conditions, limitations, and exclusions:**

**This warranty is valid only if the following conditions are met:**

- The warranty registration card must be completed and returned to Ariens Company.
- The purchaser must perform maintenance and minor adjustments explained in the owner's manual.
- The purchaser must promptly notify Ariens Company or an authorized Ariens service representative of the need for warranty service.

**This warranty is subject to the following limitations:**

- The purchaser must transport the product to and from the place of warranty service.
- Warranty service must be performed by an authorized Ariens service representative. (To find an authorized Ariens service representative, contact Ariens Company at the number or address above.)
- Batteries are warranted only for a period of twelve (12) months after date of purchase, on a prorated basis. For the first ninety (90) days of the warranty period, a defective battery will be replaced free of charge. If the applicable warranty period is more than 90 days, Ariens Company will cover the prorated cost of any defective battery, for up to twelve(12) months after the date of purchase.

**The following items are not covered by this warranty:**

- Engines and engine accessories are covered only by the warranty made by the engine manufacturer, and are not covered by this warranty.
- If the product is equipped with a Peerless gearbox and/or transmission, the gearbox and/or transmission are covered only by the warranty made by Peerless, and are not covered by this warranty.
- Parts that are not genuine Ariens service parts are not covered by this warranty.
- Shoes, runners, scraper blades, shear bolts, mower blades, mower vanes, headlights, light bulbs, are not covered by this warranty.
- Any defect which is the result of misuse, alteration, improper assembly, improper adjustment, neglect, or accident, is not covered by this warranty.
- Products which were not purchased in the United States, Puerto Rico, or Canada are not covered by this warranty.

### **LIMITATION OF REMEDY AND DAMAGES**

Ariens Company's liability under this warranty, and under any implied warranty that may exist, is limited to repair of any defect in workmanship, and repair or replacement of any defective part. Ariens Company shall not be liable for incidental, special, or consequential damages (including lost profits). Some states do not allow the exclusion of incidental or consequential damages, so the above limitation or exclusion may not apply to you.

### **DISCLAIMER OF FURTHER WARRANTY**

**Ariens Company makes no warranty, express or implied, other than what is expressly made in this warranty. If the law of your state provides that an implied warranty of merchantability, or an implied warranty of fitness for particular purpose, or any other implied warranty, applies to Ariens Company, then any such implied warranty is limited to the duration of this warranty. Some states do not allow limitations on how long an implied warranty lasts, so the above limitation may not apply to you.**

**This warranty gives you specific legal rights, and you may also have other rights which vary from state to state.**

Form: SLW2-111299

# TABLE DES MATIÈRES

Commandes et caractéristiques . . . . .	3	Entretien et réglages . . . . .	36
Introduction . . . . .	23	Remisage . . . . .	38
Sécurité . . . . .	24	Dépannage . . . . .	39
Montage . . . . .	28	Caractéristiques . . . . .	39
Fonctionnement . . . . .	29	Garantie . . . . .	40
Entretien . . . . .	33	Pièces de Rechange . . . . .	59

## INTRODUCTION

### LE MANUEL

Avant d'utiliser cette machine, lire entièrement et attentivement les manuels qui l'accompagnent. Le contenu de ces manuels permet de comprendre les commandes et les consignes de sécurité lors de l'utilisation et de l'entretien courant.

Les indications de côté, droit, gauche, avant et arrière s'entendent par rapport au sens de marche avant.

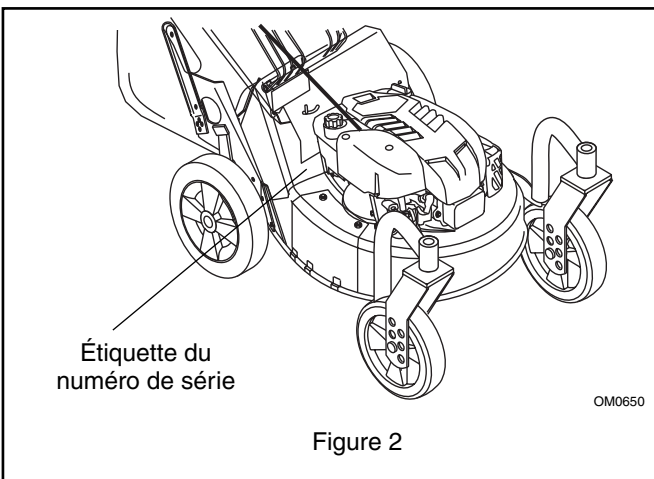
### ENTRETIEN ET PIÈCES DE RECHANGE

Lors de la commande de pièces de rechange ou au cours de la recherche de renseignements concernant l'entretien, fournir le modèle et les numéros de série de la machine et du moteur.

Ces numéros se trouvent sur le formulaire d'enregistrement du produit accompagnant les documents fournis avec la machine. Ils sont également inscrits sur la plaque du numéro de série située sur le châssis de la machine (Figure 2).

- Noter le numéro du modèle et le numéro de série de la machine dans l'encadré ci-dessous.

- Noter le numéro du modèle et le numéro de série du moteur dans l'encadré ci-dessous.



### ENREGISTREMENT DU PRODUIT

Une carte d'enregistrement de la garantie doit être remplie, signée et renvoyée au moment de l'achat. Cette carte active la garantie. Les réclamations faites pendant la période couverte par la garantie limitée seront honorées.

### PIÈCES DE RECHANGE NON AUTORISÉES

Utiliser uniquement les pièces de rechange Ariens. Le remplacement de toute pièce sur cette machine par une pièce autre que les pièces de rechange autorisées par Ariens peut affecter les performances, la durée de vie ou la sécurité de cette machine et peut annuler la garantie. Scotts et Ariens se dégagent de toute responsabilité concernant toute réclamation ou dégât affectant les biens, ou provoquant des blessures ou le décès qui seraient le résultat de l'utilisation d'une pièce de rechange non autorisée.

### LIVRAISON

**Note au client :** Si vous avez acheté ce produit sans le montage et les instruction du marchand, il vous incombe de:

- Lire et comprendre toutes les instructions de montage de ce manuel. En cas de non compréhension ou de difficultés à suivre les instructions, contacter le concessionnaire Ariens le plus proche pour assistance. Pour le concessionnaire Ariens le plus proche, appeler 1-877-466-0812.



**WARNING:** Un montage ou un réglage incorrect risque de provoquer des blessures graves.

- Vérifier le fonctionnement de toutes les commandes avant la mise en marche du moteur.

Avant d'utiliser cette machine:

1. Le montage a été correctement effectué.
2. Toutes les consignes de sécurité des manuels ont été comprises.
3. Les fonctions et le fonctionnement de la machine ont été revus.
4. Le graissage, l'entretien et les réglages recommandés ont été effectués.
5. La police de Garantie Limitée a été revue.
6. Remplir la carte d'enregistrement de l'acheteur original et la renvoyer à Ariens.

## DÉNI DE RESPONSABILITÉ

Ce produit est fabriqué par Ariens. Scotts et Ariens se réservent le droit de discontinuer, d'effectuer des modifications ou des améliorations à ses produits à tout moment et ce sans aucune obligation de préavis. Les descriptions et les caractéristiques contenues dans ce manuel sont en vigueur à la date d'impression. L'équipement décrit dans ce manuel peut être en option.

Certaines illustrations peuvent ne pas s'appliquer à votre machine.

## SÉCURITÉ

### CONSIGNES DE SÉCURITÉ



Rechercher ces symboles accompagnant des précautions importantes pour la sécurité. Ils signifient :



**Attention !**

**Votre sécurité est en jeu !**

**Être en état d'alerte !**

**Obéir au message !**

Ils apparaissent sur les autocollants de sécurité apposés sur la machine et accompagnent la marche à suivre et le fonctionnement corrects décrits dans le manuel. Bien comprendre le message de sécurité. Celui-ci contient des informations importantes concernant la sécurité de l'utilisateur avec ou près de la machine.



**DANGER** : SITUATION EXTRÊMEMENT DANGEREUSE ! Si elle n'est pas évitée, PEUT ENTRAÎNER la mort ou des blessures graves.



**AVERTISSEMENT** : SITUATION POTENTIELLEMENT DANGEREUSE ! Si le danger n'est pas écarté, IL Y A RISQUE de mort ou de blessures graves.



**PRUDENCE** : SITUATION POTENTIELLEMENT DANGEREUSE ! Si le danger n'est pas écarté, IL Y A RISQUE de blessures légères ou moyennement graves. Peut aussi signaler des gestes dangereux.

### REMARQUES

**REMARQUE** : Renseignements généraux pour assurer le bon fonctionnement et l'entretien régulier de la machine.

**IMPORTANT** : Procédures ou renseignements spécifiques nécessaires pour ne pas endommager la machine ou un accessoire.

### USAGE ET LOIS

Respecter les précautions d'usage, pour la sécurité de tous. Comprendre et respecter tous les messages de sécurité. Être conscient des circonstances comportant un danger et un risque de blessures légères, moyennes ou graves, voire mortelles. Se familiariser avec toutes les réglementations et lois locales.

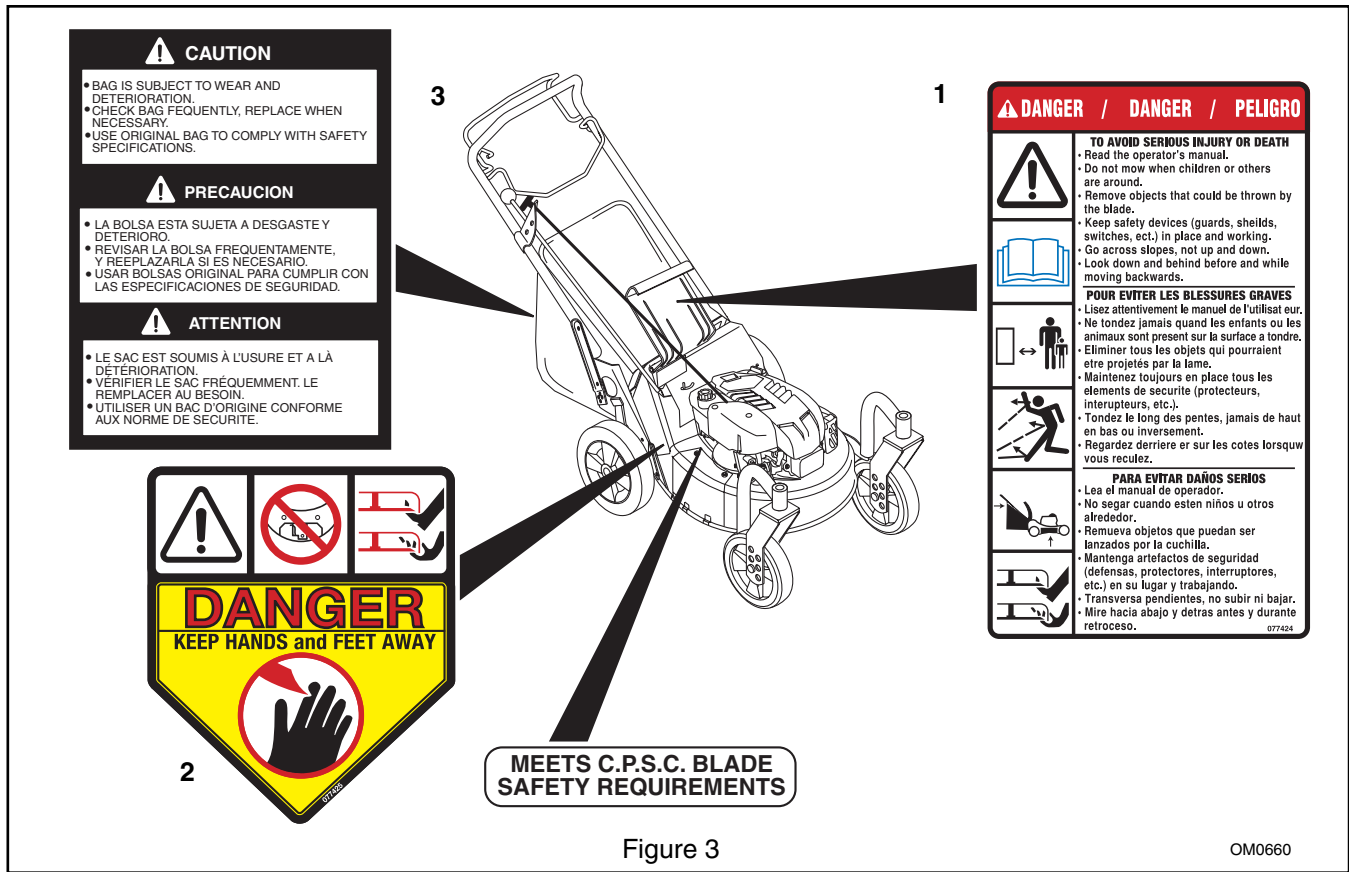
### FORMATION REQUISE DE L'UTILISATEUR

Le revendeur a informé l'acheteur original sur l'utilisation correcte de cette machine selon le respect des règles de sécurité. Si cette machine est utilisée par un autre individu ou si elle est prêtée, louée ou vendue, TOUJOURS fournir le manuel ainsi que la formation sur la sécurité nécessaire avant l'utilisation.



# AUTOCOLLANTS DE SÉCURITÉ ET EMBLEMES

TOUJOURS remplacer les autocollants de sécurité manquants ou abîmés. Se reporter à la Figure 3 pour les emplacements de ces autocollants.



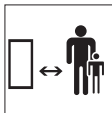
## 1. DANGER

### POUR ÉVITER DES BLESSURES GRAVES, VOIRE MORTELLES



OL1801

Avant d'utiliser la machine, lire complètement et comprendre tous les manuels fournis.



OL4370

Éloigner les enfants et les animaux lors de l'utilisation de la machine. Rassembler les enfants à l'extérieur de la zone de travail et les laisser sous la surveillance d'un adulte responsable.



OL0910

Ne pas s'approcher de l'aire d'évacuation. NE PAS diriger l'évacuation vers les tierces personnes. Retirer les objets pouvant être projetés par la lame. NE PAS utiliser la tondeuse sur du gravier ou une surface dure.



OL4540

NE PAS utiliser la tondeuse sans garant.



OL3030

LAME ROTATIVE ! Éloigner les mains et les pieds.

- Se déplacer en travers d'une pente et non pas de haut en bas.
- Regarder en bas et en arrière, avant et pendant toute manœuvre de recul.

## 2. DANGER

### ÉLOIGNER LES MAINS ET LES PIEDS



OL4530

- Ne pas utiliser la tondeuse sans garant.

## 3. PRUDENCE !

- Le sac est sujet à l'usure et aux détériorations.
- Le vérifier fréquemment, le remplacer si nécessaire.
- Utiliser un sac d'origine conforme aux normes de sécurité.

# CONSIGNES DE SÉCURITÉ

## Utilisation

Inspecter la machine et la zone de travail avant l'utilisation pour éviter la projection d'objets.

Nettoyer la zone de travail de tout objet pouvant être ramassé et jeté. Retirer tous les cailloux, bâtons, câbles et autre objet indésirable. L'herbe haute peut cacher des obstacles.

Seuls les adultes ayant reçu la formation nécessaire peuvent utiliser la machine. La formation comprend l'utilisation de la machine.

Maintenir les accessoires en bon état.

TOUJOURS laisser la plaque d'évacuation en place.

NE JAMAIS utiliser la machine avec la trappe arrière ouverte sauf si le sac à herbe est en place.

Pour le paillis, la plaque d'évacuation latérale ouvrable doit être posée et la trappe arrière complètement ouverte quand le moteur tourne.

NE PAS déplacer la tondeuse en marche arrière, sauf en cas de nécessité absolue. Regarder en bas et en arrière, avant et pendant toute manœuvre de recul.

NE PAS mettre le moteur en marche ou utiliser la tondeuse si la plaque d'évacuation latérale ouvrable ou le déflecteur d'évacuation latéral sont déposés.

Garder toute personne, enfant et animal domestique éloigné de la zone de travail.

TOUJOURS dégager la zone de travail avant l'utilisation.

Arrêter la tondeuse si quelqu'un pénètre dans la zone.

Laisser en place les garants et les dispositifs de sécurité et s'assurer qu'ils fonctionnent correctement. NE JAMAIS modifier ou déposer les dispositifs de sécurité.

TOUJOURS éloigner les mains des pièces en rotation.

Ne pas approcher ou placer les mains ou les pieds en dessous des pièces en rotation. Se tenir à l'écart des orifices d'évacuation et du carter de la tondeuse en toute circonstance. NE JAMAIS ouvrir trappe arrière quand le moteur tourne si le sac à herbe est déposé.

TOUJOURS tenir les mains et les pieds à l'écart des pièces en rotation. Les pièces en rotation peuvent sectionner un membre.

NE PAS tondre trop rapidement. NE PAS modifier le réglage du régulateur de vitesse ou faire tourner le moteur à un régime trop élevé.

Utiliser la tondeuse UNIQUEMENT lorsque la visibilité et l'éclairage sont satisfaisants.

Être extrêmement prudent à l'approche de tournants sans visibilité, de buissons, d'arbres ou d'autres obstacles qui réduisent la visibilité.

TOUJOURS être bien en équilibre.

Ne pas tondre d'herbe humide. TOUJOURS être bien en équilibre. Tenir fermement le guidon. Marcher, ne jamais courir.

Si l'accessoire vibre de manière anormale, arrêter immédiatement le moteur, attendre que les pièces en rotation s'immobilisent et débrancher le fil de la bougie. Effectuer les réparations nécessaires avant de remettre la tondeuse en marche.

Éviter les zones irrégulières et les terrains accidentés.

Bien repérer la zone de travail. Faire attention aux trous,

rocs, racines et autres dangers cachés sur la zone de travail. Se tenir à l'écart des dénivellations abruptes, fossés ou remblais. L'utilisateur risque de perdre l'équilibre.

NE PAS utiliser la machine sur de fortes pentes.

NE JAMAIS laisser la machine en pente sans surveillance. En cas de stationnement en pente, caler les roues.

Tondre en travers de la pente, jamais de haut en bas. Être extrêmement prudent lors de changement de direction en pente.

Retirer la clé une fois la machine garée.

Prendre toutes les précautions possibles avant de laisser la machine sans surveillance.

TOUJOURS arrêter le moteur, retirer la clé et débrancher le fil de la bougie pour éviter un démarrage accidentel ou une utilisation non-autorisée.

## Personne

Éloigner les enfants de la zone de travail et s'assurer qu'ils sont surveillés par un adulte.

NE JAMAIS laisser un enfant utiliser la tondeuse.

Arrêter la tondeuse si des enfants pénètrent dans la zone de travail.

NE JAMAIS diriger l'évacuation vers les personnes présentes. L'utilisateur est responsable de la sécurité des tierces personnes.

Porter les vêtements de sécurité appropriés, des gants et des chaussures de protection.

Porter des chaussures résistantes. NE PAS tondre pieds nus, en sandales ou en espadrilles.

Toujours porter des lunettes de sécurité comportant des montants de protection latéraux pour utiliser la tondeuse.

NE JAMAIS porter de vêtements larges, de bijoux ou de cheveux longs pouvant être happés par les pièces en rotation. Se protéger les yeux, le visage et la tête des objets pouvant être projetés par la machine.

NE JAMAIS utiliser la machine après avoir consommé des médicaments, des drogues ou de l'alcool. Une attention totale est requise pendant l'utilisation de la machine.

NE JAMAIS s'approcher de la goulotte d'évacuation lors de l'utilisation de la tondeuse.

Ne pas utiliser la tondeuse sur du gravier ou des matériaux fluides tel que le sable. Arrêter la tondeuse pour traverser une allée en gravier, une promenade ou une route. Des objets risquent d'être happés et projetés, provoquant dommage ou blessure.

NE PAS toucher les pièces chaudes. Laisser les pièces refroidir.

Les pièces en mouvement peuvent couper ou amputer des doigts, voire une main. Entourer la ou les lames de chiffons ou porter des gants pour effectuer l'entretien.

NE PAS approcher les mains des points de pincement.

Les gaz d'échappement du moteur peuvent provoquer la mort ou de graves blessures. NE PAS faire tourner le moteur à l'intérieur d'une pièce ou d'un bâtiment.

## Entretien et réglages

NE JAMAIS essayer de régler la machine tant que le moteur est en marche. Avant d'entreprendre l'entretien, arrêter le moteur, retirer la clé de contact et attendre l'arrêt de toutes les pièces (sauf instruction contraire).

NE PAS régler la hauteur de coupe par les roues tant que le moteur est en marche.

Sur les modèles autotractés, la commande de traction bloque la marche avant de la tondeuse. Si cette fonction est en panne, débrancher le fil de la bougie et réparer avant de réutiliser la tondeuse. La commande de traction doit être désenclenchée lors de la mise en marche du moteur.

Le carburant est une substance hautement inflammable et ses vapeurs peuvent exploser. Utiliser **UNIQUEMENT** des récipients agréés.

- NE PAS fumer !
- NE PAS faire d'étincelles !
- NE PAS approcher de flammes !
- Laisser refroidir le moteur avant de faire le plein de carburant.

Vérifier le niveau de carburant avant de mettre le moteur en marche.

NE PAS faire le plein à l'intérieur quand le moteur est en marche ou tant qu'il est encore chaud.

Laisser le moteur refroidir quelques minutes avant de retirer le bouchon du réservoir.

Remettre le bouchon du réservoir correctement en place et nettoyer le carburant renversé avant de mettre le moteur en marche.

Arrêter le moteur, débrancher le câble d'allumage et le ranger à l'écart de la bougie avant d'essayer de déburrer, réparer, régler ou nettoyer la machine.

Pour réduire les risques d'incendie et de surchauffe, nettoyer l'herbe, les feuilles, les débris ou l'excès de graisse de la tondeuse.

## Batterie

Éviter les décharges électriques. NE PAS débrancher le fil de la bougie lorsque le moteur est en marche. Ne pas mettre la batterie au feu ou la détruire.

Gaz Explosifs ! L'acide sulfurique contenu dans la batterie est toxique. Il provoque de graves brûlures au contact de la peau, des yeux ou des vêtements.

Ne pas approcher de flamme, d'étincelle ou fumer à proximité de la batterie.

TOUJOURS porter des lunettes et des vêtements de protection à proximité de la batterie.

TOUJOURS ENTREPOSER LES BATTERIES HORS DE LA PORTÉE des enfants.

## Entretien

Suivre les consignes de sécurité du fabricant concernant l'entretien du moteur.

S'assurer que tous les écrous et les vis sont bien serrés et que la machine est en bon état de fonctionnement. Vérifier toute la visserie à intervalles réguliers, en particulier les vis de fixation de la lame.

Utiliser uniquement les pièces de rechange conçues pour la machine. Voir le concessionnaire.

Les silencieux usagés représentent plus qu'une nuisance sonore et doivent être remplacés immédiatement. Un silencieux usé peut provoquer des incendies ou des explosions.

TOUJOURS caler les roues et s'assurer que les chandelles sont assez résistantes pour soutenir le poids de la machine pendant l'entretien.

Vérifier l'état du sac à herbe. Remplacer uniquement par un sac de rechange d'origine pour des raisons de sécurité.

## Remisage

Laisser refroidir le moteur avant de remiser la machine dans un local clos.

Consulter la section Remisage dans ce manuel pour les consignes importantes concernant le remisage à long terme.

TOUJOURS nettoyer la machine avant un remisage prolongé. Voir le manuel du moteur pour la procédure de remisage correcte.

NE PAS remiser la machine avec un réservoir contenant du carburant dans un bâtiment où il y a risque d'incendie.

## Circuits de sécurité

La commande moteur/lame permet d'arrêter le moteur et la lame quand l'utilisateur relâche la commande sur le guidon. Si cette fonction est en panne, débrancher le fil de la bougie et régler ou la faire réparer avant de réutiliser la tondeuse.

## Accessoires

Utiliser uniquement les accessoires agréés par et correctement posés.

## Pare-étincelles

Ce produit est équipé d'un moteur à explosion. NE PAS l'utiliser sur ou à proximité de terrains non aménagés, boisés ou couvert de buissons à moins que l'échappement ne soit équipé d'un pare-étincelles conforme aux réglementations locales et régionales en vigueur. S'il est utilisé, le pare-étincelles doit être maintenu en bon état de fonctionnement par l'opérateur. Voir le concessionnaire ou le centre d'entretien du fabricant du moteur.

## MONTAGE

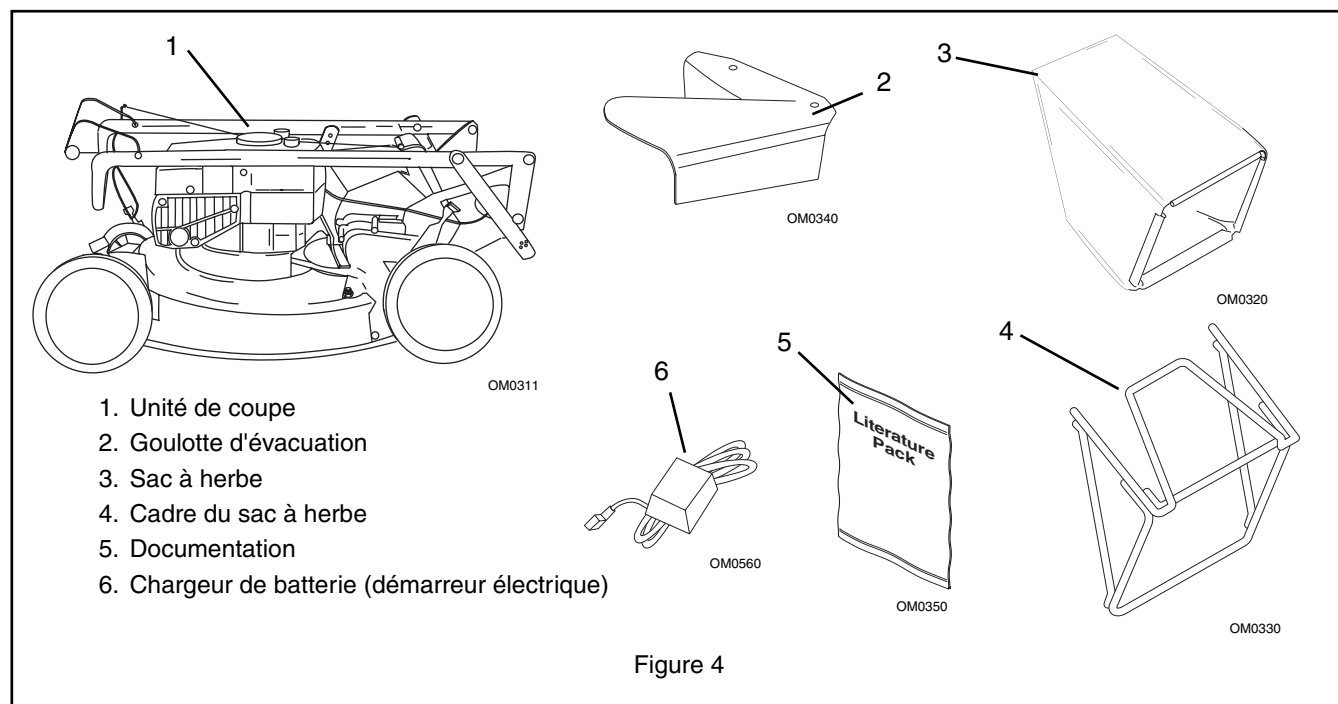
### OUTILS NÉCESSAIRES

- Clé ouverte de 7/16 in.

### DÉBALLAGE DE LA MACHINE

1. Couper le haut du carton.

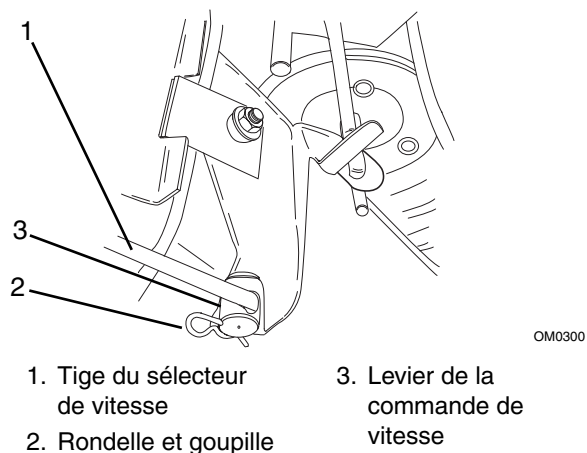
2. Retirer les inserts, avant et arrière, et la documentation.
3. Couper l'arrière du carton et faire rouler la machine pour la sortir.
4. Retirer l'emballage de protection.



### MONTAGE

1. Déplier et régler le guidon.
2. La tige du sélecteur de vitesse est livrée avec le guidon, la visserie en place. Retirer la goupille et la rondelle, insérer l'extrémité courbée de la tige du sélecteur de vitesse dans le trou de pivot de la manivelle de commande de vitesse.

3. Poser le sac à herbe sur son cadre.
4. Configurer la tondeuse pour l'ensachage, l'évacuation latérale ou le paillis. Voir *Configurations de la tondeuse* dans la section *Fonctionnement*.
5. Charger la batterie à fond. Voir *Entretien et réglages*.
6. Vérifier le fonctionnement des commandes du moteur et de la lame. Le moteur et la lame doivent s'arrêter dans les trois secondes qui suivent le relâchement des commandes au guidon.
7. Remplir le réservoir. Voir la section *Fonctionnement*.



# FONCTIONNEMENT

## COMMANDES ET CARACTÉRISTIQUES

Voir Figures 1 et 6 pour les commandes.

### Commande moteur/lame



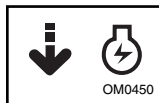
**AVERTISSEMENT** : NE PAS tenter de mettre le moteur en marche à ce stade. Se familiariser avec les commandes pour maîtriser leur fonctionnement. Avant tout, lire attentivement et comprendre le manuel de l'utilisateur.



**PRUDENCE** : Vérifier régulièrement la commande moteur/lame. Un mauvais fonctionnement peut entraîner des blessures.

Pour pouvoir mettre le moteur en marche, serrer la commande moteur/lame contre le guidon.

Le relâchement de la commande arrête le moteur et la lame.



### Guidon

Le guidon possède 4 positions suivant le trou sélectionné sur le support. Choisir une hauteur sûre et confortable puis insérer la broche dans le trou du support se rapprochant le plus proche de cette hauteur. Voir la section Réglage pour les instructions.

### Poignée du démarreur à cordon

Tirer sur la poignée pour faire tourner le moteur.

### Hauteur de coupe – Modèles Standard



**DANGER** : Pour éviter tout contact accidentel avec la lame, NE JAMAIS essayer de régler la hauteur de coupe tant que le moteur est en marche.



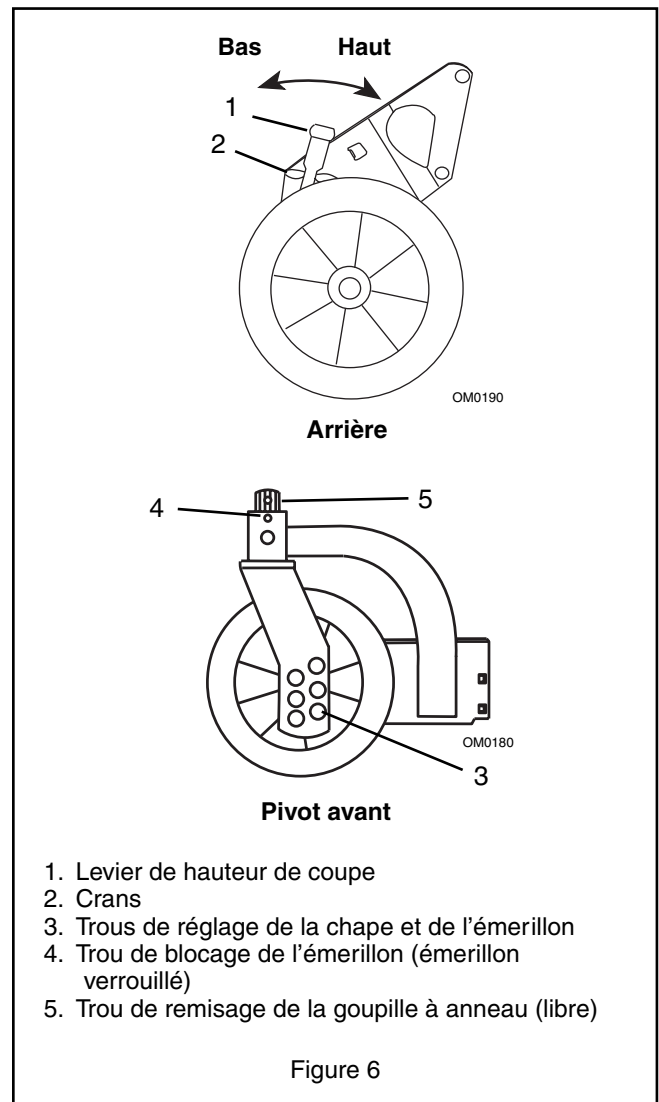
**PRUDENCE** : Sur les machines autotractées, les deux roues arrière doivent être réglées à la même hauteur pour assurer le fonctionnement correct de l'embrayage de traction.

Pour régler la hauteur de coupe, déplacer les leviers progressivement d'un cran jusqu'à obtention de la hauteur voulue. (Figure 6)

**REMARQUE** : Pour assurer une tonte régulière, régler les roues à la même hauteur.

### Réglage de la hauteur de coupe

Cran	Longueur de l'herbe
BAS	25 mm (1 in.)
2	35 mm (1-3/8 in.)
3	45 mm (1-3/4 in.)
4	57 mm (2-1/4 in.)
5	70 mm (2-3/4 in.)
HAUT	83 mm (3-1/4 in.)



## COMMANDES EN OPTION

Voir figures 1 et 6.

### Hauteur de coupe – Modèles à pivot



**PRUDENCE** : Sur les modèles à pivot, il est recommandé d'insérer une goupille à anneau dans le trou de blocage du pivot pour les déplacements en pente. Si les roues sont en position pivotante et les poignées de commande sont relâchées, la tondeuse risque de descendre la pente en roue libre. Ne jamais tondre dans des pentes raides.

Pour régler la hauteur de coupe par les roues avant, insérer la broche de la chape correspondant à la hauteur de coupe voulue. (Figure 6).

Pour régler la hauteur de coupe par les roues arrière, déplacer le levier d'un cran à l'autre jusqu'à obtention de la hauteur voulue. (Figure 6).

### Poire d'amorçage (moteur Briggs & Stratton)

Presser la poire d'amorçage pour ajouter du carburant dans le carburateur et faciliter la mise en marche.

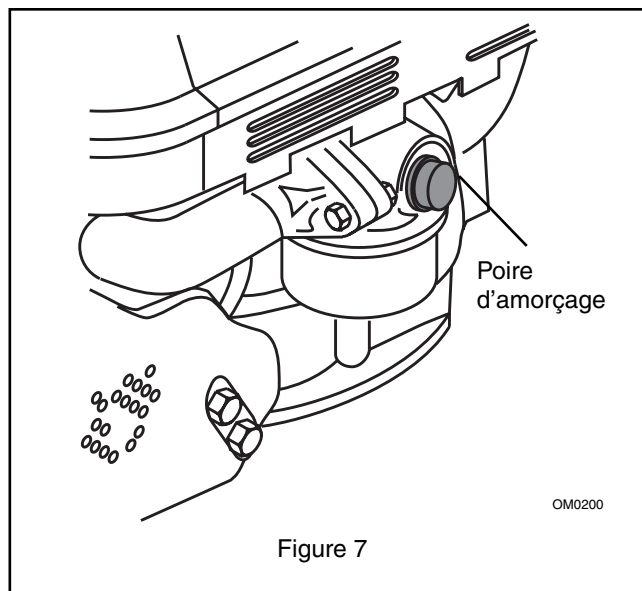


Figure 7

### Sélecteur de vitesses

Le sélecteur de vitesse permet de régler la vitesse de marche avant de la tondeuse.



Haute – Pousser le sélecteur à fond vers l'avant.

Basse – Tirer le sélecteur à fond vers l'arrière.

Sélecteur de vitesses sur vitesse lente et moteur en marche, enclencher la commande de traction des roues. Augmenter la vitesse à l'aide du sélecteur pour obtenir une vitesse de marche sûre et confortable. Une fois la vitesse sélectionnée, le sélecteur doit rester dans cette position. Dans le cas contraire, régler la tension du ressort du levier de commande de vitesses. (Voir *Réglages*).

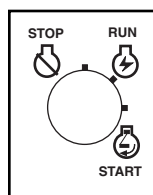
### Commande de traction



**PRUDENCE** : Si les leviers de commande des roues des modèles autotractés sont serrés contre le guidon au moment de la mise en marche du moteur, la tondeuse avance.

Moteur en marche, serrer lentement et maintenir la commande de traction contre le guidon pour faire avancer la tondeuse. Relâcher la commande pour l'arrêter.

### Commutateur d'allumage (démarreur électrique)



Le contacteur d'allumage est actionné à l'aide d'une clé amovible. Pour mettre la machine en marche, tourner le commutateur dans le sens horaire de la position « ARRÊT » à la position « DÉMARRAGE ». La clé retourne automatiquement sur « MARCHÉ ».

**Position « ARRÊT »** : Le démarreur est arrêté.

**Position « MARCHÉ »** : Les commandes sont fonctionnelles.

**Position « DÉMARRAGE »** : Le démarreur met le moteur en marche.

Pour arrêter le moteur, tourner la clé sur « Arrêt ».

### AVANT LE DÉMARRAGE



**PRUDENCE** : S'assurer que la visserie est serrée, les dispositifs de sécurité en place et que les réglages sont corrects.

1. Vérifier le niveau d'huile du carter moteur. Faire l'appoint ou la vidange d'huile moteur selon le besoin.
2. S'assurer que le filtre est propre. Nettoyer si nécessaire.
3. Vérifier la visserie et les dispositifs de sécurité.

## PLEIN D'ESSENCE



**AVERTISSEMENT : LES VAPEURS D'ESSENCE EXPLOSIVES et INFLAMMABLES** peuvent provoquer des blessures graves voire mortelles. Manipuler l'essence avec précaution. TOUJOURS utiliser un bidon d'essence homologué.

Ne pas fumer ! Ne pas approcher de matériaux enflammés !

Pas de flamme nue !

Laisser refroidir le moteur avant d'effectuer l'entretien.

L'essence est un produit extrêmement inflammable et doit être manipulée avec précaution. Laisser le moteur refroidir quelques minutes avant de retirer le bouchon du réservoir. Ne jamais faire le plein lorsque le moteur est en marche ou encore chaud. NE PAS tolérer la présence de flamme nue, d'allumette ou de cigarette. NE PAS trop remplir. Laisser environ 1/4 in. du réservoir libre pour contenir l'expansion du carburant. Essuyer le carburant renversé et laisser les vapeurs se dissiper avant de mettre le moteur en marche. Utiliser un bidon d'essence homologué (rouge).

Pour faire le plein :

1. Garer la tondeuse dans un endroit bien aéré.
2. Arrêter le moteur et le laisser refroidir.
3. Nettoyer le bouchon et autour du bouchon du réservoir pour empêcher la poussière, la saleté et les débris de pénétrer dans le réservoir.
4. Retirer le bouchon.

**IMPORTANT** : NE PAS utiliser de gasoil ou d'essence contenant de l'alcool pour ne pas endommager les pièces internes du moteur. Voir le Manuel du moteur pour le type correct d'essence.

5. Remplir le réservoir. (Voir la section *Spécifications* pour la contenance du réservoir.)
6. Remettre le bouchon et le resserrer.
7. TOUJOURS nettoyer l'essence renversée.

### Configurations



**PRUDENCE** : NE PAS utiliser la tondeuse sans plaque d'évacuation latérale ni déflecteur d'évacuation latéral. Des objets risquent d'être happés et projetés, provoquant dommage ou blessure. NE JAMAIS utiliser la machine avec la trappe arrière ouverte sauf si le sac à herbe est en place.

La tondeuse peut être configurée pour l'ensachage, l'évacuation latérale ou pour le paillis.

**Ensachage** : Soulever la trappe arrière et placer la barre du cadre du sac sur le rebord de la bride de montage et abaisser la trappe. S'il le faut, soulever l'arrière du cadre du sac pour le verrouiller en place.

S'assurer qu'il n'y a pas de jour entre le sac et la surface de montage une fois le sac posé. Si nécessaire, enlever les débris de la surface de montage du sac.

Pour déposer le sac, soulever la trappe arrière. Saisir la poignée, soulever le sac hors de sa bride de montage et refermer la trappe arrière.



**PRUDENCE** : Des objets risquent d'être éjectés. Vérifier l'état du sac à herbe fréquemment. Remplacer les sacs usés ou endommagés avec des sacs de rechange d'origine uniquement.

**Évacuation latérale** : Le sac à herbe étant retiré, dévisser les deux écrous fixant la plaque d'évacuation latérale à la tondeuse. Soulever la plaque pour libérer les pattes des fentes et déposer la plaque de la tondeuse.

Placer les trous du déflecteur d'évacuation sur les goujons de la tondeuse. Placer la patte arrière du déflecteur sur le bord de l'orifice d'évacuation. Fixer le déflecteur avec la visserie de la plaque.



**AVERTISSEMENT** : NE JAMAIS diriger l'évacuation vers des personnes. Ne tolérer personne à proximité des accessoires quand la tondeuse est en marche.

**Paillis** : Déposer le sac à herbe et poser la plaque d'évacuation latérale. Ouvrir la trappe arrière et insérer un déflecteur à paillis Mulchmaster, côté biseauté à gauche. La trappe arrière doit se fermer hermétiquement.

**IMPORTANT** : Pour une production de paillis maximum, poser le colis de production de paillis Mulchmaster. Les instructions de montage accompagnent le colis.

### ARRÊT D'URGENCE

Pour arrêter d'urgence la tondeuse, relâcher à la fois la commande moteur/lame et la commande de traction. Attendre que les pièces en mouvement soient arrêtées avant de quitter la position de l'utilisateur.

### MISE EN MARCHÉ ET ARRÊT

Voir Figures 1, 4 et 5 pour les commandes.

**REMARQUE** : Mettre en marche le moteur sur une surface plane dure et sans débris.

### Démarrage manuel

1. Sur les moteurs avec poire d'amorçage, appuyer sur la poire d'amorçage 2 ou 3 fois lorsque le moteur est froid.
2. Pour les moteurs avec starter, mettre la manette des gaz sur Starter. Une fois le moteur en marche, mettre la manette sur le cliquet de régime maximum.
3. Commande moteur/lame contre le guidon, saisir la manette et tirer lentement sur le cordon jusqu'à sentir une résistance. Il s'agit de la course de compression. Laisser le cordon s'enrouler lentement. Puis tirer à fond par mouvements rapides pour mettre le moteur en marche. Laisser le cordon s'enrouler lentement.

**IMPORTANT** : NE PAS relâcher brusquement la poignée du starter contre le moteur.

4. Recommencer jusqu'à ce que le moteur se mette en marche. (Si le moteur ne démarre pas, voir la section *Dépannage*.)

**REMARQUE** : Il n'est pas nécessaire d'amorcer un moteur chaud.

Si l'accumulation d'herbe sous le carter empêche le démarrage, tourner la lame à l'aide du démarreur manuel pour passer l'obstacle.

Il est possible d'utiliser le démarreur manuel (voir la section Démarrage manuel).

### Arrêt de la machine

1. Sur les modèles autotractés, relâcher la commande de traction et laisser la tondeuse s'arrêter.
2. Relâcher la commande moteur/lame et laisser le moteur refroidir.
3. Sur les modèles à démarreur électrique, mettre la clé de contact sur ARRÊT et retirer la clé.



**PRUDENCE** : TOUJOURS retirer la clé lorsque la machine n'est pas utilisée pour éviter un démarrage accidentel ou l'utilisation par des personnes non autorisées.

### Conseils de tonte



**PRUDENCE** : Sur les modèles à émerillon, il est recommandé d'insérer une goupille à anneau dans le trou de blocage du pivot pour les déplacements en pente. Si les roues sont en position pivotante et les poignées de commande sont relâchées, la tondeuse risque de descendre la pente en roue libre. Ne jamais tondre dans des pentes raides.



**PRUDENCE** : Si une obstruction s'oppose au passage de l'herbe, relâcher la commande moteur/lame et débrancher le fil de la bougie avant de débarrasser.

Les conseils suivants facilitent la tonte en toute sécurité, assurent de bonnes performances de la tondeuse tout en améliorant l'aspect de la pelouse.

Pour l'ensachage, relâcher la commande moteur/lame pour arrêter le moteur et la lame avant de déposer et de vider le sac. Vider le sac avant qu'il ne soit trop plein et ne bouche la tondeuse.

Le remise en marche du moteur est plus facile si tous les débris ont été évacués avant l'arrêt.

**REMARQUE** : Vider le sac et nettoyer le carter après chaque utilisation. Ne pas laisser d'accumulation ou une couche de débris se former dans le sac ou sous le carter de coupe.

**REMARQUE** : Éviter d'utiliser la tondeuse sur des sols nus ne comportant que des touffes d'herbe parsemées. Ceci évite l'accumulation de saleté et d'herbe sous le carter et dans le sac à herbe.

Assurer une bonne circulation d'air pour éviter l'accumulation de débris. Déposer le sac à herbe de la tondeuse, le laver à l'aide d'un jet et le laisser sécher.

### Conseils pour le paillis

Pour une production de paillis optimale, régler la hauteur de la tondeuse à 3 in. Si l'herbe est très haute, ne pas couper plus de 1 in. à la fois.

Couper uniquement l'herbe sèche, s'abstenir quand elle est humide de rosée, de pluie ou après arrosage. L'herbe humide tend à s'agglomérer à l'intérieur du carter de coupe. Si une trop grande quantité d'herbe est coupée à la fois, si l'herbe est mouillée ou si la tondeuse est trop rapide, les débris ne se dispersent pas régulièrement.



## ENTRETIEN

Les concessionnaires assurent l'entretien, le réglage et fournissent les pièces de rechange nécessaires au fonctionnement optimal de la tondeuse. Si l'entretien du moteur s'avère nécessaire, s'adresser au concessionnaire ou au centre d'entretien homologué par le fabricant du moteur.

### PÉRIODICITÉ D'ENTRETIEN

Le tableau indique les intervalles d'entretien recommandés et qui doivent être effectués régulièrement. Un entretien plus fréquent peut être nécessaire selon les conditions de travail (fortes charges, hautes températures ambiantes, conditions poussiéreuses ou débris).

Voir le manuel du moteur pour de plus amples informations concernant l'entretien et le dépannage.

PÉRIODICITÉ D'ENTRETIEN				
Entretien effectué	Tous les jours	25	50	100
Filtre à air	●			
Niveau d'huile moteur	● *	●		
Lame	●			
Courroie d'entraînement	●			
Commande moteur/lame	●			
Sac à herbe	●			
Commande de traction		●		
Graissage général		●		
Attaches		●		
Bougie				●
Circuit de refroidissement du moteur				●
Silencieux				●

\* Après les deux premières heures de fonctionnement.



#### **AVERTISSEMENT : LES PIÈCES ROTATIVES**

peuvent sectionner un membre. Éloigner les mains et les pieds. Les vêtements larges, les cheveux longs ou les écharpes peuvent être happés par les pièces en rotation et provoquer la mort ou des blessures graves.



**AVERTISSEMENT :** Arrêter le moteur, attendre que les pièces en mouvement soient arrêtées et débrancher le fil de la bougie (éloigner le fil de la bougie pour éviter un démarrage accidentel) avant d'entreprendre le graissage ou l'entretien.



**PRUDENCE :** NE PAS toucher les pièces du moteur encore chaudes après le fonctionnement. **TOUJOURS** laisser les pièces refroidir avant d'entreprendre l'entretien.

### VÉRIFICATION DU FILTRE À AIR (moteur Briggs & Stratton)

Voir le manuel du moteur pour la procédure spécifique.

### VÉRIFICATION DU NIVEAU D'HUILE MOTEUR

**IMPORTANT :** Vidanger l'huile moteur après les deux (2) premières heures de fonctionnement. Vidanger l'huile toutes les 25 heures par la suite (plus souvent dans des conditions poussiéreuses). Voir le manuel du moteur.

### VÉRIFICATION DE LA LAME

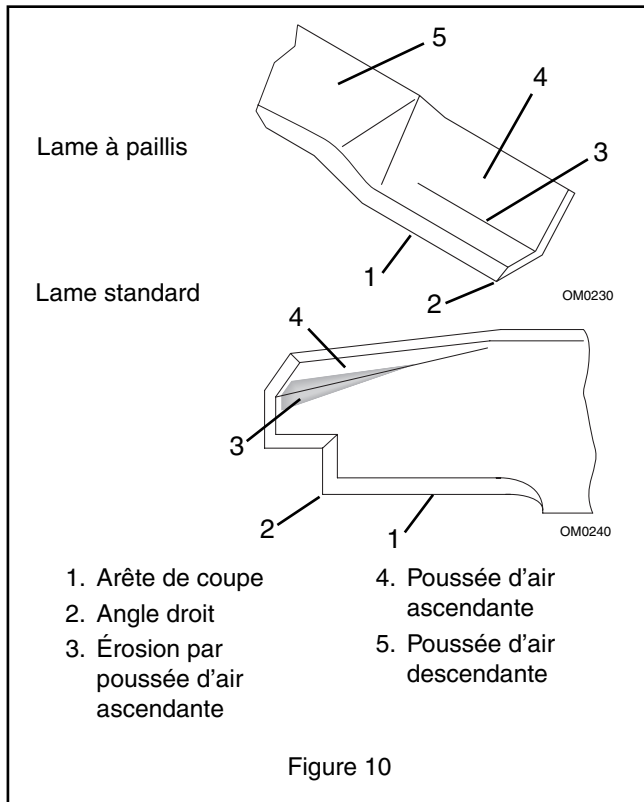
Voir figures 10 et 11.

Examiner les lames régulièrement et s'assurer qu'elles ne sont pas usées et que la rondelle de blocage est complètement comprimée par la vis (couple de serrage requis : 34–41 Nm [25–30 lb ft]).

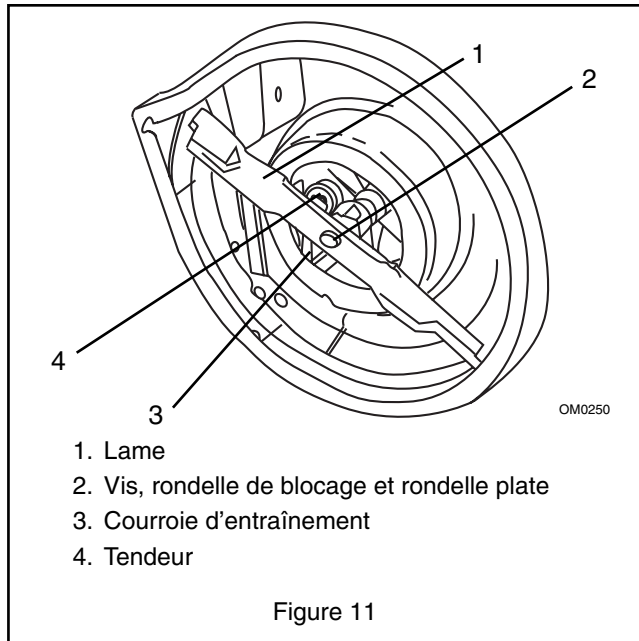
Pour affûter la lame :

1. Caler la lame pour l'empêcher de tourner.
2. Dévisser la vis, déposer la rondelle de blocage et la lame de l'arbre.
3. Affûter les deux extrémités de la lame à l'angle d'origine (25°) et enlever la même quantité de métal de chaque côté pour maintenir l'équilibre de la lame. Les lames neuves sont équilibrées à 1.3 in. oz. en usine. NE PAS meuler de l'extrémité de la lame en courbe. Si le fil de la lame ne peut pas être affûté en ligne droite jusqu'à 3 mm (1/8 in.) de l'extrémité, la remplacer par une lame uniquement.
4. Poser la lame, la rondelle de blocage et serrer la vis jusqu'à ce que la rondelle soit complètement comprimée (couple de 34–41 Nm [25–30 lb ft] sur les écrous).

**IMPORTANT :** Si la tondeuse est utilisée sur un sol sablonneux remplacer les lames lorsque le déflecteur est usé.



## VÉRIFICATION DE LA COURROIE D'ENTRAÎNEMENT



Vérifier l'état de la courroie d'entraînement. La remplacer elle est usée ou endommagée. Voir *Entretien et réglages*.

## VÉRIFICATION DE LA COMMANDE MOTEUR/LAME

Le moteur et la lame doivent s'arrêter dans les 3 secondes suivant le relâchement des commandes du guidon. S'ils continuent à tourner, régler ou réparer la commande immédiatement. Voir *Réglages*.

## VÉRIFICATION DU SAC À HERBE

Vérifier que le sac à herbe n'est ni usé ni endommagé. Veiller à ce qu'il soit propre et sec. Remplacer uniquement par un sac de rechange d'origine.

## VÉRIFICATION DE LA COMMANDE DE TRACTION

Vérifier le fonctionnement de la commande de traction. La commande de traction doit être complètement désenclenchée quand la commande du guidon est relâchée. Régler le jeu de la poignée guidon si nécessaire. Voir *Réglages*.

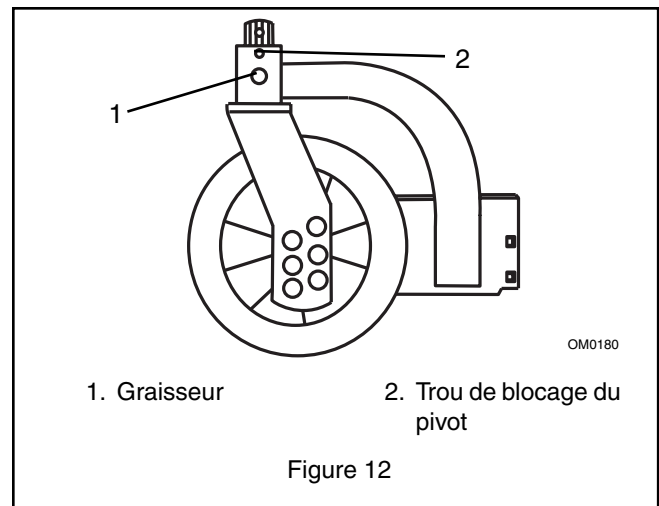
## GRAISSAGE GÉNÉRAL

La tondeuse ne nécessite pas de graissage. Les roues sont montées pour fonctionner toute la vie de la tondeuse sans graissage.

### Graissage du pivot (Tondeuses à pivot)

Voir Figure 12.

**REMARQUE :** Laisser la goupille à anneau dans le trou du pivot pendant le graissage.



## VÉRIFICATION DES ATTACHES

Vérifier la solidité des attaches. En particulier, la visserie de la lame, l'ensemble des garants, des protections et des dispositifs de sécurité.

## VÉRIFICATION DE LA BOUGIE

Nettoyer la bougie ou la remplacer (s'il le faut) et régler l'écartement des électrodes à 0,76 mm (0.03 in.) toutes les 100 heures ou une fois par an, à la première échéance.

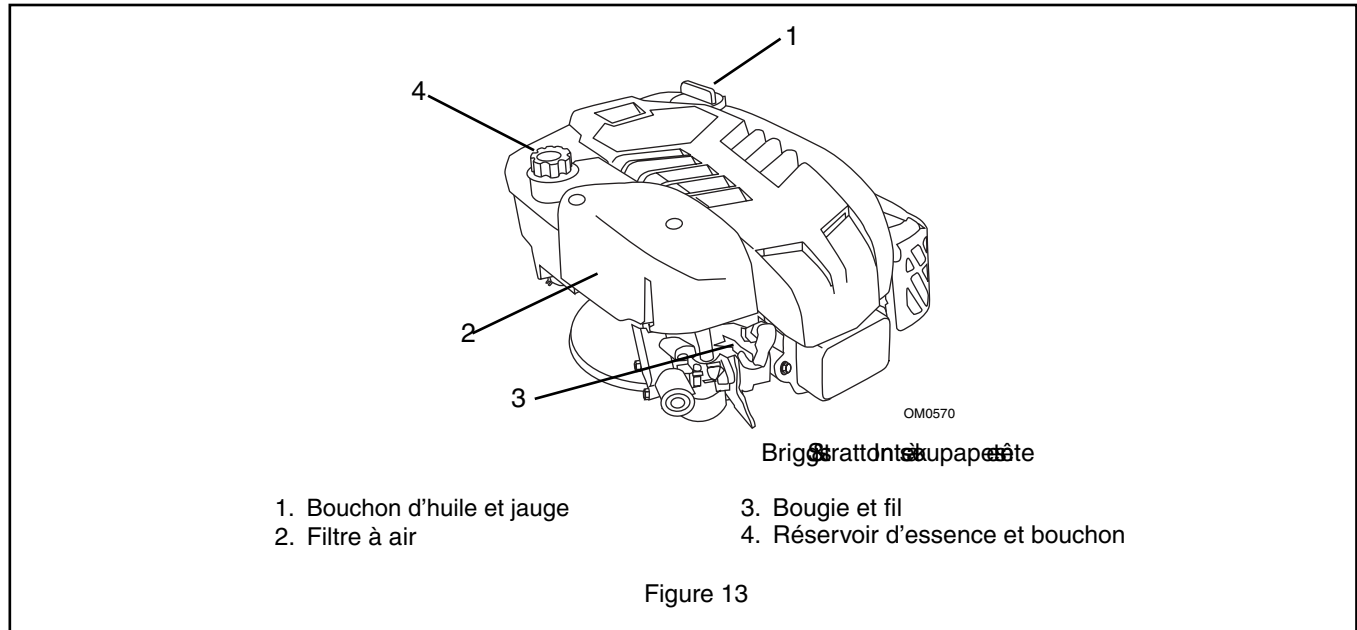
Pour la nettoyer :

1. Enlever les débris autour du bas de la bougie.
2. Dévisser la bougie.

3. Gratter la bougie et la nettoyer avec un solvant. NE PAS la sabler.

4. Remettre la bougie.

**REMARQUE** : Si le capuchon n'est pas serré sur la bougie, des étincelles peuvent se produire. Remplacer le capuchon s'il est endommagé.



## VÉRIFICATION DU CIRCUIT DE REFROIDISSEMENT DU MOTEUR

Le moteur est refroidi à l'air. L'air doit circuler librement autour du moteur, de l'admission d'air jusqu'aux ailettes de refroidissement situées sur la culasse et le bloc-cylindres pour empêcher la surchauffe.



**AVERTISSEMENT** : Les SURFACES CHAUDES peuvent provoquer des blessures graves voire mortelles. NE PAS TOUCHER les pièces chaudes. TOUJOURS laisser les pièces refroidir après l'arrêt de la machine.

Toutes les 100 heures de fonctionnement ou annuellement (plus souvent si les conditions le demandent), déposer les déflecteurs de refroidissement et nettoyer les ailettes. Nettoyer les surfaces externes du moteur et enlever la poussière, la saleté et l'accumulation d'huile qui peuvent empêcher un bon refroidissement.

**IMPORTANT** : NE PAS faire tourner le moteur si le boîtier du ventilateur est déposé pour éviter la surchauffe et des dégâts au moteur.

## VÉRIFICATION DU SILENCIEUX

Vérifier que le silencieux n'est pas fendu, usé ou autrement endommagé. Remplacer immédiatement un silencieux usé. Un silencieux usé peut provoquer des incendies ou des explosions.

## POSITION POUR L'ENTRETIEN



**AVERTISSEMENT : UN DÉMARRAGE ACCIDENTEL DU MOTEUR** peut provoquer des blessures graves, voire mortelles. **TOUJOURS** arrêter le moteur, retirer la clé de contact, attendre l'arrêt des pièces en mouvement et débrancher le fil de la bougie avant tout réglage ou toute intervention d'entretien.

Placer la machine sur une surface plate et de niveau. **ARRÊTER** le moteur. S'assurer que la machine est bien calée et qu'elle ne va pas se renverser. L'attacher avec des sangles ou des colliers sur un établi si nécessaire.



**PRUDENCE** : Avant de basculer la tondeuse, vider le réservoir d'essence suffisamment pour ne pas renverser d'essence. Boucher le goulot du réservoir d'essence avec un morceau de sac en plastique : enlever le bouchon du réservoir, couvrir le goulot avec une feuille de plastique, revisser le bouchon et bien le serrer. Veiller à retirer le plastique avant de faire fonctionner la tondeuse.

Une position « entretien » du guidon est prévue pour pouvoir basculer la tondeuse pour le nettoyage et l'entretien (Figure 14). Voir *Réglages*.

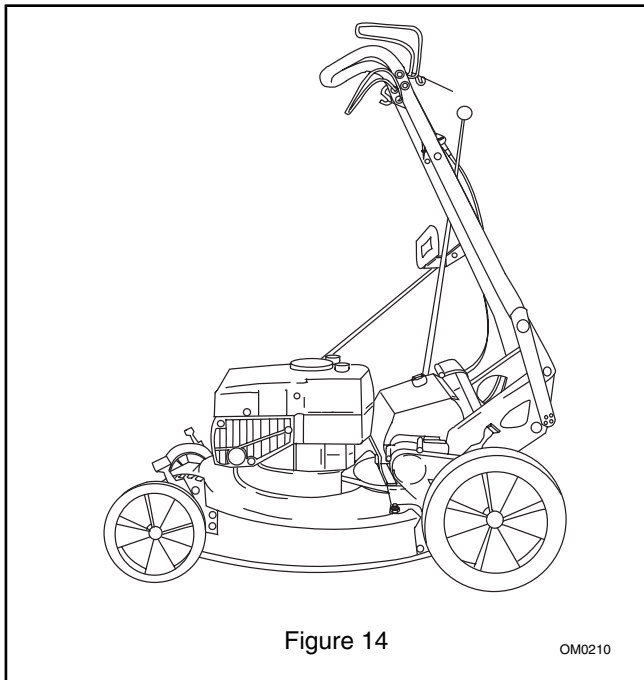


Figure 14

OM0210

**IMPORTANT** : Pour basculer la tondeuse pour l'entretien, utiliser la position illustrée ci-dessous correspondant à la marque et au modèle du moteur :

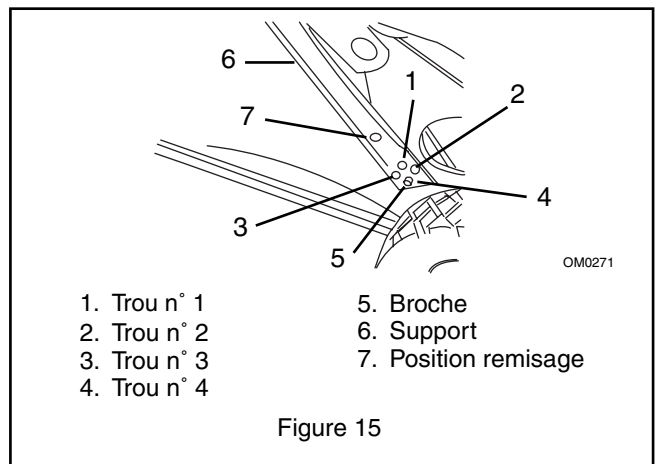
**Moteurs Briggs & Stratton Intek** : placer le guidon en position entretien et pencher la tondeuse sur la gauche, sur le côté opposé à l'orifice d'évacuation.

**IMPORTANT** : Si le moteur est « noyé » suite au basculement, nettoyer le filtre à air (voir *Entretien*) et déposer la bougie, ajouter une cuillerée à thé d'huile dans le cylindre, renverser le moteur plusieurs fois et reposer la bougie.

## GUIDON

Pour régler la hauteur du guidon (Figure 15) :

1. Place un trou (1-4) au bas des supports sur les broches.
2. Pour la position entretien, retirer les supports des broches, tourner le guidon vers l'avant et placer les broches dans les trous des supports.



- |              |                      |
|--------------|----------------------|
| 1. Trou n° 1 | 5. Broche            |
| 2. Trou n° 2 | 6. Support           |
| 3. Trou n° 3 | 7. Position remisage |
| 4. Trou n° 4 |                      |

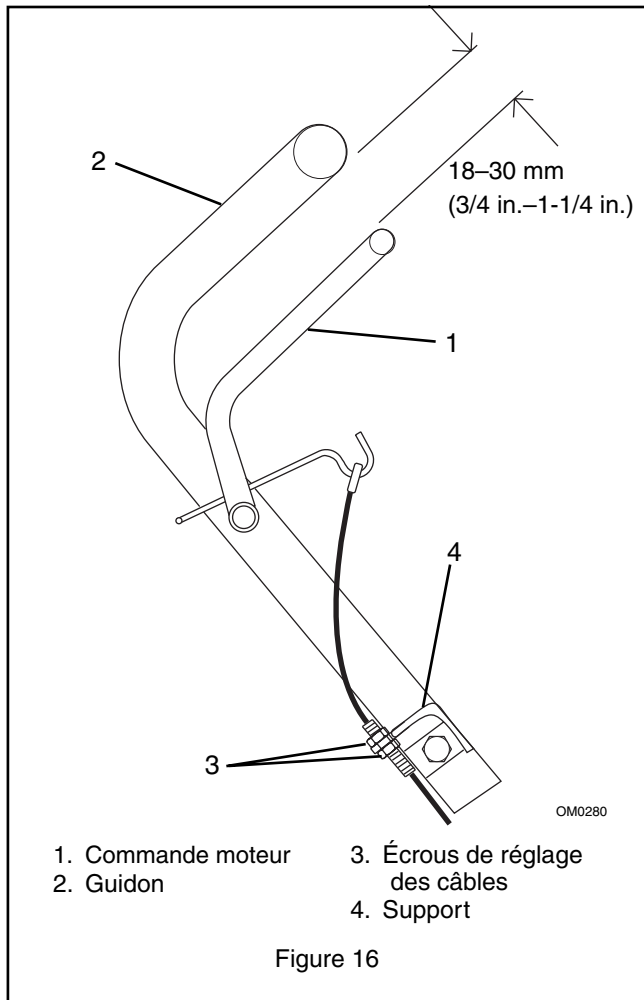
Figure 15

## COMMANDE MOTEUR/LAME

La commande du moteur doit arrêter l'allumage dès qu'elle s'éloigne de 18 à 30 mm (3/4 à 1-1/4 in.) du guidon quand elle est relâchée.

Pour s'en assurer (Figure 16) :

1. Mettre le moteur en marche et relâcher lentement la commande moteur jusqu'à ce que le moteur s'arrête.
2. Mesurer la distance entre le guidon et la commande au point où le moteur s'arrête.
3. Si la distance est supérieure à 30 mm (1-1/4 in.), tourner l'écrou au support du guidon dans le sens horaire et le tourner dans le sens anti-horaire si elle est inférieure à 18 mm (3/4 in.).
4. Serrer les écrous contre le support pour verrouiller.



## COURROIE D'ENTRAÎNEMENT (Tondeuses autotractées)

Dépose de la courroie :

1. Placer le levier de réglage de hauteur de la roue arrière droite sur le premier cran et celui de la roue arrière gauche sur le troisième. Ce réglage permet de créer un écartement entre le volant de friction et le disque d'entraînement.
2. Retirer la courroie du tendeur, du disque d'entraînement et de la poulie.

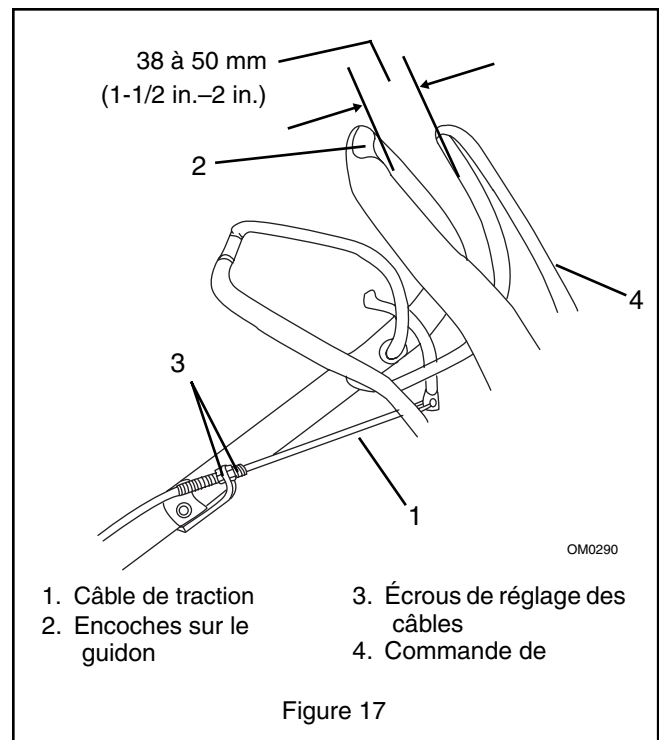
3. Tirer la courroie par l'ouverture sous le carter et au-dessus de la lame.
4. S'assurer que la poulie du tendeur tourne librement et que le tendeur pivote librement.
5. Reposer la courroie d'entraînement dans l'ordre inverse à la dépose. S'assurer que la courroie est bien assise dans les rainures de la poulie, tendeur au dos (à plat) de la courroie.

## ROUE MOTRICE

Voir Figure 17.

Lorsque la commande de traction est serrée contre le guidon, le ressort situé au bas du câble de traction doit s'allonger lorsque la commande se trouve entre 38 et 50 mm (1-1/2 et 2 in.) du guidon. Vérification :

1. Serrer la commande de traction vers le guidon jusqu'à ce que le ressort commence à s'allonger.
2. Mesurer la distance entre la commande de traction et le guidon au niveau de l'encoche dans le guidon.
3. Visser les écrous des câbles pour obtenir la bonne distance. Les tourner dans le sens horaire si la distance est supérieure à 50 mm (2 in.) et dans le sens anti-horaire si elle ne dépasse pas 38 mm (1-1/2 in.). Serrer les écrous contre le support pour verrouiller le réglage. Si la longueur de filetage est insuffisante pour le réglage, régler l'extrémité opposée du câble.

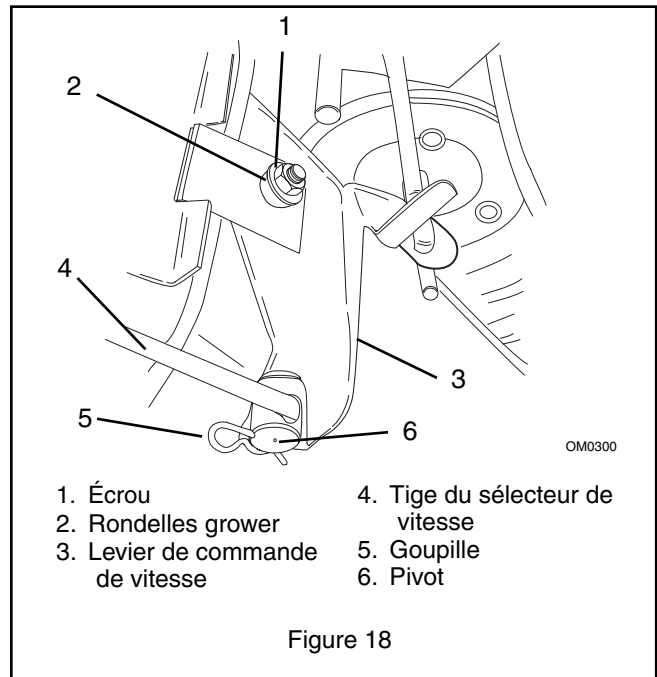


## Levier de commande de vitesse

Le levier de commande de vitesse maintient la tige du sélecteur de vitesse en place une fois la vitesse sélectionnée. Les rondelles élastiques peuvent se détendre à l'usage. Si la tige du sélecteur de vitesse ne reste pas fermement en place, régler le levier de commande de vitesse. Voir Figure 18.

Pour le régler :

1. Retirer le couvercle, comprimer complètement la rondelle grower avec l'écrou puis desserrer l'écrou d'un demi-tour.
2. Si la tige du sélecteur est encore flottante, serrer l'écrou progressivement jusqu'à ce qu'elle reste en place. Serrer l'écrou excessivement bloque les mouvements de la tige du sélecteur de vitesse.
3. Aligner l'encoche du côté gauche du couvercle à l'aide de l'écrou et fermer le couvercle avec le bouton.



## REMISAGE



**AVERTISSEMENT** : Les VAPEURS EXPLOSIVES et le CARBURANT INFLAMMABLE peuvent entraîner des blessures graves, voire mortelles. NE PAS remiser la machine avec un réservoir contenant du carburant dans un bâtiment où il y a risque d'incendie. Vidanger le carburant à l'extérieur et à l'écart de toute source d'étincelle. Laisser refroidir le moteur avant de remiser la machine dans un local clos. Utiliser uniquement des récipients pour carburant homologués.

**IMPORTANT** : NE JAMAIS asperger la machine avec de l'eau ou la remiser en plein air. Les roulements ne sont étanches qu'à la poussière et l'eau peut s'y infiltrer et raccourcir leur durée de vie. Remiser la tondeuse dans un endroit protégé, frais et sec.

### Nettoyage

Nettoyer soigneusement la tondeuse. Enlever la poussière et les débris à l'aide d'une brosse. Peindre et enduire de graisse les joints métalliques et les surfaces exposées. Ne pas utiliser d'abrasif, de solvant ou de détergent puissant.

### Inspection

Rechercher sur la tondeuse les signes d'usure et de dégât. Commander les pièces nécessaires et effectuer immédiatement les réparations pour éviter des délais au moment d'utiliser de nouveau la machine.

S'assurer que tous les écrous et les vis sont bien serrés et que la machine est en bon état de fonctionnement. Vérifier toute la visserie à intervalles réguliers.

### Sac à herbe

Déposer le sac à herbe et le nettoyer avant de le remiser. Il peut être remisé posé sur la tondeuse. Veiller à ce que le sac soit sec pendant le remisage.

### Batterie

Charger complètement la batterie et la remiser dans un endroit frais et sec. Si la température extérieure prévue descend en dessous de zéro pendant de longues périodes, déposer la batterie de la tondeuse et la remiser dans un local protégé, frais et sec. Ne pas laisser la batterie geler. Voir *Entretien et réglages*.

### Moteur

Lorsque la machine doit être remisée pendant une période prolongée, retirer toute l'essence du réservoir et du carburateur (faire tourner le moteur jusqu'à épuisement de l'essence). Voir le manuel du moteur.

## DÉPANNAGE

PROBLÈME	CAUSE PROBABLE	SOLUTION
<b>Le moteur ne démarre pas</b>	<ol style="list-style-type: none"> <li>1. Réservoir vide ou presque vide.</li> <li>2. Fil de bougie desserré ou débranché.</li> <li>3. Le câble de commande moteur/frein s'est détaché, est cassé ou n'est pas correctement réglé.</li> <li>4. Batterie déchargée.</li> </ol>	<ol style="list-style-type: none"> <li>5. Vérifier le niveau de carburant. Faire le plein selon le besoin.</li> <li>6. Vérifier les connexions.</li> <li>7. Vérifier le câble de commande moteur/frein. Régler, réparer ou remplacer selon le besoin.</li> <li>8. Charger ou remplacer la batterie selon le besoin.</li> </ol>
<b>Le mécanisme d'autotraction ne s'enclenche pas.</b>	<ol style="list-style-type: none"> <li>1. L'étrier d'entraînement n'est pas engagé.</li> <li>2. Courroie d'entraînement mal posée.</li> <li>3. Courroie d'entraînement usée ou endommagée.</li> <li>4. Hauteur de coupe des roues arrière inégale.</li> <li>5. Volant de friction mal réglé ou endommagé.</li> <li>6. Tendeur et son ressort mal posés.</li> <li>7. Câble de traction détaché ou cassé.</li> <li>8. Roulements endommagés.</li> <li>9. Débris dans les engrenages.</li> </ol>	<ol style="list-style-type: none"> <li>10. Enclencher l'étrier d'entraînement.</li> <li>11. Vérifier la courroie d'entraînement. Régler selon le besoin.</li> <li>12. Remplacer la courroie.</li> <li>13. Régler la hauteur de coupe de la roue arrière de manière à ce que la hauteur de coupe soit égale des deux côtés.</li> <li>14. Régler ou remplacer le volant de friction.</li> <li>15. Vérifier le tendeur et son ressort. Régler selon le besoin.</li> <li>16. Vérifier le câble d'entraînement. Régler, réparer ou remplacer selon le besoin.</li> <li>17. Remplacer les roulements. Contacter le concessionnaire.</li> <li>18. Enlever les débris. Contacter le concessionnaire.</li> </ol>

### CARACTÉRISTIQUES

<b>Numéro du modèle</b>	907254
<b>Description</b>	LM21SW
Longueur – cm (in.)	156 (61.5)
Hauteur – cm (in.)	96,5 (38)
Largeur – cm (in.)	58,4 (23)
Poids – kg (lbs)	47,6 (105)
Largeur de coupe – cm (in.)	53,3 (21)
Hauteur de coupe – cm (in.)	6 Positions : 2,5–8,3 (1.00–3.25)
Moteur 4 temps	Briggs & Stratton Intek à soupapes en tête
Puissance moteur maxi – kw (CH)	3,26 (4.37)
Vitesse de rotation maxi de l'arête de coupe – min <sup>-1</sup> (tr/min)	3100
Régime régulé	3000 +/- 100
Cylindrée – cc (cu. in.)	11.57 (190)
Alésage	Aluminum
Type d'huile moteur	SAE 30
Contenance du carter moteur – Litre (Oz.)	0,65 (22)

### CARACTÉRISTIQUES

Circuit de graissage	Barbotage
Filtere à huile moteur	Néant
Écartement des électrodes de bougie – mm (in.)	0,76 (0.030)
Carburant	Sans plomb
Manette des gaz/starter	Standard
Filtere à air	Filtere en papier
Mise en marche	Manuelle
Différentiel	Standard
Vitesses variables – km/h (MPH)	0–6,4 (0–4)
Unité de coupe	Jauge 14 – acier estampé
Poignée réglable	Quatre positions
Ø roues avant – cm (in.)	19,1 (7.5)
Ø roues arrière – cm (in.)	26,7 (10.5)



**Ariens Company**  
655 West Ryan Street  
P.O. Box 157  
Brillion, WI 54110-0157  
1-877-466-0812  
Télécopieur 920-756-2407  
www.ariens.com

## Garantie limitée de 2 ans

La société Ariens garantie au premier acheteur que les produits de consommation fabriqués par Ariens sont exempts de vices de fabrication et de matériau pour une durée de deux (2) ans à partir de la date d'achat, et s'engage à réparer ou à remplacer le matériel ou les pièces défectueux suivant les conditions, les limites et les exclusions mentionnées ci-dessus.

Cette garantie de deux ans ne s'applique que si le produit est utilisé de façon raisonnable et normale pour des besoins domestiques courants. Si le produit est utilisé dans un but professionnel ou commercial, notamment, les services de paysagerie, de tonte ou de déblaiement de neige, l'entretien de parcs ou de terrain de golf, ainsi que les utilisations agricoles ou fermières, la durée de la garantie sera de quatre-vingt-dix (90) jours ou un an suivant la date d'achat si le produit est utilisé comme produit commercial/ professionnel. En cas de location ou de leasing du produit, la durée de cette garantie sera fixée à quatre-vingt-dix (90) jours après la date d'achat.

### Cette garantie fait l'objet des exclusions, conditions et limites suivantes :

#### Cette garantie s'applique uniquement si les conditions suivantes sont réunies :

- Remplir la carte d'enregistrement et la renvoyer à Ariens.
- L'acheteur doit effectuer l'entretien et les réglages mineurs en conformité avec le manuel du propriétaire.
- L'acheteur doit rapidement aviser la société Ariens ou un représentant Ariens agréé si un service sous garantie est nécessaire.

#### Limitations de cette garantie :

- L'acheteur doit assurer le transport du produit vers/du lieu où la réparation sous garantie sera effectuée.
- Le service de garantie doit être effectué par un concessionnaire agréé par Ariens. (Contacter la société Ariens à numéro de téléphone et à l'adresse ci-dessus pour trouver un représentant Ariens autorisé.)
- Les batteries sont garanties pendant douze (12) mois seulement après la date d'achat, au prorata. La batterie défectueuse sera remplacée gratuitement dans les premiers quatre vingt dix (90) jours de la garantie. Si la garantie applicable dépasse quatre vingt dix (90) jours, la société Ariens courra le prix au prorata de la batterie défectueuse, jusqu'à douze (12) mois après la date d'achat.

#### Les articles suivants ne sont pas couverts par la garantie :

- Les moteurs et les accessoires moteur ne sont couverts que pas le fabricant du moteur, cette garantie ne les couvre pas.
- Si le produit est équipé d'une boîte de renvoie et/ou transmission, celles-ci sont couvertes uniquement par la garantie de Peerless et ne sont pas couvertes par cette garantie.
- Les pièces de rechange qui ne sont pas d'origine Ariens ne sont pas couvertes par cette garantie.
- Les semelles, les patins, les lames grattoir, les vis, les lames de coupe, les déflecteurs d'unité de coupe, les phares, les ampoules ne sont pas couverts par cette garantie.
- Tout défaut résultant d'une mauvaise utilisation, d'altération, d'un montage ou d'un réglage incorrect, d'une négligence ou d'un accident, n'est pas couvert par cette garantie.
- Les produits qui n'ont pas été achetés aux États-Unis, à Porto Rico ou au Canada ne sont pas couverts par cette garantie.

### LIMITES DE RECOURS ET DE DÉGÂTS

La responsabilité de la société Ariens selon cette garantie légale, et selon toute garantie implicite pouvant exister, se limite à la réparation ou au remplacement de toute pièce défectueuse. La société Ariens ne pourra être tenue responsable de dommages accessoires, particuliers ou indirects (y compris les pertes de profits). Certains états n'autorisent pas l'exclusion en cas de dommages accidentels ou indirectes, les limitations ou exclusions ci-dessus peuvent ne pas vous concerner.

### DÉNI DE RESPONSABILITÉ SUPPLÉMENTAIRE

**La société Ariens n'assure aucune garantie, implicite ou explicite, autre que celle exprimée dans cette garantie. Si la loi de l'état prescrit qu'une garantie implicite de qualité marchande ou d'adaptation à une utilisation particulière s'applique à Ariens, une telle garantie se limite à la durée de cette garantie explicite. Certains États n'autorisent pas les limitations de durée des garanties implicites; la déclaration ci-dessus peut ne pas vous concerner.**

**Cette garantie vous donne des droits légaux spécifiques; d'autres droits peuvent s'appliquer en fonction de votre État de résidence.**

Form: SLW2-111299FR



# CONTENIDO

Controles y características . . . . .	3	Mantenimiento y ajustes . . . . .	54
Introducción . . . . .	41	Almacenamiento . . . . .	56
Seguridad . . . . .	42	Resolución de problemas . . . . .	57
Montaje . . . . .	46	Especificaciones . . . . .	57
Funcionamiento . . . . .	47	Garantía. . . . .	58
Mantenimiento . . . . .	51	Piezas de repuesto. . . . .	59

# INTRODUCCIÓN

## EL MANUAL

Antes de poner en funcionamiento la unidad, leer atentamente y comprender los manuales. El contenido de los mismos le ayudará a entender los controles y las instrucciones de seguridad durante el funcionamiento y mantenimiento normales.

Todas las referencias a la izquierda, derecha, adelante o atrás se dan desde la posición de funcionamiento y orientado en la dirección de avance.

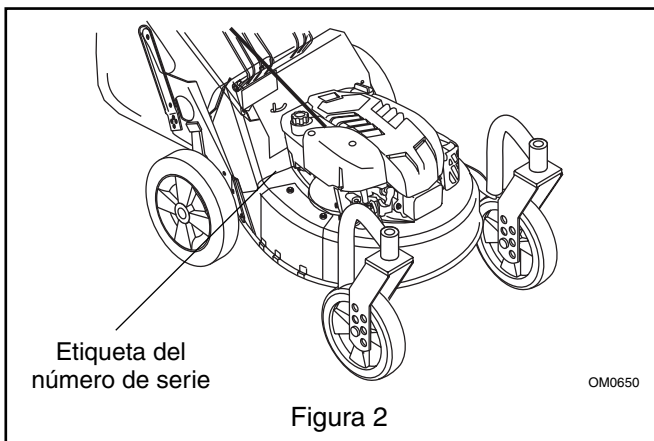
## MANTENIMIENTO Y PIEZAS DE REPUESTO

Al pedir piezas de repuesto o al hacer preguntas sobre mantenimiento, conocer los números de modelo y de serie de la unidad y del motor.

Los números aparecen en el formulario de registro del producto del paquete de información de la unidad. Están también impresos sobre una etiqueta del número de serie, situada en el chasis de la unidad (Figura 2).

- Anotar aquí los números de modelo y de serie de la unidad.

- Anotar aquí el modelo del motor y los números de serie.



## REGISTRO DEL PRODUCTO

En el momento de la compra se debe rellenar, firmar y devolver la tarjeta de registro de la garantía. Esta tarjeta activa la garantía. Se aceptarán las reclamaciones que cumplan con los requisitos durante el período limitado de la garantía.

## PIEZAS DE REPUESTO NO AUTORIZADAS

Usar solamente piezas de repuesto Ariens. El reemplazo de cualquiera de las piezas de este vehículo con una pieza diferente de las piezas de repuesto autorizadas de Ariens puede afectar adversamente el rendimiento, durabilidad o seguridad de esta unidad y puede anular la garantía. Scotts y Ariens renuncian a la responsabilidad por reclamaciones o daños, ya sea con respecto a la propiedad, lesiones personales o a las fatalidades resultantes del uso de piezas de repuesto no autorizadas.

## ENTREGA

**Nota al cliente:** Si ha comprado este producto sin el montaje o las instrucciones completas por parte del vendedor, es su responsabilidad:

- Leer y comprender todas instrucciones de montaje en este manual. Si no comprende o le resulta difícil seguir las instrucciones, contactar con el concesionario Ariens más cercano para que pueda ayudarle. Para localizar el concesionario Ariens más cercano, llamar al 1-877-466-0812.



**WARNING:** El montaje o ajustes incorrectos pueden causar lesiones graves.

- Comprobar el funcionamiento de todos los controles antes de arrancar el motor.

Antes de poner en funcionamiento la unidad:

1. Asegurarse de que todo el montaje está completamente acabado.
2. Comprender todas las precauciones de seguridad indicadas en los manuales.
3. Repasar las funciones de control y poner en funcionamiento la unidad.
4. Repasar las recomendaciones de lubricación, mantenimiento y ajustes.
5. Repasar la póliza de la garantía limitada.
6. Llenar la tarjeta del registro del comprador original y regresar la tarjeta a Ariens Company.

## RENUNCIA

Este producto ha sido fabricado por Ariens. Scotts y Ariens se reservan el derecho a discontinuar, realizar cambios y añadir mejoras a sus productos en cualquier momento sin aviso ni obligación al público. Las descripciones y especificaciones que contiene este manual se aplicaban en el momento de la impresión del mismo. El equipo descrito

en este manual puede ser opcional. Algunas ilustraciones pueden no ser aplicables a su unidad.

## SEGURIDAD

### ALERTAS DE SEGURIDAD



Buscar estos símbolos para informarse sobre las precauciones de seguridad importantes. Significan:



**¡Atención!**

**¡Conciernen la seguridad personal!**

**¡ESTAR ALERTA!**

### ¡OBEDECER EL MENSAJE!

El símbolo de alerta de seguridad se usa en las calcomanías de la unidad y con los procedimientos de funcionamiento correctos en este manual. Entender el mensaje de seguridad. Contiene información importante sobre la seguridad personal en o cerca de la unidad.



**PELIGRO:** ¡SITUACIÓN POTENCIALMENTE PELIGROSA! Si no se evita, CAUSARÁ lesiones graves o la muerte.



**ADVERTENCIA:** ¡SITUACIÓN POTENCIALMENTE PELIGROSA! Si no se evita, CAUSARÁ lesiones graves o la muerte.



**PRECAUCIÓN:** ¡SITUACIÓN POTENCIALMENTE PELIGROSA! Si no se evita, PUEDE CAUSAR lesiones menores o moderadas. También puede emplearse para alertar sobre prácticas peligrosas.

### ANOTACIONES

**NOTA:** Información de referencia en general para el funcionamiento y prácticas de mantenimiento correctos.

**IMPORTANTE:** Procedimientos o información específicos requeridos para evitar daños a la unidad o al accesorio.

### PRÁCTICAS Y LEYES

Practicar las precauciones de seguridad de trabajo normales y de costumbre, para el beneficio del operador y de los demás. Entender y seguir todos los mensajes de seguridad. Estar alerta ante condiciones inseguras y la posibilidad de lesiones leves, moderadas o graves e incluso la muerte. Conocer las reglas y leyes aplicables en la zona.

### FORMACIÓN NECESARIA DEL OPERADOR

El comprador original de esta unidad ha sido instruido por el vendedor sobre el funcionamiento seguro y correcto de la unidad. Si la unidad va a ser utilizada por otra persona que no sea el comprador original; o si va a ser prestada, alquilada o vendida, proporcionar SIEMPRE este manual y la formación de seguridad necesaria antes de su funcionamiento.

# CALCOMANÍAS DE SEGURIDAD Y EMPLAZAMIENTOS

Cambiar SIEMPRE las calcomanías de seguridad dañadas o reponer las que falten. Consultar la figura 3 para información sobre los emplazamientos de las calcomanías de seguridad.

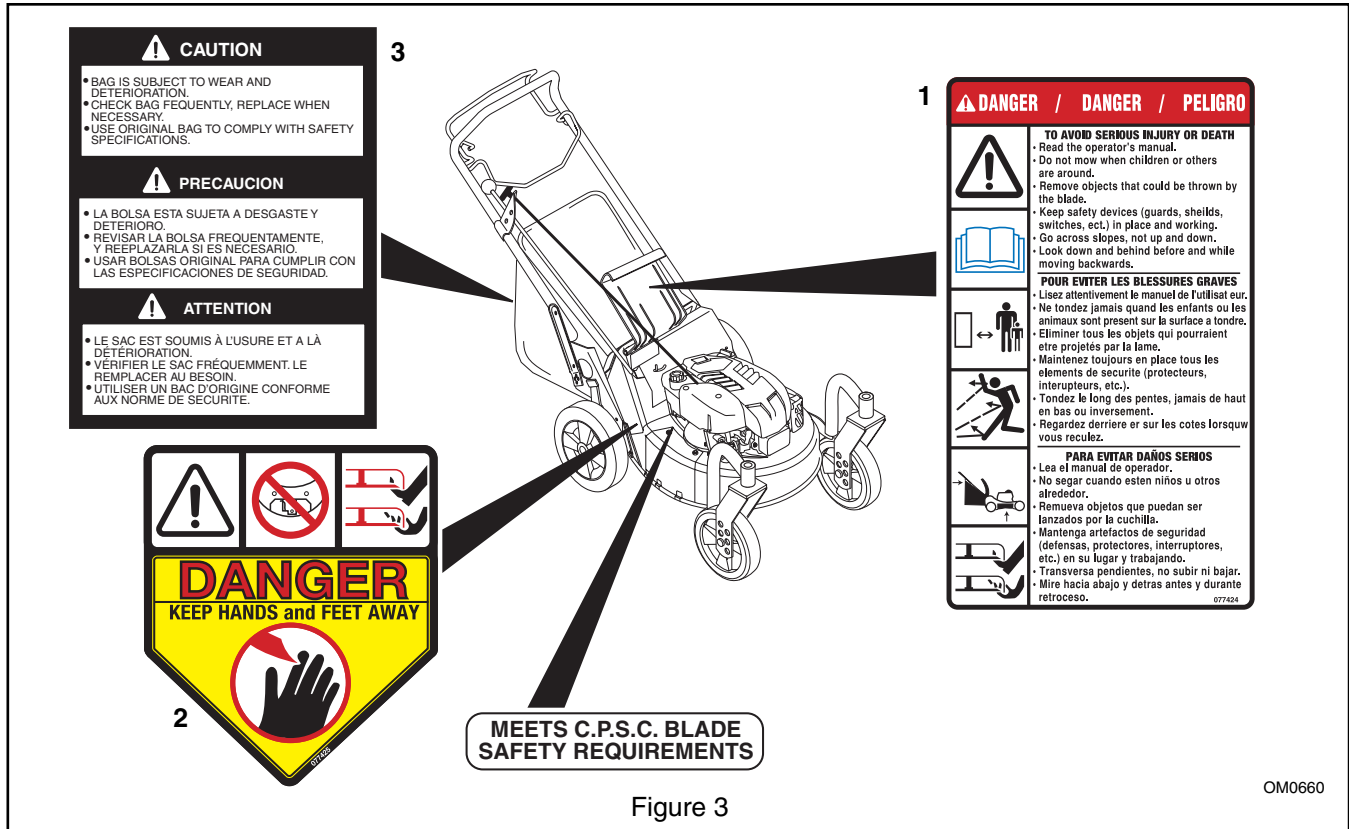


Figure 3

OM0660

## 1. PELIGRO

### PARA EVITAR LESIONES SERIAS O LA MUERTE



OL1801

Antes de poner en funcionamiento la unidad, leer y comprender totalmente todos los manuales suministrados.



OL4370

Mantener a las personas y animales alejados de la unidad al ponerla en funcionamiento. Mantener a los niños fuera del área de trabajo y bajo supervisión atenta por un adulto responsable.



OL0910

Mantenerse siempre alejado del área de descarga. NO dirigir la descarga hacia otras personas. Quitar objetos que puedan ser lanzados por la cuchilla. NO poner en funcionamiento el cortacésped sobre grava o superficies duras.



OL4540

NO poner en funcionamiento el cortacésped si los protectores no están colocados en posición de funcionamiento.



OL3030

¡CUCHILLA GIRATORIA!. Mantener las manos y pies fuera del alcance.

- Conducir sobre pendientes de lado a lado y no hacia arriba y abajo.
- Mirar hacia abajo y detrás antes y durante el retroceso.

## 2. PELIGRO

### MANTENER LAS MANOS Y LOS PIES ALEJADOS



OL4530

- No poner en funcionamiento el cortacésped si los protectores no están colocados en posición de funcionamiento.

## 3. ¡PRECAUCIÓN!

- La bolsa está sujeta a desgaste y deterioro.
- Comprobar la bolsa con asiduidad, cambiarla cuando sea necesario.
- Usar la bolsa original para cumplir con las especificaciones de seguridad.

## REGLAS DE SEGURIDAD

### Funcionamiento

Inspeccionar la unidad y la zona de trabajo antes de poner en funcionamiento la unidad.

Limpiar la zona de trabajo de objetos que puedan salir lanzados. Retirar todas las piedras, ramas, cables y otros objetos extraños. El césped alto puede ocultar obstáculos.

Solamente pueden poner en funcionamiento la unidad adultos con la formación adecuada. La formación incluye el funcionamiento real.

Mantener el equipo en buen estado.

Mantener SIEMPRE la cubierta de descarga en su sitio.

NUNCA poner en funcionamiento el motor con la puerta trasera abierta a menos que la bolsa de recolección del césped esté en su sitio.

Al cubrir el suelo con pajote, la cubierta de la abertura de la descarga lateral debe estar instalada y la puerta trasera completamente cerrada cuando el motor está en funcionamiento.

NO tirar hacia atrás del cortacésped a menos que sea absolutamente necesario. Mirar hacia abajo y detrás antes y durante el retroceso.

NO arrancar el motor ni poner en funcionamiento el cortacésped a menos que la cubierta de la abertura de la descarga lateral o el deflector de la descarga lateral estén instalados.

Mantener el área de funcionamiento libre de personas, niños y mascotas.

Despejar SIEMPRE la zona antes de poner en funcionamiento la unidad para evitar objetos lanzados.

Parar el cortacésped si alguien entra en el área.

Mantener los dispositivos o protectores de seguridad en su sitio y funcionando correctamente. No modificar ni extraer NUNCA los dispositivos de seguridad.

Mantener SIEMPRE las manos fuera del alcance de las piezas giratorias durante el funcionamiento de la unidad.

No colocar las manos ni los pies cerca o debajo de las piezas giratorias. Mantenerse alejado en todo momento de la abertura de descarga y del colector del cortacésped.

NUNCA abrir la puerta trasera sin la bolsa de recolección del césped en su sitio cuando el motor esté en marcha.

Mantener SIEMPRE los pies y las manos alejados de las piezas giratorias durante el funcionamiento. Las piezas giratorias pueden cortar partes del cuerpo.

NO cortar a una velocidad demasiado rápida. NO cambiar el ajuste del regulador del motor ni poner en funcionamiento el motor a una velocidad excesiva.

Poner SIEMPRE en funcionamiento la unidad cuando haya buena visibilidad e iluminación.

Tener un cuidado especial al aproximarse a recodos sin visibilidad, arbustos, árboles u otros objetos que puedan impedir la visión.

Asegurarse SIEMPRE de llevar un buen calzado.

No poner en funcionamiento el cortacésped sobre césped mojado. Asegurarse siempre de llevar un buen calzado.

Sujetar firmemente el manillar. Andar, nunca correr.

Si el equipo vibra de forma irregular, apagar el motor, esperar a que las piezas móviles se paren y extraer el cable de la bujía. Antes de iniciar de nuevo la unidad, reparar los daños.

Evitar las zonas de trabajo desiguales y los terrenos accidentados.

Estar familiarizado con el área de funcionamiento.

Permanecer alerta ante agujeros, rocas, raíces y peligros ocultos en el área de funcionamiento. Evitar los terrenos desnivelados, depresiones o terraplenes. El operador puede perder la base de apoyo o el equilibrio.

NO trabajar en pendientes pronunciadas.

No dejar NUNCA la unidad desatendida en una pendiente. Bloquear las ruedas si la unidad está estacionada en una pendiente.

En pendientes, cortar el césped transversalmente y no longitudinalmente. Ser especialmente precavido al cambiar de dirección en las pendientes.

Al estacionar, quitar la llave.

Tomar todas las precauciones posibles cuando se deje la unidad desatendida.

Para evitar un arranque accidental o un uso no autorizado, apagar SIEMPRE el motor, quitar la llave y extraer el cable de la bujía.

### Personal

Mantener a los niños fuera de la zona de trabajo y bajo el cuidado atento de un adulto.

NUNCA permitir que los niños pongan en funcionamiento el cortacésped.

Parar el cortacésped si entran niños en el área.

NUNCA dirigir la descarga hacia las personas presentes en el área. El operador es responsable de la seguridad de las personas presentes en el área.

Usar la ropa adecuada, guantes y calzado protectores.

Llevar calzado resistente. NO poner en funcionamiento el cortacésped descalzo, con sandalias o zapatos de tela.

Usar siempre gafas protectoras o gafas protectoras con protectores laterales al poner en funcionamiento el cortacésped.

No usar NUNCA ropa suelta, joyas o cabello largo que puedan quedar atrapados en las piezas giratorias. Proteger los ojos, la cara y la cabeza de los objetos que puedan salir lanzados de la unidad.

NUNCA poner en funcionamiento la unidad después o mientras se esté usando medicamentos, drogas o alcohol. Se requiere atención total cuando se pone en funcionamiento la unidad.

Mantenerse SIEMPRE alejado de la descarga durante el funcionamiento de la unidad.

No poner en funcionamiento el cortacésped sobre grava o material suelto como la arena. Parar el cortacésped al cruzar caminos, paseos o carreteras de grava. Los objetos lanzados pueden causar daños o lesiones.

NO tocar las piezas que estén calientes. Dejar que las piezas se enfríen.

Las piezas en movimiento pueden cortar o amputar los dedos o la mano. Envolver la(s) cuchilla(s) o ponerse guantes para realizar el mantenimiento.

Mantener SIEMPRE las manos fuera del alcance de los puntos con riesgo de aprisionamiento.

Los humos del escape del motor pueden ocasionar la muerte o lesiones graves. NO poner en marcha el motor en un área cerrada.

## Mantenimiento y ajustes

NUNCA intentar realizar ajustes en la unidad mientras el motor esté en marcha. Apagar el motor, quitar la llave y esperar a que todas las piezas móviles se paren antes de realizar el mantenimiento (salvo que se recomiende lo contrario).

NO realizar ajustes de la rueda de altura de corte mientras el motor esté en marcha.

En los modelos de autopropulsión, el control de la transmisión de la rueda puede causar el movimiento hacia adelante del cortacésped para parar. Si esta función falla, desconectar el cable de la bujía y reparar antes de usar la unidad. Al arrancar el motor, la transmisión de la rueda debe estar desactivada.

El combustible es altamente inflamable y sus vapores pueden explotar. SÓLO usar contenedores para combustible aprobados.

- ¡NO fumar!
- ¡NO provocar chispas!
- ¡NO acercarse a llamas!
- Antes de llenar el depósito de combustible, dejar que se enfríe el motor.

Antes de arrancar el motor, comprobar el suministro de combustible.

NO llenar el depósito de gasolina en un recinto cerrado, con el motor en marcha o con el motor aún caliente.

Dejar que el motor se enfríe durante unos minutos antes de extraer el tapón del combustible.

Volver a colocar el tapón del depósito de combustible de forma segura y limpiar el combustible derramado antes de arrancar el motor.

Apagar el motor, esperar a que todas las piezas móviles se paren, extraer el cable de arranque y alejarlo de la bujía antes de: desatascar, reparar, ajustar, inspeccionar o limpiar la unidad.

Para reducir el peligro de incendio y recalentamiento, mantener el equipo limpio de césped, hojas, residuos o lubricantes excesivos.

## Batería

Evitar descargas eléctricas. NO quitar el cable de la bujía mientras el motor esté en marcha. No colocar la batería en el fuego ni desarmarla.

¡Gases explosivos! Los fluidos venenosos de la batería contienen ácido sulfúrico. El contacto con la piel, los ojos o la ropa pueden causar quemaduras químicas graves.

No originar llamas o chispas, ni fumar cerca de la batería. SIEMPRE llevar gafas de seguridad y ropa protectora cerca de la batería.

SIEMPRE MANTENER LAS BATERÍAS FUERA DEL ALCANCE de los niños.

## Mantenimiento

Al realizar el mantenimiento del motor, observar las instrucciones de seguridad del fabricante del motor.

Mantener todas las tuercas, pernos y tornillos apretados y asegurarse de que la unidad esté en condiciones de trabajo seguras. Comprobar toda la tornillería en intervalos regulares, especialmente los pernos de sujeción de la cuchilla.

Usar sólo las piezas de repuesto diseñadas para la unidad específica. Consultar con el concesionario.

Los silenciadores de escape desgastados son más que una molestia ruidosa y deben cambiarse inmediatamente. El uso continuo podría causar un incendio o explosión.

Bloquear SIEMPRE las ruedas y asegurarse de que todos los soportes de elevación son resistentes y están fijos, además de que soportarán el peso de la unidad durante el mantenimiento.

Comprobar que la bolsa de recolección del césped no esté desgastada, dañada ni deteriorada. Para más seguridad, usar sólo piezas de repuesto para el equipo original .

## Almacenamiento

Dejar que se enfríe el motor antes de almacenarlo en cualquier recinto cerrado.

Consultar la sección de almacenamiento en este manual del operador para obtener instrucciones importantes si se va a almacenar la unidad durante un período largo.

Limpiar SIEMPRE la unidad antes de almacenarla un período largo de tiempo. Consultar el manual del motor para el almacenamiento correcto.

NO almacenar la unidad dentro de un edificio con combustible en el depósito de combustible si hay fuentes de ignición presentes.

## Sistema de interbloqueo de seguridad

La característica de control del motor/cuchilla en el cortacésped provoca la parada del motor y la cuchilla cuando el operador suelta el control del manillar. Si esta función falla, desconectar el cable de la bujía y ajustar o reparar antes de usar la unidad.

## Accesorios

Usar sólo accesorios aprobados por y que estén instalados correctamente.

## Supresor de chispas

Este producto está equipado con un motor de combustión interna. NO permanecer en o cerca de ningún terreno baldío, o terrenos con maleza o boscosos, a menos que el sistema de escape esté equipado con un supresor de chispas que cumpla con las leyes locales, estatales o federales. El supresor de chispas, si se usa, debe mantenerse en buenas condiciones de funcionamiento por el operador. Consultar con el concesionario o contactar con el centro de mantenimiento del fabricante del motor.

## MONTAJE

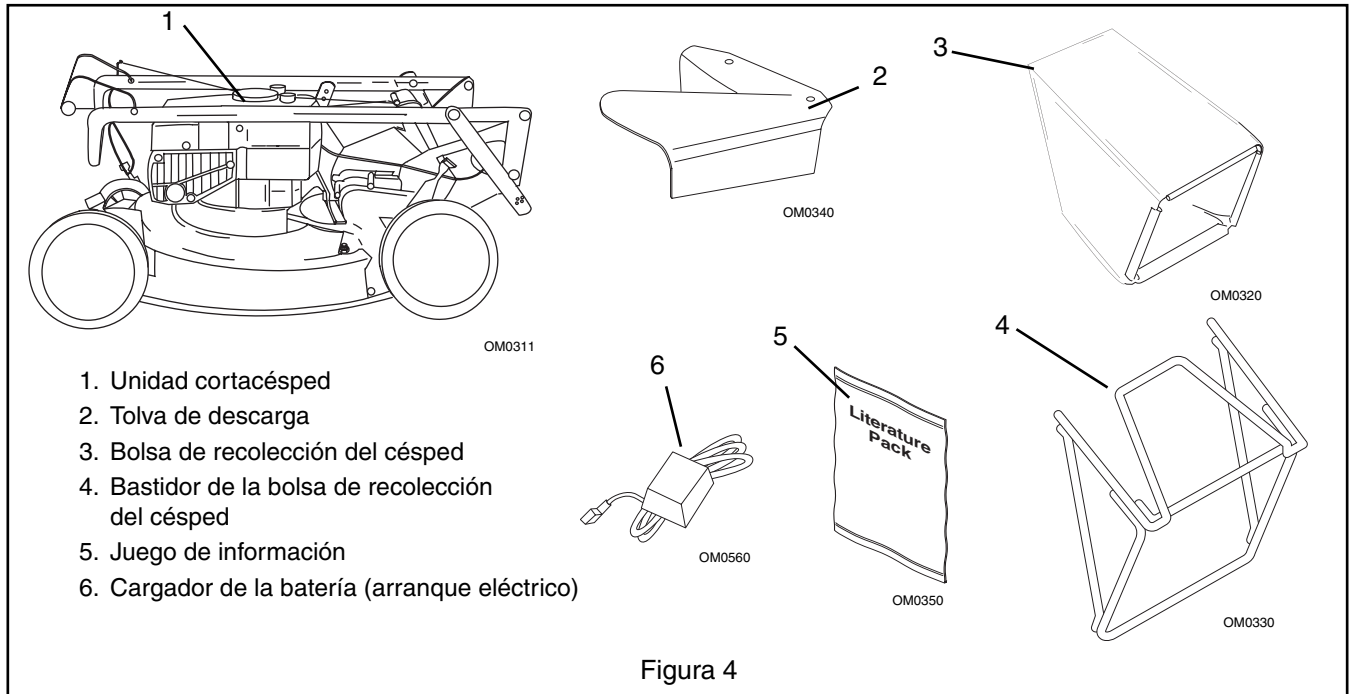
### HERRAMIENTAS REQUERIDAS

- Llave de extremo abierto de 7/16 pulg.

### PARA EXTRAER LA UNIDAD DEL CARTÓN

1. Cortar la parte superior del cartón.
2. Extraer los soportes delantero y trasero y el paquete de información.

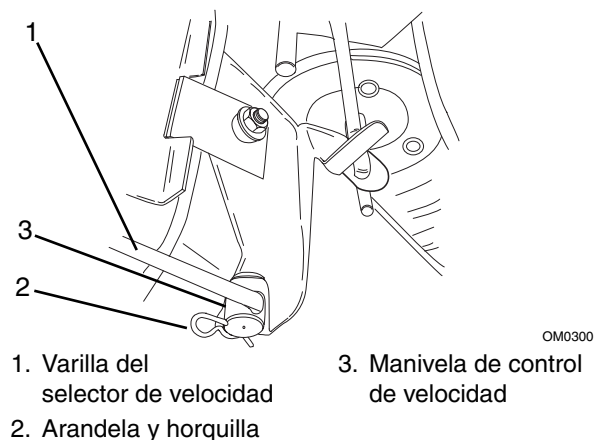
3. Cortar la parte trasera del cartón y rodar la unidad hasta sacarla del cartón.
4. Extraer la envoltura protectora.



### MONTAJE

1. Desplegar y ajustar el manillar.
2. La varilla del selector de velocidad viene empaquetada en el manillar con la tornillería en su posición. Extraer la horquilla y la arandela, insertar el extremo doblado de la varilla a través del orificio de giro de la manivela de control de velocidad, colocar la arandela en la varilla y afianzar con la horquilla.

3. Montar la bolsa de recolección del césped sobre el bastidor de la bolsa.
4. Configurar el cortacésped para el embolsado, la descarga lateral o el pajote. Consultar *Configuraciones del cortacésped* en la sección *Funcionamiento*.
5. Cargar completamente la batería. Consultar *Mantenimiento y ajustes*.
6. Comprobar la característica de control del motor/cuchilla. El motor y la cuchilla deben detenerse en 3 segundos en el momento en que el control del manillar se libera.
7. Llenado del depósito de combustible. Consultar la sección *Funcionamiento*.



# FUNCIONAMIENTO

## CONTROLES Y CARACTERÍSTICAS

Ver las figuras 1 y 6 para los controles y características.

### Control del motor/cuchilla



**ADVERTENCIA:** NO intentar arrancar el motor en este momento. Familiarizarse con los controles para ver cómo funcionan. Primero, leer con atención y comprender todo el manual del operador.



**PRECAUCIÓN:** Comprobar la función del control del motor/cuchilla regularmente. El funcionamiento inadecuado del control puede causar lesiones.

El control del motor debe sujetarse contra el manillar para poder arrancar el motor, así como durante los trabajos de corte para mantener el motor en marcha.



Al soltar el control durante el funcionamiento se detiene el motor y la cuchilla.

### Manillar

El manillar se ajusta en cuatro posiciones seleccionando los orificios de los soportes. Seleccionar una altura cómoda y segura y colocar el pasador a través del orificio del soporte más cercano a dicha altura. Consultar la sección Ajustes para obtener instrucciones.

### Manilla de arranque de retroceso

Al tirar de la manilla, ésta dará la vuelta al motor.

### Altura de corte – Modelos estándar



**PELIGRO:** Para evitar el contacto de la cuchilla, NUNCA realizar un ajuste de la altura de corte mientras el motor esté en marcha.



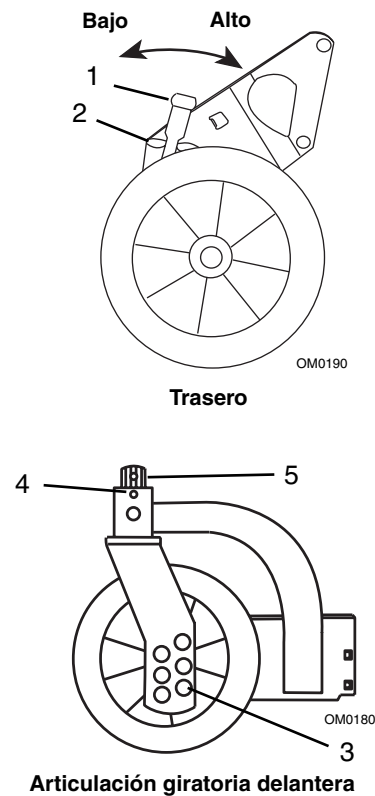
**PRECAUCIÓN:** En los modelos de autopropulsión, ambas ruedas traseras deben estar posicionadas a la misma altura o la transmisión de la tracción puede no embragarse o funcionar adecuadamente.

Para cambiar la altura de corte, mover las palancas de la altura de corte una muesca a la vez en cada rueda, hasta que se obtenga la altura de corte deseada. (Figura 6)

**NOTA:** Cada rueda del cortacésped debe ser fijada a la misma altura para obtener un corte parejo.

### Tabla de ajustes de la altura de corte

Muesca	Longitud del corte del césped
BAJA	25 mm (1 in.)
2	35 mm (1-3/8 in.)
3	45 mm (1-3/4 in.)
4	57 mm (2-1/4 in.)
5	70 mm (2-3/4 in.)
ALTA	83 mm (3-1/4 in.)



1. Palanca de la altura de corte
2. Muecas
3. Pasador y orificios del ajuste de la altura de la articulación giratoria
4. Orificio de bloqueo de la articulación giratoria (bloqueo de la articulación giratoria)
5. Orificio de almacenamiento del pasador de eje (libre)

Figura 6

## CONTROLES OPCIONALES

Ver las figuras 1 y 6.

### Altura de corte – Modelos con articulación giratoria



**PRECAUCIÓN:** Cuando se corte césped en pendientes con un modelo con ruedas giratorias, se recomienda colocar el pasador de eje a través del orificio de bloqueo de la articulación giratoria. Si las ruedas están en la posición giratoria y se sueltan las manillas de control, el cortacésped puede rodar cuesta abajo. Nunca cortar el césped en pendientes pronunciadas.

Para cambiar la altura de corte de la rueda delantera, insertar el pasador de horquilla dentro de los orificios que corresponden a la altura de corte deseada.

(Figura 6).

Para cambiar la altura de corte de la rueda trasera, mover las palancas de la altura de corte una muesca a la vez, hasta que se obtenga la altura de corte deseada.

(Figura 6).

### Perilla de cebado (motor Briggs & Stratton)

Empujar la perilla de cebado para añadir combustible y facilitar el arranque del motor.

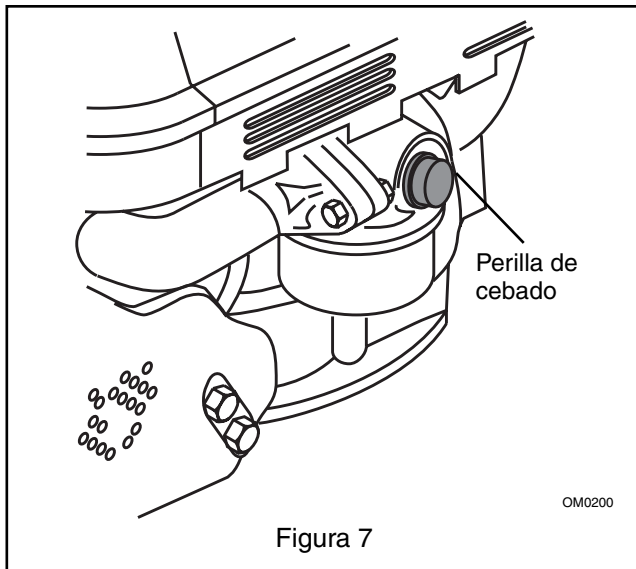


Figura 7

### Selector de velocidad

El selector de velocidad se usa para seleccionar las velocidades variables de desplazamiento de avance del cortacésped.



Alta – Empujar el selector completamente hacia adelante.

Baja – Empujar el selector completamente hacia atrás.

Con el selector de velocidad, ajustar a baja velocidad de desplazamiento y el motor en marcha, activar el control de transmisión de la rueda. Incrementar la velocidad con el selector de velocidad hasta conseguir un ritmo móvil cómodo y seguro. Una vez se ha seleccionado la velocidad, el selector de velocidad debe permanecer en dicha posición. Si no, ajustar la tensión del resorte de la manivela de control de velocidad. (Consultar *Ajustes.*)

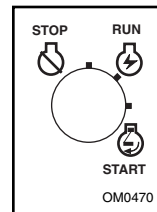
### Control de la transmisión de la rueda



**PRECAUCIÓN:** En los modelos de autopropulsión, el cortacésped se impulsará hacia adelante al sujetar el control de la transmisión de la rueda contra el manillar al intentar arrancar el cortacésped.

Con el motor en marcha, apretar y sujetar lentamente el control de transmisión de la rueda contra el manillar para impulsar el cortacésped hacia adelante. Soltar el control de transmisión de la rueda para parar el movimiento hacia adelante.

### Interruptor de encendido (modelos de arranque eléctrico)



El interruptor de encendido funciona mediante una llave extraíble. Para arrancar la unidad, el interruptor se gira en sentido horario desde la posición "OFF" (apagado) hasta la posición "START" (arranque). La llave vuelve a la posición "RUN" (funcionamiento).

**Posición "OFF" (apagado):** El sistema de ignición está apagado.

**Posición "RUN" (funcionamiento):** Todos los controles están en funcionamiento.

**Posición "START" (arranque):** Arranca el motor.

Para apagar el motor, girar la llave a la posición "OFF" (apagado).

### PREARRANQUE



**PRECAUCIÓN:** Asegurarse de que toda la tornillería esté apretada, todos los dispositivos de seguridad en su sitio y que se hayan realizado correctamente todos los ajustes.

1. Comprobar que el aceite del cárter del motor esté al nivel adecuado. Llenar o cambiar el aceite del motor si es necesario.
2. Comprobar que no haya suciedad en el filtro de aire. Limpiar según sea necesario.
3. Comprobar la tornillería y los dispositivos de seguridad.



## LLENADO DEL DEPÓSITO DE COMBUSTIBLE



**ADVERTENCIA:** Los **VAPORES EXPLOSIVOS** y el **COMBUSTIBLE INFLAMABLE** pueden ocasionar lesiones graves o la muerte. Manipular el combustible con cuidado. Usar SIEMPRE un envase para combustible aprobado.

¡No fumar! ¡No acercar materiales encendidos!

¡No acercar llamas!

Dejar que el motor se enfríe antes de realizar el mantenimiento.

La gasolina es altamente inflamable y debe manipularse con cuidado. Dejar que el motor se enfríe durante unos minutos antes de extraer el tapón del depósito de combustible. Nunca llenar el depósito si el motor está en marcha o está caliente. NO permitir que haya llamas, cerillas o humo en el área. NO llenar demasiado. Dejar π in de espacio en el depósito para la expansión del combustible. Antes de arrancar el motor, limpiar cualquier derrame y permitir que los vapores se disipen. Usar un envase de gasolina (rojo) aprobado.

Para añadir combustible en el depósito de combustible:

1. Colocar la unidad en un área abierta o con buena ventilación.
2. Apagar el motor y dejar que se enfríe.
3. Limpiar el tapón del combustible y su alrededor para evitar que el polvo, la suciedad y los residuos penetren en el depósito de combustible.
4. Extraer el tapón.

**IMPORTANTE:** NO usar una mezcla de gasolina y alcohol o gasolina que contenga alcohol ya que el alcohol puede deteriorar las piezas internas. Para mayor información sobre el tipo y grado correcto del combustible, consultar el manual del motor.

1. Llenado del depósito de combustible (Consultar *Especificaciones* para la capacidad del depósito.)
2. Volver a colocar el tapón del combustible y apretarlo.
3. SIEMPRE se debe limpiar cualquier derrame.

### Configuraciones del cortacésped



**PRECAUCIÓN:** NO poner en funcionamiento el cortacésped a menos que la cubierta de la abertura de la descarga lateral o el deflector de la descarga lateral estén instalados. Los objetos lanzados pueden causar daños o lesiones personales. Nunca poner en funcionamiento el motor con la puerta trasera abierta a menos que la bolsa de recolección del césped esté en su lugar.

Para configurar el cortacésped para el embolsado, la descarga lateral o el pajote, proceder de la siguiente manera:

**Embolsado:** Levantar la puerta trasera, colocar la barra del bastidor de la bolsa de recolección del césped en el borde de la brida de montaje y bajar la puerta trasera. Si es necesario, levantar la parte trasera del bastidor de la bolsa de recolección del césped para bloquearla en su posición.

Asegurarse de que no haya aberturas entre la bolsa y la superficie de montaje después de instalar la bolsa. Si es necesario, limpiar de residuos la superficie de montaje de la bolsa.

Para retirar la bolsa de recolección del césped, levantar la puerta trasera. A continuación, con la manilla levantar la bolsa por la brida de montaje y cerrar la puerta trasera.



**PRECAUCIÓN:** Pueden salir lanzados algunos objetos. Comprobar con frecuencia que la bolsa de recolección del césped no esté desgastada ni deteriorada. Cambiar la bolsa desgastada o dañada solamente por una bolsa de repuesto del equipo original.

**Descarga lateral:** Con la bolsa de recolección del césped extraída, extraer las dos contratueras y arandelas que aseguran la cubierta de la abertura de la descarga lateral al cortacésped. Levantar la cubierta para soltar las lengüetas de las ranuras y retirar la cubierta del cortacésped.

Colocar los orificios del deflector de la descarga lateral sobre los vástagos del cortacésped. Colocar la lengüeta en el borde trasero del deflector sobre el borde de la abertura de la descarga. Asegurar el deflector con la tornillería de la cubierta.



**ADVERTENCIA:** NUNCA dirigir la descarga del material hacia las personas presentes en el área. Cuando la unidad está en funcionamiento, no permitir que nadie se acerque al equipo.

**Pajote:** Extraer la bolsa de recolección del césped e instalar la cubierta de la abertura de la descarga lateral. Abrir la puerta trasera e insertar el tapón Mulchmaster con la superficie biselada orientada hacia la izquierda. La puerta trasera debe cerrar de forma nivelada.

**IMPORTANTE:** Para conseguir un rendimiento máximo del pajote, instalar el juego de pajote Mulchmaster. Las instrucciones de instalación se suministran con el juego de accesorios.

### PARADA DE EMERGENCIA

Para parar el cortacésped en una situación de emergencia, soltar el asa de control del motor/cuchilla y el asa de control de transmisión de la rueda del manillar. Permitir que todas las piezas móviles se paren antes de abandonar la posición del operador.

## ARRANQUE Y APAGADO

Ver las figuras 1, 4 y 5 para todos los controles y características.

**NOTA:** Arrancar el motor sobre una superficie plana y horizontal libre de residuos.

### Arranque manual

1. Para aquellos motores con cebador, empujar la perilla de cebado 2 ó 3 veces en un motor frío.
2. Para aquellos motores con estrangulador, colocar el control del acelerador en la posición de estrangulación. Una vez el motor haya arrancado, colocar el acelerador en el retén de alta velocidad.
3. Con el control del motor/cuchilla sujeto contra el manillar, asir la manilla de arranque y tirar lentamente del cable hasta que esté tenso. Esta es la carrera de compresión. Dejar que el cable se retraiga lentamente. A continuación, tirar del cable continua y rápidamente para arrancar el motor. Dejar que el cable se retraiga lentamente.

**IMPORTANTE:** NO permitir que la manilla de arranque regrese de golpe contra el motor.

4. Repetir hasta que arranque el motor. (Si el motor no arranca, consultar *Resolución de problemas.*)

### Arranque eléctrico

1. Para aquellos motores con cebador, empujar la perilla de cebado 2 ó 3 veces en un motor frío.
2. Para aquellos motores con estrangulador, colocar el control del acelerador en la posición de estrangulación. Una vez el motor haya arrancado, colocar el acelerador en el retén de alta velocidad.
3. Con el control del motor/cuchilla sujetado contra el manillar, girar la llave a la posición de "Start" (arranque) para poner en marcha el motor y soltarla en el momento en que el motor arranque.

**NOTA:** No es necesario cebar o estrangular un motor caliente.

Si el arranque no gira debido a la acumulación de césped bajo la plataforma, rotar la cuchilla con el arranque de retroceso para eliminar el bloqueo.

Se puede usar el retroceso para arrancar el motor (consultar Arranque en el manual).

### Apagado

1. En los modelos de autopropulsión, soltar el control de la transmisión de la rueda y permitir que la unidad se detenga completamente.
2. Soltar el control del motor/cuchilla y dejar que se enfríe el motor.
3. En los modelos de arranque eléctrico, girar la llave a la posición "Stop" (apagado) y quitar la llave.



**PRECAUCIÓN:** Para evitar un arranque accidental o el uso no autorizado, quitar SIEMPRE la llave cuando no esté en uso.

## Consejos para cortar el césped



**PRECAUCIÓN:** Cuando se corte césped en pendientes con un modelo con ruedas giratorias, se recomienda colocar el pasador de eje a través del orificio de bloqueo de la articulación giratoria. Si las ruedas están en la posición giratoria y se sueltan las manillas de control, el cortacésped puede rodar cuesta abajo. Nunca cortar el césped en pendientes pronunciadas.



**PRECAUCIÓN:** Si un atasco u obstrucción evita que fluya el césped, soltar el control del motor/cuchilla y desconectar el cable de la bujía antes de intentar limpiar la obstrucción.

Los consejos siguientes ayudan a cortar el césped de forma segura, obtener el máximo rendimiento del cortacésped y mejorar la apariencia del césped.

Durante el embolsado, asegurarse de soltar el control del motor/cuchilla para apagar el motor y la cuchilla antes de intentar retirar y vaciar la bolsa de recolección del césped. Vaciar la bolsa antes de que se llene demasiado y obstruya el cortacésped.

Arrancar de nuevo el motor será más fácil si se deja que el cortacésped descargue completamente todos los residuos antes de apagar el motor.

**NOTA:** Asegurarse de vaciar la bolsa de recolección del césped y de limpiar el colector del cortacésped después de cada uso. NO permitir que el césped se amontone ni que se acumulen residuos dentro de la bolsa de recolección del césped o en el colector del cortacésped.

**NOTA:** Evitar trabajar sobre un terreno yermo con parches de césped. Esto causa la acumulación de suciedad y césped bajo la superficie del colector y en la bolsa de recolección del césped.

Evitar la acumulación de residuos y permitir la circulación de aire adecuada. Retirar la bolsa de recolección del césped del cortacésped, limpiar la bolsa con una manguera y dejar que se seque.

### Consejos para el pajote

Para un mejor rendimiento del pajote, ajustar la altura del cortacésped a 3 pulgadas. Si el césped es muy alto, no cortar más de 1 pulgada de césped por corte.

Cortar el césped sólo cuando esté seco y no cuando esté húmedo del rocío, de la lluvia o del regado. El césped húmedo tiende a acumularse en el colector del cortacésped. Si el césped no se dispersa uniformemente, es probable que se deba a que se está quitando demasiado césped por corte, el césped está demasiado húmedo o la velocidad de desplazamiento es demasiado rápida.

# MANTENIMIENTO

Los concesionarios proporcionan el mantenimiento, piezas o ajustes que puedan ser necesarios para mantener la unidad funcionando al máximo rendimiento. Si el motor requiere el mantenimiento, ponerse en contacto con el concesionario o un centro de mantenimiento del fabricante de motor autorizado.

## CALENDARIO DE MANTENIMIENTO

La tabla muestra el calendario de mantenimiento recomendado y que debe realizarse de manera regular. Debido a condiciones de trabajo (cargas pesadas, temperaturas ambientales altas, condiciones de mucho polvo o de residuos en el aire) puede ser necesario realizar el mantenimiento más frecuentemente.

Consultar el manual del motor para obtener más información acerca del mantenimiento y resolución de problemas.

## CALENDARIO DE MANTENIMIENTO

Mantenimiento realizado	Diario	25	50	100
Comprobar el depurador de aire	•			
Comprobar el aceite del motor	•*	•		
Comprobar la cuchilla del cortacésped	•			
Comprobar la correa de transmisión	•			
Comprobar el control del motor/cuchilla	•			
Comprobar la bolsa de recolección del césped	•			
Comprobar el control de la transmisión		•		
Lubricación general		•		
Comprobar los afianzadores		•		
Comprobar la bujía				•
Comprobar la refrigeración del motor				•
Comprobar el silenciador				•

\* Después de las primeras 2 horas de funcionamiento



**ADVERTENCIA: LAS PIEZAS GIRATORIAS** pueden cortar partes del cuerpo. Mantener las manos y pies fuera del alcance. La ropa suelta, el cabello o las bufandas pueden quedar atrapados en las piezas giratorias y ocasionar la muerte o lesiones graves.



**ADVERTENCIA:** Apagar el motor, esperar a que las piezas móviles se paren y extraer el cable de la bujía (mantener el cable alejado de la bujía para evitar un arranque accidental) antes de realizar procedimientos de lubricación y mantenimiento.



**PRECAUCIÓN:** NO tocar las piezas del motor que estén calientes después del funcionamiento. Dejar que se enfríen las piezas antes de realizar el mantenimiento.

## COMPROBAR EL DEPURADOR DE AIRE (motor Briggs & Stratton)

Consultar el manual del motor para obtener información específica.

## COMPROBAR EL ACEITE DEL MOTOR

**IMPORTANTE:** Cambiar el aceite del cárter del motor después de las primeras dos (2) horas de funcionamiento. A partir de entonces, cambiar el aceite cada veinticinco horas de funcionamiento (más a menudo en condiciones donde haya demasiado polvo y suciedad). Consultar el manual del motor.

## COMPROBACIÓN DE LA CUCHILLA DEL CORTACÉSPED

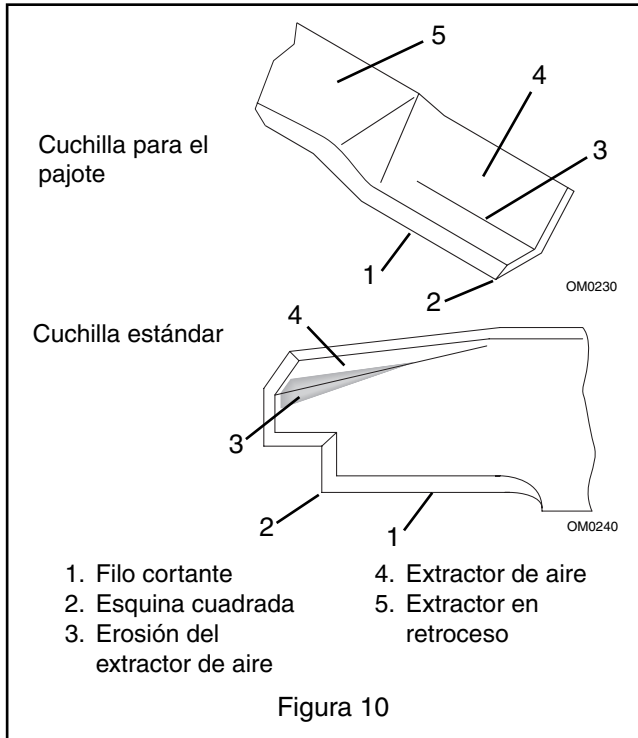
Ver las figuras 10 y 11.

Comprobar regularmente las cuchillas del cortacésped por si hubiera desgaste, y para comprobar que la arandela de cierre esté completamente comprimida por el tornillo de sombrerete (requiere de 34–41 Nm [25–30 lb. ft] de par de apriete en el tornillo de sombrerete).

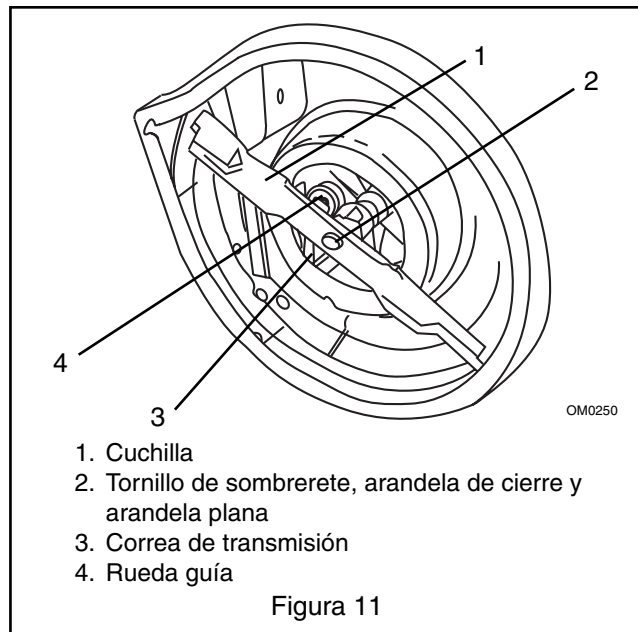
Cuando sea necesario afilar las cuchillas:

1. Bloquear la cuchilla para impedir la rotación.
2. Extraer el tornillo de sombrerete, la arandela de cierre y la cuchilla del eje.
3. Afilar ambos extremos de la cuchilla por el ángulo original (25°), eliminando cantidades iguales de material de cada lado para mantener el equilibrio adecuado de la cuchilla. Las cuchillas nuevas se equilibran en fábrica a 1,3 pulg. oz. NO esmerilar alrededor del ángulo de la punta de la cuchilla. Si el filo cortante de la cuchilla no se puede afilar en una línea recta a 3 mm (1/8 in.) de su extremo, cambiar la cuchilla solamente por la cuchilla de repuesto de .
4. Instalar la cuchilla y la arandela de cierre y apretar el tornillo de sombrerete hasta que la arandela de cierre esté completamente comprimida (requiere de 34–41 Nm [25–30 lb. ft] de par de apriete en las tuercas).

**IMPORTANTE:** Si el cortacésped se usa en terrenos arenosos, cambiar las cuchillas cuando los extractores de aire queden erosionados.



### COMPROBACIÓN DE LA CORREA DE TRANSMISIÓN



Comprobar que la correa de transmisión no esté desgastada ni dañada. Cambiar la correa si está desgastada o dañada. Consultar *Mantenimiento y ajustes*.

### COMPROBACIÓN DEL CONTROL DEL MOTOR/CUCHILLA

El control del motor/cuchilla debe apagar el motor y a cuchilla en 3 segundos después de soltar el asa. Si el motor o la cuchilla siguen funcionando, ajustar o reparar el control inmediatamente. Consultar *Ajustes*.

### COMPROBACIÓN DE LA BOLSA DE RECOLECCIÓN DEL CÉSPED

Comprobar que la bolsa de recolección del césped no esté desgastada ni dañada. Mantener la bolsa limpia y seca. Cambiar solamente por la bolsa de repuesto para el equipo original .

### COMPROBACIÓN DEL CONTROL DE TRANSMISIÓN

Comprobar el funcionamiento del control de transmisión. La transmisión debe desactivarse completamente al soltar el manillar. Ajustar el desplazamiento del asa si es necesario. Consultar *Ajustes*.

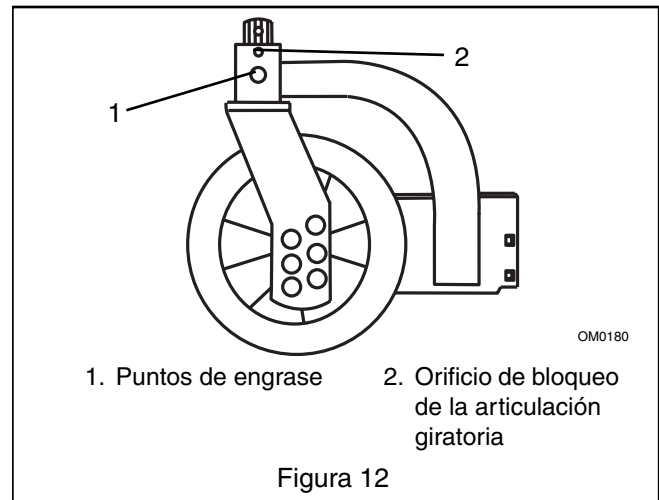
### LUBRICACIÓN GENERAL

El cortacésped no requiere ninguna lubricación. Los conjuntos de las ruedas están diseñados para una larga duración sin lubricación adicional.

### Lubricación de la articulación giratoria (unidades con articulación giratoria)

Ver figura 12.

**NOTA:** Durante la lubricación, el pasador de eje debe estar en el orificio de bloqueo de la articulación giratoria.



## COMPROBACIÓN DE LOS AFIANZADORES

Comprobar que todos los afianzadores estén bien apretados. Prestar especial atención a la tornillería de la cuchilla y todos los protectores y guardas y dispositivos de seguridad.

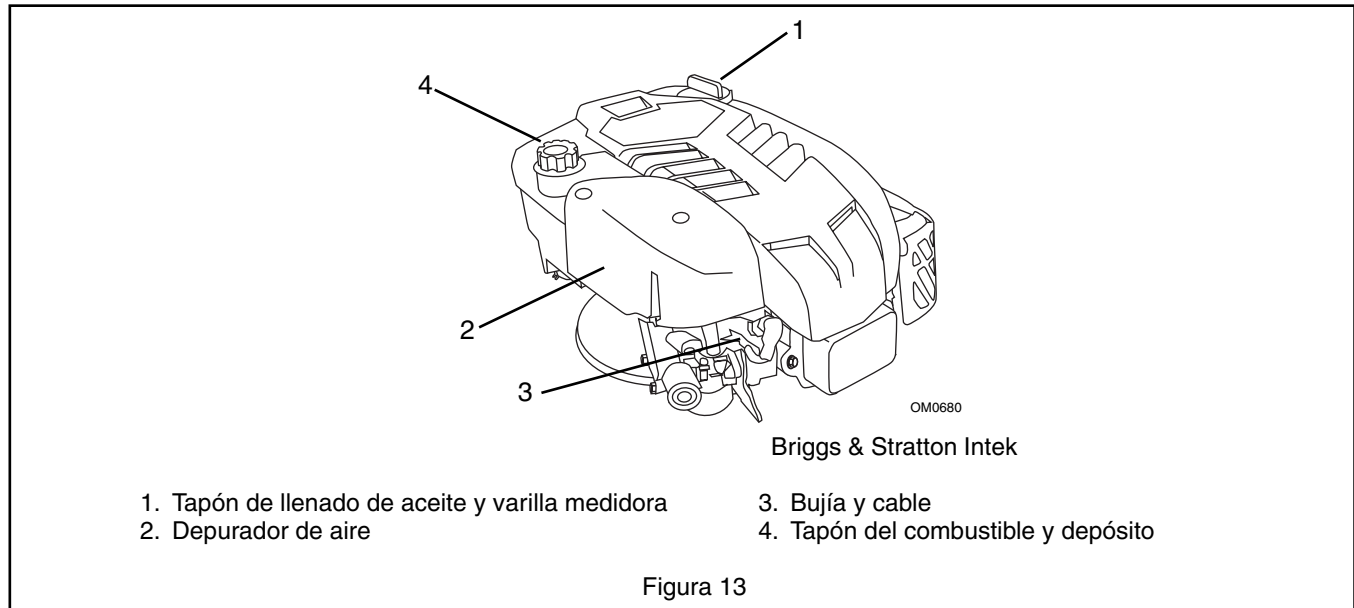
## COMPROBACIÓN DE LA BUJÍA

La bujía se debe limpiar o cambiar (si es necesario) y ajustar el huelgo a 0,7 mm (0.030 in.) cada 100 horas de funcionamiento o anualmente, lo que ocurra antes.

Para limpiar:

1. Limpiar los residuos del área alrededor de la base de la bujía.
2. Extraer la bujía del motor.
3. Frotar y lavar la bujía con un disolvente comercial. NO limpiar a chorro.
4. Cambiar la bujía.

**NOTA:** Se pueden producir chispas si el terminal del cable no encaja firmemente en la bujía. Cambiar el terminal si está dañado.



## COMPROBACIÓN DE LA REFRIGERACIÓN DEL MOTOR

El motor se enfría mediante aire. El aire debe circular libremente alrededor del motor desde la toma de aire hasta las aletas de refrigeración en la culata y bloque del cilindro para evitar el recalentamiento.



**ADVERTENCIA:** LAS SUPERFICIES CALIENTES pueden causar lesiones graves o la muerte. NO TOCAR las piezas que estén calientes después del funcionamiento. Permitir SIEMPRE que las piezas se enfríen.

Cada 100 horas de funcionamiento o una vez al año (más a menudo si las condiciones así lo requieren) extraer los protectores de refrigeración y limpiar las aletas de refrigeración. Limpiar las superficies externas del motor de polvo, suciedad y depósitos de aceite que puedan contribuir a una refrigeración inadecuada.

**IMPORTANTE:** NO poner en funcionamiento el motor con el alojamiento del ventilador extraído, o se recalentará el motor causando daños.

## COMPROBACIÓN DEL SILENCIADOR

Comprobar que el silenciador no esté agrietado, desgastado o dañado. Los silenciadores desgastados se deben cambiar inmediatamente. El uso continuo podría causar un incendio o explosión.

## POSICIÓN DE MANTENIMIENTO



**ADVERTENCIA:** EL ARRANQUE DEL MOTOR DE MANERA ACCIDENTAL puede resultar en lesiones graves o la muerte. Apagar SIEMPRE el motor, quitar la llave, esperar a que todas las piezas móviles se paren y extraer el cable de la bujía antes de realizar el mantenimiento o ajustes.

Colocar la unidad en una superficie plana y horizontal. Apagar SIEMPRE el motor. Asegurarse de que la unidad esté asegurada y que no volcará. Sujetarla al banco con una correa si es necesario.



**PRECAUCIÓN:** Antes de inclinar la unidad, extraer suficiente combustible para que no haya derrames. Se puede usar un trozo de bolsa de plástico para sellar la abertura del depósito de combustible al inclinar el cortacésped. Para sellar, extraer el tapón del depósito de combustible, cubrir con plástico la abertura del depósito de combustible, colocar de nuevo y apretar el tapón firmemente antes de inclinar el cortacésped. Asegurarse de extraer el plástico antes de poner en funcionamiento el cortacésped.

Se suministra una posición de mantenimiento para el manillar, para poder inclinar la unidad y limpiarla y realizar el mantenimiento (Figura 14). Consultar *Ajustes*.

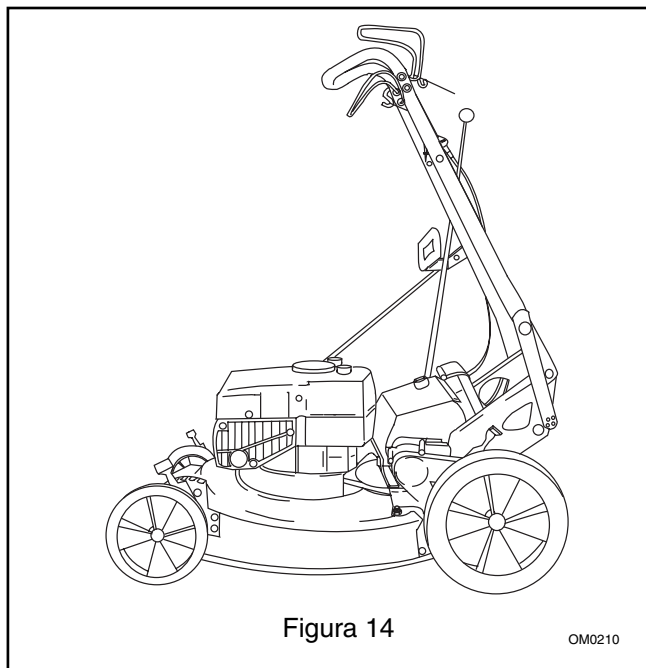


Figura 14

**IMPORTANTE:** Al inclinar el motor o la unidad para realizar el mantenimiento, usar las siguientes posiciones de mantenimiento para la marca y tipo de motor del cortacésped:

**Motores Robin:** colocar el manillar en la posición de mantenimiento e inclinar la máquina hacia atrás.

**Motores Briggs & Stratton Intek:** colocar el manillar en la posición de mantenimiento del manillar e inclinar la máquina hacia la izquierda, opuesta a la abertura de descarga.

**IMPORTANTE:** Si el motor se ahoga debido a la inclinación, limpiar el depurador de aire (consultar *Mantenimiento*) y extraer la bujía, colocar una cucharadita de aceite en el cilindro, girar el motor unas cuantas veces e instalar de nuevo la bujía.

## MANILLAR

Para ajustar la altura del manillar (Figura 15):

1. Colocar un orificio (1-4) en la parte inferior de los soportes sobre los pasadores.
2. Para la posición de mantenimiento, extraer los soportes de los pasadores, rotar el manillar hacia adelante y colocar los pasadores dentro de los orificios de los soportes.

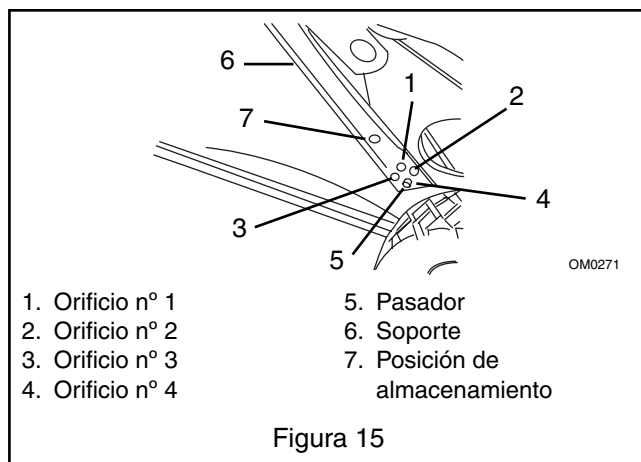


Figura 15

## CONTROL DEL MOTOR/CUCHILLA

El control del motor debe apagar el encendido del motor, a un punto de 19–32 mm (3/4–1-1/4 in.) del manillar mientras se suelta el control.

Para comprobar (Figura 16):

1. Arrancar el motor y soltar lentamente el control hasta que el motor cese el encendido.
2. Medir la distancia entre el manillar y el control en el punto en que el motor haya cesado el encendido.
3. Girar las tuercas del cable en el soporte del manillar en sentido horario si la medida es superior a 19 mm (1-1/4 in.) o en sentido antihorario si la medida es inferior a 32 mm (3/4 in.).
4. Girar las tuercas contra el soporte para bloquearlo en su posición.

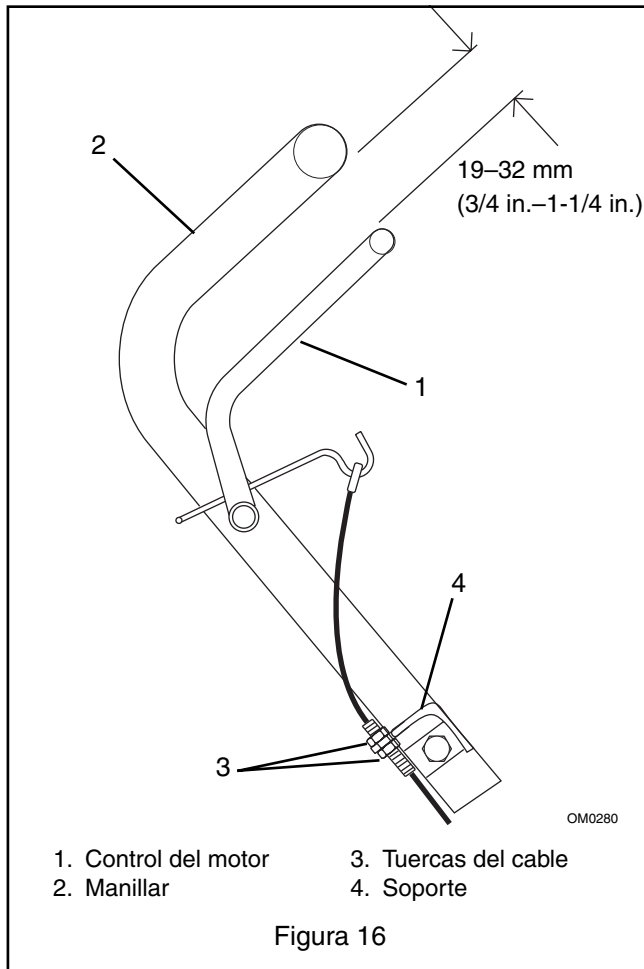


Figura 16

## CORREA DE TRANSMISIÓN (unidades de autopropulsión)

Para extraer la correa de transmisión:

1. Colocar la palanca de ajuste de la altura de la rueda trasera derecha en la primera muesca y la palanca de ajuste de la altura de la rueda izquierda en la tercera muesca. Esto proporciona un espacio libre entre la rueda de fricción y el disco de transmisión.
2. Extraer la correa del engranaje loco, el disco de transmisión y la polea del motor.
3. Tirar de la correa a través de la abertura por debajo del colector del cortacésped y por encima de la cuchilla.
4. Comprobar el engranaje loco para la rotación libre de la polea y el movimiento del pivote.
5. Instalar de nuevo la correa de transmisión pero en el orden inverso. Asegurarse de que la correa quede asentada en las ranuras de la polea con el engranaje loco posicionado en el lado trasero (plano) de la correa.

## RUEDA MOTRIZ

Ver figura 17.

Cuando el control de la transmisión de la rueda se aprieta hacia el manillar, el muelle de extensión, emplazado en la parte inferior del cable de tracción se debe empezar a extender cuando el control está entre 38 y 50 cm (1-1/2 -2 in.) de distancia del manillar. Para comprobar:

1. Apretar el control de la transmisión de la rueda hacia el manillar hasta que el muelle se empiece a abrir.
2. Medir la distancia entre el control de la transmisión de la rueda y el manillar en la indentación del manillar.
3. Para obtener el ajuste adecuado, girar las tuercas del cable. Girar en sentido horario si la medida es superior a 50 mm (2 in.), en sentido antihorario si la medida es inferior a 38 mm (1-1/2 in.). Apretar las tuercas contra el soporte para bloquearlas en posición. Si no hay suficiente longitud de cable para el ajuste, se puede ajustar el extremo opuesto del cable.

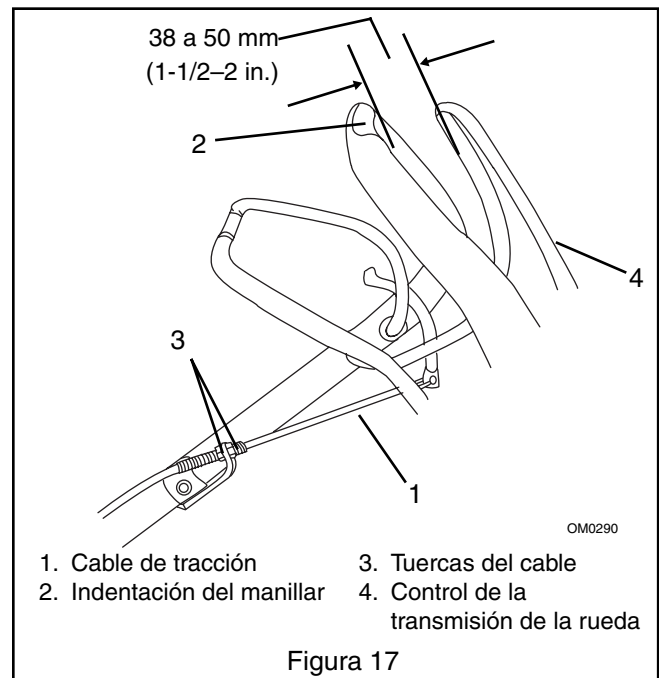


Figura 17

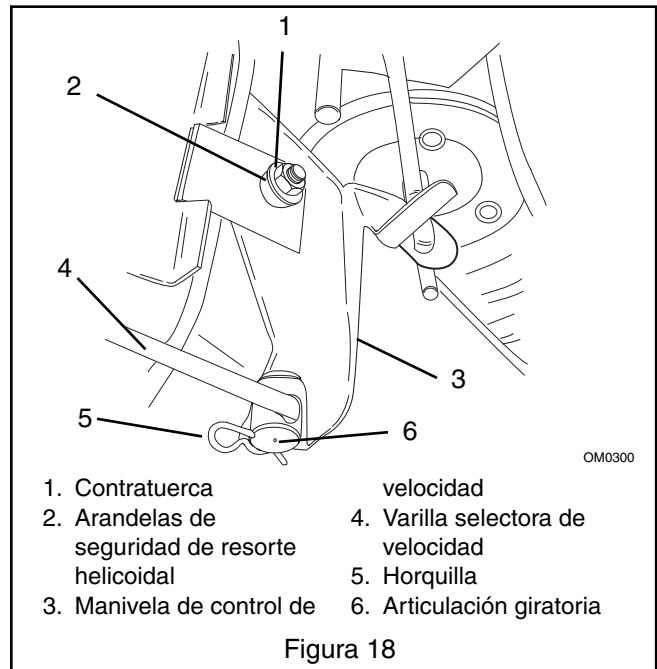
## Manivela de control de velocidad

La manivela de control de velocidad sujeta la varilla selectora de velocidad en posición después de haber ajustado una velocidad. Las arandelas de resorte pueden quedar sueltas debido al desgaste normal.

Si la varilla selectora de velocidad no está firme en posición, ajustar la manivela de control de velocidad. Ver figura 18.

Para ajustar:

1. Retirar la cubierta, comprimir totalmente las arandelas de seguridad del resorte helicoidal con la contratuerca y cerrar la contratuerca medio giro.
2. Si la varilla selectora de velocidad sigue suelta, apretar la contratuerca en pequeños incrementos hasta que quede sujeta en su posición. Si se aprieta demasiado la contratuerca, la varilla selectora de velocidad no se podrá mover.
3. Alinear la muesca en el lado izquierdo de la cubierta con un perno y afianzarla con la perilla.



## ALMACENAMIENTO



**ADVERTENCIA:** EL COMBUSTIBLE INFLAMABLE y los VAPORES EXPLOSIVOS pueden causar lesiones graves o la muerte. NO almacenar la unidad dentro de un edificio con combustible en el depósito de combustible si hay fuentes de ignición presentes. Drenar el combustible al aire libre, lejos de cualquier fuente de ignición. Dejar que se enfríe el motor antes de almacenarlo en cualquier recinto cerrado. Usar solamente envases para combustible aprobados.

**IMPORTANTE:** NUNCA pulverizar la unidad con agua ni almacenarla a la intemperie. El agua puede penetrar por los cojinetes sellados, los cuales están sellados contra la suciedad y el polvo únicamente, lo que reduciría la duración de los componentes. Almacenar el cortacésped en un lugar seco, fresco y protegido.

### Limpieza

Limpiar completamente la unidad. Con un cepillo, limpiar la suciedad y los residuos. Aplicar pintura o pulverizar lubricante a las superficies y juntas de metal expuestas. No usar abrasivos, disolventes o limpiadores fuertes.

### Inspección

Inspeccionar el cortacésped por si hubiera señales visibles de desgaste o daños. Pedir cualquier pieza necesaria y realizar las reparaciones correspondientes para evitar demoras cuando se vuelva a usar otra vez.

Mantener todas las tuercas, pernos y tornillos apretados y asegurarse de que la unidad esté en condiciones de trabajo seguras. Comprobar toda la tornillería en intervalos regulares.

### Bolsa de recolección del césped

Extraer la bolsa de recolección del césped y limpiar toda la suciedad antes del almacenamiento. La bolsa de recolección del césped se puede almacenar en su posición en el cortacésped. Mantener la bolsa de recolección del césped seca durante el almacenamiento.

### Batería

Cargar completamente la batería y almacenarla en un sitio seco y fresco. Si las temperaturas exteriores van a ser inferiores a 0°C (32°F) durante un periodo de tiempo prolongado, extraer la batería de la unidad y almacenarla en un lugar fresco, seco y seguro. No permitir que la batería se congele. Consultar *Mantenimiento y ajustes*.

### Motor

Al almacenar la unidad durante periodos de tiempo prolongados, extraer todo el combustible del depósito y el carburador (en seco). Consultar el manual del motor.



## RESOLUCIÓN DE PROBLEMAS

PROBLEMA	CAUSA PROBABLE	CORRECCIÓN
<b>El motor no arranca</b>	<ol style="list-style-type: none"> <li>1. Depósito de combustible vacío o bajo.</li> <li>2. Cable de la bujía flojo o desconectado.</li> <li>3. Cable de control del motor/freno suelto, roto o no ajustado adecuadamente.</li> <li>4. Batería descargada.</li> </ol>	<ol style="list-style-type: none"> <li>1. Comprobar el nivel del combustible. Llenar el depósito si es necesario.</li> <li>2. Comprobar las conexiones.</li> <li>3. Comprobar el cable de control del motor/freno. Ajustar, reparar o cambiar si es necesario.</li> <li>4. Cargar la batería o cambiarla si es necesario.</li> </ol>
<b>La transmisión del motor de autopropulsión no se activa</b>	<ol style="list-style-type: none"> <li>1. El asa de transmisión de la tracción no se activa.</li> <li>2. Correa de transmisión fuera de posición.</li> <li>3. Correa de transmisión desgastada o dañada.</li> <li>4. Ruedas traseras en diferentes posiciones de altura de corte.</li> <li>5. La activación de la rueda de fricción no está ajustada adecuadamente o está dañada.</li> <li>6. El engranaje loco y su resorte están instalados incorrectamente.</li> <li>7. Cable de la transmisión de la tracción suelto o roto.</li> <li>8. Cojinetes dañados.</li> <li>9. Residuos en la caja de engranajes.</li> </ol>	<ol style="list-style-type: none"> <li>1. Activar el asa de transmisión de la tracción.</li> <li>2. Comprobar la correa de transmisión. Ajustar si es necesario.</li> <li>3. Cambiar la correa.</li> <li>4. Ajustar la posición de corte de la rueda trasera de modo que la altura de corte sea la misma en ambos lados.</li> <li>5. Ajustar o cambiar la rueda de fricción.</li> <li>6. Comprobar el engranaje loco y el resorte. Ajustar si es necesario.</li> <li>7. Comprobar el cable de transmisión. Ajustar, reparar o cambiar si es necesario.</li> <li>8. Cambiar los cojinetes. Ponerse en contacto con el concesionario.</li> <li>9. Eliminar los residuos. Ponerse en contacto con el concesionario.</li> </ol>

### ESPECIFICACIONES

<b>Número de modelo</b>	907254
<b>Descripción</b>	LM21SW
Longitud – cm (in.)	156 (61.5)
Altura – cm (in.)	96,5 (38)
Anchura – cm (in.)	58,4 (23)
Peso real – kg (lb)	47,6 (105)
Anchura del corte – cm (in.)	53,3 (21)
Altura de corte – cm (in.)	6 posiciones: 2,5–8,3 (1.00–3.25)
Motor, 4 ciclos	Briggs & Stratton Intek OHV
Máxima potencia del motor – kw (hp)	3,26 (4.37)
Velocidad máxima de rotación del filo cortante – RPM (min <sup>-1</sup> )	3100
RPM controladas	3000 +/- 100
Cilindrada – cc (cu. in.)	190 (11.57)
Diámetro interior del cilindro	Aluminio
Tipo de aceite de motor	SAE 30

### ESPECIFICACIONES

Capacidad del cárter – litros (oz.)	0,65 (22)
Sistema de aceite	Por salpicadura
Juego de las bujías mm (in.)	0,76 (0.030)
Tipo de combustible	Sin plomo
Capacidad del depósito de combustible – Litros (qt.)	1,5 (1.6)
Perilla de cebado	Estándar
Depurador de aire	Elemento de papel
Arranque	De retroceso
Diferencial	Estándar
Velocidades variables – km/h (mph)	0–4 (0–6,4)
Plataforma del cortacésped	Indicador 14 – acero estampado
Manillar ajustable	Posición cuarta
Diámetro de la rueda delantera – cm (in.)	19,1 (7.5)
Diámetro de la rueda trasera – cm (in.)	26,7 (10.5)



**Ariens Company**  
655 West Ryan Street  
P.O. Box 157  
Brillion, WI 54110-0157  
1-877-466-0812  
Fax 920-756-2407  
www.ariens.com

## Garantía limitada de 2 años

Ariens Company garantiza al comprador original que los productos para clientes fabricados por Ariens Company estarán libres de defectos en material y mano de obra por un periodo de dos (2) años a partir de la fecha de compra, y reparará cualquier defecto del material o mano de obra, y reparará o reemplazará cualquier pieza defectuosa, sujetos a las condiciones, limitaciones y excepciones enunciadas aquí.

La garantía de dos años aplicará solamente si el producto se somete a un uso personal ordinario, razonable y usual, en usos familiares o domésticos. Si el producto se somete a cualquier uso de negocios, comercial o industrial tales como, pero sin limitarse a, paisajismo, servicios de corte de césped o extracción de nieve, mantenimiento de parques o campos de golf, o uso para la agricultura o granjas, la duración de esta garantía será entonces de noventa (90) días a partir de la fecha de compra, o un (1) año a partir de la fecha de compra si la etiqueta del producto indica que es un Producto comercial/profesional. Si cualquier producto se renta o alquila, la duración de esta garantía será entonces de noventa (90) días a partir de la fecha de compra.

**Esta garantía está sujeta a las siguientes condiciones, limitaciones y excepciones:**

**Esta garantía es válida solamente si se cumplen las siguientes condiciones:**

- La tarjeta de registro de la garantía se debe rellenar y devolver a Ariens Company.
- El comprador debe llevar a cabo el mantenimiento y ajustes menores según el manual del operador.
- El comprador debe notificar a Ariens Company o a un representante de mantenimiento autorizado de Ariens sobre la necesidad de reparación bajo garantía.

**Esta garantía está sujeta a las siguientes limitaciones:**

- El comprador debe transportar el producto a y desde el lugar de reparación cubierto por la garantía.
- El mantenimiento bajo garantía debe ser realizado por un representante de mantenimiento de Ariens. (Para encontrar un representante de mantenimiento autorizado de Ariens, contactar a Ariens Company al número o dirección suministrados con anterioridad).
- Las baterías están garantizadas solamente durante un periodo de doce (12) meses a partir de la fecha de compra, de una forma prorrateada. Durante los primeros (90) días del periodo de garantía, una batería defectuosa se reemplazará sin cargo alguno. Si el periodo de garantía aplicable es mayor de 90 días, Ariens Company pagará el costo prorrateado de la batería de repuesto, hasta doce (12) meses a partir de la fecha de compra.

**Los siguientes artículos no están cubiertos por esta garantía:**

- Los motores y accesorios del motor están cubiertos solamente por la garantía del fabricante del motor, y no están cubiertos por esta garantía.
- Si el producto viene equipado con una caja de engranajes y/o transmisión Peerless, la caja de engranajes y/o transmisión están cubiertos por la garantía de Peerless, y no están cubiertos por esta garantía.
- Las piezas que no son piezas de repuesto genuinas de Ariens no están cubiertas por esta garantía.
- Zapatas, correderas, hojas raspadoras, pernos de seguridad, cuchillas del cortacésped, aletas del cortacésped, faros, bombillas, no están cubiertos por esta garantía.
- Cualquier defecto que sea resultado del uso indebido, alteración, montaje incorrecto, negligencia, o accidente, no está cubierto por esta garantía.
- Los productos que no se adquirieron en los Estados Unidos, Puerto Rico o Canadá no están cubiertos por esta garantía.

### **LIMITACIÓN DE REMEDIOS Y DAÑOS**

La responsabilidad de Ariens Company bajo esta garantía expresa, y bajo cualquier garantía implícita que pueda existir, está limitada a la reparación de cualquier defecto en mano de obra, y a la reparación o reemplazo de cualquier pieza defectuosa. Ariens Company no será responsable de daños incidentales, especiales o consecuentes (incluyendo beneficios perdidos). Algunos estados no permiten las excepciones en daños consecuenciales o incidentales, de manera que la excepción o limitación puede no aplicarle a usted.

### **RENUNCIA DE GARANTÍA ADICIONAL**

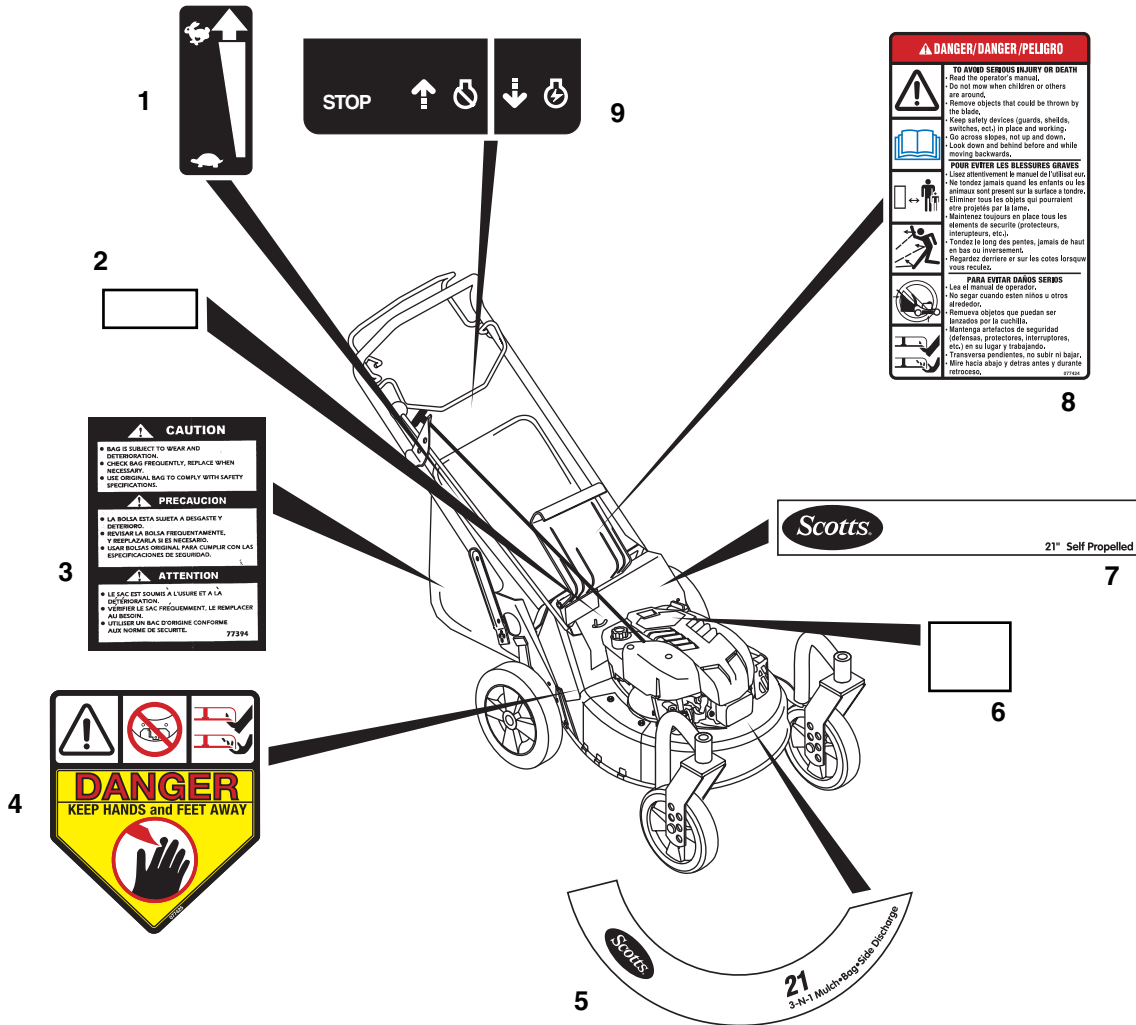
**Ariens Company no ofrece ninguna garantía, expresa o implícita, además de la que la que se ofrece explícitamente en ésta. Si la ley de su estado provee que una garantía implícita de mercadeo, o una garantía implícita de competencia para fines particulares, o cualquier otra garantía implícita aplica a Ariens Company, tal garantía implícita está limitada a la duración de esta garantía. Algunos estados no permiten limitaciones sobre la duración de las garantías implícitas, de forma que la limitación anterior puede no aplicar a usted.**

**Esta garantía le proporciona derechos legales específicos y puede tener también otros derechos que varían de estado a estado.**

Form: SLW2-111299SP

# SERVICE PARTS

Decals .....	59
Handlebar and Controls .....	60
Mower Pan and Bag .....	62
Engine, Blade and Belt .....	64
Swivel Wheels and Brackets .....	65
Wheels and Adjusters .....	66
Friction Wheel and Adjusters .....	68

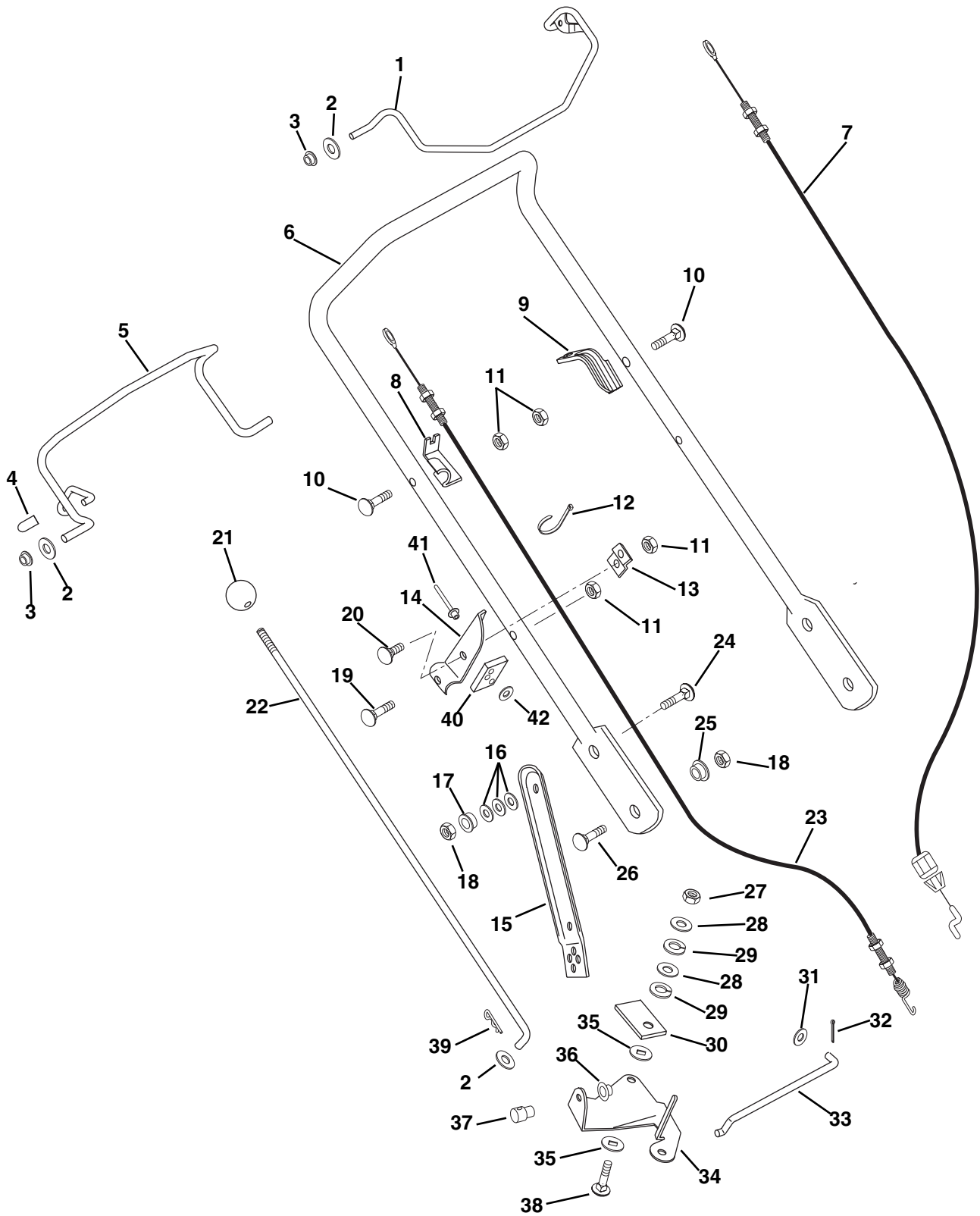


Item	Part No.	Qty.	Description
1	07760700	1	Decal-Speed Control
2	05223800	1	Decal-Swoosh-Scotts
3	07739400	1	Label-Bagger 21"
4	07742500	1	Decal-Danger
5	05223700	1	Decal-Scotts
6	05225900	1	Decal-Scotts-Briggs & Stratton
7	05225700	1	Decal-Panel-Scotts 21-Self Propelled
8	07742400	1	Decal-Bilingual Danger
9	07761700	1	Decal-Engine Control

PM0160

# HANDLEBAR AND CONTROLS

Model 907254



PM0170

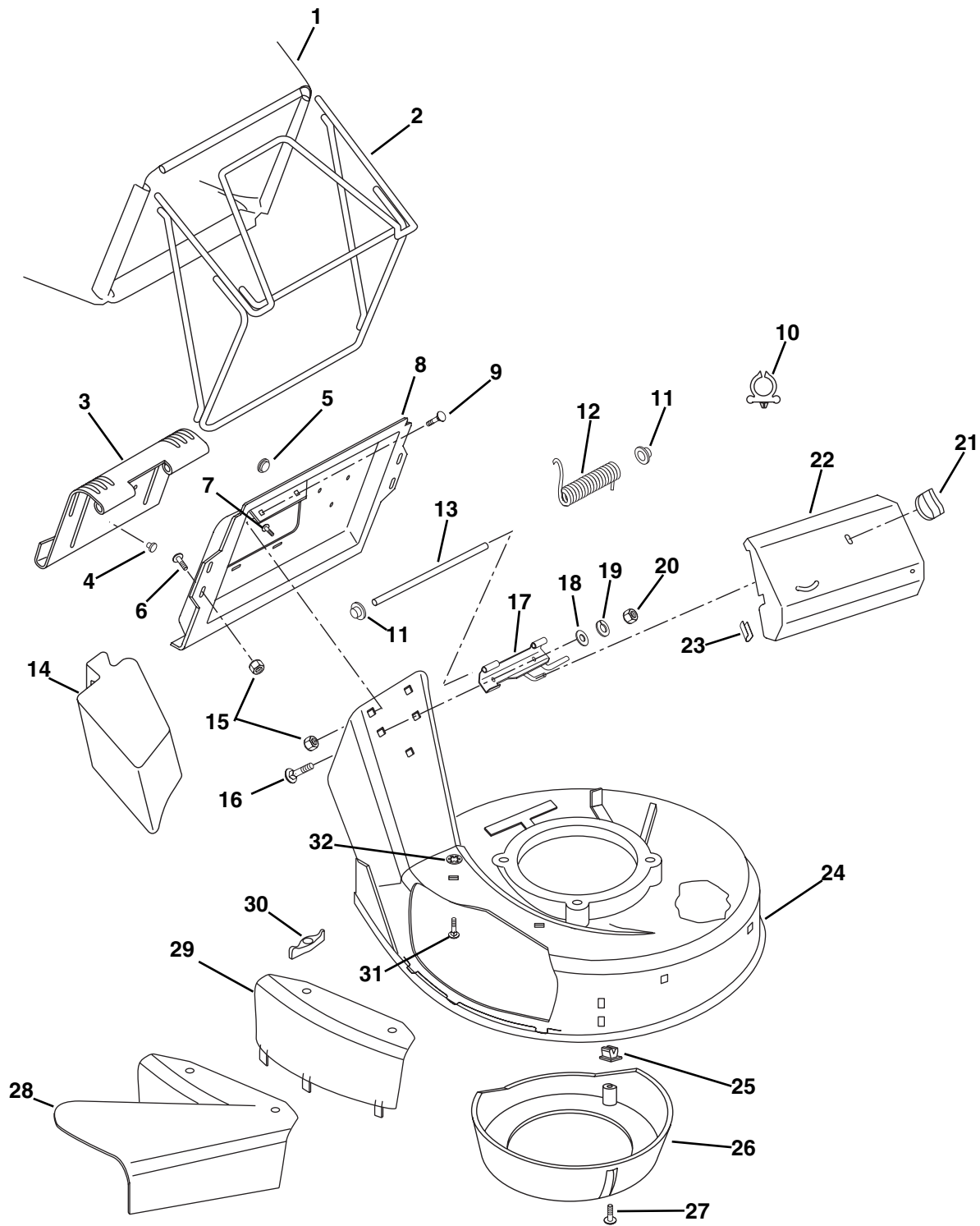
# HANDLEBAR AND CONTROLS

Model 907254

Item	Part No.	Qty.	Description
1	01177244	1	Engine Bail Weldment
2	06437200	7	Washer-Flat Steel .344 x .688 x .065
3	05514500	4	Bushing-Flange .325 x .688 x .560
4	07517000	2	Cap, Vinyl .25 I.D.
5	01177044	1	Traction Bail
6	01183144	1	Handlebar, Self Propelled
7	06922000	1	Engine Control Cable
8	01137544	1	Cable Anchor-Right Hand
9	01155700	1	Cable Anchor-Left Hand
10	06220100	2	Bolt-Round Head Square Neck .25-20 x 1.25
11	06529700	4	Nut-Locking-Center .25-20
12	07517300	3	Cable Tie
13	01141844	1	Brace-Speed Control
14	01137444	1	Bracket-Speed Control
15	01150044	1	Link-Handlebar Adjuster Left Hand
	01150144	1	Link-Handlebar Adjuster Right Hand
16	01178700	6	Washer-Bellville Spring
17	05514900	2	Bushing-Flange .325 x .500 x .513 x .875
18	06529800	4	Nut-Locking-Center .31-18
19	06222300	1	Bolt-Round Head Square Neck .25-20 x 1.38
20	06220600	1	Bolt-Round Head Square Neck .25-20 x .50
21	07515900	1	Knob
22	01140800	1	Rod-Speed Control
23	06921200	1	Traction Cable
24	06216100	2	Bolt-Round Head Square Neck .31-18 x .75 Grade 5
25	01305900	2	Shoulder Spacer
26	06215700	2	Bolt-Round Head Square Neck .31-18 x 1.00 Grade 5
27	06529600	1	Nut-Locking-Center .38-16
28	06436200	2	Washer-Flat-Steel .406 x .812 x .065
29	06306500	2	Washer-Lock .375 x .115 Heavy
30	01154800	1	Pressure Flange
31	06437300	1	Washer-Flat-Steel .281 x .620 x .065
32	06712400	1	Pin-Cotter .06 x .50
33	01126100	1	Shift Link
34	01123945	1	Bell Crank-Speed Control
35	01123800	2	Friction Washer
36	01019800	1	Cap, 3.8 Rod
37	01139800	1	Swivel
38	06222200	1	Bolt-Round Head Square Neck .38-16 x 1.50
39	06713500	1	Pin-Hair-Internal .08 x .18 x 1.18
40	01173800	1	Support Pad
41	06815700	2	Rivet .187 x .575
42	06442700	2	Washer-Flat Steel .219 x .50 x .049

# MOWER PAN AND BAG

Model 907254



PM0180

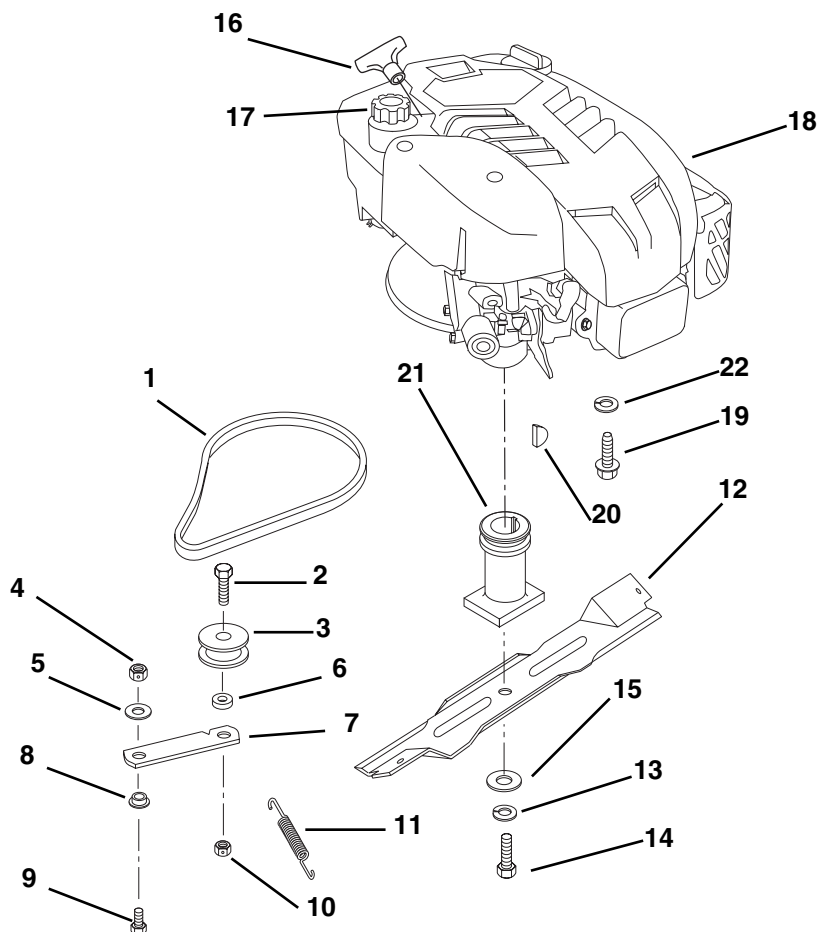
# MOWER PAN AND BAG

Model 907254

Item	Part No.	Qty.	Description
1	01180500	1	Bag-Consumer Black
2	01138751	1	Bagger Frame
3	01136545	1	Door-Catcher Plate
4	07516000	1	Button Bumper
5	07511800	2	Bumper
6	07411900	4	Screw-Tapping 12-24 x .50 Hex Washer Head
7	07414900	2	Screw-Tapping 10-24 x .375 Hex Washer Head
8	01159745	1	Plate-Catcher
9	06203900	2	Bolt-Round Head Square Neck .25-20 x .38
10	01166500	1	Snap-in Cli
11	02215300	2	Nut-Push
12	08322400	1	Spring-Torsion .120 x .68 x 3.09
13	01141000	1	Pin-Door
14	71102700	1	Mulch Master Mulcher Accessory
15	06530100	2	Nut-Locking-Flange .25-20
16	06219900	2	Bolt-Round Head Square Neck .25-20 x .75 Grade 5
17	01155545	1	Hinge Base Weldment
18	06439100	1	Washer-Flat-Steel .312 x .734 x .065
19	06308000	2	Washer-Locking .25 x .077
20	06533200	2	Nut-Hex .25-20
21	01159300	1	Nut-Wing
22	01158845	1	Drive Cover
23	01155400	2	Trim Bumper
24	50700500	1	Mower Pan Head w/ Decals
25	07507600	3	Grommet-Plastic
26	01173700	1	Baffle-Center
27	07415000	3	Screw-Tapping 10-16 x .62 Hex Washer Head
28	01180200	1	Side Discharge Assembly
29	01180351	1	Side Discharge Cover
30	07531700	2	Wing Knob .312-18 UNC
31	06214100	2	Bolt-Round Head Square Neck .31-18 x .75
32	06514900	2	Nut-Push .312

# ENGINE, BLADE AND BELT

Model 907254



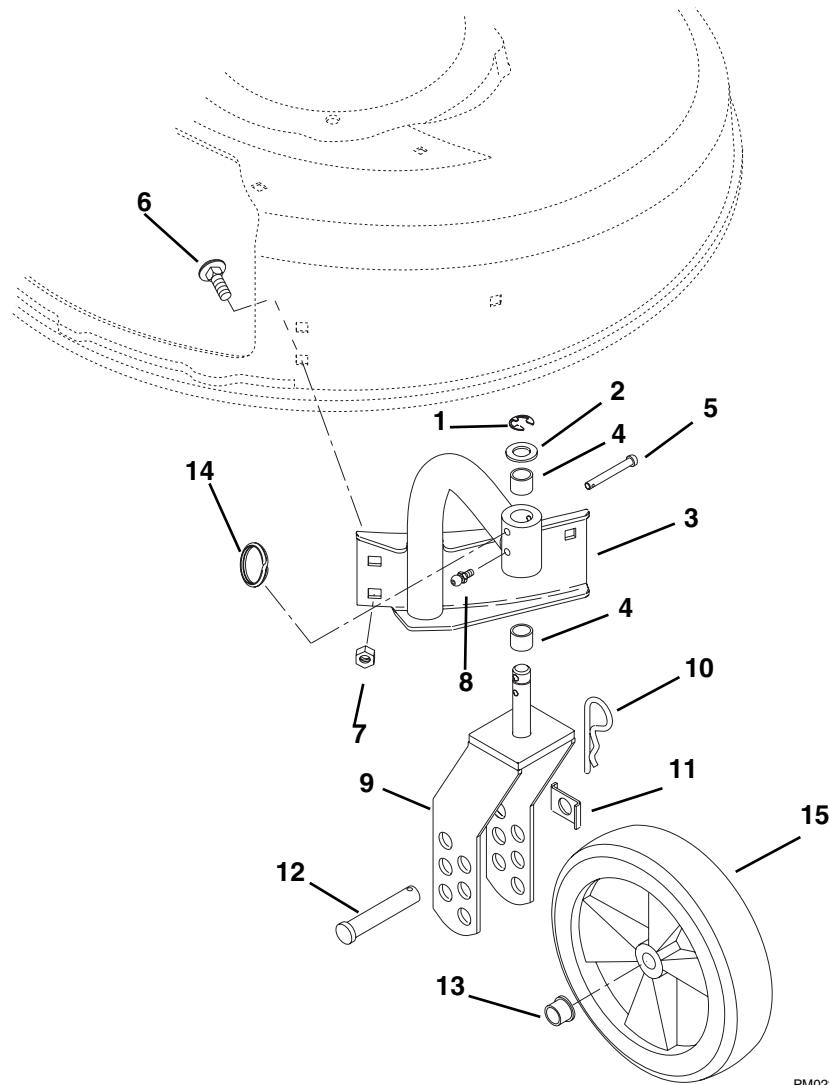
PM0210

Item	Part No.	Qty.	Description
1	07217100	1	V-Belt 3L Section
2	05963800	1	Bolt-Hex .44-14 x 1.25 Grade 5
3	07313300	1	Idler-Flat 1.75 x .47
4	06529800	4	Nut-Locking-Center .31 -18
5	06436700	1	Washer-Flat-Steel .323 x .625 x .062
6	01142000	1	Spacer .52 x .45 x .34
7	01141200	1	Idler Arm
8	05515400	1	Bushing-Flange .325 x .501 x .250 x 1.120
9	05947000	1	Bolt-Hex .31-18 x .75 Grade 5
10	06536400	1	Nut-Locking-Center .44-14
11	08321100	1	Spring, Tension .043 x .44 x 3.31
12	01137051	1	Blade, 21" Mower
13	06308800	1	Washer-Locking .38 x .094
14	05958600	1	Bolt-Hex .38-24 x 2.00
15	06441700	1	Washer-Flat Steel .390 x 1.50 x .125
16	01157100	1	Recoil Start Handle
17	07517600	1	Fuel Cap
18	08260200	1	Engine, Briggs & Stratton Intek OHV 6.5HP Recoil
19	07414100	3	Screw-Tapping .38-16 x 1.00 Hex Washer Head
20	06600900	1	Key-Woodruff .156 x .625 x .25
21	01178100	1	Blade Adapter .875 Dia w/Keyway
22	06307400	1	Washer-Locking .312 x .097 Heavy



# SWIVEL WHEELS AND BRACKETS

Model 907254

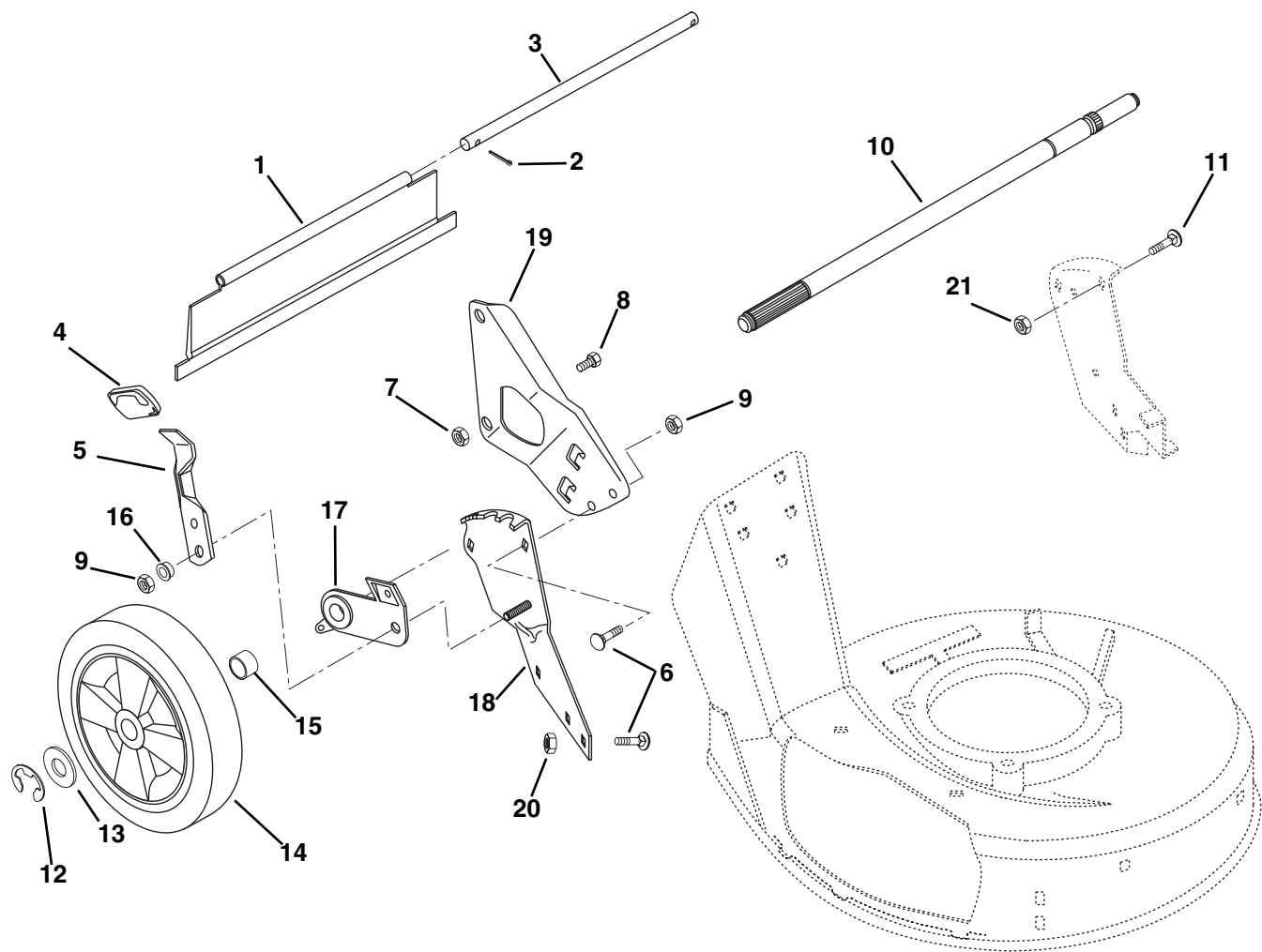


PM0220

Item	Part No.	Qty.	Description
1	05708300	2	Ring-Retaining-External .625 x .042
2	06436100	2	Washer-Flat-Steels .630 x 1.005 x .062
3	01169459	1	Right Mount Arm Weldment
	01169559	1	Left Mount Arm Weldment
4	05504700	4	Bushing-Sleeve .625 x .750 x .500
5	06814600	2	Pin-Clevis .25 x 1.75
6	06222000	6	Bolt-Round Head Square Neck .31-18 x .50
7	06530400	6	Nut-Hex .31-18
8	07012600	2	Fitting-Lube .25-28 x .256
9	01169359	2	Wheel Yoke Weldment
10	06711900	2	Pin-Hair External .12 x .31 x 2.37
11	01168100	2	Axle Tab
12	01168300	2	Pin-Clevis
13	05502100	2	Bushing-Flange .500 x .500 x .750
14	01169200	2	Ring-Kickout
15	07149900	2	Wheel

# WHEELS AND ADJUSTERS

Model 907254x



PM0230

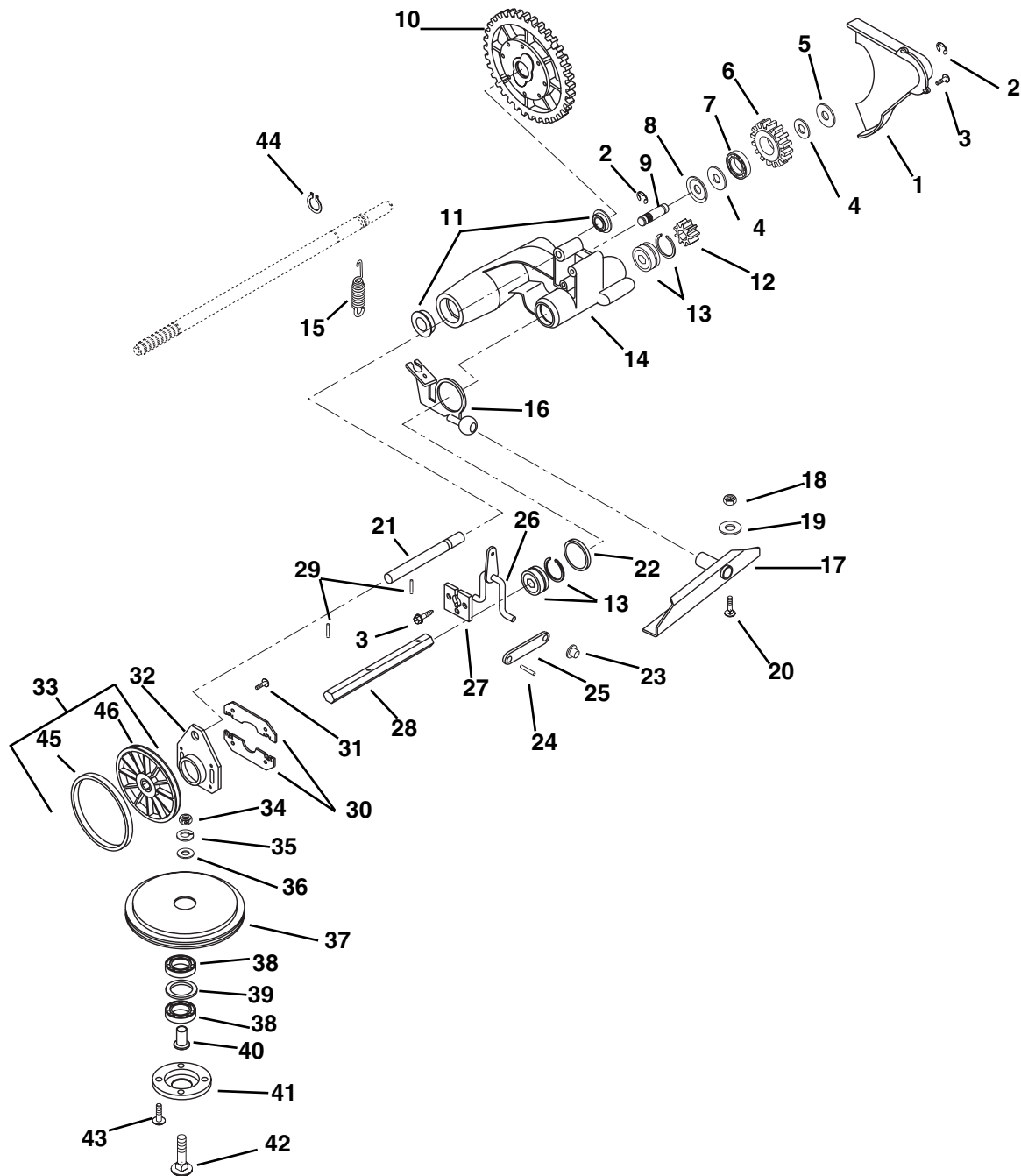
# WHEELS AND ADJUSTERS

Model 907254

Item	Part No.	Qty.	Description
1	07522300	1	Rear Protective Guard, Self Propelled
2	06712400	3	Pin-Cotter .06 x .50
3	01140000	1	Rod
4	07513600	2	Knob
5	01130600	2	Height Adjustment Lever
6	06212200	8	Bolt-Round Head Square Neck .31-18 x .62
7	06529600	2	Nut-Locking-Center .38-16
8	01167100	2	Handlebar Stud
9	06529800	8	Nut-Locking-Center .31-18
10	01149500	1	Rear Axle
11	06221800	1	Bolt-Round Head Square Neck .31-18 x 1.00
12	05710200	4	Ring-Retaining-External .500 x .042
13	06436600	7	Washer-Flat-Steel .505 x .880 x .072
14	07151200	1	Left Hand Wheel
	07151500	1	Right Hand Wheel
	07103900	2	Tire Skin 10.5 x 2.0
15	01149600	2	Spacer Tube
16	05514800	2	Bushing-Flange .312 x .500 x .344 x .880
17	01130700	1	Rear Adjuster Bracket-Left Hand
	01150400	1	Rear Bracket and Bearing Assembly
18	01154244	1	Rear Quadrant-Left Hand
	01154344	1	Rear Quadrant-Right Hand
19	01137244	1	Bracket-Handlebar Mounting-Right Hand
	01137151	1	Bracket-Handlebar Mounting-Left Hand
20	06530400	9	Nut-Locking-Flanged .31-18
21	06530200	1	Nut-Locking Nylon .31-18

# FRICION WHEEL AND ADJUSTERS

Model 907254



PM0240

Item	Part No.	Qty.	Description
1	01121044	1	Gear Cover
2	05705900	2	Ring-Retaining-External ,438 x .035
3	07411900	9	Screw-Tapping 12-24 x .50 Hex Washer Head
4	06441100	2	Washer - Flat - Steel .520 x.875 x .062
5	06425300	1	Washer - Flat - Steel .531 x 1.00 x .063
6	01131700	1	Idler Gear
7*	05408000	1	Bearing - Ball .50 x 1.38 x .437
8	01135100	1	Retainer
9	01139700	1	Idler Shaft
10	51102400	1	Differential Assembly

# FRICTION WHEEL AND ADJUSTERS

Model 907254

Item	Part No.	Qty.	Description
11*	05417600	2	Bearing-Ball .625 x 1.38 x .50
12	02201100	1	Gear - Pinion
13	05413700	2	Bearing - Ball .562 x 1.315 x .437
14	01140600	1	Drive Mount
15	08325200	1	Spring - Tension .051 x .60 x 2.25
16	01137900	1	Drive Actuator Weldment
17	01161945	1	Pivot Channel Weldment
18	06529800	2	Nut - Locking - Center .31-18
19	06437200	2	Washer-Flat-Steel .344 x .688 x .065
20	06212200	2	Bolt-Round Head Square Neck .312-18 x .62
21	01125100	1	Rod - Guide
22	06421600	1	Washer - Flat - Steel 1.390 x 2.00 x .20
23	02215300	2	Push Nut
24	05803500	2	Pin - Roll .125 x .50
25	01124200	2	Shift Link
26	01123600	1	Shift Arm Weldment
27	01125000	1	Retainer Plate
28	01125700	1	Hex Shaft
29	05800500	2	Pin - Roll .188 x .88
30	01153800	2	Thrust Plate
31	07412100	4	Screw - Tapping 10-24 x .373
32	01153900	1	Guide Plate)
33	51102500	1	Friction Wheel Assembly
34	06529200	1	Nut - Hex .31-18
35	06307400	1	Washer - Locking .312 x .097
36	06439400	1	Washer - Flat - Steel .328 x .875 x .062
37	01127300	1	Friction Sheave
38*	05435100	2	Bearing - Ball .625 x 1.375 x .43
39	06420200	1	Washer - Flat - Steel 1.062 x 1.344 x .032
40	01127400	1	Spindle Bearing
41	01127500	1	Bearing Retainer
42	06220200	1	Bolt - Round Head Square Neck .31-18 x 1.75
43	07411900	3	Screw - Tapping 12-24 Hex Washer Head
44	05701900	2	Ring - Retaining - External .625 x .035
45	01154400	1	Friction Ring
46	01149200	1	Friction Wheel Hub

\* Available as individual components or part of 51105600 Service Kit which consists of (2) 05435100, (1) 05408000, (2) 05413700 and (2) 05417600.

## Free Manuals Download Website

<http://myh66.com>

<http://usermanuals.us>

<http://www.somanuals.com>

<http://www.4manuals.cc>

<http://www.manual-lib.com>

<http://www.404manual.com>

<http://www.luxmanual.com>

<http://aubethermostatmanual.com>

Golf course search by state

<http://golfingnear.com>

Email search by domain

<http://emailbydomain.com>

Auto manuals search

<http://auto.somanuals.com>

TV manuals search

<http://tv.somanuals.com>