

IMPORTANT MANUAL

Do Not Throw Away

SEARS

**Operator's
Manual**



Model No.

257.796382

Electric Blower/Vac

**CUSTOMER
ASSISTANCE**

1-800-235-5878

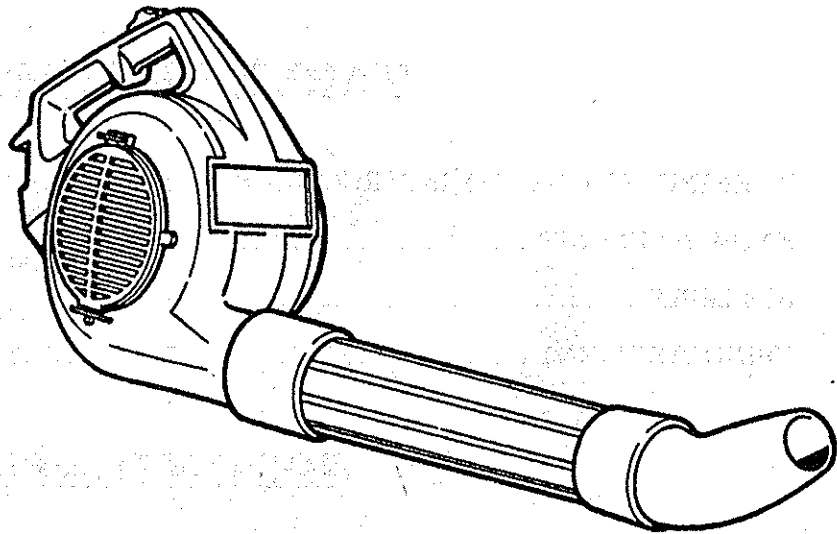
HOURS (CST)

Mon. - Sat. 7 a.m. - 7 p.m.

Sun. 10 a.m. - 7 p.m.

⚠ WARNING:

**Read the Operator's Manual and
Follow All Warnings and Safety
Instructions. Failure To Do So
Can Result in Serious Injury.**



Always Wear Eye Protection

SEARS/CRAFTSMAN®

ELECTRIC BLOWER/VAC

DOUBLE INSULATED

- Assembly
- Maintenance
- Operation
- Repair Parts

Sears, Roebuck and Co., Hoffman Estates, IL 60179 USA

534886431-6-07/13/94

© 1994, Sears, Roebuck and Co.

FULL ONE YEAR WARRANTY ON CRAFTSMAN ELECTRIC BLOWER

If this Craftsman Electric Blower fails to perform properly due to a defect in material or workmanship within (1) one year from the date of purchase, Sears will repair or replace it, free of charge.

WARRANTY SERVICE IS AVAILABLE BY RETURNING THE CRAFTSMAN ELECTRIC BLOWER TO THE NEAREST SEARS STORE IN THE UNITED STATES.

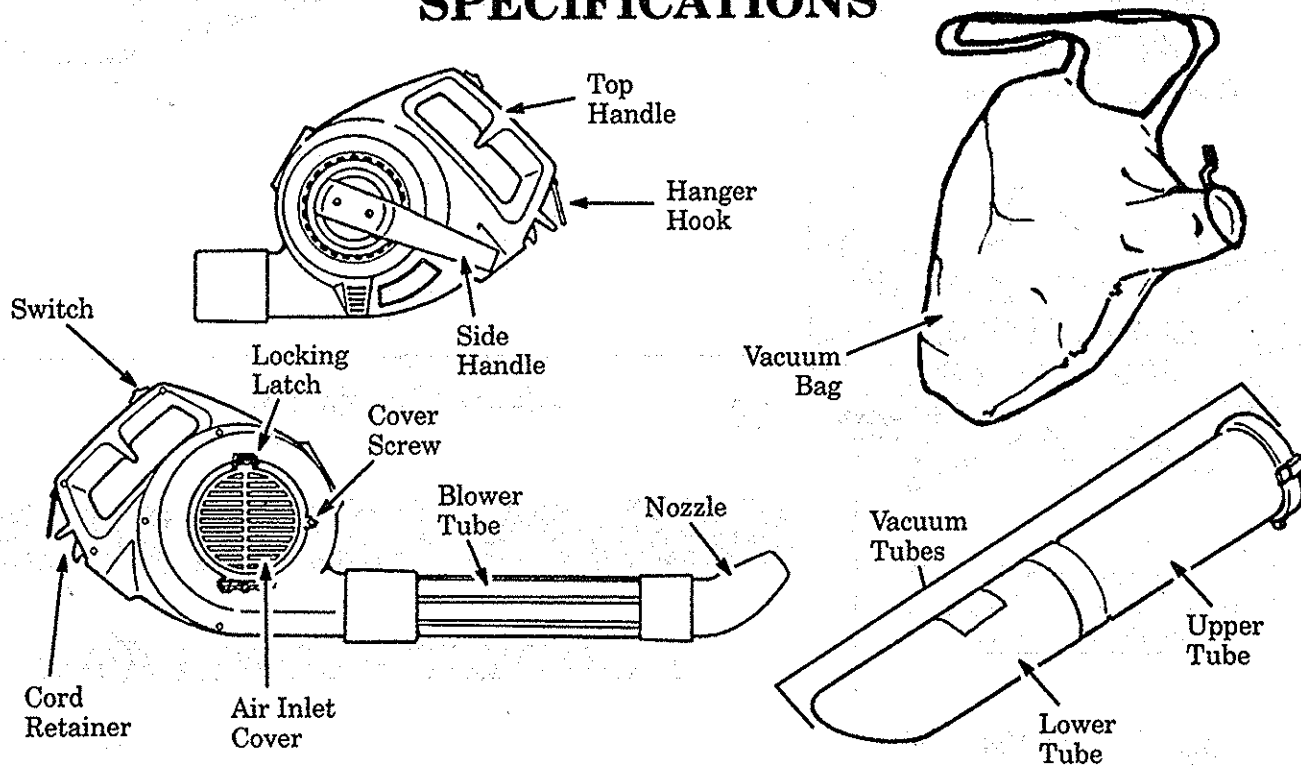
This warranty gives you specific legal rights, and you may also have other rights which vary from state to state.

SEARS, ROEBUCK AND CO./DEPT. D/817WA, HOFFMAN ESTATES, IL 60179

TABLE OF CONTENTS

WARNINGS AND SAFETY INSTRUCTIONS ..	3	CUSTOMER RESPONSIBILITY--	
KNOW YOUR UNIT	5	MAINTENANCE	9
ASSEMBLY	6	ACCESSORIES	9
USING YOUR UNIT	7	QUICK REFERENCE PAGE	11
		PARTS AND SERVICE	Back Cover

SPECIFICATIONS



MODEL:	257.796382
MOTOR:	1 HP (Permanent Magnet)
AMPS:	7
VOLTAGE:	120V - 60HZ
AIR VOLUME:	300 Cubic Feet Per Minute
AIR VELOCITY:	125 MPH
VACUUM:	Vacuum Components Included

Manufactured under one or more of the following U.S. Patents: 4,325,163 & 4,402,106; DES. 263,647. Other U.S. and foreign patents pending.

WARNINGS AND SAFETY INSTRUCTIONS

▲ WARNING

When using a cordless trimmer, these basic safety precautions must be followed to reduce risk of personal injury, fire, and electrical shock. Failure to follow all instructions can result in blindness or other serious injury.

▲ OPERATOR SAFETY

1. Do not operate unit in the rain, in standing water, or in damp or wet locations.
2. Disconnect and remove the battery before disassembly for servicing, cleaning, or removing debris.
3. DRESS PROPERLY—Always wear eye safety glasses when operating, servicing, or performing maintenance on your unit. Always wear a face mask or dust mask if operation is dusty. Always wear heavy, long pants, long sleeves, boots, and gloves. Do not go barefoot or wear short pants, short sleeves, sandals, jewelry, loose clothing, or clothing with loosely hanging straps, ties, tassels, etc.; they can be caught in moving parts. Secure hair so it is above shoulder length. Being fully covered will help protect you from pieces of toxic plants such as poison ivy thrown by the blades, which could be more of a hazard than touching the plant itself.
4. STAY ALERT—Do not operate the unit when you are tired, ill, or under the influence of alcohol, drugs, or medication. Watch what you are doing. Use common sense.
5. Keep others including children, animals, bystanders, and helpers at least 30 feet (10 meters) away. The trimmer line will throw objects. Stop the motor if you are approached.
6. Inspect the area to be cut before each use. Remove all objects such as rocks, broken glass, wire, etc., which could be thrown, become entangled in trimmer line, or could cause injury when assuming operating position.
7. Inspect the cutting head each time the line is replaced. Do not operate unit if the cutting head is chipped or cracked, or if spool will not snap securely into the hub.
8. Restrict unit to users who understand and follow all warnings and safety instructions in this manual.
9. Never turn the operating end of this unit toward your face except as instructed in the "Cutting Line Replacement" section. Avoid accidental starting. Do not carry this unit with your finger on the trigger. Keep all parts of your body away from the trimmer line when your finger is on or near the trigger. Use care in replacing line. Never touch the trigger while replacing line.
10. Extension cord information for recharging unit.

MINIMUM WIRE GAUGE RECOMMENDATIONS			
VOLTS	25-50 FT.	50-100 FT.	100-150 Ft.
120	16 A.W.G.*	16 A.W.G.*	14 A.W.G.*

*American Wire Gauge

11. Use this unit only for jobs explained in this manual. This unit was not designed to be used as an edger.
12. Keep firm footing and balance. Do not over-reach or use unit above shoulder level.
13. Do not operate unit while it is attached to the charger.
14. Do not rest the bump head on the ground.
15. Use only SEARS cutting line (see the Specification chart on page 2 for proper line size). Never use wire, rope, string, etc.

16. Keep handles dry, clean, and free from oil and grease.
17. Inspect entire unit, including guards, before each use. Have damaged parts replaced by your service dealer. Make sure all fasteners are in place and securely fastened.
18. DON'T FORCE THE TRIMMER—it will do the job better and with less likelihood of a risk of injury at the rate for which it was designed.

▲ ELECTRICAL SAFETY

1. Use only the charger provided with your unit. Use of any other charger could permanently damage the battery and the charger.
2. Use charger with standard household electrical outlets only. Do not abuse the charger or charger cord. Do not use the charger if the charger or charger cord is damaged.
3. Use the charger indoors only. Do not charge the unit in rain or in wet locations.
4. Store and charge this unit in a dry location and out of the reach of children.
5. Do not charge the battery or use the unit in an explosive or corrosive environment. Avoid areas where flammable liquids or gasses are present to avoid creating a fire or explosion.
6. Do not attempt to repair the unit. Cutting line replacement, cleaning the unit, and battery replacement are the only items suitable for user maintenance.
7. Battery units do not have to be plugged into an electrical outlet; therefore, they are always in operating condition. Be aware of possible hazards when you are not using your battery unit.
8. Avoid unintentional starting. Do not carry the unit with your finger on the switch.
9. Do not insert any object into the motor area.
10. Do not dispose of the battery in a fire. The cell may explode. Check with local code for proper disposal. Do not open or mutilate the battery. Released electrolyte is corrosive and may cause damage to the eyes or skin. It may be toxic if swallowed.
11. Exercise care in handling batteries in order not to short the battery with conducting materials such as rings, bracelets, and keys. The battery or conductor may overheat and cause burns.
12. Do not store or operate unit at temperatures lower than 35° F (2° C). Storing a discharged unit at low temperatures can damage the battery.
13. Do not submerge the unit in water or let water flow onto the case.
14. To reduce the risk of electric shock, unplug the charger from the outlet before attempting any maintenance or cleaning.

▲ TOOL SAFETY

1. Clean unit and labels with a damp sponge and mild household detergent. Never use metal objects or immersion in liquid to clean the unit.
2. Do not force the unit into material being cut. You will achieve better results and less risk of injury by not crowding the line into the cutting area.

If situations occur which are not covered in this manual, use care and good judgment. If you need assistance, contact your SEARS Service Center/Department or call the CUSTOMER ASSISTANCE HOTLINE at 1-800-235-5878.

SAVE THESE INSTRUCTIONS

KNOW YOUR UNIT

A. INTRODUCTION

Your electric blower/vac is a high performance product designed for tough jobs.

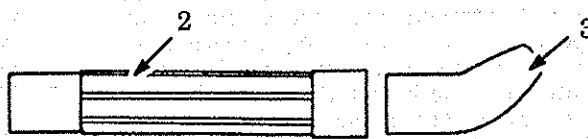
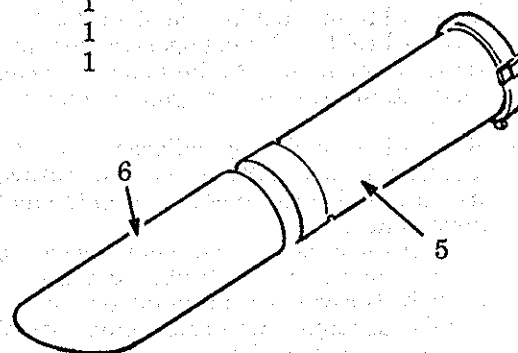
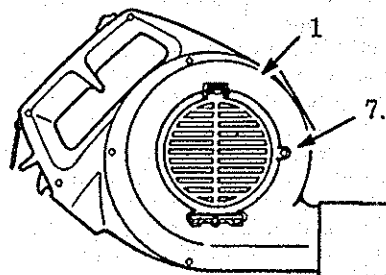
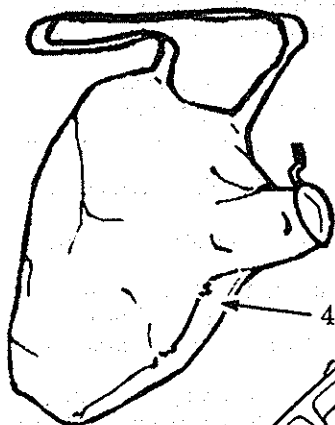
Special Features include:

- Top handle for one-handed operation.
- Direct Drive.
- Weight - 12 lbs.
- Convenient upright storage.

B. UNPACKING INSTRUCTIONS

1. Remove contents from the carton if you have not done so.
2. Check parts against the Carton Contents List.
3. Examine parts for damage. Do not use damaged parts.
4. Notify your SEARS Service Center/Department immediately if a part is missing or damaged.

KEY NO.	CARTON CONTENTS	QTY.
1.	Electric Blower	1
2.	Blower Tube	1
3.	Nozzle	1
4.	Vacuum Collection Bag	1
5.	Upper Vacuum Tube	1
6.	Lower Vacuum Tube	1
7.	Cover Screw (8-11 X 1/2)	1
8.	Operator's Manual (not shown)	



WARNING: Replacement of parts in double insulated systems of portable electric units should only be performed by qualified individuals with access to high voltage testing equipment. A severe shock hazard may occur if the replacement parts are not properly installed or tested.

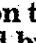
C. DOUBLE INSULATION CONSTRUCTION

This blower is Double Insulated to help protect against electric shock. Double insulation construction consists of two separate "layers" of electrical insulation.

Tools and appliances built with a double insulation system are not intended to be grounded. No grounding means is provided on this unit, nor should a means of grounding be added. As a result, the extension cord used with your unit can be plugged into any conventional 120 volt electrical outlet.

Safety precautions must be observed when operating any electrical tool. The double insulation system only provides added protection against injury resulting from an internal electrical insulation failure.

▲ WARNING

All electrical repairs to this unit, including housing, switch, motor, etc., must be diagnosed and repaired by Sears qualified service personnel. Replacement parts for a double insulated appliance must be identical to the parts they replace. A double insulated appliance is marked with the words "DOUBLE INSULATION" or "DOUBLE INSULATED." The symbol (square within a square)  may also be marked on the appliance. Failure to have the unit repaired by Sears qualified service personnel can cause the double insulation construction to become ineffective and result in serious injury.

ASSEMBLY

A. PREPARATION

Your Operator's Manual has been developed to help you assemble the unit and to understand its safe operation. It is important that you read your manual completely to become familiar with the unit *before* you begin assembly.

1. **READ YOUR OPERATOR'S MANUAL.**
2. The only tool required is a Phillips head screwdriver.

B. BLOWER TUBE ASSEMBLY

1. Insert blower tube into blower outlet. Turn blower tube clockwise until it is firmly seated. Figure 1.
2. With a slight twisting motion, slide the concentrator nozzle firmly into the end of the blower tube. Figure 1 (inset). The fully assembled unit should look like the one in Figure 7.

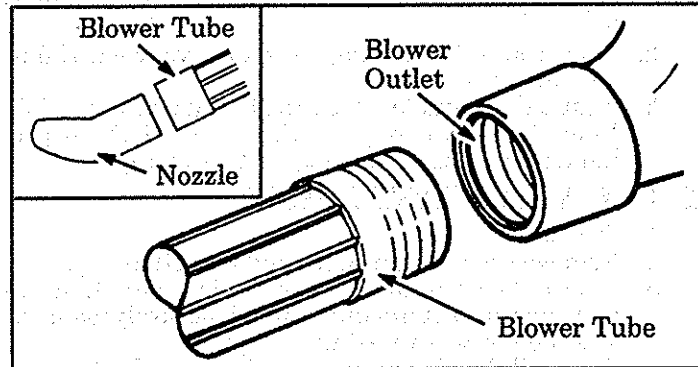


Figure 1

C. VACUUM TUBE/BAG ASSEMBLY

▲ WARNING

Stop the unit and disconnect it from the power source before opening the vacuum inlet door or attempting to insert or remove the vacuum tubes. The motor must be stopped and the impeller blades no longer turning to avoid serious injury from the rotating blades.

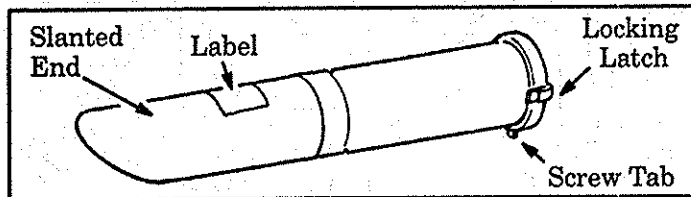


Figure 2

NOTE: The lower vacuum tube is cut at an angle. Make sure the label on the lower vacuum tube is aligned on the opposite side of the screw tab on the upper vacuum tube (shown in Figure 2).

1. Remove the blower tube and nozzle (if assembled to the unit) by turning the tube counterclockwise.
2. Slide vacuum tubes together. Figure 2.
3. Using a Phillips screwdriver, remove the screw from the inlet cover. Figure 3. Retain the screw.
4. Press the locking latch (Figure 3) and open the inlet cover.
5. Holding inlet cover open, slide upper tube into the air intake opening until the latch on the locking ring snaps into place. Figure 4.
6. Install the screw in the screw tab on the vacuum tube. Figure 4. Tighten securely.
7. Fit the opening of the bag over the blower outlet. Make sure the vac bag strap is located completely over the blower outlet collar and is in the neck area between the blower outlet collar and the blower housing. Figures 3 and 5. Pull the strap tightly through the "D" ring and secure with the velcro tabs. Figure 5.

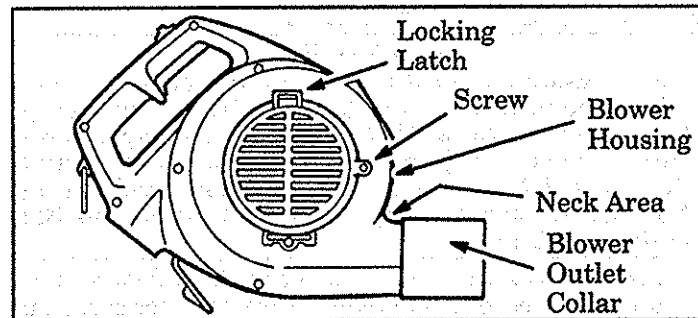


Figure 3

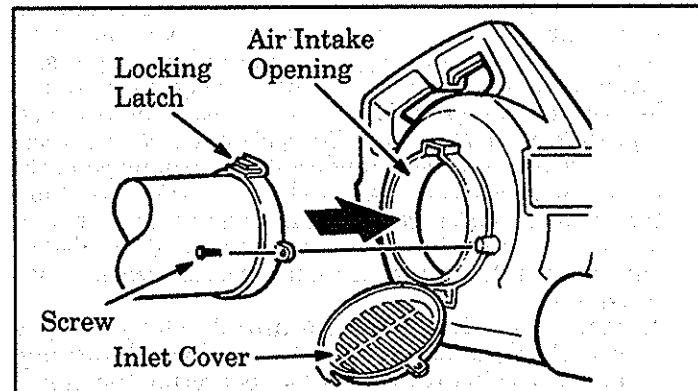


Figure 4

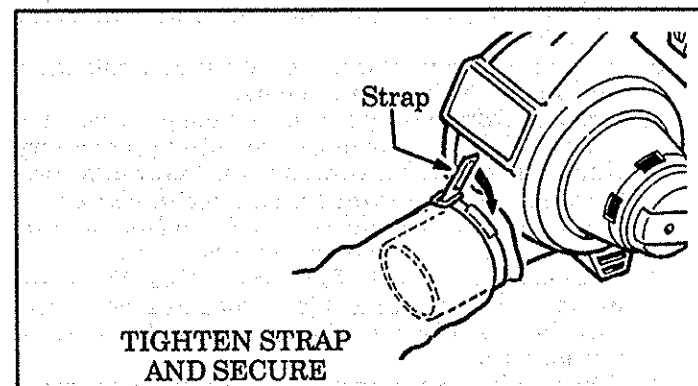


Figure 5

D. SHOULDER STRAP ADJUSTMENT

1. With your left hand hold the unit in an upright position, supporting the lower vacuum tube on the ground. Make sure the blower outlet and collection bag are positioned on your right-hand side. Figure 6.
2. Place the collection bag strap over your left shoulder. Figure 6.
3. Adjust the shoulder strap to allow a free flow of air from the blower outlet. Figure 6. If the bag is kinked, the unit will not operate properly.

E. BLOWER CONVERSION

1. Stop unit.
2. Remove the vacuum tubes and collection bag.
3. Secure the vacuum inlet cover. Make sure that the latch on the vacuum inlet cover is securely fastened and the screw is reinstalled.
4. Reinstall the blower tubes as shown in the "Blower Tube Assembly" section.

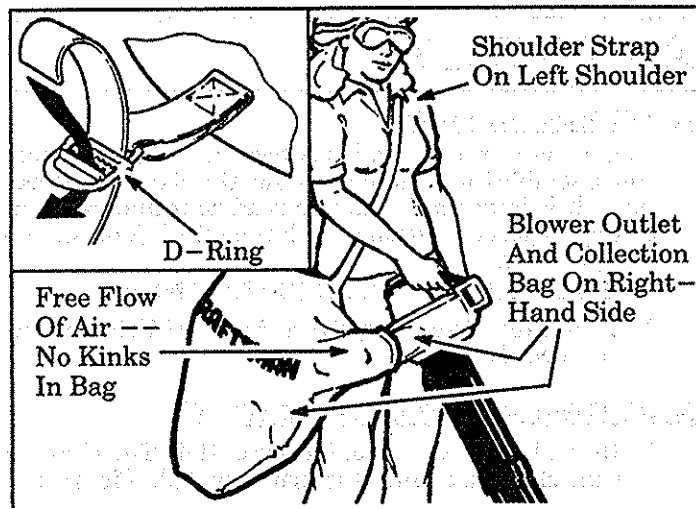


Figure 6

USING YOUR UNIT

A. OPERATOR SAFETY

▲ WARNING

Do not assemble or disassemble the vacuum tube while the unit is running. Inserting or removing the vacuum tube while the unit is running can result in serious injury. Always stop the unit and disconnect the power source before unclogging the unit or performing any maintenance on the collection bag.

As a blower, the unit is designed to blow debris, grass, straw, leaves, or small twigs. Never use for spreading or misting chemicals, fertilizers, or any other materials which may contain toxic substances. As a vacuum, the unit is designed to pick up dry material such as leaves, grass, small twigs, and bits of paper. Do not attempt to vacuum stones, gravel, metal, broken glass, or any other debris which may cause damage to the impeller. *Do not attempt to vacuum snow, water, or any other liquids to avoid the possibility of electrical shock.* Vacuuming water or other liquids will cause damage to the unit and possible electrical shock. Avoid situations that could catch the collection bag on fire. Do not operate near an open flame. Do not vacuum discarded cigars or cigarettes or ash from fireplaces, barbecue pits, brush piles, etc.

1. **Read your Operator's Manual.** Make sure you completely understand and can follow all warnings and safety instructions *before* operating the unit.
2. **Always wear eye protection** to prevent rocks or debris from being blown or ricocheting into eyes and face which can result in blindness or other serious injury.
3. **Always wear a respirator or facemask** when working in dusty environments.
4. **Dress safely in long pants.** Do not go barefoot or wear sandals, short pants, loose clothing, or jewelry.
5. **Keep children, bystanders, and animals safely away.** *Before starting the unit and during operation, make certain children, people, and animals are a minimum of 30 feet away from the work area.*
6. **Inspect the area before operating the unit.** Remove all debris and objects such as rocks, glass, wire, large sticks, etc., that can cause damage during operation.
7. **When using your unit as a vacuum,** always use collection bag shoulder strap to avoid loss of control.

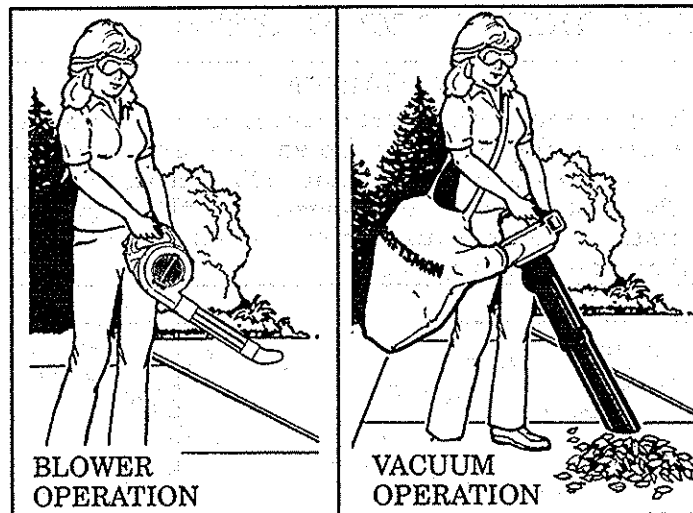


Figure 7

8. **Check the unit before each operation.** Look for worn, loose, missing, or damaged parts. Do not use the unit until it is in proper working order.
9. **Check air intake opening, blower tubes, and vacuum tubes frequently,** always with the motor stopped and the power source disconnected. Keep vents and discharge tubes free of debris which can accumulate and restrict proper air flow.
10. **Use the correct operating position.** Figure 7. Do not overreach or use from unstable surfaces such as ladders, trees, steep slopes, roof tops, etc. Keep firm footing and balance at all times.
11. **Never place objects inside blower tubes;** always direct blowing debris away from people, animals, glass, and solid objects such as trees, walls, automobiles, etc. The force of air can cause rocks, dirt, or sticks to be thrown or to ricochet which may hurt people or animals, break glass, or cause other damage.
12. **Never run the unit without the proper equipment attached.** When using your unit as a blower, always install blower tubes. When using your unit as a vacuum, always install vacuum tubes and collection bag assembly. Make sure collection bag assembly is completely zipped.

B. EXTENSION CORD

1. Use only a 120 A.C. voltage supply as shown on the nameplate of the unit to power your blower.
2. The extension cord used to reach the power source must be:
 - a. Specifically marked as suitable for outdoor use (WA).
 - b. Heavy enough to carry the current from the power source the full length of the extension cord to the unit. Otherwise, loss of power and overheating can occur causing damage to the unit. Refer to Figure 8 for minimum wire gauge recommendations. *The cord must be marked with the proper wire gauge.* (Appropriate extension cords are available.)
 - c. In good condition. Cord insulation must be intact with no cracks or deterioration. Plug connectors must be undamaged.
3. Secure extension cord to unit as follows:
 - a. Loop the extension cord through the cord retainer and around the hook. Figure 9.
 - b. Insert cord socket into recessed plug. Figure 9.

MINIMUM WIRE GAUGE RECOMMENDATIONS			
VOLTS	25 FT.	50 FT.	100 FT.
120	18	16	14
	A.W.G.*	A.W.G.*	A.W.G.*

*American Wire Gauge

Figure 8

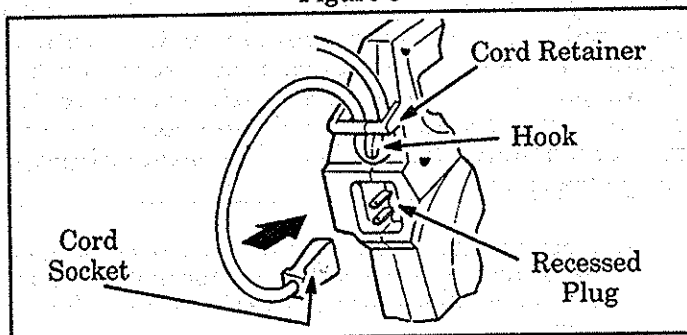


Figure 9

C. OPERATING TIPS -- BLOWER

▲ WARNING

Do not use the unit as a blower without the blower tubes properly attached to avoid flying debris and/or impeller contact which can cause serious injury.

▲ WARNING

Always wear eye protection to prevent rocks or debris from being blown or ricocheting into the eyes and face which can result in blindness or other serious injury.

1. Always work going away from solid objects such as walls, large stones, automobiles, and fences.
2. Clean corners by starting in corners and moving outward to straight areas to prevent an accumulation of debris which could fly into face.

D. OPERATING TIPS -- VACUUM

▲ WARNING

Do not use the unit as a vacuum without the vacuum tubes and collection bag properly attached to avoid flying debris and/or impeller contact which can cause serious injury. Always make sure the collection bag is completely zipped before the unit is started.

1. When using your unit as a vacuum, best results are achieved when the unit is operated at full speed.
2. Move the unit slowly back and forth over debris to be vacuumed. Avoid forcing the vacuum tube into a pile of debris as this can clog the unit.
3. The vacuum can pick up objects that are too big to pass through the impeller. This type of object will fall out of the vacuum tubes when the unit is stopped.
4. If the unit becomes clogged:

3. Be careful when working near plants. The force of the air could damage tender plants.
4. Direct air flow by directing the nozzle down or to one side.
5. Vary air flow by adjusting the position of switch. Use low speed when blowing in corners, against walls, around tender plants, etc. Use high speed when blowing in open areas or when vacuuming.
6. Use the assist handle located on the side of the unit when working above the waist or when a two-handed grip is desired.
7. Uses For Your Blower:
 - a. Sweeping debris or grass clippings from driveways, sidewalks, patios, parks, parking lots, barns, stadiums, etc.
 - b. Piling grass clippings, straw, or leaves.
 - c. Removing debris from corners, around joints, and between bricks.

- a. Stop the motor and disconnect the power source. Do not attempt to remove obstructions with the motor running.
- b. Wait until the impeller has completely stopped turning, then remove the vacuum tube.
- c. Carefully reach into the vacuum opening and clear out debris.
5. The collection bag must be properly emptied and maintained to avoid deterioration and obstruction of air flow which will reduce the performance of the vacuum.
 - a. Remove bag from unit. Empty after each use by turning bag inside out and shaking out debris. Do not store bag containing leaves, grass, etc.
 - b. Wash the bag once a year as follows:
 - 1) Turn the bag inside out.
 - 2) Hang it up.
 - 3) Thoroughly hose it down.
 - 4) Let bag hang until dry.

E. PRE-OPERATION CHECKS

Before operating your unit, always:

1. ✓CHECK OVER WARNINGS AND SAFETY INSTRUCTIONS in this Operator's Manual. Make certain you completely understand and follow each one.

2. ✓CHECK THE UNIT FOR LOOSE BOLTS, NUTS, OR FITTINGS. Tighten, repair, or replace parts as necessary. Use only genuine replacement parts as recommended by Sears.

CUSTOMER RESPONSIBILITIES -- MAINTENANCE

A. MAINTAIN UNIT WITH CARE

▲ WARNING

This blower is provided with double insulation. Use only identical replacement parts. All electrical repairs to the unit, including housing, switch, motor, etc., must be diagnosed and repaired by Sears qualified service personnel. Failure to do so can cause the double insulation construction to become ineffective and result in serious injury to the operator.

1. **Keep the air intake clean and air vents free of debris** to avoid overheating the motor. Figure 10. Do not allow foreign objects to enter the fan area.
2. **If an object is drawn into the unit through the air intake, do the following:**
 - a. Turn the switch to "Off" and unplug the power cord.
 - b. Remove cover screw. Remove the vacuum tubes and/or open the inlet cover (Figure 11).
 - c. Locate and remove object(s).
 - d. Inspect impeller for cracks. If damaged, do not operate unit to avoid injury to operator or others and/or further damage to the unit. Have impeller replaced by a Sears qualified service dealer. Do not attempt to replace it yourself.
 - e. Rotate the impeller to be certain it turns freely. If it does not, check for additional foreign material or have unit inspected and repaired by a Sears qualified service dealer.
 - f. Close cover and reinstall vacuum tubes and cover screw.
3. **If unit vibrates abnormally, stop motor immediately.** Abnormal vibration usually indicates a mechanical problem and continued operation could lead to injury to operator or others and/or damage to the unit.
4. **The unit is equipped with self-lubricating bearings.** Periodic relubrication is not required.
5. **If the unit fails to operate,** disconnect extension cord from power source first, then from the unit. Make sure extension cord is undamaged and that house fuses are not blown or circuit breakers tripped. If the unit still fails to operate, take or send it to your Sears Service Center/Department for repair. Do not attempt to repair it yourself.

B. STORAGE

1. **Clean the unit before storing.** Pay particular attention to the air intake and air vents; keep them free of debris. Use a mild detergent and sponge dampened with warm water to clean the plastic surfaces. Avoid all other types of detergents, cleaners, or solvents; they can contain chemicals, such as aromatic oils (lemon, pine) or kerosene, that can seriously damage the plastic housing. Do not spray the unit with water.
2. **Store in a dry area out of reach of children.**
3. **The collection bag must be properly emptied and maintained** to avoid deterioration and obstruction of air flow which will reduce the performance of the vacuum. For cleaning instructions, refer to "USING YOUR UNIT," in the "OPERATING TIPS -- VACUUM" section.

▲ WARNING

Maintain the unit according to recommended procedures.

▲ WARNING

Avoid all types of detergents, cleaners or solvents. Never submerge the unit or douse it with water or any other liquid.

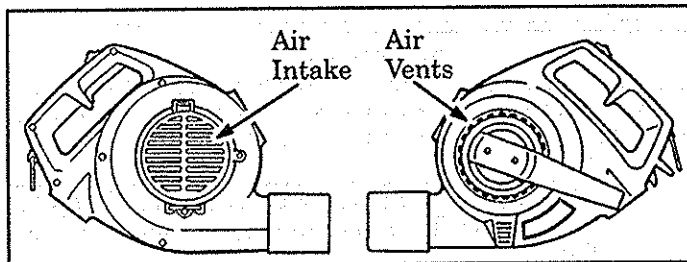


Figure 10

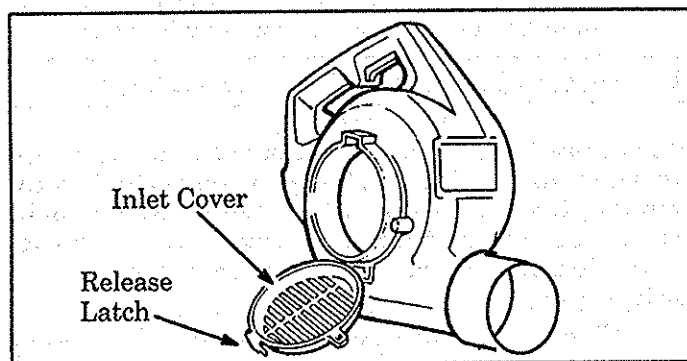


Figure 11

ACCESSORIES

The following accessories are available through Sears Retail Stores, Catalog Outlets, or Service Centers.

ITEM

- Safety Glasses
- Safety Goggles
- Gutter Attachment Kit
- Operator's Manual

NOTES

NOTES

NOTES

1. The first part of the paper is devoted to a discussion of the general theory of the subject.

2. The second part of the paper is devoted to a discussion of the general theory of the subject.

3. The third part of the paper is devoted to a discussion of the general theory of the subject.

4. The fourth part of the paper is devoted to a discussion of the general theory of the subject.

5. The fifth part of the paper is devoted to a discussion of the general theory of the subject.

6. The sixth part of the paper is devoted to a discussion of the general theory of the subject.

7. The seventh part of the paper is devoted to a discussion of the general theory of the subject.

8. The eighth part of the paper is devoted to a discussion of the general theory of the subject.

9. The ninth part of the paper is devoted to a discussion of the general theory of the subject.

10. The tenth part of the paper is devoted to a discussion of the general theory of the subject.

11. The eleventh part of the paper is devoted to a discussion of the general theory of the subject.

12. The twelfth part of the paper is devoted to a discussion of the general theory of the subject.

13. The thirteenth part of the paper is devoted to a discussion of the general theory of the subject.

14. The fourteenth part of the paper is devoted to a discussion of the general theory of the subject.

15. The fifteenth part of the paper is devoted to a discussion of the general theory of the subject.

16. The sixteenth part of the paper is devoted to a discussion of the general theory of the subject.

17. The seventeenth part of the paper is devoted to a discussion of the general theory of the subject.

SEARS

Operator's Manual

Model No.
257.796382

Electric Blower/Vac

How to Order Repair Parts

**SEARS SERVICE
IS AT YOUR SERVICE**

**CUSTOMER
ASSISTANCE**

1-800-235-5878

HOURS (CST)
Mon. - Sat. 7 a.m. - 7 p.m.
Sun. 10 a.m. - 7 p.m.

The Model Number will be found below the top handle with the Serial Number. Always mention the Model Number when requesting service or repair parts for your unit.

All parts listed herein may be ordered from any Sears Service Center and most Sears Stores.

WHEN ORDERING REPAIR PARTS ALWAYS GIVE THE FOLLOWING INFORMATION AS SHOWN IN THIS LIST:

- | | |
|--|--|
| 1. The PART NUMBER | 3. The PART DESCRIPTION |
| 2. The MODEL NUMBER
257.796382 | 4. The NAME OF ITEM --
Electric Blower/Vac |

If the parts you need are not stocked locally, your order will be transmitted to a Sears Repair Parts Distribution Center for handling.



When you buy merchandise from Sears you get an extra value that nobody else can offer -- Sears Service.

Across town or across the country, Sears Service is always near, providing trustworthy, competent service technicians using only Sears specified factory parts.

Your Sears Merchandise takes on added value when you discover that Sears has Service Units throughout the country. Each is staffed by Sears-Trained, professional technicians using Sears approved methods.

Sears, Roebuck and Co., Hoffman Estates, IL 60179 USA

PRINTED IN U.S.A.

Free Manuals Download Website

<http://myh66.com>

<http://usermanuals.us>

<http://www.somanuals.com>

<http://www.4manuals.cc>

<http://www.manual-lib.com>

<http://www.404manual.com>

<http://www.luxmanual.com>

<http://aubethermostatmanual.com>

Golf course search by state

<http://golfingnear.com>

Email search by domain

<http://emailbydomain.com>

Auto manuals search

<http://auto.somanuals.com>

TV manuals search

<http://tv.somanuals.com>