

(5)- (110 SOURCE) **DRYER MOTOR KIT #279827.**

INSTALLATION AND WIRING INSTRUCTIONS

for Pluggable Motor Replacement

This Kit Contains:

- 1 Motor Assembly
- 2 1/8" Female Terminals (Insulated)
- 1 Sheet. Instruction

⚠ WARNING

Electrical Shock Hazard
 Disconnect power before servicing.
 Failure to do so could result in serious injury or death.

NOTE TO THE INSTALLER: This motor kit is an authorized FSP service replacement part for your application. The motor in this kit may or may not be identical to your old motor. If your current motor has the pluggable motor switch (see Figure 4B), replace the service motor in the same manner as you removed your defective motor. If your defective motor has the switch where the wire lead from the main harness connects to the motor switch individually, carefully follow instructions below.

⚠ WARNING

Potential Fire Hazard and/or Nuisance Tripping of Motor Protector

DO NOT under any circumstance attempt to remove or replace the motor switch from this pluggable service motor. The switch is a non-serviceable component.

Failure to do so could result in fire, serious injury or death.

1. Remove defective motor using standard motor removal procedures.
2. Compare and note the difference between the defective motor and your new replacement motor. The first thing you will need to compare is the motor pulleys. The pulley supplied with the replacement motor can be used in all applications. Although there are two (2) cases, you may want to use the pulley from the defective motor. See Figure 1 for these two (2) cases.
3. If you choose to use the pulley supplied with the replacement motor, you may proceed to step 8. Otherwise proceed to step 4.
4. Remove pulley from replacement motor by using two (2) open end or adjustable wrenches. Place one on the motor shaft, right behind the pulley, and the other on the pulley. Holding the motor shaft in place with one (1) wrench, turn pulley with other wrench in a counterclockwise direction to remove pulley. See Figure 2.
5. Remove belt restrainer from replacement motor. See Figure 2.



3-SPEED APPLICATION



2-SPEED APPLICATION

FIGURE 1

NOTE: If you choose not to reuse your pulley from the defective motor as shown in Figure 1, you will lose the 2-speed or 3-speed option.

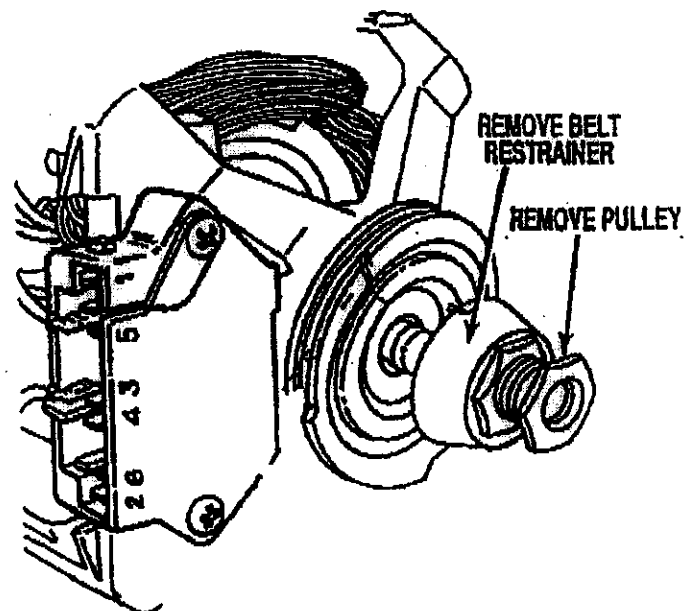
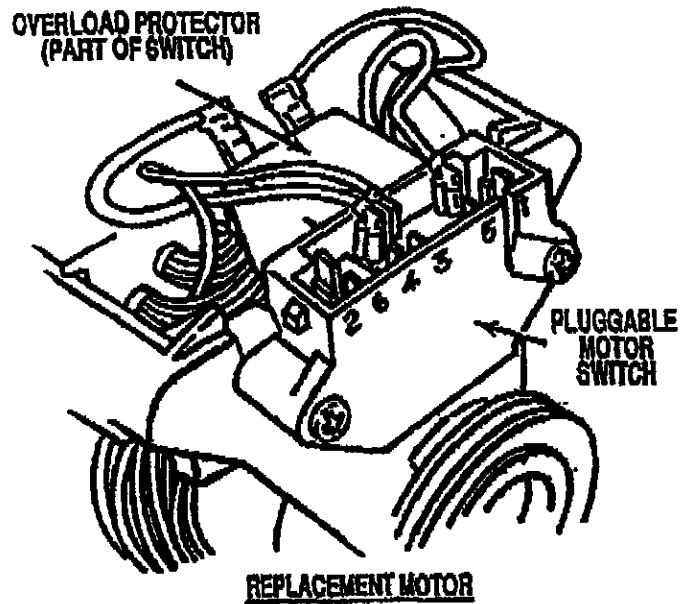
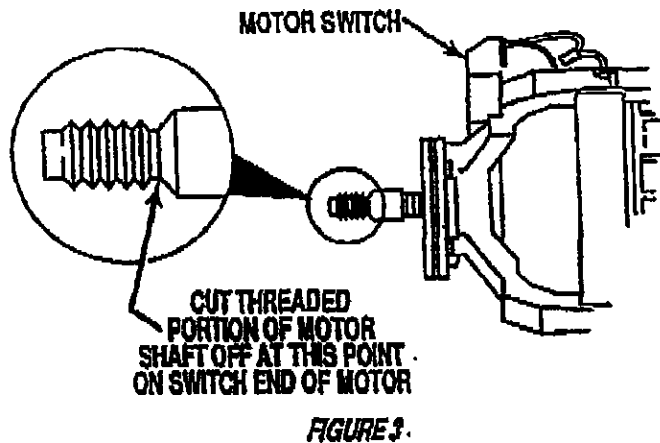


FIGURE 2

(Continued)

- From the switch end of the replacement motor, cut the threaded portion of the motor shaft off using a hacksaw. See Figure 3.

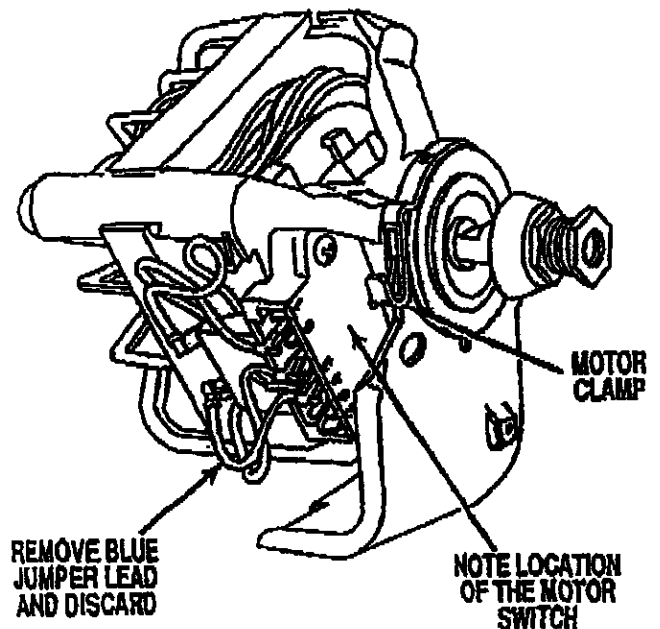
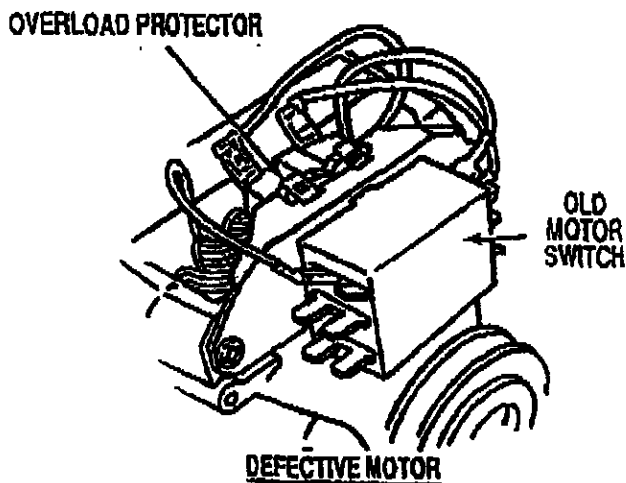


- With an allen wrench, remove the pulley from the defective motor and reinstall it on the replacement motor. Be sure to push pulley onto the motor shaft all the way and tighten the setscrew securely in place.

- Position motor as shown in Figure 5. Note the location of the motor switch. Secure motor to bracket with the original motor clamps.

- Compare and note difference between the motor switch of the defective motor and the switch of the new replacement motor. If the switches are the same, simply install the motor in reverse order you've removed the defective motor. See Figures 4A & 4B. If not, proceed to step 9.

NOTE: Overload protector is part of the pluggable switch on the replacement motor and separate on the old motor switch.



(Continued)

WIRING INSTRUCTIONS

10. ~~Disconnect and remove the blue jumper wire that runs from the motor switch to the overload and discard.~~
See Figure 5.
11. ~~Connect the blue (4M) wire from main harness to the vacant terminal on the overload projector that you remove the jumper wire from in step 10.~~ *See Figure 6.*
12. Connect the red (1M) wire lead from main harness to the $\frac{1}{4}$ " terminal marked "1" on the motor switch.
See Figure 6.
13. Connect the red (2M) wire lead from main harness to the $\frac{1}{4}$ " terminal marked "2" on the motor switch.
See Figure 6.
14. To connect the black (6M) wire lead from main harness and the white (5M) wire lead from main harness to the motor switch, you must replace the $\frac{1}{4}$ " female terminals with the $\frac{1}{8}$ " insulated female terminals included with the replacement motor.
15. Cut the $\frac{1}{4}$ " female terminal from the black (6M) and white (5M) wire leads from main harness as close to the terminal as possible with wire cutters.
16. Strip wires back approximately $\frac{1}{4}$ of an inch.
17. With barrel crimpers, crimp $\frac{1}{8}$ " insulated female terminals, included with motor, onto the wire leads.

NOTE: Make sure terminals are crimped securely in place.
18. Connect the white (5M) wire lead from main harness onto the $\frac{1}{8}$ " terminal marked "5" on the motor switch.
See Figure 6.
19. Connect the black (6M) wire lead from main harness onto the $\frac{1}{8}$ " terminal marked "6" on the motor switch.
See Figure 6.

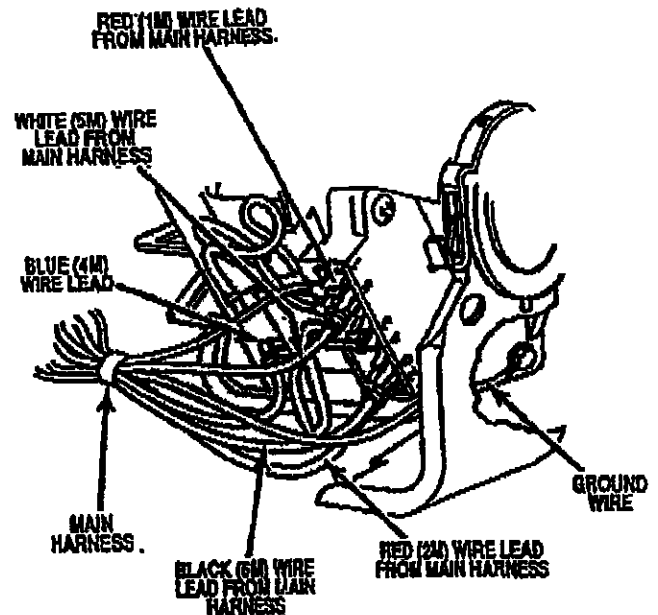


FIGURE 6

20. Reconnect ground wire. *See Figure 6.*
21. All wire lead connections are complete at this point. Finish reassembling dryer.

Free Manuals Download Website

<http://myh66.com>

<http://usermanuals.us>

<http://www.somanuals.com>

<http://www.4manuals.cc>

<http://www.manual-lib.com>

<http://www.404manual.com>

<http://www.luxmanual.com>

<http://aubethermostatmanual.com>

Golf course search by state

<http://golfingnear.com>

Email search by domain

<http://emailbydomain.com>

Auto manuals search

<http://auto.somanuals.com>

TV manuals search

<http://tv.somanuals.com>