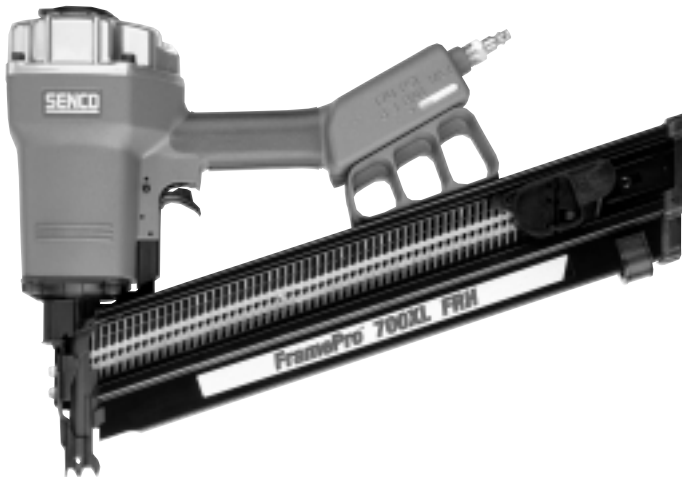


FramePro® 700XL/750XL FRH Nailer



Power. Speed. Balance. Durability. A few adjectives that easily describe SENC0's latest addition, the FramePro® XL Full Round Head series. These framing nailers have all the features the Pro is looking for—aggressive toenail safety, rugged internal components, more than enough power to drive the wide range of full round head nails, even common nails and an in-line magazine—all backed by the X-tended Life two-year warranty that makes the XL FRH series the choice of Pros. SENC0 tools. Hard Work. Bring it On!

Applications:

Framing, truss building, subflooring, sheathing, decking, siding, fencing, pallets and crate assembly.

Features and Benefits:

- Two-Year Warranty
- Rugged internal engine design for "X-tended Life"
- Aggressive sawtooth safety that really digs in for toenailing
- In-line magazine for superior balance and line of sight
- 700XL FRH drives ring and smooth shank nails in 4 gauges (.113, .120, .131 and .148) from 2" to 3 1/2"
- 750XL FRH drives smooth shank nails in 3 gauges (.131, .148 and .162) from 2 1/2" to 3 1/2"
- 750XL FRH provides 16% more power than the 700 FRH to drive common nails.
- Adjustable Exhaust
- Depth-of-Drive control and EZ-Clear feature
- Superior comfort grip handle that last and reduces vibration and fatigue

Tool Specifications:

	700XL FRH	750XL FRH
Tool Weight:	8.4 lbs (3.81 kg)	8.75 lbs (3.97 kg)
Height:	13 1/4" (336.55mm)	14 1/4" (361.95 mm)
Length:	20" (508 mm)	20" (508mm)
Nail Capacity:	60	60
Reg. Operating Pressure:	70-120 psig	
Mode of Operation:	Available with either Dual Action or Restrictive Trigger activating mechanisms.	

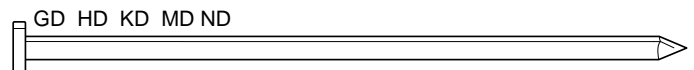
Fastener Specifications:

FramePro® 700XL FRH nailer drives 2" – 3 1/2" smooth shank nails (Sencote® or plain) and 2" – 3" ring shank nails. Shank diameter includes .113, .120, .131 and .148.

FramePro® 750XL FRH nailer drives 2 1/2" – 3 1/2" smooth shank nails (Sencote® or plain). Shank diameter includes .131, .148 and .162 (Common Nails).



GL-ring shank (.113) 2", 2 3/8"
HL-ring shank (.120) 3"



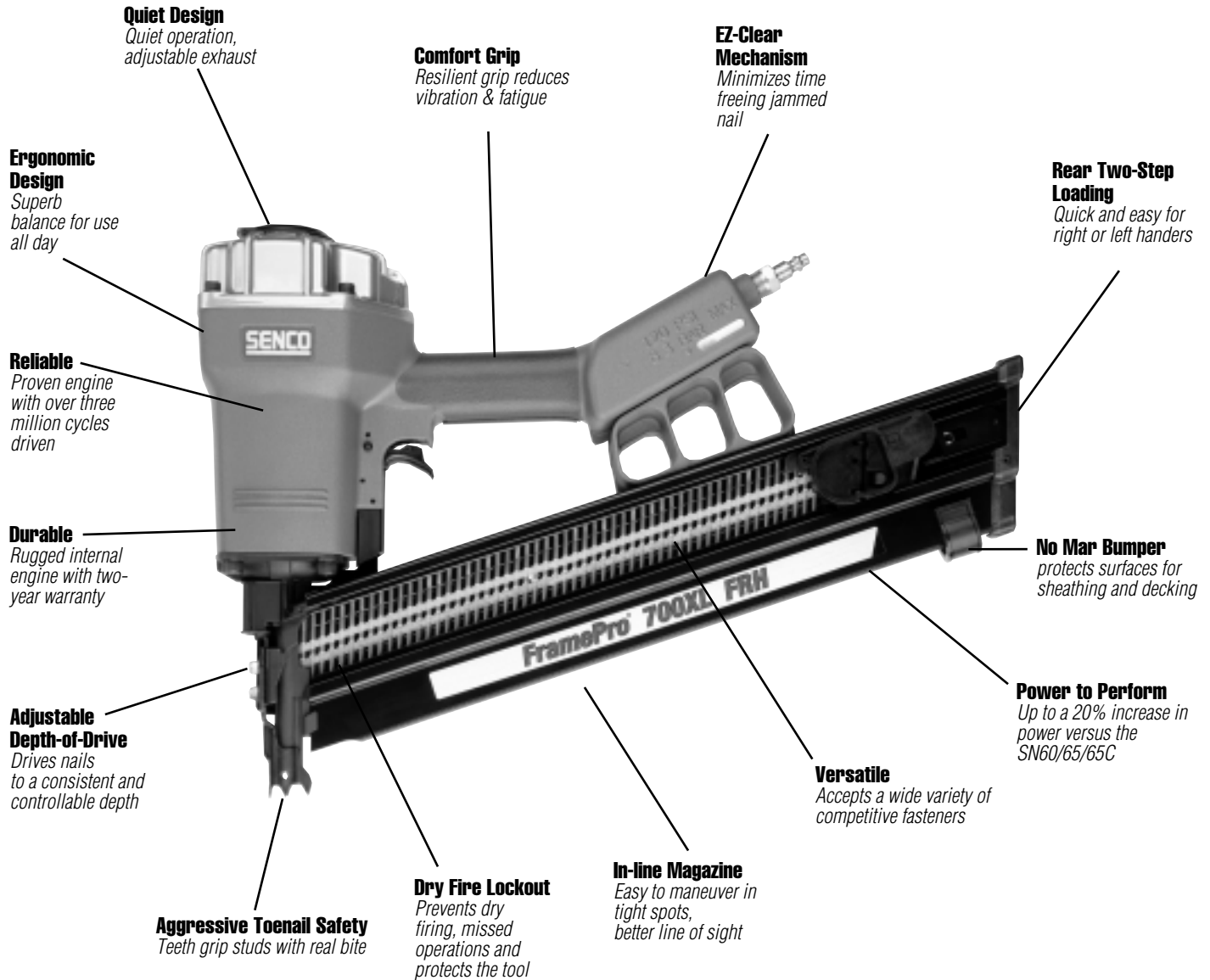
GD-smooth shank (.113) 2", 2 3/8", 2 1/2"
HD-smooth shank (.120) 3", 3 1/4"
KD-smooth shank (.131) 2 1/2", 3", 3 1/4", 3 1/2"
MD-smooth shank (.148) 2 1/4", 3", 3 1/2"
ND-smooth shank (.162) 3 1/2"

SENC0 TRIGGERING OPTIONS

Senco offers three types of triggering options that are safe when used in accordance with all warnings, instructions and safe workplace practices.

1. **Dual Action** (also called "bottom fire/trigger fire")
 - **Productivity.** For applications where high production work is desired (eg. decking, sheathing, siding)
 - **Safety.** A Dual Action Tool can result in an unwanted nail or staple being driven as a result of double fire, rebound, recoil, or leaving your finger on the trigger and bumping yourself or a co-worker.
2. **Restrictive Trigger** (also called "trigger fire")
 - **Productivity.** For applications where precise nail or staple placement is desired.
 - **Safety.** A Restrictive Trigger tool reduces the probability of double fire and may reduce the probability of bodily injury to you or others in the area as a result of leaving your finger on the trigger and bumping yourself or a co-worker.
3. **ThinkTrac Technology** (Currently available on select models)
 - **Productivity.** Provides the bounce fire option for high production needs while providing safety advantages.
 - **Safety.** The ThinkTrac Technology reduces the probability of double fire and may reduce the probability of bodily injury to you or others in the area as a result of leaving your finger on the trigger and bumping yourself or a co-worker.

FramePro® 700XL/750XL FRH Nailer



Quiet Design
*Quiet operation,
adjustable exhaust*

Comfort Grip
*Resilient grip reduces
vibration & fatigue*

**EZ-Clear
Mechanism**
*Minimizes time
freeing jammed
nail*

**Ergonomic
Design**
*Superb
balance for use
all day*

**Rear Two-Step
Loading**
*Quick and easy for
right or left handers*

Reliable
*Proven engine
with over three
million cycles
driven*

Durable
*Rugged internal
engine with two-
year warranty*

No Mar Bumper
*protects surfaces for
sheathing and decking*

**Adjustable
Depth-of-Drive**
*Drives nails
to a consistent and
controllable depth*

Power to Perform
*Up to a 20% increase in
power versus the
SN60/65/65C*

Versatile
*Accepts a wide variety of
competitive fasteners*

Aggressive Toenail Safety
Teeth grip studs with real bite

Dry Fire Lockout
*Prevents dry
firing, missed
operations and
protects the tool*

In-line Magazine
*Easy to maneuver in
tight spots,
better line of sight*

**750XL FRH provides 16% more
power than the 700XL FRH to drive
common nails**

For additional information on how Senco Fastening Systems will save you time, reduce costs and increase quality, call your nearest Authorized Senco Dealer or Distributor listed in the Yellow Pages under "Staples," or call our toll-free Action Line: 1-800-543-4596.

Free Manuals Download Website

<http://myh66.com>

<http://usermanuals.us>

<http://www.somanuals.com>

<http://www.4manuals.cc>

<http://www.manual-lib.com>

<http://www.404manual.com>

<http://www.luxmanual.com>

<http://aubethermostatmanual.com>

Golf course search by state

<http://golfingnear.com>

Email search by domain

<http://emailbydomain.com>

Auto manuals search

<http://auto.somanuals.com>

TV manuals search

<http://tv.somanuals.com>