

Best Value in the Industry!

Full round head nailers are the result of our award-winning designs and fifty years experience. The FRH nailers feature a toenail safety, rugged aluminum casting, power to drive a wide range of full round head nails, even common nails and an in-line magazine for superior balance and line of sight. All this and more for the Pro.

Applications:

Framing, truss building, subflooring, sheathing, decking, siding, fencing, pallets and crate assembly

Features and Benefits:

- Sawtooth safety that digs in for precision toenailing
- In-line magazine for superior balance and line of sight
- 602 FRH drives ring and smooth shank nails in four gauges (.113, .120, .131 and .148) from 2" to 3-1/2"; 652 FRH drives four gauges (.120, .131, .148, and .162) from 2-1/4" to 3-1/2"
- Adjustable exhaust
- Soft comfort grip handle reduces fatigue
- Dry fire lockout
- Adjustable depth-of-drive
- No-mar bumper
- One-year warranty
- Rear two-step loading
- FramePro 652 provides 15% more power than FramePro 602

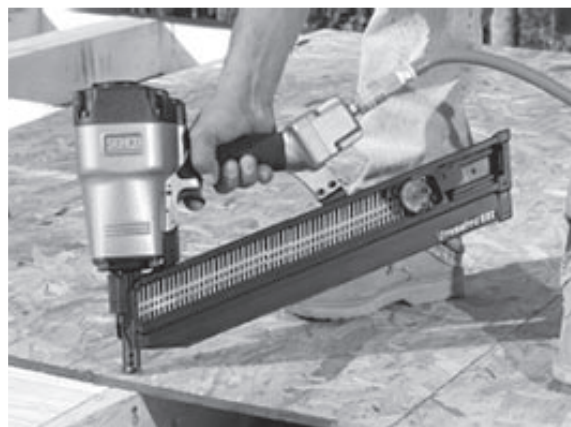
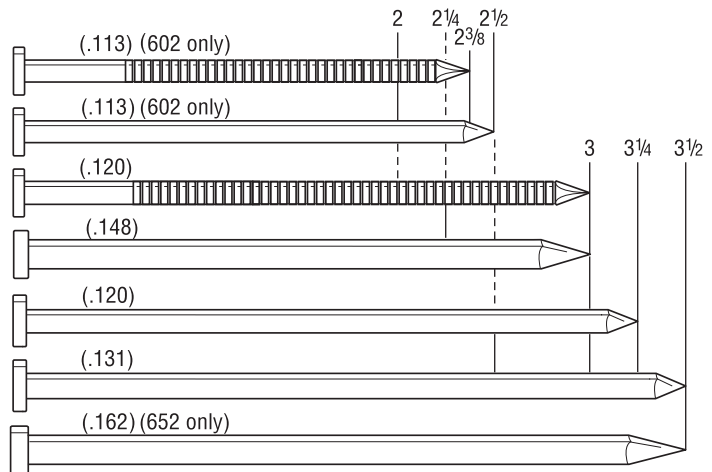
Tool Specifications:

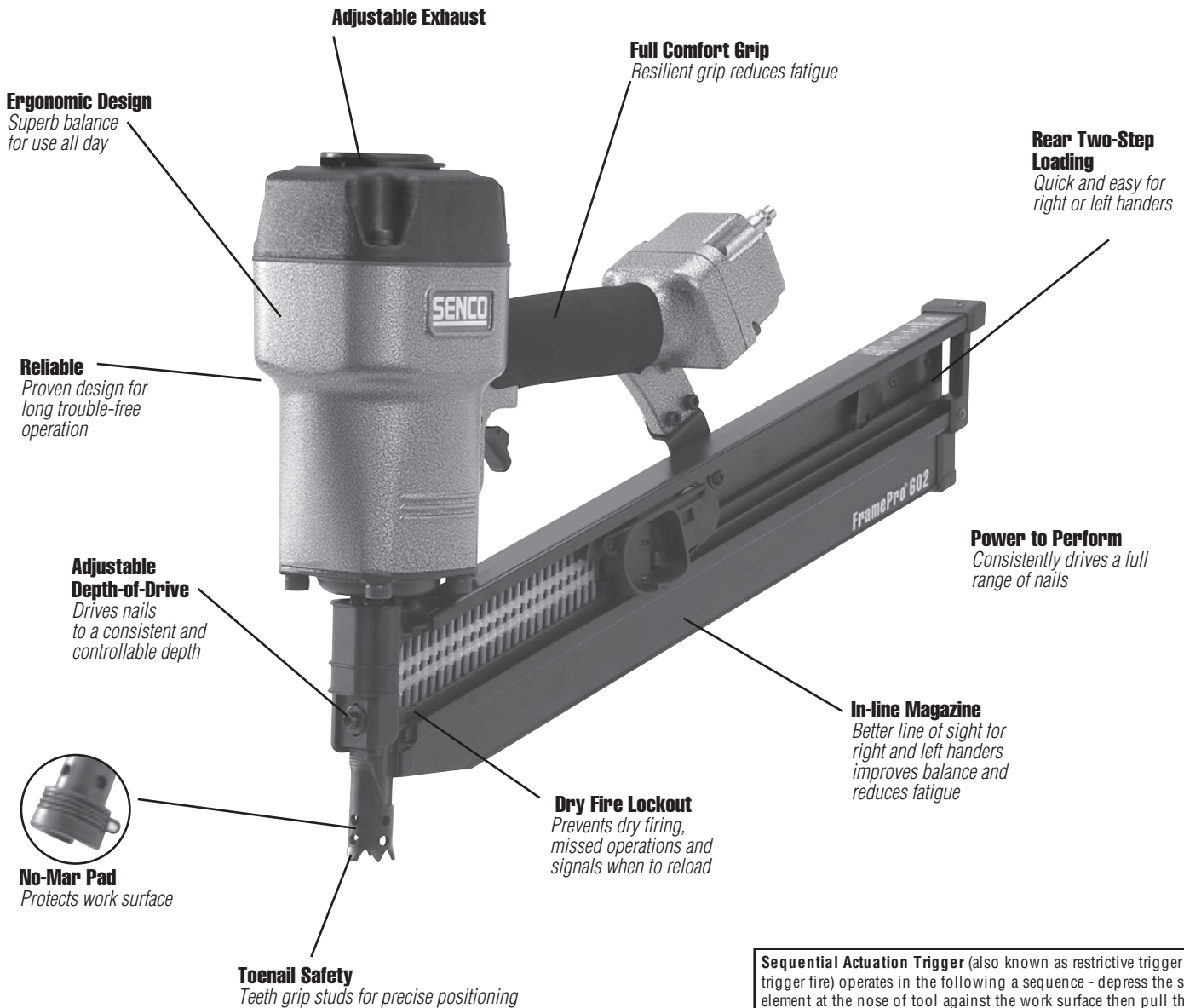
	FramePro 602	FramePro 652
Power:	869 in/lbs	992 in/lbs
Tool Weight:	8.1 lbs (3.7 kg)	8.6 lbs (3.8 kg)
Height:	13.2" (343 mm)	14.2" (370.8 mm)
Length:	20.1" (511 mm)	20.1" (511 mm)
Nail Capacity:	61	61
Reg. Operating Pressure:	70-120 psig	
Mode of Operation:	Available with either Dual Action or Restrictive Trigger activating mechanisms.	

Fastener Specifications:

FramePro 602 FRH nailer drives 2" – 3-1/2" smooth shank nails (Sencote® or plain) and 2"–3" ring shank nails. Shank diameters include .113, .120, .131 and .148.

FramePro 652 FRH nailer drives 2-1/4" – 3-1/2" smooth shank nails (Sencote® or plain) and 3" ring shank nails. Shank diameter includes .120, .131, .148 and .162 (common nails).





Ergonomic Design
Superb balance
for use all day

Adjustable Exhaust

Full Comfort Grip
Resilient grip reduces fatigue

Rear Two-Step Loading
Quick and easy for
right or left handers

Reliable
Proven design for
long trouble-free
operation

**Adjustable
Depth-of-Drive**
Drives nails
to a consistent and
controllable depth

Power to Perform
Consistently drives a full
range of nails

In-line Magazine
Better line of sight for
right and left handers
improves balance and
reduces fatigue



No-Mar Pad
Protects work surface

Dry Fire Lockout
Prevents dry firing,
missed operations and
signals when to reload

Toenail Safety
Teeth grip studs for precise positioning

**FramePro® 652 provides 15% more
power than the FramePro® 602**

For additional information on how Senco Power Fastening Systems will save you time, reduce costs, and increase quality, call our toll-free Action Line: 1-800-543-4596 to find your nearest Authorized Senco Dealer or Distributor. Visit our web site at: www.senco.com

Sequential Actuation Trigger (also known as restrictive trigger or trigger fire) operates in the following a sequence - depress the safety element at the nose of tool against the work surface then pull the trigger. After each fastener is driven, release the trigger and lift the tool off the work surface before starting the sequence again. This trigger is recommended and acceptable for most applications.

Contact Actuation Trigger (also known as dual action, bounce or bottom fire) operates in the following sequence- pull the trigger first and keep the trigger pulled while moving the tool along the work surface with a bouncing motion, depressing the safety element at the nose of the tool against the work surface where the fastener is to be driven. This trigger is recommended for use by trained professionals only in high production or volume applications.

Always read the Operators Manual and Safety Instructions with all tools to ensure proper use and safety precautions or log on to www.senco.com or call 1-800-543-4596 for more information on Senco's trigger systems. Choose the right trigger system for your specific needs!

Free Manuals Download Website

<http://myh66.com>

<http://usermanuals.us>

<http://www.somanuals.com>

<http://www.4manuals.cc>

<http://www.manual-lib.com>

<http://www.404manual.com>

<http://www.luxmanual.com>

<http://aubethermostatmanual.com>

Golf course search by state

<http://golfingnear.com>

Email search by domain

<http://emailbydomain.com>

Auto manuals search

<http://auto.somanuals.com>

TV manuals search

<http://tv.somanuals.com>