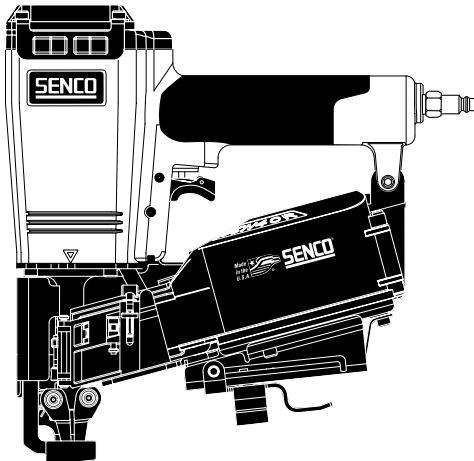


SCN40R Roofing Coil Nailer



The tough and dependable SCN40R straight-drive Roofing Coil Nailer eliminates tumbled nails. It's loaded with the features you asked for, yet is light enough for one-handed operation.

Applications:

For asphalt and fiberglass shingle nailing, for both new roofs and reroofing. Also for attaching waterproof tar paper, metal drip edges, insulation board, and, with a special attachment, vinyl and aluminum siding.

Features:

- Straight-drive nail alignment eliminates tumbled nails
- Weighs just 5.2 lbs. for easy one-handed operation
- Adjustable depth-of-drive for consistent and controllable nail set
- Adjustable shingle guide
- Wearplates and side housing ribs reduce shingle abrasion
- Adjustable nail canister accommodates entire range of true round-head roofing nails
- NeverLube™ design requires no lubrication
- One full year warranty
- Made in the U.S.A.



SCN40R Roofing Coil Nailer

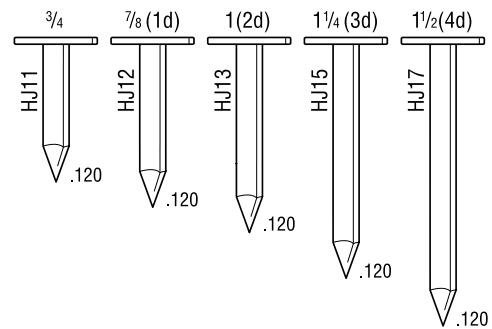
Tool Specifications:

Weight: 5.2 lbs. (2.3 kg)
 Height: 10³/₈" (264 mm)
 Length: 9³/₄" (248 mm)
 Nail Capacity: 120
 Collation: Conical wound, angled coil wire
 Operating Pressure: 70-120 psig (4.8-8.3 bar)
 Mode of Operation: Tool is available with either Restrictive Trigger or Dual Action activating mechanism.*
 Hose Fitting: 1/4" NPT

Fastener Specifications:

Lengths	Inches	3/4"	7/8"(1d)	1"(2d)	1 1/4"(3d)	1 1/2"(4d)
	Millimeters	19	22	25	32	38
Shank Diameter		.120	.120	.120	.120	.120
Part Number		HJ11	HJ12	HJ13	HJ15	HJ17

Available in both 3.2 and 7.2 carton count



For additional information on how Senco fastening systems will save you time, reduce costs, and increase quality, call your nearest Authorized Senco Dealer or Distributor listed in the Yellow Pages under "Staples," or call our toll-free Action Line: 1-800-543-4596.

* "Restrictive Trigger" activated tools are used for applications where precision nail or staple placement is desired. You must first depress the safety element where you want to drive a nail or staple and then pull the trigger. After each nail or staple is driven, completely release the trigger and lift the tool off the work surface.

"Dual Action" activated tools are used for applications where high-production work is desired. There are two modes of operation:

Bottom Fire Method: This method of operation is sometimes called bounce

firing. You must keep the trigger pulled while moving the tool along the work surface with a bouncing motion, depressing the safety element where you want to drive a nail or staple.

Trigger Fire Method: First depress the safety element where you want to drive a nail or staple and then pull the trigger.

For instructions on safe use of tools with either of these activating mechanisms, please refer to the Operating Instructions or Customer Satisfaction and Safety Reminder contained in your tool carton.

Free Manuals Download Website

<http://myh66.com>

<http://usermanuals.us>

<http://www.somanuals.com>

<http://www.4manuals.cc>

<http://www.manual-lib.com>

<http://www.404manual.com>

<http://www.luxmanual.com>

<http://aubethermostatmanual.com>

Golf course search by state

<http://golfingnear.com>

Email search by domain

<http://emailbydomain.com>

Auto manuals search

<http://auto.somanuals.com>

TV manuals search

<http://tv.somanuals.com>