

Versatile pneumatic nailer drives ring, screw, and smooth-shank nails for tough fastening jobs. The rugged and reliable SN70XP drives full 3½" nails into hard woods; 2¼" hardened steel nails into concrete with power to spare. Its tilted 30° magazine permits maximum maneuverability in tight work areas. It has an ergonomically designed handle for superior balance and operating comfort.

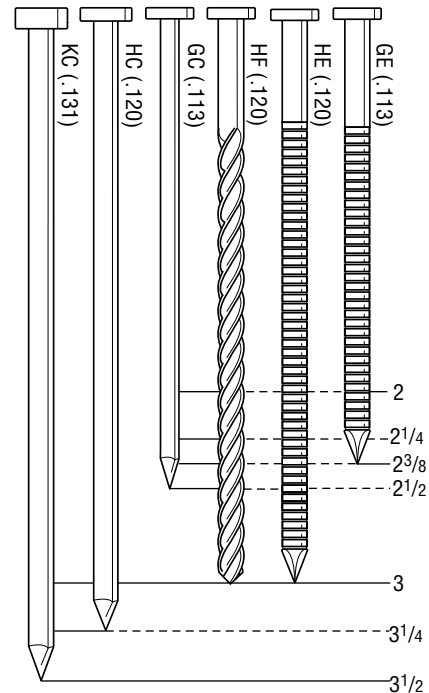


Tool Specifications:

SN70XP: 170301N - Sequential actuation
 SN70XP-TN: 170302N - Sequential actuation
 Tool Weight: 9.6 lbs. (3.6 kg)
 Height: 14 ½" (368 mm)
 Length: 15 ¾" (400 mm)
 Collation: 20° strip
 Operating Pressure: 70-120 p.s.i.g. (4.8-8.3 bar)
 Mode of Operation: Tool is available with either sequential or contact actuation trigger mechanism.
 Hose Fitting: 3/8" NPT

Fastener Specifications:

Drives .113 - .131, Smooth 2" - 3½", Ring 2" - 3",
 Screw 2½" - 3". Capacity 50 - 70



Applications:

Truss building, framing, sub-flooring, sheathing, decks. Drives hardened steel nails into wood-to-green concrete. Other applications include crate and box assembly, pallet making, furniture frame assembly, and cabinet work.

Features:

Paramount among the features of the SN70XP is the wide range of fasteners it drives. This tool, like all Senco tools, is designed for optimum performance with minimum maintenance. Snap-open tool nose permits quick and easy clearing of fastener jams.

Choose the right trigger system for your specific needs!

Sequential Actuation Trigger (also known as restrictive trigger or trigger fire) operates in the following sequence - depress the safety element at the nose of tool against the work surface then pull the trigger. After each fastener is driven, release the trigger and lift the tool off the work surface before starting the sequence again. This trigger is recommended and acceptable for most applications.

Contact Actuation Trigger (also known as dual action, bounce or bottom fire) operates in the following sequence- pull the trigger first and keep the trigger pulled while moving the tool along the work surface with a bouncing motion, depressing the safety element at the nose of the tool against the work surface where the fastener is to be driven. This trigger is recommended for use by trained professionals only in high production or volume applications.

Always read the Operators Manual and Safety Instructions with all tools to ensure proper use and safety precautions. For additional information on trigger systems and how Senco will save you time, reduce costs, and increase quality, call our toll-free Action Line: 800-543-4596 to find your nearest Authorized Senco Dealer, Distributor or visit our web site at: www.senco.com

ICBO APPROVES Senco 2 1/4" HARDENED STEEL NAIL for anchoring wood sill plates to concrete with Model SN70.

Research committee report No. 3538, issued March 1979, recommends: Senco 2 1/2" hardened steel nails for non-load-bearing interior plate anchorage driven with a maximum spacing of 20" into concrete having a minimum curing time of 7 days or compressive strength of 2000 psi. Wood sills must have 1 ½" thickness.

Free Manuals Download Website

<http://myh66.com>

<http://usermanuals.us>

<http://www.somanuals.com>

<http://www.4manuals.cc>

<http://www.manual-lib.com>

<http://www.404manual.com>

<http://www.luxmanual.com>

<http://aubethermostatmanual.com>

Golf course search by state

<http://golfingnear.com>

Email search by domain

<http://emailbydomain.com>

Auto manuals search

<http://auto.somanuals.com>

TV manuals search

<http://tv.somanuals.com>