



# FramePro<sup>®</sup> 651

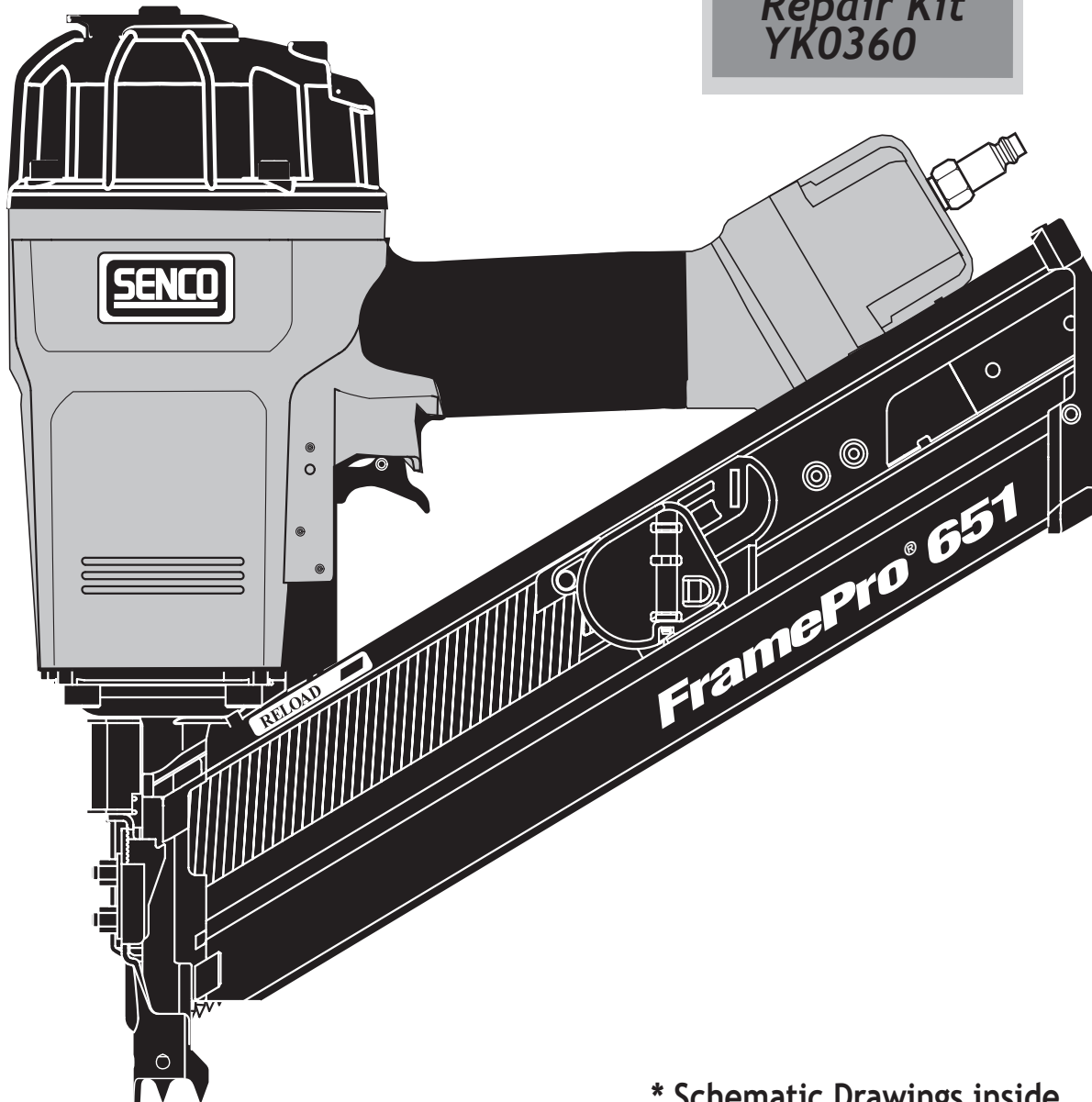
## Framing Nailer



### Parts Reference Guide



Repair Kit  
YK0360



\* Schematic Drawings inside

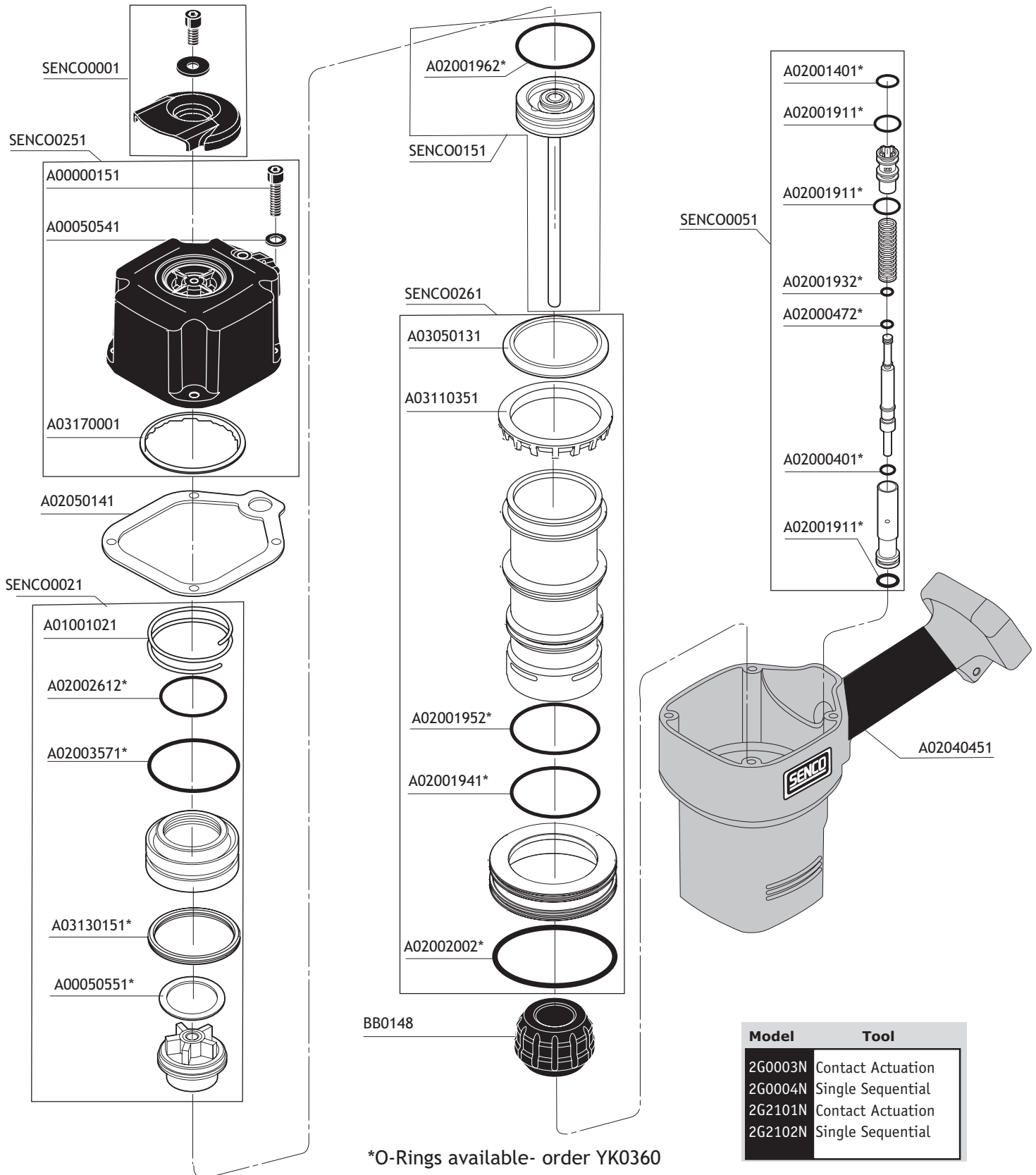
Senco Products, Inc.  
8485 Broadwell Rd.  
Cincinnati, Ohio 45244

Questions? Comments? call SENCO's toll-free Action-line:  
1-800-543-4596 (North & South America only)  
or e-mail: [toolprof@senco.com](mailto:toolprof@senco.com)

Visit our Website: [www.senco.com](http://www.senco.com)

NFG02G Revised November 21, 2003 (Replaces 8/27/02) © 2002, 2003 by SENCO Products, Inc. Cincinnati, Ohio 45244—U.S.A.

# FramePro® 651



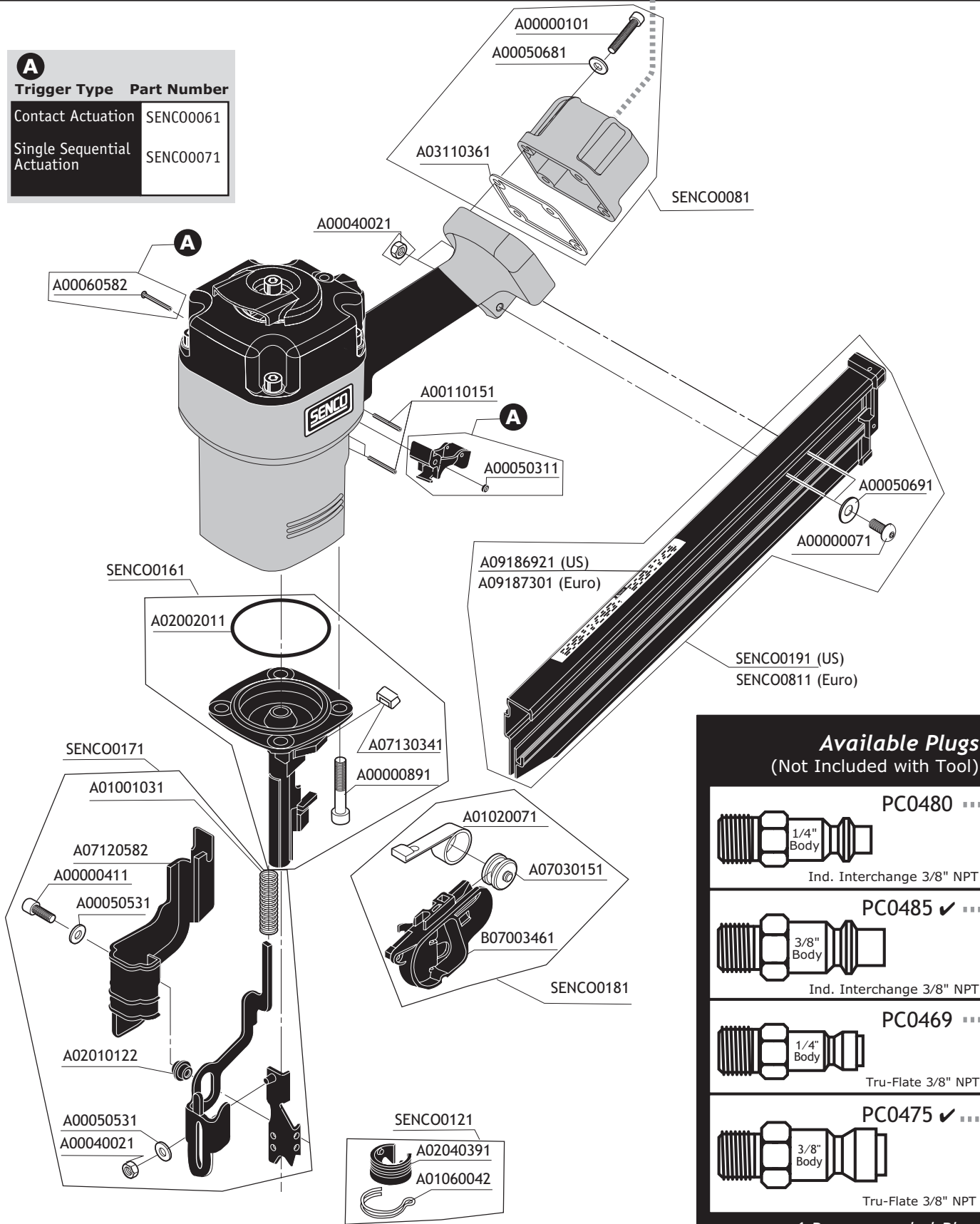
Model	Tool
2G0003N	Contact Actuation
2G0004N	Single Sequential
2G2101N	Contact Actuation
2G2102N	Single Sequential

\*O-Rings available- order YK0360

# FramePro® 651



<b>A</b>	
Trigger Type	Part Number
Contact Actuation	SENC00061
Single Sequential Actuation	SENC00071



**Available Plugs**  
(Not Included with Tool)

	<b>PC0480</b>
1/4" Body	Ind. Interchange 3/8" NPT
	<b>PC0485</b> ✓
3/8" Body	Ind. Interchange 3/8" NPT
	<b>PC0469</b>
1/4" Body	Tru-Flate 3/8" NPT
	<b>PC0475</b> ✓
3/8" Body	Tru-Flate 3/8" NPT

✓ **Recommended Plugs**  
Plugs shown smaller than actual size

NFG02G Revised November 21, 2003 (Replaces 8/27/02) © 2002, 2003 by Senco Products, Inc. Cincinnati, Ohio 45244—U.S.A.

# FramePro® 651 Framing Nailer

REPLACEMENT PARTS LIST • LISTA DE PARTES DE REPUESTO • ERSATZTEILE-LISTE • LISTE DE PIÈCES DE RECHANGE

PART NO.	DESCRIPTION	DESCRIPCIÓN	BESCHREIBUNG	DÉSIGNATION
A0000071	SCREW	TORNILLO	SCHRAUBE	VIS
A00000101	SCREW	TORNILLO	SCHRAUBE	VIS
A00000151	SCREW	TORNILLO	SCHRAUBE	VIS
A00000411	SCREW	TORNILLO	SCHRAUBE	VIS
A00000891	SCREW	TORNILLO	SCHRAUBE	VIS
A00040021	NUT	TUERCA	MUTTER	ÉCROU
A00050311	RETAINER, PIN	RETÉN	SICHERUNGSRING	RETENUE
A00050531	WASHER	ARANDELA	SCHEIBE	RONDELLE
A00050541	WASHER	ARANDELA	SCHEIBE	RONDELLE
A00050551	WASHER	ARANDELA	SCHEIBE	RONDELLE
A00050681	WASHER	ARANDELA	SCHEIBE	RONDELLE
A00050691	WASHER	ARANDELA	SCHEIBE	RONDELLE
A00060582	PIN, TRIGGER PIVOT	PASADOR	STIFT	GOUPILLE
A01001021	SPRING, FIRING VALVE	RESORTE	FEDER	RESSORT
A01001031	SPRING, SAFETY	RESORTE	FEDER	RESSORT
A01020071	SPRING, FEEDER	RESORTE	FEDER	RESSORT
A01060042	SPRING	RESORTE	FEDER	RESSORT
A00110151	PIN	PASADOR	STIFT	GOUPILLE
A02000401	SEAL	SELLO	DICHTUNG	JOINT
A02000472	SEAL	SELLO	DICHTUNG	JOINT
A02001401	SEAL	SELLO	DICHTUNG	JOINT
A02001911	SEAL	SELLO	DICHTUNG	JOINT
A02001932	SEAL	SELLO	DICHTUNG	JOINT
A02001941	SEAL	SELLO	DICHTUNG	JOINT
A02001952	SEAL	SELLO	DICHTUNG	JOINT
A02001962	SEAL	SELLO	DICHTUNG	JOINT
A02002002	SEAL	SELLO	DICHTUNG	JOINT
A02002011	SEAL	SELLO	DICHTUNG	JOINT
A02002612	SEAL	SELLO	DICHTUNG	JOINT
A02003571	SEAL	SELLO	DICHTUNG	JOINT
A02010122	BUSHING	CASQUILLO	HÜLSE	DOUILLE
A02040391	NO-MAR PAD	AMORTIGUADOR	SCHUTZ	COUSSIN
A02040451	GRIP	AGARRADERO	GRIF	GAINÉ EN CUIR
A02050141	SEAL	SELLO	DICHTUNG	JOINT
A03050131	RETAINER, SLEEVE	RETÉN	SICHERUNGSRING	RETENUE
A03110351	SEAL	SELLO	DICHTUNG	JOINT
A03110361	SEAL	SELLO	DICHTUNG	JOINT
A03130151	WASHER	ARANDELA	SCHEIBE	RONDELLE
A03170001	RETAINER	RETÉN	SICHERUNGSRING	RETENUE
A07030151	ROLLER, FEEDER SPRING	RODILLO	ROLLE	GALET
A07120582	COVER, SAFETY	CUBIERTA	ABDECKUNG	COUVERCLE
A07130341	STOP	TOPE	PUFFER	ARRÊT
A09187291	LABEL (US)	ETIQUETA	AUFKLEBER	ÉTIQUETTE
A09187301	LABEL (EURO)	ETIQUETA	AUFKLEBER	ÉTIQUETTE
B07003461	FEEDER SHOE	ALIMENTADOR	NAGELSCHIEBER	POUSSOIR
BB0148	STOP, PISTON	TOPE	PUFFER	ARRÊT
SENCO0001	DEFLECTOR ASSEMBLY	ASAMBLE DE DESVIADOR	ABWEISER-ZUSAMMENBAU	ENSEMBLE DÉFLECTEUR
SENCO0021	FIRING VALVE ASSEMBLY	ASAMBLE DE VÁLVULA	VENTIL-ZUSAMMENBAU	ENSEMBLE VALVE
SENCO0051	CORE ASSEMBLY	ASAMBLE DE VÁSTAGO	VENTILSTIFT-ZUSAMMENBAU	ENSEMBLE NOYAU
SENCO0061	TRIGGER ASSY, DUAL ACTION	ASAMBLE DE GATILLO	AUSLÖSER-ZUSAMMENBAU	ENSEMBLE GÂCHETTE
SENCO0071	TRIGGER ASSY, RESTRICTIVE	ASAMBLE DE GATILLO	AUSLÖSER-ZUSAMMENBAU	ENSEMBLE GÂCHETTE
SENCO0081	END CAP ASSEMBLY	ASAMBLE DE TAPA TERMINAL	ABSCHLUßKAPPE-ZUSAMMENBAU	BOUCHON D'EXTRÉMITÉ DE RAIL
SENCO0121	NO-MAR PAD ASSEMBLY	ASAMBLE DE AMORTIGUADOR	SCHUTZ-ZUSAMMENBAU	ENSEMBLE COUSSIN
SENCO0151	PISTON ASSEMBLY	ASAMBLE DE PISTON	KOLBEN-ZUSAMMENBAU	ENSEMBLE PISTON-COUTEAU
SENCO0161	GUIDE BODY ASSEMBLY	ASAMBLE DE PLACA DE NARIZ	NAGELFÜHRUNG-ZUSAMMENBAU	ENSEMBLE FRONT
SENCO0171	SAFETY ELEMENT ASSEMBLY	ASAMBLE DE SEGURO	SICHERHEITSVORRICHTUNG-ZUSAMMENBAU	ENSEMBLE PALPEUR DE SÉCURITÉ
SENCO0181	FEEDER SHOE ASSEMBLY	ASAMBLE DE ALIMENTADOR	NAGELSCHIEBER-ZUSAMMENBAU	ENSEMBLE POUSSOIR
SENCO0191	MAGAZINE (US)	CARGADOR	MAGAZIN	MAGASIN
SENCO0251	CAP ASSEMBLY	ASAMBLE DE TAPA	KAPPE-ZUSAMMENBAU	ENSEMBLE BOUCHON
SENCO0261	CYLINDER ASSEMBLY	ASAMBLE DE CILINDRO	ZYLINDER-ZUSAMMENBAU	ENSEMBLE CYLINDRE
SENCO0811	MAGAZINE (EURO)	CARGADOR	MAGAZIN	MAGASIN
YK0360	SEAL KIT	ASAMBLE DE SELLO	DICHTUNG-ZUSAMMENBAU	ENSEMBLE JOINT

Questions? Comments? call SENCO's toll-free Action-line: 1-800-543-4596 (North & South America only) or e-mail: [toolprof@senco.com](mailto:toolprof@senco.com)

## Free Manuals Download Website

<http://myh66.com>

<http://usermanuals.us>

<http://www.somanuals.com>

<http://www.4manuals.cc>

<http://www.manual-lib.com>

<http://www.404manual.com>

<http://www.luxmanual.com>

<http://aubethermostatmanual.com>

Golf course search by state

<http://golfingnear.com>

Email search by domain

<http://emailbydomain.com>

Auto manuals search

<http://auto.somanuals.com>

TV manuals search

<http://tv.somanuals.com>