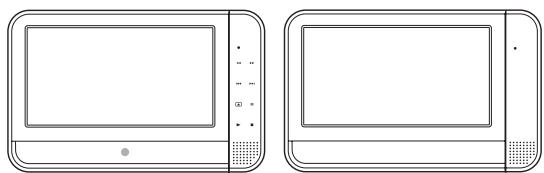


8" Dual Screen Mobile DVD System
DRC97983


AVC Multimedia

Markham, Ontario L3R 1E3

<http://www.RCAav.com>

Read these instructions before using your new product for the first time.

Safety Precautions

DO NOT EXPOSE THIS UNIT TO RAIN OR EXPOSURE
AVIS RISQUE DE CHOC ELECTRIQUE-NE PAS OUVRI

WARNING: TO REDUCE THE RISK OF ELECTRIC SHOCK, DO NOT REMOVE COVER (OR BACK). NO USER-SERVICEABLE PARTS INSIDE. REFER SERVICING TO QUALIFIED SERVICE PERSONNEL.

WARNING: TO PREVENT FIRE OR SHOCK HAZARD, DO NOT EXPOSE THIS APPLIANCE TO RAIN OR MOISTURE. DO NOT PLACE OBJECTS FILLED WITH LIQUIDS ON OR NEAR THIS UNIT.

CAUTION: USE OF CONTROLS OR ADJUSTMENTS OR PERFORMANCE OF PROCEDURES OTHER THAN THOSE SPECIFIED MAY RESULT IN HAZARDOUS RADIATION EXPOSURE.

CAUTION: DANGER OF EXPLOSION IF BATTERY IS INCORRECTLY REPLACED. REPLACE ONLY WITH THE SAME OR EQUIVALENT TYPE.

* SEE REAR OF UNIT FOR GRAPHIC SYMBOLS *



CAUTION
INVISIBLE LASER RADIATION
WHEN OPEN.
AVOID EXPOSURE TO BEAM.

This Class B digital apparatus complies with Canadian ICES-003.

On Placement

- Do not use the unit in places that are extremely hot, cold, dusty or humid.
- Place the unit on a flat and even surface.
- Do not restrict the air flow of the unit by placing it in a place with poor air flow, by covering it with a cloth, or by placing it on carpeting.
- To avoid magnetized, do not place the unit near speaker or magnet.
- Do not use this unit in direct sunlight or leave the unit in a closed automobile (or yacht, etc) where it would be exposed to high temperatures above 104°F (40°C).
- No naked flame sources such as lighted candles should be placed on the car power adaptor and main unit.
- The apparatus shall not be exposed to dripping or splashing and that no objects filled with liquids, such as vases, shall be placed on apparatus.

On Safety

- When connecting or disconnecting the car power adaptor, grip the plug and not the cord itself. Pulling the cord may damage it and create a hazard.
- When you are not going to use the unit for a long period of time, disconnect the car power adaptor.

On Condensation

- When left in a heated room where it is warm and damp, water droplets or condensation may form inside the unit. When there is condensation inside the unit, the unit may not function normally. Let the unit stand for 1 to 2 hours before turning the power on, or gradually heat the room and allow the unit to dry before use.

Ventilation Warning

- Do not block the ventilation openings or holes. (If the ventilation openings or holes are blocked by a newspaper or cloth, etc., the heat may not be able to get out.)
- Do not operate the unit in a confined space, such as a bookcase or built-in cabinet, allow about 4 inch (10cm) of free space all around the unit for adequate ventilation.

Rating Plate Location

- The rating plate is located on the rear of unit.

FCC Statements

NOTE: This equipment has been tested and found to comply with the limits for a Class B digital device, pursuant to Part 15 of the FCC Rules. These limits are designed to provide reasonable protection against harmful interference in a residential installation. This equipment generates, uses and can radiate radio frequency energy and, if not installed and used in accordance with the instructions, may cause harmful interference to radio communications. However, there is no guarantee that interference will not occur in a particular installation. If this equipment does cause harmful interference to radio or television reception, which can be determined by turning the equipment off and on, the user is encouraged to try to correct the interference by one or more of the following measures:

- Reorient or relocate the receiving antenna.
- Increase the separation between the equipment and receiver.
- Connect the equipment into an outlet on a circuit different from that to which the receiver is connected.
- Consult the dealer or an experienced radio/TV technician for help.

WARNING: Changes or modifications to this unit not expressly approved by the party responsible for compliance could void the user's authority to operate the equipment.

WARNING:

- Should any trouble occur, disconnect the car power adaptor and refer servicing to a qualified technician.
- The AC/DC adaptor is used as disconnect device.
- The AC/DC adaptor of apparatus should not be obstructed OR should be easily accessed during intended used.
- To be completely disconnect the power input, the AC/DC adaptor of apparatus shall be disconnected from the mains.

Notes on Copyright

It is forbidden by law to copy, broadcast, show, broadcast on cable, play in public, or rent copyrighted material without permission.

Apparatus Claims of U.S. Patent Nos. 6,836,549; 6,381,747; 7,050,698; 6,516,132 and 5,583,936 licensed for limited viewing uses only.

This product incorporates copyright protection technology that is protected by U.S. patents and other intellectual property rights. Use of this copyright protection technology must be authorized by Macrovision, and is intended for home and other limited viewing uses only unless otherwise authorized by Macrovision. Reverse engineering or disassembly is prohibited.

Important Safety Instructions

- Read these instructions.
- Keep these instructions.
- Heed all warnings.
- Follow all instructions.
- Do not use this apparatus near water.
- Clean only with a dry cloth.
- Do not block the ventilation openings. Install in accordance with the manufacturer's instructions.
- Do not install near any heat sources such as radiators, heat registers, stoves, or other apparatus (including amplifiers) that produce heat.
- Do not defeat the safety purpose of the polarized or grounding - type plug. A polarized plug has two blades with one wider than the other. A grounding type plug has two blades and a third grounding prong. The wide blade or the third prong are provided for your safety. If the provided plug does not fit into your outlet, consult an electrician for replacement of the obsolete outlet.
- Protect the power cord from being walked on or pinched particularly at plugs, convenience receptacles, and the point where they exit from the apparatus.
- Only use attachments/accessories specified by the manufacturer.
- Use only with a cart, stand, tripod, bracket, or table specified by the manufacturer, or with the apparatus. When a cart is used, use caution when moving the cart/apparatus combination to avoid injury from tip-over.
- Unplug this apparatus during lightning storms or when unused for long periods of time.
- Refer all servicing to qualified service personnel. Servicing is required when the apparatus has been damaged in any way, such as power-supply cord or plug is damaged, liquid has been spilled or objects have fallen into the apparatus, the apparatus has been exposed to rain or moisture, does not operate normally, or has been dropped.

Disc Formats

This unit can play


 DVDs
 [8cm/12cm disc]

 Audio CDs
 [8cm/12cm disc]

CD-R CD-RW
 Compatible

Region Management Information

Region Management Information: This unit is designed and manufactured to respond to the Region Management Information that is encoded on DVDs. If the region number printed on the DVD does not correspond to the region number of this unit, it cannot play that disc.

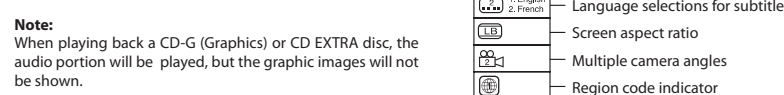
The region number of this unit is 1.

Disc Function or Operation that is Not Available

When the symbol appears on the screen, it indicates that the function or operation attempted is not available at that time. This occurs because the DVD manufacturer determines the specific functions of DVDs. Certain functions may not be available on some DVDs. Be sure to read the documentation provided with the DVD.

Icons Used on DVDs

Sample Icons


Title, Chapter and Tracks

DVDs are divided into "titles" and "chapters". If the disc has more than one movie on it, each movie would be a separate "title". "Chapters" are sections of titles.

- Audio CDs are divided into "tracks". A "track" is usually one song on an Audio CD.

NOTE: Numbers identify each title, chapter, and track on a disc. Most discs have these numbers recorded on them, but some do not.

Notes on Unauthorized Discs

You may not be able to play some DVDs on this unit, particularly if they were purchased from outside your geographic area or made for business purposes.

Sound System
Dolby Digital

Dolby Digital is a technology developed by Dolby Laboratories. Soundtracks encoded in Dolby Digital can reproduce from one to 5.1 discrete channels of excellent quality audio.

The unit automatically recognizes the Dolby Digital information and provides a downmix suitable for two-channel listening. An additional Dolby Digital decoder is required for reproduction of the discrete multi-channel soundtracks available on many DVDs.

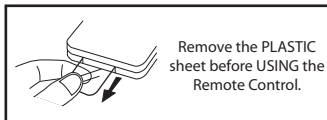
Manufactured under license from Dolby Laboratories.
 "Dolby" and the double-D symbol are trademarks of Dolby Laboratories.


Accessories
Please check and identify the supplied accessories.

- Remote Control (with battery).....x1
- Car Power Adaptor.....x1
- DC-AV Cable.....x1
- Mounting Strap.....x2

Remote Control
Using the Remote Control

- Point the remote control at the REMOTE SENSOR located on the unit.
- When there is a strong ambient light source, the performance of the infrared REMOTE SENSOR may be degraded, causing unreliable operation.


BATTERY REPLACEMENT

When the battery becomes weak, the operating distance of the remote control will be greatly reduced and you will need to replace the battery.

TO CHANGE REMOTE BATTERY

- Open the battery door.
- Insert one CR2025 (3V) size battery.


Notes:

- If the remote control is not going to be used for a long time, remove the battery to avoid damage caused by battery leakage corrosion.
- When discarding batteries, environmental problems must be considered and local rules or laws governing the disposal of these batteries must be strictly followed.

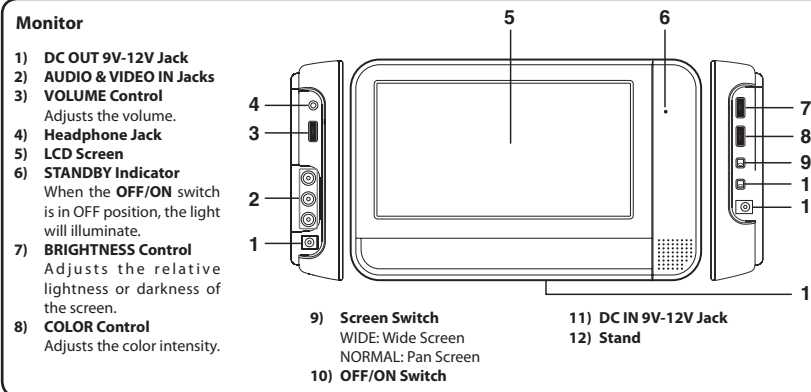
WARNING: Do not dispose of the battery in a fire or it may leak and/or explode.
WARNING: Batteries shall not be exposed to excessive heat such as sunshine, fire or the like.
CAUTION: Danger of explosion if battery is incorrectly replaced. Replace only with the same or equivalent type.

Control Reference Guide
Remote Control

- VIDEO MODE Button**
Adjusts Brightness, Contrast, Color or View Mode of the LCD screen.
- PREV Button**
Moves back through titles, chapters or tracks on a disc.
- SEARCH Buttons**
 - SEARCH: Fast reverse playback.
 - SEARCH: Fast forward playback.
- GOTO Button**
Skips directly to a location on a DVD or CD.
- Cursor (V, A, L, R) Buttons**
Moves between selections on a menu screen and adjust certain settings.
- ENTER Button**
Confirms selections on a menu screen.
- MEMORY Button**
In STOP mode, sets titles/chapters in a favorite order.
- Number (0-9) Buttons**
Use when creating programs and locating a title/chapter or specific time.
- REPEAT A-B Button**
Performs point-to-point repeat playback on a DVD or CD.
- REPEAT DISC Button**
Repeats a DVD chapter or title.
Repeats a CD track or the entire disc.
- SETUP Button**
In stop mode, it brings up the SETUP menu.
- MENU Button**
Enters and exits the main DVD menu.
- NEXT Button**
Moves forward through titles, chapters or tracks on a disc.
- STOP Button**
Stops playing a disc.
- PLAY Button**
Starts or resumes playback of a disc.
- PAUSE Button**
Pauses playback of a disc.
- DISPLAY Button**
Shows status information on the screen.
- ANGLE Button**
Switches between multiple camera angles when the DVD you are playing has been programmed with multiple camera angles.
- AUDIO Button**
Selects one of the audio sound tracks on a DVD (if more than one is available) or select the audio output mode on an CD.
- SUBTITLE Button**
Selects one of the subtitle languages programmed on a DVD (if available).
- RETURN Button**
Returns to normal operation after using the SETUP menu of a DVD.

DVD Player

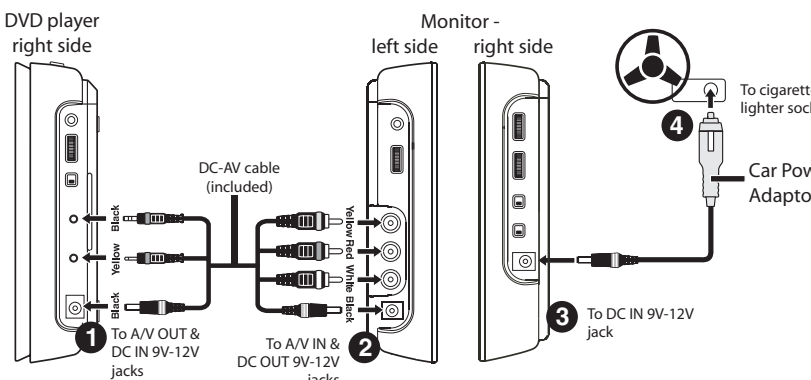
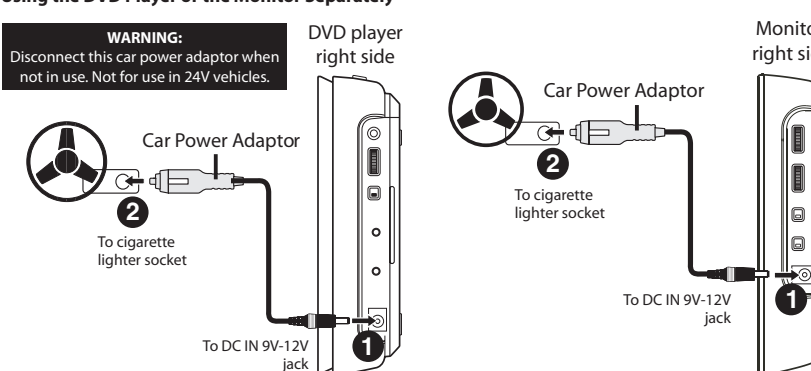
- OPEN Button**
Press the OPEN button and hold the front panel to unfold it, and press the DVD door switch on the mid cabinet to open the disc door.
- STANDBY Indicator**
When the STANDBY / ON switch is slid to OFF position, the light will illuminate.
- Headphone Jack**
- VOLUME Control**
Adjusts the volume.
- STANDBY / ON Switch**
- AUDIO & VIDEO OUT Jacks**
- DC IN 9V-12V Jack**
- SEARCH Button**
Performs fast reverse playback.
- SEARCH Button**
Performs fast forward playback.
- PREV Button**
Goes back to current or previous chapters/tracks.
- NEXT Button**
Advances chapters/titles/tracks.
- Button**
Flips the screen image.
- PAUSE Button**
Pauses playback and frame advance.
- PLAY Button**
Starts or resumes playback of a disc.
- STOP Button**
Stops playing a disc.
- LCD Screen**
- Remote Sensor**
Receives the remote control signal.


Power Supply

The included 12V car power adaptor is designed for use with vehicles that have a 12V, negative ground electrical system.

Using the DVD Player and the Monitor Together

IMPORTANT
 This car adaptor is for use with 12 volt batteries only.


Using the DVD Player or the Monitor Separately


Warnings:

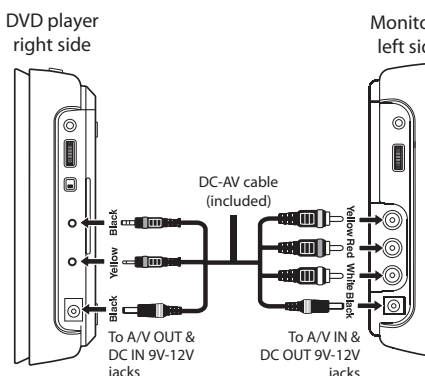
- Use this unit only with the included 12V car power adaptor. Use with other car adaptors could damage the unit, or even your vehicle.
- The included 12V car power adaptor is for use with this unit only. Do not use it with any other equipment.
- In the interest of traffic safety, drivers should not operate the unit or view videos while driving.
- When the inside of the 12V power outlet is dirty with ashes or dust, the plug section may become hot due to poor contact. Be sure to clean the 12V power outlet before use.
- After use, disconnect the 12V car power adaptor from both the unit and 12V power outlet.
- If the unit is not properly attached to a vehicle, it may become airborne in the event of an accident and cause damage, injury, or death.
- Check your local traffic laws for rules governing the use of video devices in vehicles.

Connections
A. Watching a DVD on the DVD Player and the Monitor

You can watch the same DVD on the DVD player and the monitor.

Watching a DVD on the DVD Player and the Monitor

- Connect the DVD player and the monitor using the included DC-AV Cable.
- Turn on the DVD player and the monitor.
- Play a DVD on the DVD player; the monitor will play the same DVD at the same time.


B. Connecting a TV (for the DVD Player Only)

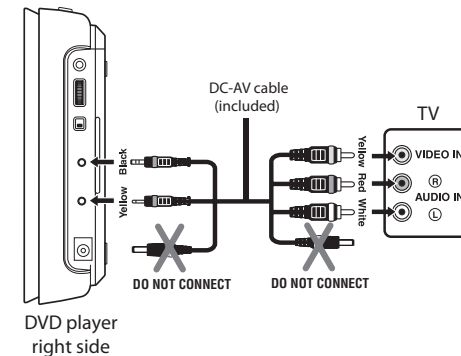
If your TV has Audio/Video inputs, you can connect the DVD player to your TV using the included DC-AV cable.

Watching a DVD on Your TV

- Connect your TV to the DVD player using the included DC-AV cable.
- Turn on the TV and follow the instructions included with it to play the DVD.

Notes:

- Make sure to use the correct DC-AV cable. Connecting the plugs incorrectly may cause a weak signal.
- If your TV does not have Audio/Video inputs, you will need to purchase an RF modulator (sold separately) and follow the instructions included with it to connect the unit to your TV.


C. Connecting a Stereo Receiver or Amplifier (for the DVD Player Only)

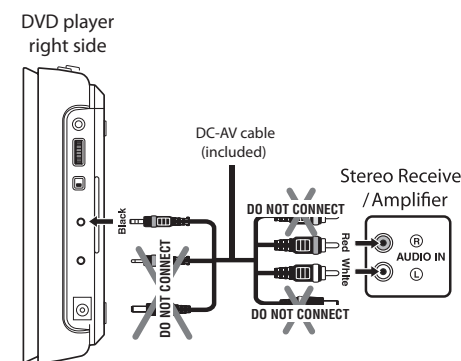
The DVD player can output stereo and down-mixed two channel Dolby Digital audio.

Listening on External Audio Equipment

- Connect the DVD player to the left/right Audio In jacks on the other equipment using the included DC-AV cable.
- Turn on your audio equipment and follow the instructions provided with it to select the AUDIO IN function.

Notes:

- Make sure to use the correct DC-AV cable. Connecting the plugs incorrectly may cause a weak signal.
- If you have a stereo VCR, make sure you set it to stereo mode.
- Due to copyright protection, DVD movies cannot be copied. If you copy a DVD movie onto a videotape, the resulting copy will be unclear, with poor sound quality. This is NOT caused by a defective DVD system.


D. Connecting Game Systems/Video Equipment (for the Monitor Only)

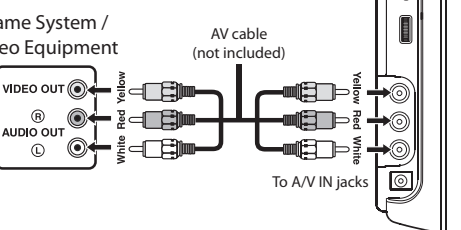
You can connect game systems or other video equipment for playback using the monitor.

Watching Video Equipment

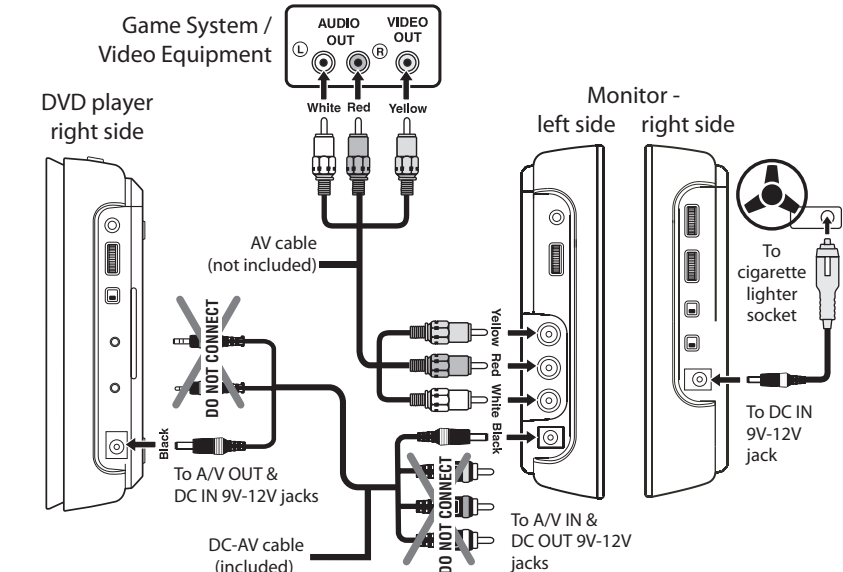
- Connect the other equipment to the monitor using a standard AV Cable (not included).
- Turn on the monitor.
- Turn on the video equipment and follow the instructions provided with it to playback.

Notes:

- Make sure to use the correct Audio/Video cable. Connecting the plugs incorrectly may cause a weak signal.
- If you have a mono VCR, the volume level from the speakers will be low.


E. Using the Monitor with Other Equipment while Playing DVD on the DVD Player

You can use a game console or other video equipment on the monitor while viewing a DVD on the DVD player.


Watching Video Equipment on the Monitor while Viewing a DVD on the DVD Player

- Connect the power connector between the DVD player and the monitor. Do not connect the Audio/Video portion of the DC-AV cable.
- Connect the monitor to the other equipment using a standard AV cable (not included).
- Turn on the DVD player, the monitor and the other equipment.
- Play a DVD on the DVD player.
- Use the monitor for the other equipment.

Notes:

- Make sure to use the correct Audio/Video cable. Connecting the plugs incorrectly may cause a weak signal.
- If you have a mono VCR, the volume level from the speakers will be low.

Free Manuals Download Website

<http://myh66.com>

<http://usermanuals.us>

<http://www.somanuals.com>

<http://www.4manuals.cc>

<http://www.manual-lib.com>

<http://www.404manual.com>

<http://www.luxmanual.com>

<http://aubethermostatmanual.com>

Golf course search by state

<http://golfingnear.com>

Email search by domain

<http://emailbydomain.com>

Auto manuals search

<http://auto.somanuals.com>

TV manuals search

<http://tv.somanuals.com>