

3-5818
Portable Radio & Cassette Player



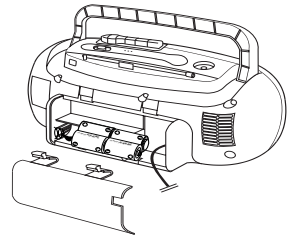
Before you Begin

Powering Up

This unit operates on battery or AC power.

Battery Power

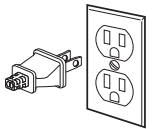
Insert 4 C-sized alkaline batteries (not supplied) and you can take your stereo just about anywhere. Open the battery compartment door on the back of the unit by pressing down on the two tabs and pulling out the cover. Insert batteries as shown in the battery compartment. Note that the AC line cord must be unplugged from the AC power outlet to operate on batteries. You can wind the line cord and store it into the built-in cord cabinet.



IMPORTANT: Be sure to remove batteries when storing the set for more than 30 days. Leaky batteries can badly damage the stereo. Always return tape operation buttons to their off position before storing. This will relieve pressure on certain parts in the tape recorder that might deform after long periods of time. Dispose of leaky, dead or weak batteries properly.

AC Power

Plug the power supply cord into an AC power outlet that accepts the polarized plug (one blade wider than the other).



Antennas

The AM antenna is built in, so adjusting the position of the unit may help AM reception. The FM whip antenna on the back of the unit can be extended and rotated for better FM reception.

Headphones

To listen to your stereo with headphones (not included), use the 1/8-inch PHONE jack on the top of the unit.

Have a Blast—Just Not on Your Eardrums

Make sure that you turn down the stereo before you put on the headphones; then increase the volume to the desired level after they are in place.



Safety Precautions

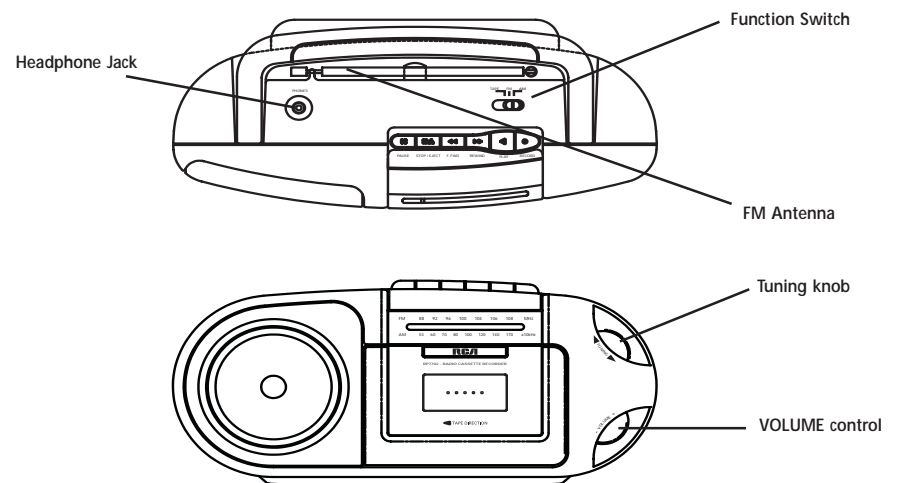
Important Battery Information

- When storing the unit or unplugging it from the AC outlet for a day or more, be sure to remove the battery because it may leak and damage the unit.
- Batteries may leak electrolyte if inserted incorrectly, if disposed of in fire, or if an attempt is made to charge a battery not intended to be recharged.
- Discard leaky batteries immediately. Leaking batteries may cause skin burns or other personal injury.
- Dispose of batteries, according to federal, state and local regulations.

Headset Safety

- **Do not play your headset at a high volume.** Hearing experts advise against continuous extended play.
- If you experience a ringing in your ears, reduce volume or discontinue use.
- You should use extreme caution or temporarily discontinue use in potentially hazardous situations.
- Even if your headset is an open-air type designed to let you hear outside sounds, don't turn up the volume so high that you can't hear what's around you.

General Controls



Headphone Jack - plug a set of headphones (not included) into this jack for private listening.

Function Switch - Move the function switch to select which part of the portable stereo you want to use; TAPE, FM or AM.

VOLUME - Adjust the volume control knob to increase or decrease volume to the desired level.

FM Antenna - When listening to FM radio broadcast, extend this antenna for clearer reception.

Tuning knob - Adjust this knob for tuning to the desired radio station.

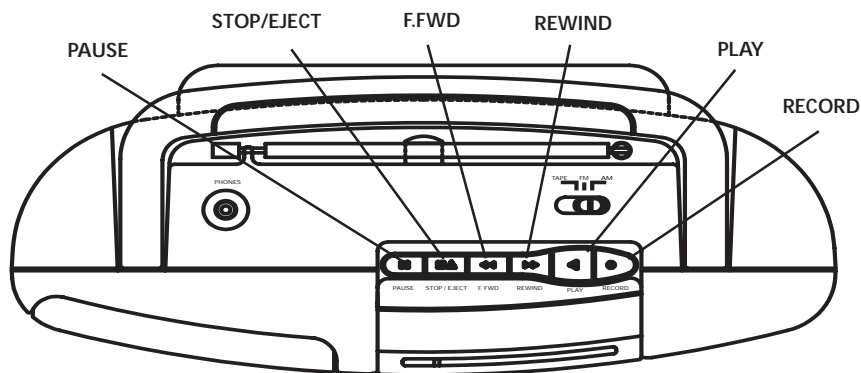
Using the Radio

Tuning in Radio Stations

Move the FUNCTION switch to **AM** or **FM** for turning ON the radio.

- Tune to the desired station by adjusting the tuning knob.
- To turn off the radio, move the Function switch to **TAPE**.

Using the Tape Player



If you know what each button does, it's easy to figure out how to operate the tape deck.

RECORD — Press to record from the radio.

PLAY — Press to play the loaded cassette tape.

REWIND — From stop mode, press to rewind the tape toward the beginning.

F. FWD — From stop mode, press to advance the tape toward the end.

STOP/EJECT — Press to stop current tape activity, or to open the cassette compartment door when no buttons are active.

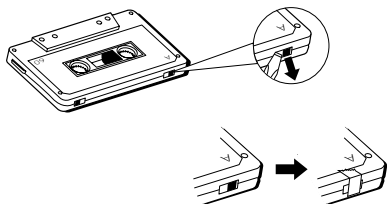
PAUSE — Press to interrupt tape play or record mode. Press a second time to resume tape play or tape record mode.

Playing a Cassette Tape

1. Move the function switch to **TAPE**.
2. Press **STOP/EJECT** to open the cassette compartment door.
3. Insert cassette tape into the compartment with the open edge facing up and the full reel on the right.
4. Close the door securely.
5. Press **REWIND** or **F. FWD** to move tape to the desired starting point.
6. Press **PLAY** to begin playing the tape. The cassette tape plays until it reaches the end of the side, then unit automatically stops.

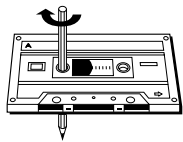
Erase Protection

When you record new material, the cassette deck records over whatever is on a tape. To protect a tape from accidental erasure, break off one or both plastic tabs (one for each tape side) on the top of the cassette tape. If you decide later to record on the tape, seal the hole with a piece of cellophane tape.



Quit Slacking

A little bit of slack in your tapes can cause scratches on the tape, or worse yet, the tape could break. If you notice some slack in the tape, use a pencil to tighten it up before you insert it.



Recording from the Radio

1. Insert a cassette tape into the tape deck and close door.
2. Move the Function switch to the desired band: **AM** or **FM**.
3. Tune to the desired radio station by adjusting the Tuning knob.
4. Press **RECORD** to begin recording. Both the RECORD and PLAY buttons are now depressed.
5. To stop recording, press **STOP/EJECT**.
6. To turn off radio, slide Function Switch to **TAPE**.

Pause for a Moment

Use **PAUSE** on the cassette deck instead of **STOP** to momentarily interrupt recording gives a much cleaner sounding recording!

Care and Maintenance

Tape Care

- Don't expose tapes to sunlight or store in hot places. High temperatures may warp the shell or damage the tape itself.
- Keep cassettes in their boxes when not in use.
- Cassette tapes can be erased by magnetic fields produced by magnets, electric motors, electrical transformers, and other devices. Keep tapes away from magnets and magnetic fields.

Care and Maintenance (continued)

Cleaning the Tape Heads

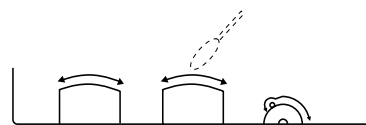
Iron oxide particles from the magnetic tape can build up on the parts that come in contact with the tape. These deposits can cause incomplete erasure, muffled playback sound, and might prevent automatic stop.

To clean a cassette tape deck, open the compartment door, press **PLAY** and gently clean the heads, capstan, and pinch wheel with a liquid head cleaner.

Always unplug the power cord before cleaning, and allow 30 minutes drying time when using a liquid cleaner.

Clean heads after every 25 hours of use.

- Demagnetize the head occasionally with a head demagnetizing cassette (available from many audio equipment stores).
- Never use any metal objects on or near the tape heads. Do not allow any cleaning material to fall into the tape assembly.



Troubleshooting Tips

Problem	Solution
Unit doesn't turn on	<ul style="list-style-type: none"> • Make sure power cord is securely plugged into the AC power outlet (or that the batteries are fresh). • Unplug the unit for a moment, and then plug it back in. • Check the outlet by plugging in another device.
No sound	<ul style="list-style-type: none"> • Adjust volume setting. • Make sure you've selected the correct function: TAPE or RADIO (AM/FM).
Poor radio reception	<ul style="list-style-type: none"> • Adjust the FM whip antenna for better FM reception. • Rotate the unit to achieve better AM reception. • Try turning off electrical appliances near the unit, such as hair dryers, vacuum cleaners, or fluorescent lights.
Distorted or noisy recordings	<ul style="list-style-type: none"> • Inspect the recording head and clean it if necessary. • Demagnetize recording head (as explained in the "Care and Maintenance").

Free Manuals Download Website

<http://myh66.com>

<http://usermanuals.us>

<http://www.somanuals.com>

<http://www.4manuals.cc>

<http://www.manual-lib.com>

<http://www.404manual.com>

<http://www.luxmanual.com>

<http://aubethermostatmanual.com>

Golf course search by state

<http://golfingnear.com>

Email search by domain

<http://emailbydomain.com>

Auto manuals search

<http://auto.somanuals.com>

TV manuals search

<http://tv.somanuals.com>