



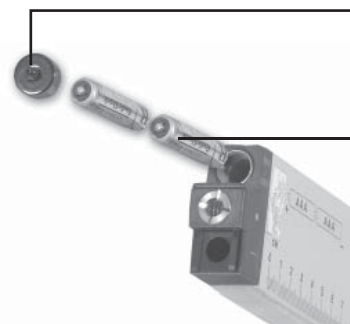
63-1058

laser level

Your RadioShack Laser Level is a high quality laser level incorporating advanced laser optics and microelectronics. The machined aluminum body of the laser level is equipped with two high quality bubbles, one horizontal and one vertical. Every laser level must pass a critical vibration test before leaving the factory. This test assures the accuracy of the laser within 0.2 inches (5.08mm) at a distance of 30 feet (9.1m).

installing batteries

Your laser level requires two AAA batteries (not supplied). Batteries are available at your local RadioShack store or online at www.radioshack.com.



1. Remove the battery cover by turning counter-clockwise. Replace when finished.
2. Arrange the batteries in the compartment as indicated by the polarity symbols (+ and -) on the laser level body.

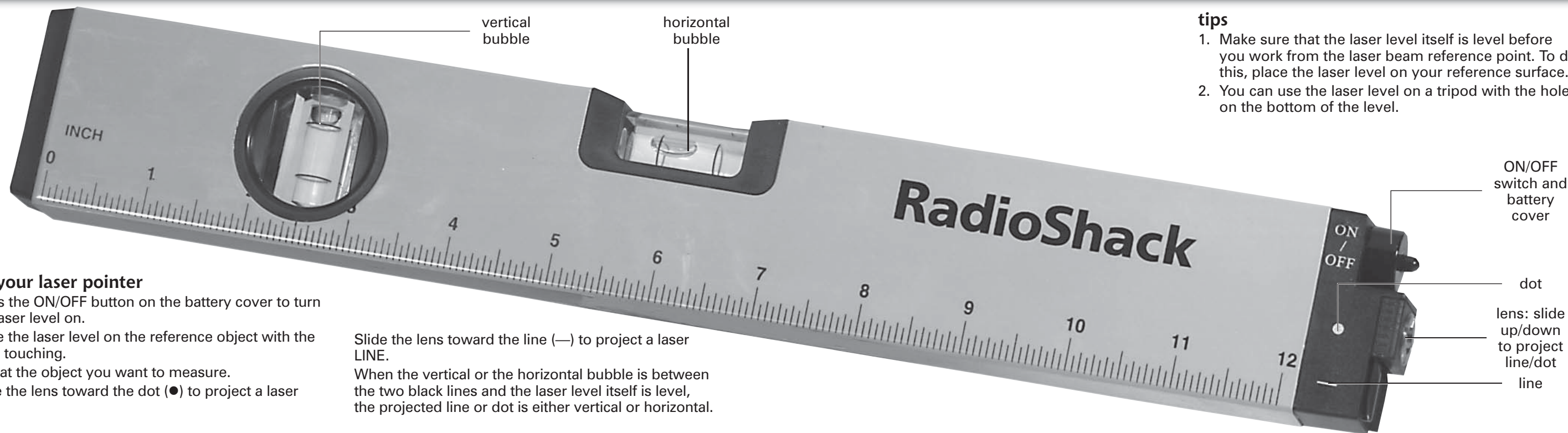
battery notes

- When the laser beam dims, or stops operating properly, replace the batteries.
- Dispose of old batteries promptly and properly. Do not burn or bury them.
- Use only fresh batteries of the required size and recommended type. Do not mix batteries of different types, capacities, or chemistries.
- If you do not use your laser pointer for several days, remove the batteries. Batteries can leak chemicals that may destroy electronic parts.

caring for your laser level

- Keep the laser level dry. If it gets wet, wipe it dry immediately.
- Use and store the laser level only in normal temperature environments. Handle the laser level away from dust and dirt, and wipe it with a damp cloth occasionally to keep it looking new.
- Modifying or tampering with the laser level's internal components can cause a malfunction and might invalidate its warranty.
- If your laser level is not performing as it should, take it to your local RadioShack store for assistance.

using your laser level



tips

1. Make sure that the laser level itself is level before you work from the laser beam reference point. To do this, place the laser level on your reference surface.
2. You can use the laser level on a tripod with the hole on the bottom of the level.

using your laser pointer

1. Press the ON/OFF button on the battery cover to turn the laser level on.
2. Place the laser level on the reference object with the base touching.
3. Aim at the object you want to measure.
4. Slide the lens toward the dot (●) to project a laser DOT.

Slide the lens toward the line (—) to project a laser LINE.
When the vertical or the horizontal bubble is between the two black lines and the laser level itself is level, the projected line or dot is either vertical or horizontal.

Thank you for purchasing your laser level from RadioShack.

what's included

Laser Level
User's Guide

limited one-year warranty

This product is warranted by RadioShack against manufacturing defects in material and workmanship under normal use for one (1) year from the date of purchase from RadioShack company-owned stores and authorized RadioShack franchisees and dealers. For complete warranty details and exclusions, check with your local RadioShack store.

RadioShack Customer Relations
200 Taylor Street, 6th Floor, Fort Worth, TX 76102
04/04

NOTE

Actual product may vary from the images found in this document.

about your laser level

important safety precautions

- **Warning!** Never point the laser at anyone.
- **Warning!** Follow the instructions on the danger label.
- **Warning!** Never look directly into the laser beam.
- **Warning!** Keep laser pointer away from children.
- **Warning!** Use of controls or adjustments, or the performance of procedures other than specified herein, can result in hazardous radiation exposure.
- **Warning!** Laser light, when reflected by a mirror-like surface, can also be dangerous.

product specifications

Laser Type IndexGuided
Wavelength 650±10nm (Class IIIA Product)
Output Power <5mW
Operation Range >600 feet
Battery Life 25 hrs (alkaline)
Beam type Dot or Horizontal
Material Aluminum
Specifications are subject to change and improvement without notice. Individual units may vary.



AVOID EXPOSURE
LASER RADIATION IS
EMITTED FROM THIS APERTURE



Complies with FDA radiation performance standards, 21 CFR Subchapter J.

RadioShack®

Cat.No. 63-1058

Custom Manufactured in China for
RadioShack Corporation,
Fort Worth, TX 76102
Manufactured: August 2004

Free Manuals Download Website

<http://myh66.com>

<http://usermanuals.us>

<http://www.somanuals.com>

<http://www.4manuals.cc>

<http://www.manual-lib.com>

<http://www.404manual.com>

<http://www.luxmanual.com>

<http://aubethermostatmanual.com>

Golf course search by state

<http://golfingnear.com>

Email search by domain

<http://emailbydomain.com>

Auto manuals search

<http://auto.somanuals.com>

TV manuals search

<http://tv.somanuals.com>