



60-2810

Letters, Numbers, and Shapes Buggy

This interactive toy will help your child identify letters, numbers, and shapes while helping to promote mobility and coordination.



Thank you for purchasing your Letters, Number, and Shapes Buggy from RadioShack.

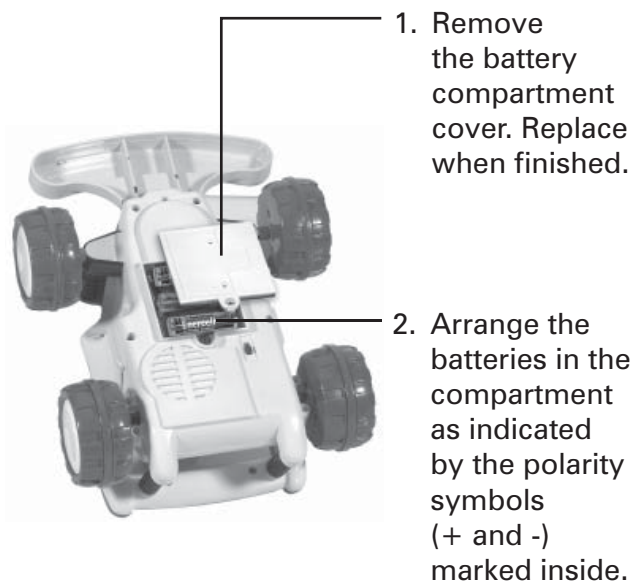
what's included

Letters, Numbers, and Shapes Buggy
User's Guide



installing batteries

Your Letters, Numbers, and Shapes Buggy requires three AA batteries (not supplied). Batteries are available at your local RadioShack store or online at www.radioshack.com.



1. Remove the battery compartment cover. Replace when finished.
2. Arrange the batteries in the compartment as indicated by the polarity symbols (+ and -) marked inside.

battery precautions

- Batteries purchased for use in this toy may pose a hazard to children, please check safety notice supplied with batteries before use.
- Batteries to be installed by adults only.
- Dispose of old batteries promptly and properly.
- Do not burn or bury batteries.
- Use only fresh batteries of the required size and recommended type.
- Do not mix batteries of different sizes or chemistries.
- If you do not plan to use your Buggy for a week or more, remove the batteries. Batteries can leak chemicals that can damage electronic parts.

limited ninety-day warranty

This product is warranted by RadioShack against manufacturing defects in material and workmanship under normal use for ninety (90) days from the date of purchase from RadioShack company-owned stores and authorized RadioShack franchisees and dealers. For complete warranty details and exclusions, check with your local RadioShack store.

RadioShack Customer Relations
200 Taylor Street, 6th Floor, Fort Worth, TX 76102
04/04

caring for your buggy

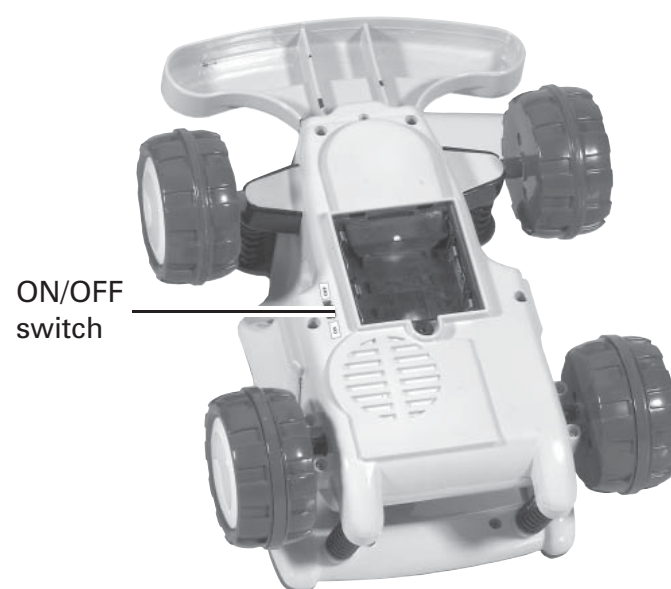
- Keep your buggy dry; if it gets wet, wipe it dry immediately. Use and store your buggy only in room temperature environments. Handle your buggy carefully; do not drop it. Keep your buggy away from dust and dirt, and wipe it with a damp cloth occasionally to keep it looking new.
- When the sound becomes weak or distorted, the display dims, or the buggy stops operating properly, replace the batteries. If the buggy continues to operate improperly, consult your local RadioShack store.

turning your buggy on

- Turn your buggy on by sliding the ON/OFF switch on the bottom of the buggy to ON.
- The buggy will make a series of sounds while the LED displays different shapes.



If the buggy remains inactive for two minutes or more, it will enter energy save mode. Press any key to wake it up.



playing with your buggy

push the buggy

Push the buggy to hear engine, horn, and brake sounds and see different shapes on the LED display the buggy stops.

learn the alphabet

Press the steering wheel to hear and read the alphabet.

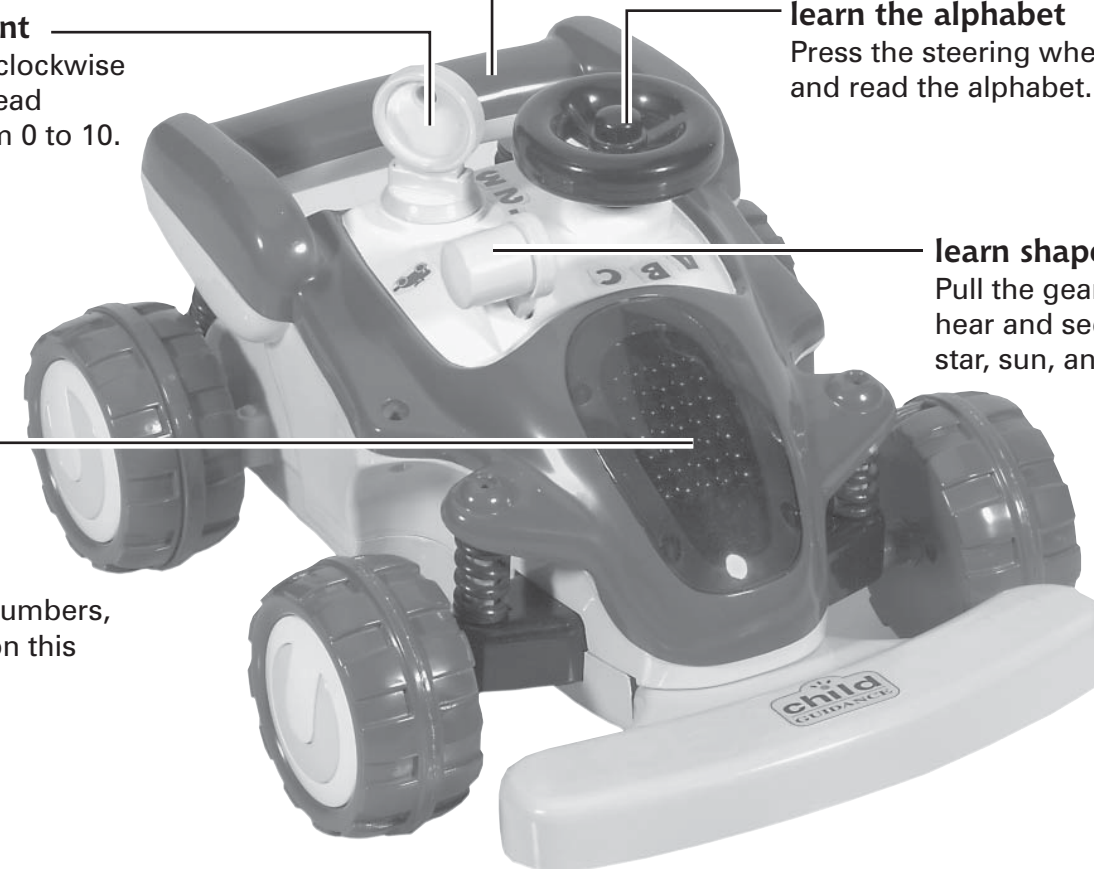
learn shapes

Pull the gear lever to hear and see a moon, star, sun, and smile.

learn to count

Turn the key clockwise to hear and read numbers from 0 to 10.

See letters, numbers, and shapes on this LED display.



Free Manuals Download Website

<http://myh66.com>

<http://usermanuals.us>

<http://www.somanuals.com>

<http://www.4manuals.cc>

<http://www.manual-lib.com>

<http://www.404manual.com>

<http://www.luxmanual.com>

<http://aubethermostatmanual.com>

Golf course search by state

<http://golfingnear.com>

Email search by domain

<http://emailbydomain.com>

Auto manuals search

<http://auto.somanuals.com>

TV manuals search

<http://tv.somanuals.com>