

**R** RadioShack

## Ford F-150

60-4356

### What's Included

Ford F-150 Owner's Manual  
AA Battery Adapter Transmitter

### Step One

#### Installing Batteries

##### You will need...

One 9V battery for the transmitter  
Six AA batteries or one 9.6V battery pack for the Ford F-150

##### Put Batteries in the Ford F150

- Turn the vehicle off.
- Open the battery compartment cover.
- Insert six AA batteries in the supplied battery adapter, and match the polarity symbols (+ and -) as marked inside.

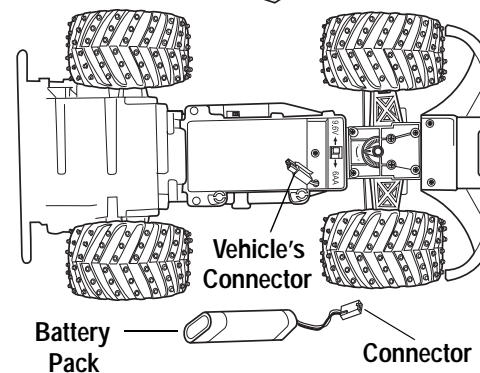
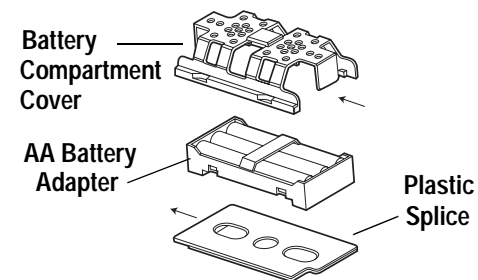
##### Or

- Place the 9.6V battery pack in the battery compartment cover and slide the plastic splice over the cover to hold the battery pack in place.
- Match the battery pack's connector to the vehicle's connector and place them in the space inside the compartment. Do not force them together. They fit one way only.
- Replace the cover and secure it.

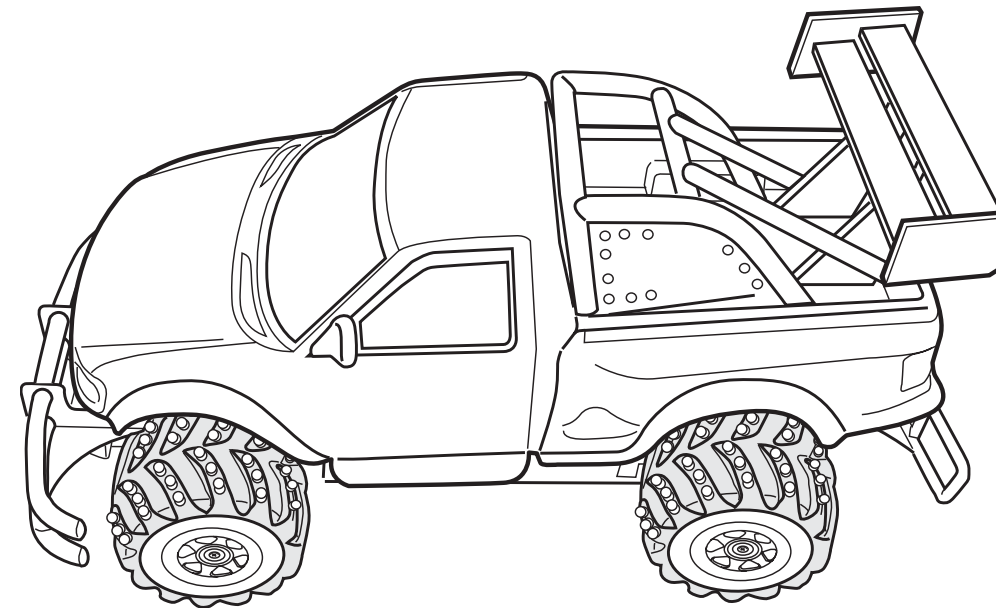
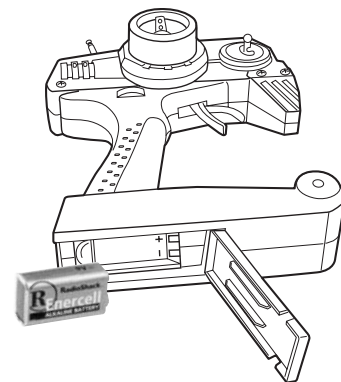
**Note:** Using alkaline batteries slightly decreases your racer's speed.

##### Put Battery in the Transmitter

- Turn the transmitter off.
- Open the battery compartment cover.
- Insert one 9V battery in the battery compartment, and match the polarity symbols (+ and -) as marked inside.
- Replace the cover and snap it on.



**Note:** If you use AA batteries, slide the 9.6V/6AA switch inside the battery compartment to 6AA. If you use the battery pack, slide the switch to 9.6V.

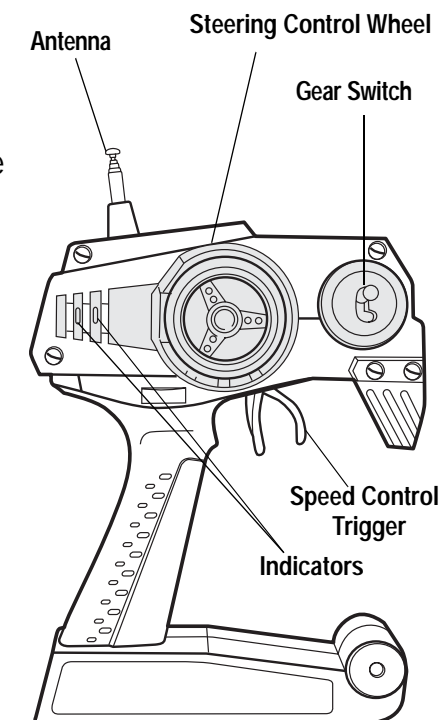


### Step Two

#### Driving the Ford F-150

- Extend the transmitter's antenna to its full length.
- Turn the transmitter and Ford F-150 on. The headlights turn on.
- Pull the speed control trigger towards the handle to move forward. Pull all the way back for turbo speed.
- Push the trigger away from the handle to move backward.
- Release to stop.
- Use the steering control wheel to turn left and right.
- Release the wheel to drive straight.
- When you finish driving the vehicle, turn it off.

You can use the gear switch to select high or low gear. Raise it up for high gear to drive on smooth surfaces. The indicator lights red. Lower the switch for low gear to drive on rough surfaces. The indicator lights green.



## Battery Notes

- Use only fresh batteries of the required size and recommended type. RadioShack alkaline batteries can be purchased at your local RadioShack store.
- Use only the recommended battery pack.
- Do not charge the battery pack while it is in the vehicle or immediately after use. Allow it to cool first.
- After you charge the battery pack (12 to 14 hours), disconnect it from the charger. Overcharging the battery pack might damage it.
- Do not mix old and new batteries, different types of batteries (alkaline, standard, or rechargeable), or rechargeable batteries of different capacities.
- If you do not plan to use the vehicle for a week or more, remove the batteries from it and the transmitter. Batteries can leak chemicals that may destroy electronic parts.
- Ensure the connectors and wires are positioned so they do not touch moving parts.
- Dispose of old batteries promptly and properly. Do not burn or bury them.
- **Warning:** If you use alkaline batteries to power the motor, do not remove them immediately after you finish using your vehicle. The motor will get very hot. To avoid getting burned, let the vehicle cool about 10 minutes before you remove the batteries.

## The FCC Wants You to Know

Your vehicle might cause TV or radio interference even when it is operating properly. To determine whether your vehicle is causing the interference, turn it off. If the interference goes away, your vehicle is causing it. Try to eliminate the interference by:

- moving your vehicle away from the receiver
- contacting your local RadioShack store for help

If you cannot eliminate the interference, the FCC requires that you stop using your vehicle.

This device complies with Part 15 of the FCC Rules. Operation is subject to the following two conditions: (1) this device may not cause harmful interference, and (2) this device must accept any interference received, including interference that may cause undesired operation. Changes or modifications to this product not expressly approved by RadioShack, or operation of this product in any way other than as detailed by the Owner's Manual, could void your authority to operate the product.

## FCC Declaration of Conformity

This device complies with Part 15 of the FCC Rules. Operation is subject to the following two conditions: (1) this device may not cause harmful interference, and (2) this device must accept any interference received, including interference that may cause undesired operation.



Product:	Ford F-150
Model:	60-4356
Responsible Party:	RadioShack 100 Throckmorton Fort Worth, TX 76102
Phone:	817-415-3200

The EPA certified RBRC® Battery Recycling Seal on the nickel-cadmium (Ni-Cd) battery indicates RadioShack is voluntarily participating in an industry program to collect and recycle these batteries at the end of their useful life, when taken out of service in the United States or Canada. The RBRC program provides a convenient alternative to placing used Ni-Cd batteries into the trash or the municipal waste stream, which may be illegal in your area. Please call 1-800-THE-SHACK (1-800-843-7422) for information on Ni-Cd battery recycling and disposal restrictions in your area. RadioShack's involvement in this program is part of the company's commitment to preserving our environment and conserving our natural resources.



## Hints & Tips

- Driving your Ford F-150 for long periods of time can generate a high heat level, which causes wear and tear on the motor. To help keep heat levels down, when your vehicle's battery power dies, let it cool for at least 10 minutes before installing new batteries.
- Do not touch the motor immediately after using the Ford F-150, as it may become hot during use.
- If your Ford F-150's motor runs, but does not respond to the transmitter, move closer to the vehicle and try again.
- If someone uses a CB nearby, it might interfere with the control of your Ford F-150. If this happens, move the vehicle away from the CB.
- You cannot operate your Ford F-150 near devices with transmitters that use the same frequency as your vehicle (27 MHz or 49 MHz). Check the box to see which frequency you have.
- If the Ford F-150 moves slowly, or not at all, and you have installed new batteries, check the wheel mechanism for lint, dust, hair or thread.
- When the transmitter's range decreases, replace its battery.
- If the Ford F-150 does not drive in a straight line, adjust the wheel alignment control on the bottom of the vehicle.
- Turn the control toward **L** if the vehicle pulls to the right, and toward **R** if the vehicle pulls to the left.
- The Ford F-150 might make a popping or grinding noise when you slide the gear control switch. This is normal.

## Care & Use

- The Ford F-150 is recommended for children ages 8 and up.
- Do not play with your vehicle in the street.
- The Ford F-150 reaches much higher speeds than most radio-controlled cars. Avoid high-impact collisions with people and objects.
- If the Ford F-150 gets stuck under an object, immediately release both controls on the transmitter. Then, retrieve the vehicle.
- Wipe the vehicle occasionally with a damp cloth to keep it looking new.
- If your Ford F-150 does not operate properly, take it to your local RadioShack store for assistance.

## Limited Ninety-Day Warranty

This product is warranted by RadioShack against manufacturing defects in material and workmanship under normal use for ninety (90) days from the date of purchase from RadioShack company-owned stores and authorized RadioShack franchisees and dealers. EXCEPT AS PROVIDED HEREIN, RadioShack MAKES NO EXPRESS WARRANTIES AND ANY IMPLIED WARRANTIES, INCLUDING THOSE OF MERCHANTABILITY AND FITNESS FOR A PARTICULAR PURPOSE, ARE LIMITED IN DURATION TO THE DURATION OF THE WRITTEN LIMITED WARRANTIES CONTAINED HEREIN. EXCEPT AS PROVIDED HEREIN, RadioShack SHALL HAVE NO LIABILITY OR RESPONSIBILITY TO CUSTOMER OR ANY OTHER PERSON OR ENTITY WITH RESPECT TO ANY LIABILITY, LOSS OR DAMAGE CAUSED DIRECTLY OR INDIRECTLY BY USE OR PERFORMANCE OF THE PRODUCT OR ARISING OUT OF ANY BREACH OF THIS WARRANTY, INCLUDING, BUT NOT LIMITED TO, ANY DAMAGES RESULTING FROM INCONVENIENCE, LOSS OF TIME, DATA, PROPERTY, REVENUE, OR PROFIT OR ANY INDIRECT, SPECIAL, INCIDENTAL, OR CONSEQUENTIAL DAMAGES, EVEN IF RadioShack HAS BEEN ADVISED OF THE POSSIBILITY OF SUCH DAMAGES.

Some states do not allow limitations on how long an implied warranty lasts or the exclusion or limitation of incidental or consequential damages, so the above limitations or exclusions may not apply to you.

In the event of a product defect during the warranty period, take the product and the RadioShack sales receipt as proof of purchase date to any RadioShack store. RadioShack will, at its option, unless otherwise provided by law: (a) correct the defect by product repair without charge for parts and labor; (b) replace the product with one of the same or similar design; or (c) refund the purchase price. All replaced parts and products, and products on which a refund is made, become the property of RadioShack. New or reconditioned parts and products may be used in the performance of warranty service. Repaired or replaced parts and products are warranted for the remainder of the original warranty period. You will be charged for repair or replacement of the product made after the expiration of the warranty period.

This warranty does not cover: (a) damage or failure caused by or attributable to acts of God, abuse, accident, misuse, improper or abnormal usage, crash, collision, impact, violent contact, failure to follow instructions, improper installation or maintenance, alteration, lightning or other incidence of excess voltage or current; (b) any repairs other than those provided by a RadioShack Authorized Service Facility; (c) consumables such as fuses or batteries; (d) cosmetic damage; (e) transportation, shipping or insurance costs; or (f) costs of product removal, installation, set-up service adjustment or reinstallation.

This warranty gives you specific legal rights, and you may also have other rights which vary from state to state.

RadioShack Customer Relations, 200 Taylor Street, 6th Floor, Fort Worth, TX 76102

12/99

©2003. RadioShack Corporation.  
All Rights Reserved.  
RadioShack and RadioShack.com are trademarks  
used by RadioShack Corporation.

60-4356  
Printed in China  
09A03

## Free Manuals Download Website

<http://myh66.com>

<http://usermanuals.us>

<http://www.somanuals.com>

<http://www.4manuals.cc>

<http://www.manual-lib.com>

<http://www.404manual.com>

<http://www.luxmanual.com>

<http://aubethermostatmanual.com>

Golf course search by state

<http://golfingnear.com>

Email search by domain

<http://emailbydomain.com>

Auto manuals search

<http://auto.somanuals.com>

TV manuals search

<http://tv.somanuals.com>