

XMODS® Suspension and Steering Kit

60-438

Thank you for purchasing your Suspension and Steering Kit from **RadioShack**. Please read this user's guide before installing, setting up, and using your new product.

When you need to adapt your car's handling for different driving conditions, the steering and suspension upgrade will enhance your competitive edge. This upgrade consists of three kinds of tie rods and damper springs. Change the tie rods to adjust and improve steering. Change the dampers and springs to improve handling on different driving surfaces. Before installing, turn off your vehicle and controller and detach the car body.

Changing the Tie Rod

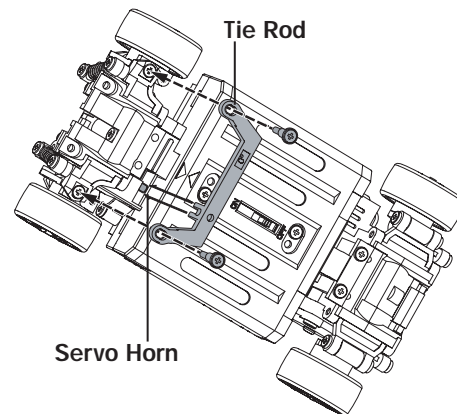
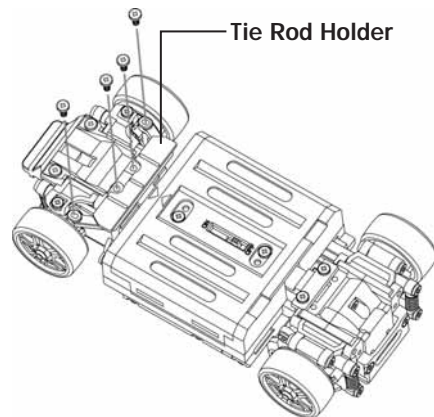
1. Remove two screws from the tie rod holder and two screws from the tie rod.
2. Take out the current tie rod.
3. Insert the new tie rod and tighten the screws.

Note: You must match the slot on the tie rod with the servo horn as illustrated. If

necessary, use a screwdriver to adjust the servo horn to the correct position.

4. Replace the tie rod holder and tighten the screws.

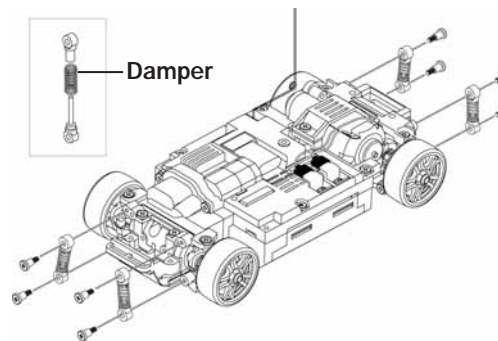
Note: Do not overtighten the screws when reassembling the car.



Wheel Angle (Toe-In) Degree	Use for
1.5	Straight stretches and speed
3.0	Some straight stretches and curves
4.5	Tight and curvy roads

Tuning Tips

- You do not always need to upgrade the tie rods, dampers, and springs at the same time. There may be driving conditions where you only want to modify one at a time.
- Different combinations of tie rods and springs will give you optimal driving performance. The higher the degree, the tighter the turning radius of the car.
- When upgrading your car, it is best to work on a large, level workbench or table.
- To adjust for oversteering, use softer springs in the front and stiffer springs in the rear.
- To adjust for understeering, use stiffer springs in the front and softer springs in the rear.



Spring Color	Spring Stiffness
Red	Soft
Yellow	Medium
Blue	Stiff

Limited Warranty

This product is warranted by **RadioShack** against manufacturing defects in material and workmanship under normal use for ninety (90) days from the date of purchase from **RadioShack** company-owned stores and authorized **RadioShack** franchisees and dealers. EXCEPT AS PROVIDED HEREIN, **RadioShack** MAKES NO EXPRESS WARRANTIES AND ANY IMPLIED WARRANTIES, INCLUDING THOSE OF MERCHANTABILITY AND FITNESS FOR A PARTICULAR PURPOSE, ARE LIMITED IN DURATION TO THE DURATION OF THE WRITTEN LIMITED WARRANTIES CONTAINED HEREIN. EXCEPT AS PROVIDED HEREIN, **RadioShack** SHALL HAVE NO LIABILITY OR RESPONSIBILITY TO CUSTOMER OR ANY OTHER PERSON OR ENTITY WITH RESPECT TO ANY LIABILITY, LOSS OR DAMAGE CAUSED DIRECTLY OR INDIRECTLY BY USE OR PERFORMANCE OF THE PRODUCT OR ARISING OUT OF ANY BREACH OF THIS WARRANTY, INCLUDING, BUT NOT LIMITED TO, ANY DAMAGES RESULTING FROM INCONVENIENCE, LOSS OF TIME, DATA, PROPERTY, REVENUE, OR PROFIT OR ANY INDIRECT, SPECIAL, INCIDENTAL, OR CONSEQUENTIAL DAMAGES, EVEN IF **RadioShack** HAS BEEN ADVISED OF THE POSSIBILITY OF SUCH DAMAGES.

Some states do not allow limitations on how long an implied warranty lasts or the exclusion or limitation of incidental or consequential damages, so the above limitations or exclusions may not apply to you.

In the event of a product defect during the warranty period, take the product and the **RadioShack** sales receipt as proof of purchase date to any **RadioShack** store. **RadioShack** will, at its option, unless otherwise provided by law: (a) correct the defect by product repair without charge for parts and labor; (b) replace the product with one of the same or similar design; or (c) refund the purchase price. All replaced parts and products, and products on which a refund is made, become the property of **RadioShack**. New or reconditioned parts and products may be used in the performance of warranty service. Repaired or replaced parts and products are warranted for the remainder of the original warranty period. You will be charged for repair or replacement of the product made after the expiration of the warranty period.

This warranty does not cover: (a) damage or failure caused by or attributable to acts of God, abuse, accident, misuse, improper or abnormal usage, failure to follow instructions, improper installation or maintenance, alteration, lightning or other incidence of excess voltage or current; (b) any repairs other than those provided by a **RadioShack** Authorized Service Facility; (c) consumables such as fuses or batteries; (d) cosmetic damage; (e) transportation, shipping or insurance costs; or (f) costs of product removal, installation, set-up service adjustment or reinstallation.

This warranty gives you specific legal rights, and you may also have other rights which vary from state to state.

RadioShack Customer Relations
300 RadioShack Circle, Fort Worth, TX 76102 12/99

www.radioshack.com



www.xmodsRC.com

© 2008 **RadioShack** Corporation
All Rights Reserved.
XMODS is a registered trademark used by **RadioShack** Corporation.

08A08
INS 3351-US-01
60-438
Printed in China

Free Manuals Download Website

<http://myh66.com>

<http://usermanuals.us>

<http://www.somanuals.com>

<http://www.4manuals.cc>

<http://www.manual-lib.com>

<http://www.404manual.com>

<http://www.luxmanual.com>

<http://aubethermostatmanual.com>

Golf course search by state

<http://golfingnear.com>

Email search by domain

<http://emailbydomain.com>

Auto manuals search

<http://auto.somanuals.com>

TV manuals search

<http://tv.somanuals.com>