

Sonic Thunder

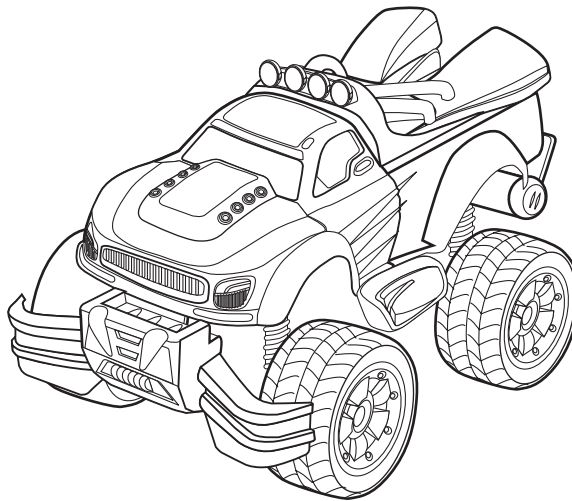
60-4324

OWNER'S MANUAL — Please read before using this equipment.

! IMPORTANT !

If an icon appears at the end of a paragraph, go to the box on that page with the corresponding icon for pertinent information.

- ⚠ — Warning ! — Important
⚡ — Caution 💡 — Hint
📌 — Note



⚠ WARNING ⚠

Dispose of batteries promptly and properly. Do not burn or bury batteries.

⚡ CAUTION ⚡

- Use only fresh batteries of the required size and recommended type.
- Do not mix old and new batteries, different types of batteries (standard, alkaline, or rechargeable), rechargeable batteries of different capacities.
- Never leave dead or weak batteries in the truck or the transmitter.
- If you do not plan to use the truck for several days, remove the batteries. Batteries can leak chemicals that might damage electronic parts.

Thank you for purchasing the RadioShack Sonic Thunder radio controlled truck. The truck's super-size wheels handle the rough spots, and its differential gear handles those tight corners. Built to 1/12 scale, it can reach speeds of up to 530 feet per minute. It has 4-wheel drive, a high gear for driving at high speed, and a low gear for climbing slopes up to 35 degrees. Your Sonic Thunder is available in two frequencies (27 and 49 MHz) to let you race against other radio-controlled trucks. Check the truck's box to see which frequency your Sonic Thunder uses.

INSTALLING BATTERIES

Sonic Thunder requires a 9.6-volt rechargeable nickel-cadmium (Ni-Cd), or nickel-metal-hydride (Ni-MH), battery pack and battery charger. The transmitter requires one 9-volt battery (not supplied). The rechargeable battery pack and battery pack charger, as well as alkaline battery, are available at your local RadioShack store. ⚠ ⚡



RadioShack[®]
www.radioshack.comSM

© 2002 RadioShack Corporation.
All Rights Reserved.

RadioShack and RadioShack.com are trademarks
used by RadioShack Corporation.

CAUTION

- Do not charge or recharge the battery pack while it is in the truck.
- After you charge or recharge the battery pack, disconnect it from the charger. Overcharging the battery pack could damage it.
- When you disconnect the battery pack from the charger, do not pull on the connector's wires. You might damage the battery pack.

! IMPORTANT !

The EPA certified RBRC® Battery Recycling Seal on the nickel-cadmium (Ni-Cd) battery indicates RadioShack is voluntarily participating in an industry program to collect and recycle these batteries at the end of their useful life, when taken out of service in the United States or Canada. The RBRC program provides a convenient alternative to placing used Ni-Cd batteries into the trash or the municipal waste stream, which may be illegal in your area. Please call 1-800-THE-SHACK (1-800-843-7422) for information on Ni-Cd battery recycling and disposal bans/restrictions in your area. RadioShack's involvement in this program is part of the company's commitment to preserving our environment and conserving our natural resources.

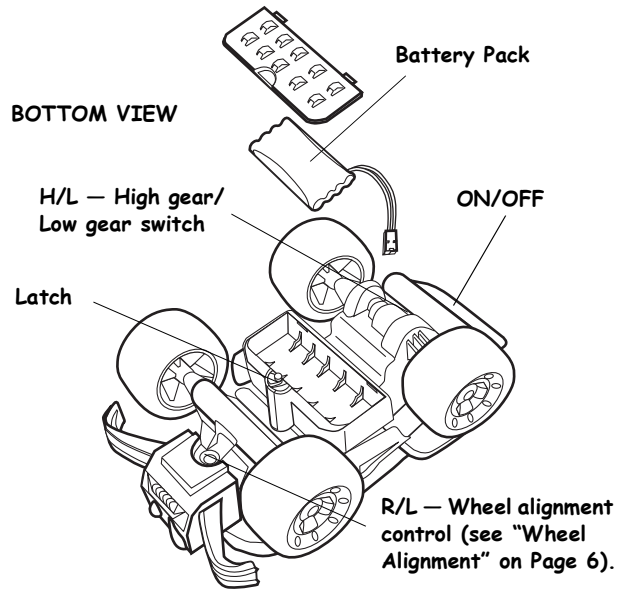


NOTE

Occasionally, fully discharge the battery pack before you recharge it. Otherwise, the battery pack loses its ability to fully charge.

IN THE TRUCK

Your truck uses a 9.6-volt rechargeable battery pack. You must charge the battery pack with a battery charger before you can use it to power your truck. Follow the charger's instructions to charge the battery pack.



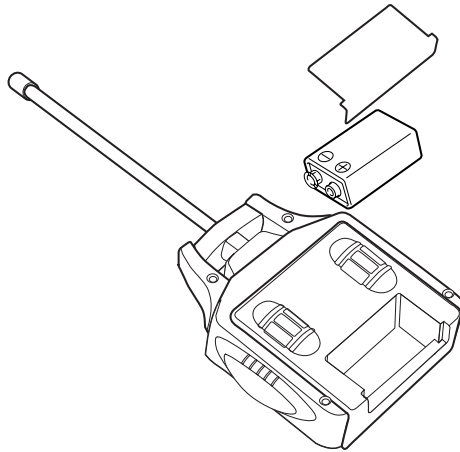
1. Slide **ON/OFF** on the bottom of the truck to **OFF**.
2. Use a coin to turn the latch on the battery compartment cover counter clockwise until it stops.
3. Lift and remove the cover.
4. Attach the battery pack's white plastic connector to the car's matching connector. Do not force them together. They only fit one way.
5. Replace the cover and turn the latch clockwise to secure it.

When the truck moves slowly or does not move at all, recharge the truck's battery pack. ⚠ !

IN THE TRANSMITTER

The transmitter requires one 9-volt battery. For the best and longest operation, we recommend a RadioShack alkaline battery.

1. Slide ON/OFF on the transmitter to OFF.



2. To remove the battery compartment's cover, slide it in the direction of the arrow marked on the cover, and then lift.
3. Put the battery in the transmitter as indicated by the polarity symbols (+ and -) marked inside.
4. Replace the cover and snap it in.

When the transmitter's range decreases, replace its battery.

DRIVING THE SONIC THUNDER

Slide ON/OFF on the bottom of the truck to ON.

Slide ON/OFF on the transmitter to ON. The LED on the transmitter lights.

Slide H-L at the bottom rear of the truck to H (high) for driving on a smooth surface or L (low) for driving on rough surfaces, or climbing slopes. ⚠️

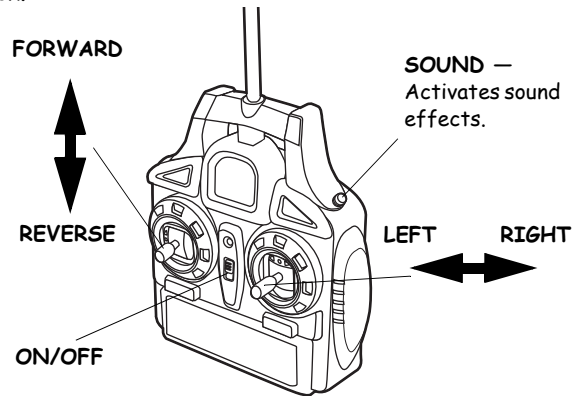
⚠️ WARNING ⚠️

Never play with your truck in the street.

⚠️ CAUTION ⚠️

- Do not drive the truck in puddles, on a wet floor, on sand, in mud, rain, or snow. This can damage the truck.
- If the truck gets stuck under an object, immediately release the control levers and retrieve the truck.

Use the transmitter's control levers to control the truck.



LEFT CONTROL LEVER

Push forward to move forward.

Pull back to reverse.

Release to stop.

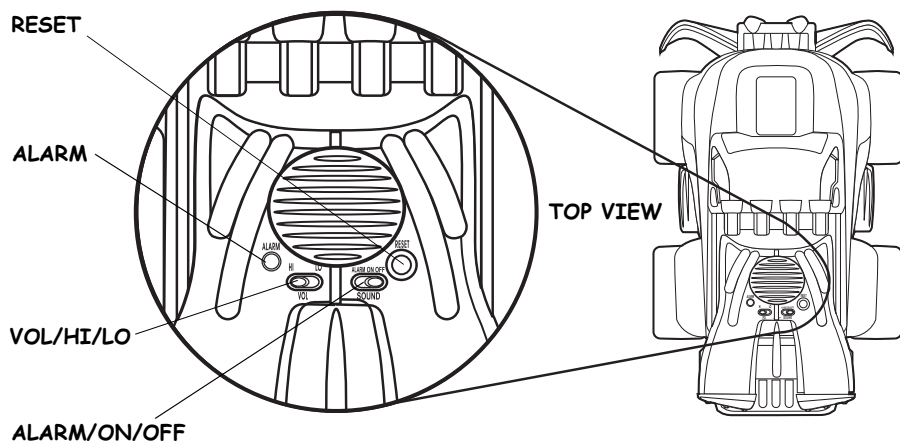
RIGHT CONTROL LEVER

Push left to move left.

Push right to move right.

Release to go straight.

Slide **VOL HI/LO** on the top of the truck to **HI** (high) or **LO** (low) to select the desired volume level.



Slide the **ALARM/ON/OFF** switch on top of the truck to the desired mode.

Press **SOUND** on the side of the transmitter once to activate the sound effects when the **ALARM** or **ON** mode is selected.

When the switch is set to **ALARM**, a security alarm monitors your truck to protect it from being played with by unauthorized people. The lights on the roll bar flash twice and the truck beeps twice. Then the **ALARM LED** flashes. An alarm sounds when your truck detects being rolled. To stop the alarm sound, slide **ALARM/ON/OFF** to **OFF**, or press **RESET**.

When the switch is set to **ON**, an ignition sound effect occurs. The following sounds and light effects are also activated with the movements of your truck.

FULL STOP + SOUND — Horn sound

FORWARD — Driving sound and light effects

FORWARD + LEFT — Skid, driving sound and light effects

FORWARD + RIGHT — Skid, driving sound and light effects

FORWARD + SOUND + LEFT or RIGHT — Skid sound effects

FORWARD + ALARM + LEFT or RIGHT — Alarm and horn sounds

REVERSE + ALARM + SOUND — Alarm and horn sounds

REVERSE + ALARM + SOUND + LEFT or RIGHT — Alarm only

REVERSE + SOUND + LEFT or RIGHT — Skid sound effects

REVERSE — Driving sound and light effects

REVERSE + LEFT — Driving sound and light effects

REVERSE + RIGHT — Driving sound and light effects

CRASH - The truck makes a crashing sound effect when the bumpers hits against an obstacle.

HELPFUL HINTS

The following hints can help you get the most from your truck.

- Running your truck continuously for long periods generates high heat levels. Heat causes wear and tear on the motor. To help keep heat levels down, when your truck's battery power dies, let the truck cool for at least 10 minutes before installing new or newly charged batteries.
- If the truck's motor runs, but the truck does not respond to the transmitter, move closer to the truck and try again.
- If someone uses a CB nearby, it might interfere with control of the truck. If this happens, move the truck away from the CB.
- You cannot operate your truck near devices with transmitters that use the same frequency (27MHz or 49MHz). Check the truck's packaging to see which frequency your truck uses.
- If the truck moves slowly, and you just installed a fully charged battery pack, check the wheel mechanisms for lint, thread, hair, or dust.

OFF - Slide the **ALARM/ON/OFF** switch to **OFF** when sound and light effects are not required.

RESET - press to resume normal operation.

When you finish driving the truck, set **ON/OFF** on both the truck and the transmitter to **OFF**.💡

WHEEL ALIGNMENT

If the truck does not drive in a straight line when you release the right control lever, adjust the wheel alignment control on the bottom of the truck.

Turn the control toward L (left) if the truck is pulling to the right, or toward R (right) if the truck is pulling to the left.

FCC DECLARATION OF CONFORMITY

This device complies with Part 15 of the *FCC Rules*. Operation is subject to the following two conditions: (1) this device may not cause harmful interference, and (2) this device must accept any interference received, including interference that may cause undesired operation.



| | |
|--------------------|--|
| Product: | Sonic Thunder |
| Model: | 60-4324 |
| Responsible Party: | RadioShack 100 Throckmorton Fort Worth, TX 76102 |
| Phone: | 817-415-3200 |

THE FCC WANTS YOU TO KNOW

This equipment has been tested and found to comply with the limits for a Class B digital device, pursuant to Part 15 of the *FCC Rules*. These limits are designed to provide reasonable protection against harmful interference in a residential installation. This equipment generates, uses and can radiate radio frequency energy and, if not installed and used in accordance with the

instructions, may cause harmful interference to radio communications.

However, there is no guarantee that interference will not occur in a particular installation. If this equipment does cause harmful interference to radio or television reception, which can be determined by turning the equipment off and on, the user is encouraged to try to correct the interference by one or more of the following measures:

- Reorient or relocate the receiving antenna.
- Increase the separation between the equipment and receiver.
- Consult your local RadioShack store or an experienced radio/TV technician for help.
- If you cannot eliminate the interference, the FCC requires that you stop using your truck.

Changes or modifications not expressly approved by RadioShack may cause interference and void the user's authority to operate the equipment.

CARE

Do not drive the truck through puddles or mud, on a wet floor, or in sand, rain, or snow. Do not expose the truck or transmitter to temperature extremes, and do not store them in direct sunlight or near a heat source. Do not leave the truck or transmitter outside overnight.

To protect the truck's mechanisms from lint and hair, do not drive the truck on carpet. Wipe the truck and transmitter with a damp cloth occasional to keep them looking new.

Modifying or tampering with the truck's, or transmitter's, internal components can cause a malfunction and might invalidate the truck's warranty and void your FCC authorization to operate it. If your truck is not performing as it should, take it and the transmitter to your local RadioShack store for assistance.

Limited Ninety-Day Warranty

This product is warranted by RadioShack against manufacturing defects in material and workmanship under normal use for ninety (90) days from the date of purchase from RadioShack company-owned stores and authorized RadioShack franchisees and dealers. EXCEPT AS PROVIDED HEREIN, RadioShack MAKES NO EXPRESS WARRANTIES AND ANY IMPLIED WARRANTIES, INCLUDING THOSE OF MERCHANTABILITY AND FITNESS FOR A PARTICULAR PURPOSE, ARE LIMITED IN DURATION TO THE DURATION OF THE WRITTEN LIMITED WARRANTIES CONTAINED HEREIN. EXCEPT AS PROVIDED HEREIN, RadioShack SHALL HAVE NO LIABILITY OR RESPONSIBILITY TO CUSTOMER OR ANY OTHER PERSON OR ENTITY WITH RESPECT TO ANY LIABILITY, LOSS OR DAMAGE CAUSED DIRECTLY OR INDIRECTLY BY USE OR PERFORMANCE OF THE PRODUCT OR ARISING OUT OF ANY BREACH OF THIS WARRANTY, INCLUDING, BUT NOT LIMITED TO, ANY DAMAGES RESULTING FROM INCONVENIENCE, LOSS OF TIME, DATA, PROPERTY, REVENUE, OR PROFIT OR ANY INDIRECT, SPECIAL, INCIDENTAL, OR CONSEQUENTIAL DAMAGES, EVEN IF RadioShack HAS BEEN ADVISED OF THE POSSIBILITY OF SUCH DAMAGES.

Some states do not allow limitations on how long an implied warranty lasts or the exclusion or limitation of incidental or consequential damages, so the above limitations or exclusions may not apply to you.

In the event of a product defect during the warranty period, take the product and the RadioShack sales receipt as proof of purchase date to any RadioShack store. RadioShack will, at its option, unless otherwise provided by law: (a) correct the defect by product repair without charge for parts and labor; (b) replace the product with one of the same or similar design; or (c) refund the purchase price. All replaced parts and products, and products on which a refund is made, become the property of RadioShack. New or reconditioned parts and products may be used in the performance of warranty service. Repaired or replaced parts and products are warranted for the remainder of the original warranty period. You will be charged for repair or replacement of the product made after the expiration of the warranty period.

This warranty does not cover: (a) damage or failure caused by or attributable to acts of God, abuse, accident, misuse, improper or abnormal usage, failure to follow instructions, improper installation or maintenance, alteration, lightning or other incidence of excess voltage or current; (b) any repairs other than those provided by a RadioShack Authorized Service Facility; (c) consumables such as fuses or batteries; (d) cosmetic damage; (e) transportation, shipping or insurance costs; or (f) costs of product removal, installation, set-up service adjustment or reinstallation.

This warranty gives you specific legal rights, and you may also have other rights which vary from state to state.

RadioShack Customer Relations, 200 Taylor Street, 6th Floor, Fort Worth, TX 76102

12/99

RadioShack Corporation
Fort Worth, Texas 76102

60-4324
08A02
Printed in Hong Kong

Free Manuals Download Website

<http://myh66.com>

<http://usermanuals.us>

<http://www.somanuals.com>

<http://www.4manuals.cc>

<http://www.manual-lib.com>

<http://www.404manual.com>

<http://www.luxmanual.com>

<http://aubethermostatmanual.com>

Golf course search by state

<http://golfingnear.com>

Email search by domain

<http://emailbydomain.com>

Auto manuals search

<http://auto.somanuals.com>

TV manuals search

<http://tv.somanuals.com>