

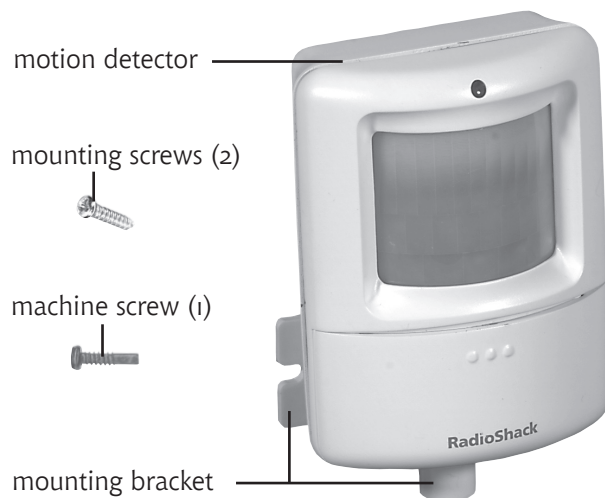


49-1003

Wireless Motion Detector

This wireless motion detector is for use with your Wireless Security Kit (49-1000). Your Wireless Security Kit includes one motion detector. Purchase up to 29 additional (30 total) motion detectors to expand and protect all 30 system zones. You can add additional door/window sensors and additional motion detectors, as long as the additional units do not exceed 30 (number of zones in your system). Refer to your 49-1000 user guide for more information on adding motion detectors and door/window sensors to your wireless system.

The motion detector senses movement up to 40 feet away, and should be mounted within 100 feet of the console to work properly.



installing batteries

1. Remove the battery compartment cover.
2. Insert 2 AA alkaline batteries.
3. Replace the cover.
4. After replacing the batteries, press **arm** to arm your system. Walk past the motion detector. If the system does not trip, register the motion detector again. Follow steps 1 thru 6 of "registering your motion detector".



If the motion detector stops working properly, or **PROBLEM** appears on your console display, replace the motion detector's batteries.

- Dispose of old batteries promptly and properly.
- Do not burn or bury batteries.
- Use only fresh batteries of the required size and recommended type.
- Do not mix old and new batteries, different types of batteries, or batteries of different capacities.

what's included

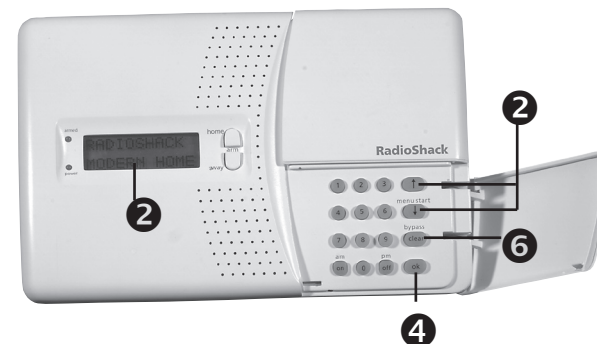
motion detector **mounting bracket**
mounting screws (2) **machine screw (1)**

Thank you for purchasing your Wireless Motion Detector from RadioShack.

registering your motion detector

1. Hold down **TEST** on your motion detector for 3-4 seconds and then release it.

Note: If you need to register the motion detector a second time, remove the batteries, and then hold down **TEST** for 3-4 seconds to pick up a random code.



2. Press **menu start** ↑ or ↓ on your security system console. **ENTER PIN** (Personal Identification Number) appears on the display.
3. Use the console keypad to enter your four-digit PIN. * appears on the display as each digit is pressed. After you enter your PIN, **1. INSTALL** appears.
4. Press **ok** and **1. INSTALL / ZONE** appears.
5. Press **TEST** on your motion detector. The console chimes and **ZONE 1 SET** appears on the console display to confirm registration.
6. Press **clear** to navigate backward through the console menu options. Press **1** to return to the main display, or press **2** to stay in install mode and register additional motion detectors.

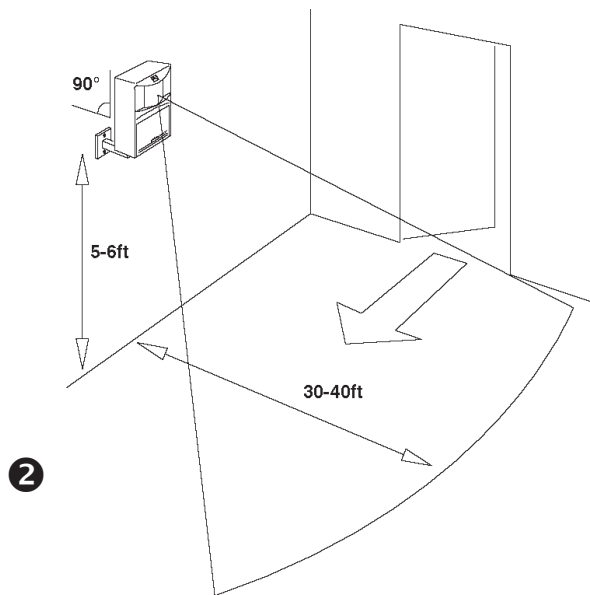
Refer to your Wireless Security Kit User Guide (49-1000) for instructions on how to change your PIN.

Please read this user's guide before installing, setting up and using your new product
www.radioshack.com

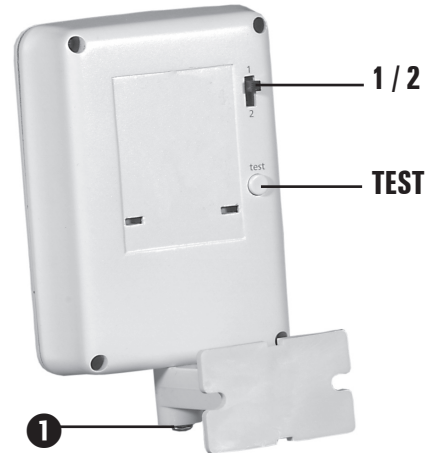
mounting your motion detector

Mount the motion detector so it points slightly downward to obtain maximum coverage.

1. Attach the motion detector to the mounting bracket using the supplied machine screw.
2. Use the supplied mounting screws to mount the motion detector (with bracket) on a wall, about 5 - 6 feet high.



3. Slide **1/2** on the back of the motion detector to **1** for instant triggering and maximum sensitivity, or to **2** to trigger the alarm only after two movements are sensed in the coverage area.



testing your motion detector

1. Slide **1/2** to **1**.
2. Press and hold down **TEST** until the motion detector's LED flashes twice, and then release it.
3. Wait 20 seconds, and then walk in front of the motion detector. Its LED lights when movement is sensed. If necessary, reposition the motion detector for the desired coverage area.
4. Press **TEST** when you are finished.

FCC information

This equipment has been tested and found to comply with the limits for a Class B digital device, pursuant to Part 15 of the *FCC Rules*. These limits are designed to provide reasonable protection against harmful interference in a residential installation. This equipment generates, uses, and can radiate radio frequency energy and, if not installed and used in accordance with the instructions, may cause harmful interference to radio communications.

However, there is no guarantee that interference will not occur in a particular installation. If this equipment does cause harmful interference to radio or television reception, which can be determined by turning the equipment off and on, the user is encouraged to try to correct the interference by one or more of the following measures:

- Reorient or relocate the receiving antenna.
- Increase the separation between the equipment and receiver.
- Consult your local RadioShack store or an experienced radio/TV technician for help.
- If you cannot eliminate the interference, the FCC requires that you stop using your motion detector.
- Changes or modifications not expressly approved by RadioShack may cause interference and void the user's authority to operate the equipment.

This device complies with Part 15 of the *FCC Rules*. Operation is subject to the following two conditions: (1) this device may not cause harmful interference, and (2) this device must accept any interference received, including interference that may cause undesired operation.

limited go-day warranty

This product is warranted by RadioShack against manufacturing defects in material and workmanship under normal use for ninety (90) days from the date of purchase from RadioShack company-owned stores and authorized RadioShack franchisees and dealers. For complete warranty details and exclusions, check with your local RadioShack store.

RadioShack Customer Relations
200 Taylor Street, 6th Floor, Fort Worth, TX 76102
04/04



Free Manuals Download Website

<http://myh66.com>

<http://usermanuals.us>

<http://www.somanuals.com>

<http://www.4manuals.cc>

<http://www.manual-lib.com>

<http://www.404manual.com>

<http://www.luxmanual.com>

<http://aubethermostatmanual.com>

Golf course search by state

<http://golfingnear.com>

Email search by domain

<http://emailbydomain.com>

Auto manuals search

<http://auto.somanuals.com>

TV manuals search

<http://tv.somanuals.com>