

# Night Light / Indoor TV Antenna

15-1867

OWNER'S MANUAL — Please read before using this equipment.

## ! IMPORTANT !

If an icon appears at the end of a paragraph, go to the box on that page with the corresponding icon for pertinent information.

-  — Warning
-  — Caution
-  — Important
-  — Hint
-  — Note

## CAUTION

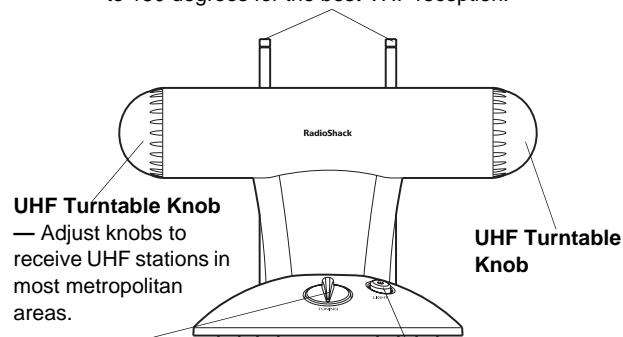
If you do not plan to use the antenna for several months, remove the batteries. Batteries can leak chemicals that can destroy electronic parts.

## NOTE

- The power from the batteries or adapter is only for the night light LED. The antenna will work without the power for the LED.
- The antenna has a light sensor circuit that automatically lights if you are using an adapter or have batteries installed. If you press **LIGHT** while in a dark room, the light turns on. When the surroundings are bright, the light will not turn on when you press **LIGHT**.

Thank you for purchasing the RadioShack Night Light/Indoor TV Antenna. It can receive both VHF and UHF channels, and consists of loop and telescoping antenna elements. A 6-foot coaxial cable with a gold plated male F-connector is attached to the antenna for TV connection.

**VHF Telescope Rod Antennas** — Swivel up to 180 degrees for the best VHF reception.





**UHF Turntable Knob**  
— Adjust knobs to receive UHF stations in most metropolitan areas.

**UHF Turntable Knob**

**TUNING** — Adjust to 12 different settings to fine tune VHF channels.

**LIGHT** — After connecting to power, press it to turn the night light on or off when in darkness.

## POWERING THE ANTENNA

Your antenna uses an optional 4.5V DC, 100mA adapter or three size C batteries (not supplied, available at your local RadioShack store) for illuminating the night light indicator. After connecting to power, press **LIGHT** to turn the light on or off while in darkness.  

### WITH AN ADAPTER

Plug a 4.5V DC, 100mA adapter into the antenna's **DC 4.5V** jack. Plug the adapter into an AC outlet.

### WITH BATTERIES

1. Use a screwdriver to loosen the screw from the battery compartment cover, and remove the cover.



**RadioShack**®

www.radioshack.com™

© 2002 RadioShack Corporation.  
All Rights Reserved.

RadioShack and RadioShack.com are trademarks used by RadioShack Corporation.



### Connecting and Using the Antenna

Some rooms have dead spots, or null points, where no TV signals can be received. If the reception is poor, move the antenna around the room for maximum reception.

### Service and Repair

If your antenna is not performing as it should, take it to your local RadioShack store for assistance. Modifying or tampering with the antenna's internal components can cause a malfunction and might invalidate its warranty.

### Limited Ninety-Day Warranty

This product is warranted by RadioShack against manufacturing defects in material and workmanship under normal use for ninety (90) days from the date of purchase from RadioShack company-owned stores and authorized RadioShack franchisees and dealers. EXCEPT AS PROVIDED HEREIN, RadioShack MAKES NO EXPRESS WARRANTIES AND ANY IMPLIED WARRANTIES, INCLUDING THOSE OF MERCHANTABILITY AND FITNESS FOR A PARTICULAR PURPOSE, ARE LIMITED IN DURATION TO THE DURATION OF THE WRITTEN LIMITED WARRANTIES CONTAINED HEREIN. EXCEPT AS PROVIDED HEREIN, RadioShack SHALL HAVE NO LIABILITY OR RESPONSIBILITY TO CUSTOMER OR ANY OTHER PERSON OR ENTITY WITH RESPECT TO ANY LIABILITY, LOSS OR DAMAGE CAUSED DIRECTLY OR INDIRECTLY BY USE OR PERFORMANCE OF THE PRODUCT OR ARISING OUT OF ANY BREACH OF THIS WARRANTY, INCLUDING, BUT NOT LIMITED TO, ANY DAMAGES RESULTING FROM INCONVENIENCE, LOSS OF TIME, DATA, PROPERTY, REVENUE, OR PROFIT OR ANY INDIRECT, SPECIAL, INCIDENTAL, OR CONSEQUENTIAL DAMAGES, EVEN IF RadioShack HAS BEEN ADVISED OF THE POSSIBILITY OF SUCH DAMAGES.

Some states do not allow limitations on how long an implied warranty lasts or the exclusion or limitation of incidental or consequential damages, so the above limitations or exclusions may not apply to you.

In the event of a product defect during the warranty period, take the product and the RadioShack sales receipt as proof of purchase date to any RadioShack store. RadioShack will, at its option, unless otherwise provided by law: (a) correct the defect by product repair without charge for parts and labor; (b) replace the product with one of the same or similar design; or (c) refund the purchase price. All replaced parts and products, and products on which a refund is made, become the property of RadioShack. New or reconditioned parts and products may be used in the performance of warranty service. Repaired or replaced parts and products are warranted for the remainder of the original warranty period. You will be charged for repair or replacement of the product made after the expiration of the warranty period.

This warranty does not cover: (a) damage or failure caused by or attributable to acts of God, abuse, accident, misuse, improper or abnormal usage, failure to follow instructions, improper installation or maintenance, alteration, lightning or other incidence of excess voltage or current; (b) any repairs other than those provided by a RadioShack Authorized Service Facility; (c) consumables such as fuses or batteries; (d) cosmetic damage; (e) transportation, shipping or insurance costs; or (f) costs of product removal, installation, set-up service adjustment or reinstallation.

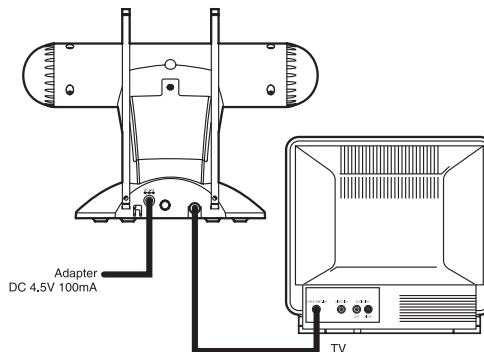
This warranty gives you specific legal rights, and you may also have other rights which vary from state to state.

RadioShack Customer Relations, 200 Taylor Street, 6th Floor, Fort Worth, TX 76102

12/99

- Place three batteries in the compartment according to the polarity symbols (+ and -) marked inside.
- Replace the cover and secure it with the screw.

## CONNECTING AND USING THE ANTENNA



- Place the antenna on the top of the TV set.
- If your TV has a 75-ohm female F-connector, screw the antenna cable's F-connector onto the TV's antenna terminal. Then turn the connector clockwise.

If your TV has a 300-ohm twin-lead connector, you need an optional adapter (available at your local RadioShack store) to connect to it.

- For the best VHF reception, fully extract the rod antennas and adjust the position of the antenna base. Adjust **TUNING** to improve the VHF reception.
- For the best UHF reception, rotate the antenna base or the UHF turntable knobs.

## CARE

Keep the antenna dry; if it gets wet, wipe it dry immediately. Use and store the antenna only in normal temperature environments. Handle the antenna carefully; do not drop it. Keep the antenna away from dust and dirt, and wipe it with a damp cloth occasionally to keep it looking new.

RadioShack Corporation  
Fort Worth, Texas 76102

15-1867  
AO0115AAA1  
05A02  
Printed in China

## Free Manuals Download Website

<http://myh66.com>

<http://usermanuals.us>

<http://www.somanuals.com>

<http://www.4manuals.cc>

<http://www.manual-lib.com>

<http://www.404manual.com>

<http://www.luxmanual.com>

<http://aubethermostatmanual.com>

Golf course search by state

<http://golfingnear.com>

Email search by domain

<http://emailbydomain.com>

Auto manuals search

<http://auto.somanuals.com>

TV manuals search

<http://tv.somanuals.com>