



8-In-One Touch Screen Remote Control



15-2107
Owner's Manual
Please read before using this equipment.

Read This First

FCC STATEMENT

This device complies with Part 15 of *FCC Rules*. Operation is subject to the following two conditions: (1) this device may not cause harmful interference, and (2) this device must accept any interference received, including interference that may cause undesired operation.

Changes or modifications not expressly approved by the party responsible for compliance void the user's authority to operate the equipment.

© 2001 RadioShack Corporation.
All Rights Reserved.
RadioShack and RadioShack.com are
trademarks used by RadioShack Corporation.
U.S. Patents 5,414,761; 5,552,917; 5,228,077; 5,255,313; 5,698,353; 5,959,751;
5,515,052; 5,537,463; 5,614,906; 6,014,092. Other patents pending.

Contents

Features	5
A Quick Look at the Keys	6
The Hard Keys	6
The Touch Screen Keys	7
Touch Screen Organization	7
AMP (Audio Amplifier) Controls	9
CAB (Cable Box) Controls	10
CD (CD Player) Controls	10
DVD (DVD Player) Controls	11
HOME (Home Automation) Controls	12
LDP (Laser Disc Player) Controls	13
MISC (Miscellaneous Audio Service) Controls	14
SAT (Satellite Receiver) Controls	15
TAPE (Audio Cassette) Controls	16
TUN (Audio Receiver) Controls	17
TV (Television) Controls	18
VCR (Video Cassette Recorder) Controls	19
VID (Video Accessory) Controls	20
Preparation	21
Installing Batteries	21
Setting the Clock	22
Adjusting Sound	23
Setting Up The Remote	23
Manufacturer Code Search	25
Programming Favorite Channel Scan	26
Programming Macros	28
Deleting a Macro	29
Programming Home Theater Mode	29
Control Groups	30
Device Groups	30
Setting Up Home Theater	30
Programming Home Theater Macros	32
Programming a Timed Macro Sequence	33
Operation	36
Selecting a Device	36
Controlling a Selected Device	36
Using Channel Scan	37
Using Favorite Channel Scan	37
Using a Macro	37

Using Home Theater	38
Using a Timed Macro Sequence	38
Using Volume Lock	38
Locking the Volume	39
Unlocking the Volume	39
Using Learning	40
Learning a Function	40
Deleting a Learned Function	42
Using Key Mover	42
Moving a Key	43
Deleting a Moved Key	43
Using Operation Reset	44
Troubleshooting	46
Care	46
Manufacturers' Codes	47
Amplifier Codes	47
Audio Cassette Device Codes	47
Audio Receiver Codes	48
Cable Box Codes	49
CD Player Codes	51
DVD Player Codes	53
Home Automation Codes	54
LD (Laser Disc) Player Codes	54
Miscellaneous Audio Codes	55
Satellite Receiver Codes	55
TV Codes	56
TV/VCR Combo Codes	60
VCR Codes	61
Video Accessory Codes	66
Specifications	67

Features

Your RadioShack 8-In-One Touch Screen Remote Control is an advanced universal remote control with touch screen control of up to eight home entertainment devices.

Its features include:

Key Mover — allows keys to be copied from one device to another, or to a different position in the same device mode.

Home Theater Feature — lets you combine different device applications under one convenient mode.

Learning — lets you add missing or unique functions from other remote controls.

Programmable Macro Keys — can be programmed with up to 15 keystrokes each to perform repetitive tasks with the press of one key.

Extensive Searchable Code Library — contains remote control codes for most available brands, as well as discontinued devices.

Favorite Channel Scan — lets you preview favorite channels.

Automatic Backlighting — changes the illumination in response to tilt movement and ambient lighting.

Easy Device Setup — can be programmed by device code or by library search.

Real-Time Clock and Timed Macro Sequences — for away-from-home device control.

Powerful Infrared Beam — lets you operate your home entertainment devices from a greater distance than with many of the original remote controls.

Non-Volatile Memory — retains programming even when the batteries are removed.

□ **A Quick Look at the Keys**


This section contains a listing of all the remote's keys for all available devices that can be setup using this remote control.


For your device, not every function may be available or have the same name. For operation details on remote control keys, refer to the devices' owner's manuals.

THE HARD KEYS

The most-often used remote control functions are assigned to hard keys and are located below the touch screen. A beep sounds each time you press a hard key.

If desired, the beep can be disabled (see "Adjusting Sound" on Page 23).

If a pressed key issues an IR signal, the red light blinks and  flashes.

Note: If the Macro (**1M**, **2M**, and **3M**) keys have not been programmed, the red light and  do not flash.


After you select a device, aim the remote control at the device and use the hard keys as follows:

Key	Function
POWER	Use to turn the selected device on or off.
VOL+/-	Use to adjust the volume level of the selected device.
MUTE	Use to mute or restore the volume of the selected device.
CH+/-	Use to change to the next higher (or lower) channel of the selected device.

Key	Function
SCAN	Use to preview all available channels for a selected device at three-second intervals. Press again to stop the scan at a desired channel. To view favorite channels, SCAN must be programmed first. See "Programming Favorite Channel Scan" on Page 26.
1M, 2M, or 3M	After programming, use to run a macro. See "Programming Macros" on Page 28.
P	Use to program advanced features. Hold down for three seconds to enter the program mode.

THE TOUCH SCREEN KEYS

The remote control features a touch screen organized as a grid of soft keys (keys that change function via software) and respond to touch commands.

Each time you touch a soft key, a beep sounds, confirming your command. When you touch a device key (**TV**, **VCR/DVD**, **CAB/SAT**, **RECVR**, **AUX 1**, **AUX 2**, **AUX 3**, or **AUX 4**) a double beep sounds. If you touch a key in error, a higher-pitched beep sounds and **INVALID** appears. If a pressed key issues an IR signal, the red light blinks and  flashes.

Note: You can disable the beep (see "Adjusting Sound" on Page 23).

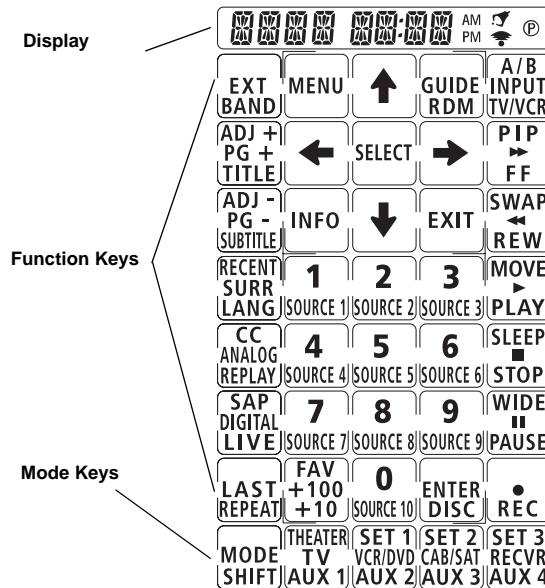
Touch Screen Organization

The touch screen has two groups of keys: Remote Control Function Keys and Mode Keys.

Remote Control Function Keys — Use to remotely control a selected device. The keys function according to the type of device you select and the information dictated by the manufacturer's code for that device (see "Manufacturers' Codes" on Page 47).

Mode Keys — Use to select a device you wish to control. The default mode includes **TV**, **VCR/DVD**, **CAB/SAT**, and **RECVR** keys. The secondary mode includes **AUX 1**, **AUX 2**, **AUX 3**, and **AUX 4**. The home theater mode includes **THEATER**, **SET 1**, **SET 2**, and **SET 3**. Press **MODE SHIFT** one or more times to view the secondary and home theater modes. Press it again to return to the default mode.

Note: The following illustration shows all possible keys and icons. Depending on the selected device and its brand, the keys vary.



Note: The following are displays you might see on the touch screen depending on how your remote is programmed. For example, if you programmed **RECVR** to control an audio tuner, **TUN** and a set of soft keys to control a tuner appear. However, if you programmed **RECVR** to control an audio amplifier, **AMP** and soft keys to control an amplifier appear.

AMP (Audio Amplifier) Controls

Key	Function
BAND	Use to select the radio band.
MENU	Use to view your amplifier's main menu.
RDM	Use to activate random play.
INPUT	Use to listen to an input signal connected to the amplifier.
INFO	Use to display graphical user interface or other information.
EXIT	Use to exit display or menu.
SELECT	Use to select menu and remote control programming options.
Arrows	Use up/down/left/right cursor arrows to move through menu and programming options.
ADJ +/-	Use to adjust surround sound volume.
FF, REW, PLAY, STOP, PAUSE, and REC	Use to control a CD player or audio cassette (if available).
SURR	Use to activate surround sound.
ANALOG	Use to select analog inputs/outputs.
DIGITAL	Use to select digital inputs/outputs.
REPEAT	Use to repeat play a CD or tape (if available).
Number Keypad	Use to enter numbers or select Source 1–10 as input source.
+10	Use if track is greater than 10.
DISC	Use to select a CD or skip a CD (if available).
MODE SHIFT	Use to select a different mode.
Mode Keys	Use TV, VCR/DVD, CAB/SAT, RECVR, AUX 1, AUX 2, AUX 3, and AUX 4 to select devices. Use THEATER to select Home Theater mode. Use SET 1, SET 2, and SET 3 to run programmed macros in Home Theater mode.

CAB (Cable Box) Controls

Control	Function
MENU	Use to view your cable box's main menu.
GUIDE	Use to view the program guide.
A/B	Use to switch between A and B channels.
EXIT	Use to exit display or menu.
INFO	Use to display graphical user interface or other information.
FAV	Use with Favorite Channel Scan (see "Programming Favorite Channel Scan" on Page 26).
SELECT	Use to select menu and remote control programming options.
Arrows	Use up/down/left/right cursor arrows to move through menu and programming options.
PG +/-	Page up or down through menu or guide pages.
FF, REW, PLAY, STOP, PAUSE, and REC	Use to control VOD (video on demand).
LAST	Use to display the last-viewed channel.
Number Keypad	Use 0–9 to enter channel numbers.
ENTER	Use to enter channel numbers on some cable box models.
MODE SHIFT	Use to select a different mode.
Mode Keys	Use TV, VCR/DVD, CAB/SAT, RECVR, AUX 1, AUX 2, AUX 3, and AUX 4 to select devices. Use THEATER to select Home Theater mode. Use SET 1, SET 2, and SET 3 to run programmed macros in Home Theater mode.

CD (CD Player) Controls

Control	Function
BAND	Use to select CD track.
MENU	Use to view your CD's main menu.

Control	Function
RDM	Use to activate random play.
INPUT	Use to listen to an input signal connected to the CD.
EXIT	Use to exit display or menu.
INFO	Use to display graphical user interface or other information.
SURR	Use to activate surround sound.
SELECT	Use to select menu and remote control programming options.
Arrows	Use up/down/left/right cursor arrows to move through menu and programming options.
ADJ +/-	Use to adjust surround sound volume.
FF, REW, PLAY, STOP, PAUSE, and REC	Use to control CD transport.
ANALOG	Use to select analog inputs/outputs.
DIGITAL	Use to select digital inputs/outputs.
REPEAT	Use to repeat play a CD or tape.
Number Keypad	Use 0–9 to enter track numbers.
+10	Use to enter track numbers greater than 10.
DISC	Use to select different CD or skip CD.
MODE SHIFT	Use to select a different mode.
Mode Keys	Use TV, VCR/DVD, CAB/SAT, RECVR, AUX 1, AUX 2, AUX 3, and AUX 4 to select devices. Use THEATER to select Home Theater mode. Use SET 1, SET 2, and SET 3 to run programmed macros in Home Theater mode.

DVD (DVD Player) Controls

Control	Function
EXT	Use to select external input or antenna.
MENU	Use to view your DVD's main menu.
GUIDE	Use to view the program guide.
TV/VCR	Use to switch between TV or DVD.

Control	Function
SELECT	Use to select menu and remote control programming options.
ANALOG	Use to select analog inputs/outputs.
DIGITAL	Use to select digital inputs/outputs.
REPEAT	Use to repeat play a track.
EXIT	Use to exit display or menu.
INFO	Use to display graphical user interface or other information.
TITLE	Use to go to DVD's main title.
SUBTITLE	Use to select subtitle options.
LANG	Use to select language options.
Arrows	Use up/down/left/right cursor arrows to move through menu and programming options.
FF, REW, PLAY, STOP, PAUSE, and REC	Use to control DVD transport.
Number Keypad	Use 0–9 to enter chapter numbers.
+10	Use to enter chapter numbers greater than 10.
ENTER	Use to enter numbers on some DVD player models.
MODE SHIFT	Use to select a different mode.
Mode Keys	Use TV, VCR/DVD, CAB/SAT, RECVR, AUX 1, AUX 2, AUX 3, and AUX 4 to select devices. Use THEATER to select Home Theater mode. Use SET 1, SET 2, and SET 3 to run programmed macros in Home Theater mode.

HOME (Home Automation) Controls

Control	Function
SELECT	Use to select menu and remote control programming options.
TV/VCR	Use to switch between TV and VCR.
Arrows	Use up/down/left/right cursor arrows to move through menu and programming options.

Control	Function
STOP	Use to stop a function.
Number Keypad	Use 0–9 to enter numbers.
REPEAT	Use to repeat a function.
MODE SHIFT	Use to select a different mode.
Mode Keys	Use TV, VCR/DVD, CAB/SAT, RECVR, AUX 1, AUX 2, AUX 3, and AUX 4 to select devices. Use THEATER to select Home Theater mode. Use SET 1, SET 2, and SET 3 to run programmed macros in Home Theater mode.

LDP (Laser Disc Player) Controls

Control	Function
EXT	Use to select external input or antenna
MENU	Use to view your LPD's main menu.
GUIDE	Use to view the program guide.
TV/VCR	Use to switch between TV or LPD.
REPEAT	Use to repeat a chapter.
EXIT	Use to exit display or menu.
INFO	Use to display graphical user interface or other information.
SELECT	Use to select menu and remote control programming options.
TITLE	Use to go to LDP's main title.
SUBTITLE	Use to select subtitle options.
LANG	Use to select language options.
ANALOG	Use to select analog outputs.
Arrows	Use up/down/left/right cursor arrows to move through menu and programming options.
FF, REW, PLAY, STOP, PAUSE, and REC	Use to control LPD transport.
Number Keypad	Use 0–9 to enter track numbers.
+10	Use to enter track numbers greater than 10.

Control	Function
ENTER	Use to enter channel numbers on some LPD models.
MODE SHIFT	Use to select a different mode.
Mode Keys	Use TV, VCR/DVD, CAB/SAT, RECVR, AUX 1, AUX 2, AUX 3, and AUX 4 to select devices. Use THEATER to select Home Theater mode. Use SET 1, SET 2, and SET 3 to run programmed macros in Home Theater mode.

MISC (Miscellaneous Audio Service) Controls

Control	Function
BAND	Use to select the radio band.
MENU	Use to view your miscellaneous audio service's main menu.
RDM	Use to activate random play.
INPUT	Use to listen to an input signal.
EXIT	Use to exit display or menu.
INFO	Use to display graphical user interface or other information.
SELECT	Use to select menu and remote control programming options.
Arrows	Use up/down/left/right cursor arrows to move through menu and programming options.
ADJ +/-	Use to adjust surround sound volume.
FF, REW, PLAY, STOP, PAUSE, and REC	Use to control a miscellaneous audio device (if available).
SURR	Use to activate surround sound feature.
ANALOG	Use to select analog inputs/outputs.
DIGITAL	Use to select digital inputs/outputs.
REPEAT	Use to repeat play a track.
Number Keypad	Use to enter numbers or select Source 1–10 as input source.
+10	Use to enter numbers greater than 10.

Control	Function
DISC	Use to select different CD or skip CD.
MODE SHIFT	Use to select a different mode.
Mode Keys	Use TV, VCR/DVD, CAB/SAT, RECVR, AUX 1, AUX 2, AUX 3, and AUX 4 to select devices. Use THEATER to select Home Theater mode. Use SET 1, SET 2, and SET 3 to run programmed macros in Home Theater mode.

SAT (Satellite Receiver) Controls

Control	Function
EXT	Use to select external input or antenna.
MENU	Use to view your satellite's main menu.
GUIDE	Use to view the program guide.
SELECT	Use to select menu and remote control programming options.
TV/VCR	Use to switch between TV and VCR.
FF, REW, PLAY, STOP, PAUSE, and REC	Use to control CD or audio cassette devices.
FAV	Use with Favorite Channel Scan (see "Programming Favorite Channel Scan" on Page 26).
EXIT	Use to exit display or menu.
INFO	Use to display graphical user interface or other information.
Arrows	Use up/down/left/right cursor arrows to move through menu and programming options.
PG +/-	Use to page up or down through menu or guide pages.
SURR	Use to activate surround sound volume.
CC	Use to select closed caption feature.
SAP	Use to activate a secondary audio channel.
LAST	Use to view the last-viewed channel.
Keypad	Use 0-9 to enter channel numbers.

Control	Function
ENTER	Use to enter channel numbers on some TV models.
MODE SHIFT	Use to select a different mode.
Mode Keys	Use TV , VCR/DVD , CAB/SAT , RECVR , AUX 1 , AUX 2 , AUX 3 , and AUX 4 to select devices. Use THEATER to select Home Theater mode. Use SET 1 , SET 2 , and SET 3 to run programmed macros in Home Theater mode.

TAPE (Audio Cassette) Controls

Control	Function
EXT	Use to select external input or antenna.
A/B	Use to switch between A and B decks.
SELECT	Use to select menu and remote control programming options.
Arrows	Use up/down/ cursor arrows to move through menu and programming options.
FF, REW, PLAY, STOP, PAUSE, and REC	Use to control tape transports.
REPEAT	Use to repeat play a tape track (if available).
Keypad	Use 0–9 to enter track numbers.
+10	Use to enter track numbers greater than 10.
MODE SHIFT	Use to select a different mode.
Mode Keys	Use TV , VCR/DVD , CAB/SAT , RECVR , AUX 1 , AUX 2 , AUX 3 , and AUX 4 to select devices. Use THEATER to select Home Theater mode. Use SET 1 , SET 2 , and SET 3 to run programmed macros in Home Theater mode.

TUN (Audio Receiver) Controls

Control	Function
BAND	Use to select the radio band.
MENU	Use to view your tuner's main menu.
RDM	Use to activate random play.
INPUT	Use to listen to an input signal connected to the amplifier.
EXIT	Use to exit display or menu.
INFO	Use to display graphical user interface or other information.
SELECT	Use to select menu and remote control programming options.
Arrows	Use up/down/left/right cursor arrows to move through menu and programming options.
ADJ +/-	Use to adjust surround sound volume.
FF, REW, PLAY, STOP, PAUSE, and REC	Use to control CD or audio cassette devices.
SURR	Use to activate surround sound feature.
ANALOG	Use to select analog inputs/outputs.
DIGITAL	Use to select digital inputs/outputs.
REPEAT	Use to repeat play a CD or tape track (if available).
Keypad	Use to enter numbers or select Source 1-10 as input source.
+10	Use to enter numbers greater than 10.
DISC	Use to select different CD or skip CD.
MODE SHIFT	Use to select a different mode.
Mode Keys	Use TV, VCR/DVD, CAB/SAT, RECVR, AUX 1, AUX 2, AUX 3, and AUX 4 to select devices. Use THEATER to select Home Theater mode. Use SET 1, SET 2, and SET 3 to run programmed macros in Home Theater mode.

TV (Television) Controls

Control	Function
EXT	Use to select external input.
MENU	Use to view your TV's main menu.
GUIDE	Use to view the program guide.
INPUT	Use to view an input signal connected to the TV.
EXIT	Use to exit display or menu.
INFO	Use to display graphical user interface or other information.
SELECT	Use to select menu and remote control programming options.
Arrows	Use up/down/left/right cursor arrows to move through menu and programming options.
ADJ +/-	Use to adjust PIP channel +/- or picture.
PIP	Use to activate picture-in-picture (PIP).
SWAP	In PIP mode, use to swap small picture with large picture.
MOVE	In PIP mode, use to move small picture to different points on TV screen.
SURR	Use to activate surround sound volume.
CC	Use to select closed caption feature.
SLEEP	Use to select sleep timer feature.
SAP	Use to activate a secondary audio channel.
WIDE	Use to select widescreen (16:9) format.
LAST	Use to view the last-viewed channel.
Keypad	Use 0-9 to enter channel numbers.
+100	Use to enter channel numbers greater than 100.
ENTER	Use to enter channel numbers on some TV models.
MODE SHIFT	Use to select a different mode.

Control	Function
Mode Keys	Use TV , VCR/DVD , CAB/SAT , RECVR , AUX 1 , AUX 2 , AUX 3 , and AUX 4 to select devices. Use THEATER to select Home Theater mode. Use SET 1 , SET 2 , and SET 3 to run programmed macros in Home Theater mode.

VCR (Video Cassette Recorder) Controls

Control	Function
EXT	Use to select external input.
MENU	Use to view your VCR's main menu.
GUIDE	Use to view the program guide.
TV/VCR	Use to switch between TV and VCR.
EXIT	Use to exit display or menu.
INFO	Use to display graphical user interface or other information.
LAST	Use to revert to the last-viewed channel.
SELECT	Use to select menu and remote control programming options.
Arrows	Use up/down/left/right cursor arrows to move through menu and programming options.
ADJ +/-	Use to adjust tracking+/-.
SURR	Use to activate surround sound.
REPLAY	Use to select replay (for hard disc recorders).
LIVE	Use to return to live broadcast (for hard disc recorders).
FF, REW, PLAY, STOP, PAUSE, and REC	Use to control VCR transports.
Keypad	Use 0-9 to enter channel numbers.
+100	Use to enter channel numbers greater than 100.
ENTER	Use to enter channel numbers on some VCR models.
MODE SHIFT	Use to select a different mode.

Control	Function
Mode Keys	Use TV , VCR/DVD , CAB/SAT , RECVR , AUX 1 , AUX 2 , AUX 3 , and AUX 4 to select devices. Use THEATER to select Home Theater mode. Use SET 1 , SET 2 , and SET 3 to run programmed macros in Home Theater mode.

VID (Video Accessory) Controls

Control	Function
EXT	Use to select DTV (digital TV).
MENU	Use to view the main menu.
GUIDE	Use to view the program guide.
INPUT	Use to view an input signal connected to the video accessory.
SELECT	Use to select menu and remote control programming options.
EXIT	Use to exit display or menu.
INFO	Use to display graphical user interface or other information.
Arrows	Use up/down/left/right cursor arrows to move through menu and programming options.
PG +/-	Use to page up or down through menu pages.
SURR	Use to activate surround sound.
CC	Use to select closed caption feature.
SAP	Use to activate a secondary audio channel.
FF, REW, PLAY, STOP, PAUSE, and REC	Use to control VOD (video on demand).
LAST	Use to view the last-viewed channel.
Keypad	Use 0–9 to enter channel numbers.
+100	Use to enter channel numbers greater than 100.
ENTER	Use to enter channel numbers on some video accessory models.
MODE SHIFT	Use to select a different mode.

Control	Function
Mode Keys	Use TV , VCR/DVD , CAB/SAT , RECVR , AUX 1 , AUX 2 , AUX 3 , and AUX 4 to select devices. Use THEATER to select Home Theater mode. Use SET 1 , SET 2 , and SET 3 to run programmed macros in Home Theater mode.

Preparation

If you have any problems programming your remote, call customer service at 888-269-8705.

INSTALLING BATTERIES

Your remote requires four AAA batteries (not supplied) for power. For the best performance and longest life, we recommend RadioShack alkaline batteries.

Cautions:

- Use only fresh batteries of the required size and recommended type.
- Do not mix old and new batteries or different types of batteries (standard or alkaline).

Follow these steps to install batteries.

1. Push in the battery compartment cover's tab and lift off the cover.
2. Place the batteries in the compartment as indicated by the polarity symbols (+ and -) marked inside.
3. Replace the cover. The tab should click when the cover is locked.

If the batteries are inserted correctly, the entire touch screen display becomes active. After few seconds of inactivity, the touch screen turns off to conserve battery life.

When **LOW BATT** appears or the remote stops operating properly, replace the batteries.

Warning: Dispose of old batteries promptly and properly. Do not burn or bury them.

Caution: If you do not plan to use the remote for a month or longer, remove the batteries. Batteries can leak chemicals that can destroy electronic parts.

SETTING THE CLOCK

Note: You must reset the clock each time you replace the batteries.

1. Hold down **P** for at least 3 seconds. **CODE SET** appears.

Note: To exit setup at any time, hold down **P** again for at least 3 seconds. **EXITING** appears, followed by the last-used mode screen.

2. Touch the down arrow six times until **CLOCK SET** appears.

Note: If you scroll past **CLOCK SET**, touch the up arrow to scroll to it.

3. Touch **SELECT**. The day and time appear and the day flashes.
4. Repeatedly touch the up or down arrows until the current day appears. Touch **SELECT**. The hour flashes.
5. Repeatedly touch the up or down arrows until the current hour (and **AM** or **PM**) appears. Touch **SELECT**. The minute digit flashes.
6. Repeatedly touch the up or down arrows until the current minute appears. Touch **SELECT**. The day flashes.
7. If you made an error, repeat Steps 4–6 to correctly set the values.

- To save the settings, hold down **SELECT** until **SUCCESS** appears. **EXITING** appears, then the last-used screen.

ADJUSTING SOUND

Your remote has three alert beep tones.

Tone	Type of Alert
One low tone	Valid key press or touch
One high tone	Invalid key press or touch
Double low tone	Valid mode key touch

Sound is preset to On. Follow these steps to turn sound off or on.

- Hold down **P** for at least 3 seconds. **CODE SET** appears.

Note: To exit setup, hold down **P** for at least 3 seconds. **EXITING** appears, then the last-used mode screen.

- Touch the up arrow. **SOUND** appears.

Note: If you scroll past **SOUND**, touch the down arrow to return to it.

- Touch **SELECT**. **On** or **Off** appears.

Note: If you change your mind, touch the up or down arrows until you see **On**, then continue with Step 4.

- Touch **SELECT**. **SUCCESS** appears, then **EXITING**, then the last-used mode screen.

SETTING UP THE REMOTE

Note: If no key is pressed for 60 seconds, the remote control automatically exits setup. **EXITING** appears, and the remote returns to the previous mode screen.

- Find the codes for your device(s) in "Manufacturers' Codes" on Page 47. On the supplied label, write

down the codes for the brand of each device you want to program.

Note: Some manufacturers may have several codes listed. Try each until you find the right one. If you cannot find the correct code, see “Manufacturer Code Search” on Page 25.

2. Turn on all home entertainment devices.
3. Hold down **P** for at least 3 seconds. **CODE SET** appears.
4. Touch **SELECT**. The last selected mode appears.

Note: To exit this mode at any time, hold down **P** again for at least 3 seconds. **EXITING** appears, then the last-used mode screen.

5. Touch the desired mode key (**TV**, **VCR/DVD**, **CAB/SAT**, **RECVR**, **AUX 1**, **AUX 2**, **AUX 3**, or **AUX 4**). The default or previously set device and code appear.
6. If the displayed device is not the desired type, use the up or down arrows to scroll to a device you want. Then touch **SELECT**. The selected device and its (default or previously set) code appear.

Note: There are 13 different devices available for setup. Refer to “A Quick Look at the Keys” on Page 6 for additional information on a desired device.

7. Using the keypad, enter the first 4-digit manufacturer’s code for the desired device and then touch **SELECT**. If you’ve entered a correct code, **SUCCESS** appears.

*If the code is not correct, **NOT FOUND** appears instead. Enter the next code until **SUCCESS** appears.*

Note: For TV/VCR combinations, touch **VCR/DVD** in Step 4 and use the VCR code listed for your model under “TV/VCR Combo Codes” on Page 60. If your TV/VCR combination also lists a TV code, you must program the TV separately by repeating Steps 4

and 5 to add volume control. In Step 3, press **TV**; then in Step 4, enter the TV code.

8. Point the remote control at the device you want to control and press **POWER**. The device should turn off. Try other remote control keys to see if they also function properly.

If the remote control does not operate all your device's functions, try the other codes listed in "Manufacturers' Codes" on Page 47 for your brand of device. Otherwise, use the search method to find a working code (see "Manufacturer Code Search").

If only a few functions do not seem to work, try learning those keys (see "Learning a Function" on Page 40).

9. Repeat Steps 3 through 7 to set up other devices.

To exit the programming mode, hold down **P** for at least 3 seconds. **EXITING** appears. The remote control returns to the last-used mode screen.

MANUFACTURER CODE SEARCH

If your home entertainment device does not respond to remote control commands after trying all of the codes listed for your brand, or if your brand is not listed at all, try searching for your code using the following procedure.

Note: If no key is pressed for 60 seconds, the remote control automatically exits setup. **EXITING** appears, and the remote returns to the previous mode screen.


Follow these steps to search for your code.


1. Turn on all home entertainment devices.
2. Touch a mode key (**TV**, **VCR/DVD**, **CAB/SAT**, **RECVR**, **AUX 1**, **AUX 2**, **AUX 3**, or **AUX 4**) you want to set up. The default or previously set device and code appear.
3. Hold down **P** for at least 3 seconds. **CODE SET** appears.

Note: To exit setup, hold down **P** for at least 3 seconds. **EXITING** appears, then the last-used mode screen.

4. Touch the down arrow. **CODE SET** changes to **SEARCH**.

Note: If you scroll past **SEARCH**, touch the up arrow to return to it.

5. Touch **SELECT**. The last selected mode and its (default or previously set) code appear.
6. If needed, touch the up arrow (or down) to scroll up (or down) to the desired device.
7. Point the remote control at the desired device, then touch **SELECT**. The red light and  flash.

If the device does not respond, continue pointing the remote control at the desired device and touch the up (or down) arrow to scroll up (or down) to the next code in the library. A new code appears, and the red light and  flash.

Repeat this step until you find a working code.

Note: The search is complete when all possible codes have been tried. **END CYCLE** appears, then **EXITING**. The remote control exits the program and returns to the last-used mode.

8. Once you have found a working code, touch **SELECT**. **SUCCESS** appears, then **EXITING**, then the last-used mode screen.

To find a code for another device, repeat Steps 2–8.

PROGRAMMING FAVORITE CHANNEL SCAN

You can program the remote control to scan up to ten favorite channels.

Only devices with television tuners can be programmed for Favorite Channel Scan, including televisions, VCRs, and cable/satellite receivers. If you select another type of device (receiver, DVD or CD player, and so on), **INVALID** appears. An auxiliary device can be selected as

long as it has been set up as a television, VCR, cable box, or satellite receiver).

Important: If you program Favorite Channel Scan, you can no longer use **SCAN** for Channel Scan (see “Using Channel Scan” on Page 37). If you want to use the remote for Channel Scan after you have programmed it for Favorite Channel Scan, you must reset the entire operation of the remote (see “Using Operation Reset” on Page 44). You lose all stored information.

Note: If no key is pressed for 60 seconds, the remote control automatically exits setup. **EXITING** appears, and the remote returns to the previous mode screen.

Follow these steps to program Favorite Channel Scan.

1. Hold down **P** for at least 3 seconds. **CODE SET** appears.

Note: To exit setup, hold down **P** again for at least 3 seconds. **EXITING** appears, then the last-used mode screen.

2. Touch the up arrow twice. **FAV CHAN** appears.

Note: If you scroll past **FAV CHAN**, touch the down arrow to return to it.

3. Touch **SELECT**. The last selected mode appears.
4. Touch a device key (**TV**, **VCR/DVD**, **CAB/SAT**, **AUX 1**, **AUX 2**, **AUX 3**, or **AUX 4**). The selected mode appears.

5. Touch **SELECT**. **ENT CHAN** appears.

6. Enter a favorite channel by touching the corresponding numbers on the keypad. To accept the entry, touch **SELECT**. **ENT CHAN** appears.

Note: A channel number can be up to four digits (for example, 2, 13, 132, or 1024).

7. Repeat Step 6 up to nine more times to enter other favorite channels for the same device.

Important: You can store up to 10 channels. If you store ten channels, the remote control will automatically exit the program. **SUCCESS** appears, then **EXITING**. If you want to store less than 10 channels, hold down **SELECT** for at least 3 seconds after entering the last desired channel. **SUCCESS** appears, then **EXITING**.

PROGRAMMING MACROS

Your remote control has three macro keys (**1M**, **2M**, and **3M**) you can use to program commonly-used operations.

You can store up to 15 keystrokes (including learned keys) on each macro key. For example, you can create a macro that will instantly power on the TV and cable box and then tune-in a favorite channel.

1. Turn off all home entertainment devices.
2. Hold down **P** for at least 3 seconds. **CODE SET** appears.
3. Touch the down arrow four times. **MACRO KEY** appears.

Note: If you scroll past **MACRO KEY**, touch the up arrow to return to it.

4. Touch **SELECT**. **SEL MACRO** appears.
5. Press a macro key (**1M**, **2M**, or **3M**). **ENT MACRO** appears. For the example, press **1M**.

Note: Pressing a previously-programmed macro key will overwrite its contents.

6. Press the appropriate keys in the desired order.

For the example, entering the following keys in the below order to program **1M** to turn on the TV and cable box, then tune the cable to channel 061.

Touch **TV**. **SEL TO END** appears.

Note: **SEL TO END** prompts you to press **SELECT** when you reach the end of the macro sequence you are entering.

Press **POWER** to turn on the TV.

Touch **CAB/SAT** to select the cable box.

Press **POWER** to turn on the cable box.

Touch **0 6 1** to enter the channel.

Hold down **SELECT** until **SUCCESS** appears. **EXITING** appears, then the last-used mode screen.

Deleting a Macro

Note: If no key is pressed for 60 seconds, the remote control automatically exits setup. **EXITING** appears, and the remote returns to the previous mode screen.

Follow these steps to delete a macro.

1. Hold down **P** for at least 3 seconds. **CODE SET** appears.

Note: To exit setup, hold down **P** for at least 3 seconds. **EXITING** appears, then the last-used mode screen.

2. Touch the down arrow four times. **MACRO KEY** appears.

Note: If you scroll past the desired macro key (**1M**, **2M**, or **3M**), touch the up arrow to return to it.

3. Touch **SELECT**. **SEL MACRO** appears.
4. Select the macro key (**1M**, **2M**, or **3M**) you want to delete and press it once. **EXIT MACRO** appears.
5. Hold down **SELECT** until **SUCCESS** appears. This action overwrites the existing data with no data. **EXITING** appears, then the last-used mode screen.

PROGRAMMING HOME THEATER MODE

Your remote control includes a custom Home Theater mode that allows you to access four groups of remote control keys without changing device modes. Moreover,

three macro keys are included for exclusive use in the Home Theater mode.

Control Groups

The remote control keys you can combine for Home Theater mode are divided into the following four control groups:

Menu Controls — MENU, SELECT, up/down/left/right arrows, EXIT, GUIDE, PG +, PG –

Audio Controls — VOL+, VOL–, MUTE, and SURR

Channel Controls — CH+, CH–, Number Keypad 0–9, LAST, INPUT, TV/VCR, INFO, +100, ENTER, DISC, EXT, and BAND

Playback Controls — PLAY, STOP, FF, REW, PAUSE, REC, REPLAY, and LIVE

Note: POWER is inactive in the Home Theater mode.

Device Groups

The four control groups can be assigned to the following home theater devices:

Menu Controls — TV, VCR, CAB (Cable Box), SAT (Satellite Receiver), DVD, CD, RECVR (Tuner or Audio Receiver), Amp (Audio Amplifier), and VID (Video Accessory)

Audio Controls —TV, VCR, CAB (Cable Box), CD, RECVR (Tuner or Audio Receiver), and AMP (Tuner or Audio Amplifier)

Channel Controls — TV, VCR, CAB (Cable Box), SAT (Satellite Receiver), RECVR (Audio Receiver), AMP (Audio Amplifier), and VID (Video Accessory)

Playback Controls — VCR, CAB (Cable Box), DVD, CD, and RECVR (Audio Receiver)

Setting Up Home Theater

1. Turn on all home entertainment devices.

2. Hold down **P** for at least 3 seconds. **CODE SET** appears.

Note: To exit setup, hold down **P** again for at least 3 seconds. **EXITING** appears, then the last-used mode screen.

3. Touch the up arrow three times. **THEATER** appears.

Note: If you scroll past **THEATER**, touch the down arrow to return to it.

4. Touch **SELECT. PLAYBACK** appears.

5. Press **SELECT** again. A device appears (for example, **TV**). Using the mode keys, touch a device (for example, **DVD**) whose playback controls you want to control in Home Theater mode. Then touch **SELECT. AUDIO** appears.

6. Press **SELECT** again. A device appears (for example, **TV**). Using the mode keys, touch a device (for example, **RECVR**) whose audio controls you want to control in Home Theater mode. Then touch **SELECT. CHANNEL** appears.

7. Press **SELECT** again. A device appears (for example, **TV**). Using the mode keys, touch a device (for example, **TV**) whose channel controls you want to control in Home Theater mode. Then touch **SELECT. MENU** appears.

8. Press **SELECT** again. A device appears (for example, **TV**). Using the mode keys, touch a device (for example, **TV**) whose menu controls you want to control in Home Theater mode. Then touch **SELECT. PLAYBACK** appears.

9. Hold down **SELECT** until **SUCCESS** appears. **EXITING** appears, then the last-used mode screen.

If you want to change any of the operations, repeat Steps 1–9.

Programming Home Theater Macros

The Home Theater mode also includes three exclusive macro keys (**SET 1**, **SET 2**, and **SET 3**). You can store up to 15 keystrokes (including learned keys) on each macro key. For example, you can create a macro that powers on each device in your home theater system with the convenience of a single key touch.

Note: Macros can include learned keys, but not moved keys.

1. Turn off all home entertainment devices.
2. Hold down **P** for at least 3 seconds. **CODE SET** appears.
3. Touch the down arrow four times. **MACRO KEY** appears.

Note: If you scroll past **MACRO KEY**, touch the up arrow to return to it.

4. Touch **SELECT**. **SEL MACRO** appears.
5. Press a macro key (**SET 1**, **SET 2**, or **SET 3**). **ENT MACRO** appears. For the example, press **SET 1**.

Note: Pressing a previously-programmed macro key will overwrite its contents.

6. Press the appropriate keys in the desired order.

For the example, entering the following keys in the below order to program **SET 1** to turn on the TV and cable box, then tune the cable to channel 061.

Touch **TV**. **SEL TO END** appears.

Note: **SEL TO END** prompts you to press **SELECT** when you reach the end of the macro sequence you are entering.

Press **POWER** to turn on the TV.

Touch **CAB/SAT** to select the cable box.

Press **POWER** to turn on the cable box.

Enter the channel **0 6 1** by touching each key.

Hold down **SELECT** until **SUCCESS** appears. **EXITING** appears, then the last-used mode screen.

PROGRAMMING A TIMED MACRO SEQUENCE

You can use timed macro sequences to store up to 15 keystrokes (including learned keys) to be run on a specific day and time.

You can also use timed macro sequences to turn on a device for a preset time period on a daily or weekly basis. For example, you can use it as an alternative method of recording an hour-long soap opera (that starts at 2:00 PM on Channel 4, each weekday) on your VCR.

Note: If no key is pressed for 60 seconds, the remote control automatically exits setup. **EXITING** appears, and the remote returns to the previous mode screen.

Follow these steps to program a timed macro sequence.

1. Turn on all home entertainment devices.
2. Hold down **P** for at least 3 seconds. **CODE SET** appears.

Note: To exit setup, hold down **P** for at least 3 seconds. **EXITING** appears, then the last-used mode screen.

3. Touch the up arrow four times. **MACRO SEQ** appears.

Note: If you scroll past **MACRO SEQ**, touch the down arrow to return to it.

4. Touch **SELECT**. **BEG TIME** appears. The day and time appear, with the day flashing.
5. Enter the beginning day and time of your TV program. For this example, enter the following data:

Touch the up or down arrow until the desired day appears (for the example, scroll to **m-F**). Touch **SELECT**. The hour flashes.

Touch the up or down arrow until the desired hour appears (and **AM** or **PM**). For the example, scroll to **2 PM**. Touch **SELECT**. The minutes flash.

Touch the up or down arrow until the desired minutes appear (for the example, scroll to **00**). Touch **SELECT**. The day flashes.

Verify the desired day and time. If needed, repeat Step 5 to correctly set the values.

To save the beginning day and time settings, hold down **SELECT** until **BEG MACRO** appears. Then **ENT MACRO** appears.

6. Enter the next step of the macro sequence. For the example, you have entered the beginning time for the macro and you must now program the VCR to turn on and record your television show. Enter the following data:

Touch the mode key of the desired device (for the example, touch **VCR/DVD**). **SEL TO END** appears and remains on the screen until you finish programming this step of the macro.

Press **POWER** to turn on the VCR.

Touch **0 4** to enter channel 04.

Touch **REC**.

Hold down **SELECT** until **END TIME** appears.

Enter the ending day and time when your TV program stops.

Note: If you have chosen **m-F** as the beginning day, the day field cannot be changed.

Touch the up or down arrow until the desired day appears (for the example, scroll to **m-F**). Touch **SELECT**. The hour flashes.

Touch the up or down arrow until the desired hour appears (AM or PM). For the example, scroll to **3 PM**. Touch **SELECT**. The minutes flash.

Touch the up or down arrow until the desired minutes appear (for the example, scroll to **00**). Touch **SELECT**. The day flashes.

Verify the desired day and time. If needed, repeat Step 6 to correctly set the values.

To save the beginning day and time settings, hold down **SELECT** until **END MACRO** appears. Then **ENT MACRO** appear.

7. Enter the ending macro sequence. For the example, follow these steps:

Touch **VCR/DVD** to select the VCR. **SEL TO END** appears.

Press **POWER** to turn off the VCR.

8. To save the macro, hold down **SELECT** until **SUCCESS** appears. **EXITING** and **P** appear, followed by the last-used mode screen.

□ **Operation**

If you have any problems operating your remote, call customer service at 888-269-8705.

SELECTING A DEVICE

Once you have programmed your remote control, use the following steps to become familiar with the selection and control of your devices.

1. Pick up the remote control or touch the touch screen once, anywhere on the screen, to activate the display. The default mode is set to TV.

Note: When the remote control is not in use, the touch screen turns off after a preset time to conserve battery life. When activated, the remote control remembers and displays the last-used mode.

2. Point the remote control at the device you want to control.
3. Using the Mode Keys, touch a desired device key (for example, **VCR/DVD**). If necessary, touch the **MODE SHIFT** key repeatedly to display other device choices. The selected device appears, along with the appropriate remote control keys. Refer to "A Quick Look at the Keys" on Page 6 to view lists of the available keys for each device.

CONTROLLING A SELECTED DEVICE

Press or touch the appropriate hard and soft keys to control a desired function. For example, from the VCR mode, press **POWER** (hard key) to turn on the VCR. Then insert a tape and touch **PLAY** (soft key) to start playback.

Refer to "A Quick Look at the Keys" on Page 6 for tables of the available keys for each device and their functions.

Note: The selected device will not respond if it has not been set up. Check the following table to see if the default factory settings cover any of your system devices. If

not, set up your entertainment devices (see "Setting Up The Remote" on Page 23).

Mode Key	Default Brand (Model)
TV	RCA (T0047)
VCR/DVD	RCA (V0060)
CAB/SAT	RCA (C0476)
RECVR	Pioneer (R1023)
AUX 1	Panasonic TV (T0250)
AUX 2	Pioneer DVD (Y0525)
AUX 3	RCA SAT (S0566)
AUX 4	Pioneer CD (D0032)

USING CHANNEL SCAN

If you have not programmed your remote for Favorite Channel Scan, you can use **SCAN** to scan all channels of the desired device.

Press **SCAN** to begin scanning. To stop scanning on the desired channel, press **SCAN** again.

Important: If you program Favorite Channel Scan, you can no longer use **SCAN** for Channel Scan. If you want to use the remote for Channel Scan after you have programmed it for Favorite Channel Scan, you must reset the entire operation of the remote (see "Using Operation Reset" on Page 44). You lose all stored information.

USING FAVORITE CHANNEL SCAN

Select the desired device using the mode keys. Then aim the remote control at the device and press **SCAN**. Previews of your favorite channels at 3-second intervals. Press **SCAN** again to stop the scan on a desired channel.

USING A MACRO

Aim the remote control at the devices and press the programmed macro key (see "Programming Macros" on Page 28).

USING HOME THEATER

1. Touch **MODE SHIFT** one or more times until the **THEATER** key appears.
2. Touch **THEATER**. Your custom set of Home Theater remote control keys appear.
3. Use the keys as usual. The keys operate only the devices you assigned them to. For example, if you assigned the playback keys to your VCR, any time you press **PLAY** (or any other key from the menu controls) the VCR plays. **PLAY** no longer operates your DVD or other devices.
4. To exit Home Theater mode, press the device key (for example, **VCR/DVD**) of the desired mode. If necessary, touch the **MODE SHIFT** key repeatedly to display other device choices.

USING A TIMED MACRO SEQUENCE

To use a Timed Macro Sequence, place the remote control so it faces the device used in the macro. In the example, aim the remote control at the VCR.

At the appropriate time, the macro sequence will automatically run to turn on the VCR, record the show, and then turn off the VCR.

USING VOLUME LOCK

Your remote control's Volume Lock is preset to unlock. Pressing the volume and mute keys directly controls the volume of the currently-selected device. If you change to another mode, the volume controls automatically transfer to the newly-selected device.

However, you may want to lock the volume controls to one or more modes. For example, you can lock the volume controls to the TV mode. This way, TV volume is always controllable no matter what mode is selected.

Locking the Volume

Note: If no key is pressed for 60 seconds, the remote control automatically exits setup. **EXITING** appears, and the remote returns to the previous mode screen.

1. Turn on all home entertainment devices.
2. Hold down **P** for at least 3 seconds. **CODE SET** appears.

Note: To exit setup, hold down **P** for at least 3 seconds. **EXITING** appears, then the last-used mode screen.

3. Touch the down arrow seven times. **VOL LOCK** appears.

Note: If you scroll past **VOL LOCK**, touch the up arrow to return to it.

4. Touch **SELECT. TO MODE** appears.
5. Touch a mode once (for example, **TV**) where you want the volume controls to be locked. **SUCCESS** appears, then **EXITING**, then the last-used mode screen.

Unlocking the Volume

When no key is pressed for 60 seconds, the remote control automatically exits setup. **EXITING** appears, and the remote returns to the previous mode screen.

1. Hold down **P** for at least 3 seconds. **CODE SET** appears.

Note: To exit setup, hold down **P** for at least 3 seconds. **EXITING** appears, then the last-used mode screen.

2. Touch the down arrow eight times. **VOL UNLOCK** appears.

Note: If you scroll past **VOL UNLOCK**, touch the up arrow to return to it.

3. Touch **SELECT. ALL MODE** appears.
4. To unlock all modes, touch **SELECT. UNLOCKED** appears, then **EXITING**, then the last-used mode screen.

To unlock individual modes, touch the up or down arrow. **ONE MODE** appears. Press **SELECT. SEL MODE** appears. Touch a mode (for example, **TV**) where you want the volume controls to be unlocked. **UNLOCKED** appears, then **SEL MODE**.

Note: If the mode is already unlocked, an error beep sounds and **INVALID** appears.

To unlock another mode, repeat Step 4 as often as needed.

5. To exit the program, hold down **P** until **EXITING** appears. The last-used mode screen appears.

USING LEARNING

Your remote control is equipped with a learning program so you can add a function unique to a home entertainment device (for example, tracking up or down for a VCR). You can skip this section if you are satisfied with the remote control operation on all devices.

Learning a Function

This method assumes all devices have been set up. If not, perform the instructions in "Setting Up The Remote" on Page 23. Also, have your original remote controls handy before programming learning.

Follow these steps to learn a function.

1. Select the mode key for the desired learning mode.
2. Hold down **P** for at least 3 seconds. **CODE SET** appears.

Note: To exit setup, hold down **P** for at least 3 seconds. **EXITING** appears, then the last-used mode screen.

3. Touch the down arrow two times. **LEARN** appears.

Note: If you scroll past **LEARN**, touch the up key to return to it.

4. Touch **SELECT**. The last selected mode appears.
5. If needed, touch a mode key to select a different device to be learned.
6. Place your original device's remote control head-to-head (about 2 inches apart) with the 8-In-One.

Note: For best results, use low-level ambient lighting and stay away from high levels of natural daylight or energy-efficient fluorescent lights.

7. On the original remote control, hold down the key you want to be learned. On the 8-In-One, touch a key where you want the learned data to reside. The red light flashes rapidly and **LEARNING** appears.

Note: Be sure to press (or touch) each key within 5 seconds. Otherwise, an error message appears as a reminder to perform the actions listed in this step.

If **INVALID** appears, the selected key cannot be learned.

If **SUCCESS** appears, the selected key was learned.

If there is a problem, **ERROR** appears. Repeat Step 6 until **SUCCESS** appears.

To learn other functions from the same device's remote control, repeat Steps 6 and 7.

8. To exit programming, hold down **P** for at least 3 seconds. **EXITING** appears, then the remote control returns to the last-used mode screen.

If desired, repeat Steps 2–8 to learn functions from a different device's remote control.

Deleting a Learned Function

Note: If no key is pressed for 60 seconds, the remote control automatically exits setup. **EXITING** appears, and the remote returns to the previous mode screen.

1. Hold down **P** for at least 3 seconds. **CODE SET** appears.

Note: To exit setup, hold down **P** for at least 3 seconds. **EXITING** appears, then the last-used mode screen.

2. Touch the down arrow key three times until **DEL LEARN** appears.

Note: If you scroll past **DEL LEARN**, touch the up arrow to return to it.

3. Touch **SELECT**. The last selected device appears.
4. If necessary, touch a device key (**TV**, **VCR/DVD**, **CAB/SAT**, **RECVR**, **AUX 1**, **AUX 2**, **AUX 3**, or **AUX 4**) that contains the learned function. The selected mode appears.

Note: Do not use the arrow keys to locate the desired device.

5. Touch the key that contains the learned data you want to delete. **DELETED** appears. If the key cannot be deleted, **INVALID** appears.

To delete other learned functions for the same device, repeat Step 5. To delete learned functions on other devices, repeat Steps 4 and 5.

6. To exit programming, hold down **P** for at least 3 seconds. **EXITING** appears, then the last-used mode screen.

USING KEY MOVER

Your remote control also includes a key mover feature that allows a key to be copied from one device to another, or to a different position in the same device mode.

Moving a Key

For example, follow these steps to copy **TV/VCR** from **VCR/DVD** mode and move it to an unused key in **TV** mode:

Note: If there is no activity for 60 seconds, the remote control automatically exits setup. **EXITING** appears, and the remote returns to the previous mode screen.

1. Hold down **P** for at least 3 seconds. **CODE SET** appears.

Note: To exit setup, hold down **P** again for at least 3 seconds. **EXITING** appears, then the last-used mode screen.

2. Touch the up arrow five times. **KEYMOVER** appears.

Note: If you scroll past **KEYMOVER**, touch the down arrow to return to it.

3. Touch **SELECT**. **FROM MODE** appears.

4. Touch the mode key where the function key resides (for the example, touch **DVD/VCR**). **FROM KEY** appears.

5. Touch the function key you want to copy (for the example, touch **TV/VCR**). **TO MODE** appears.

6. Touch the mode key where you want to place the copy (for the example, touch **TV**). **TO KEY** appears.

7. Touch an unused function key (for the example, touch **EXT**). **SUCCESS** appears. **EXITING** appears, then the last-used mode screen.

Deleting a Moved Key

1. Hold down **P** for at least 3 seconds. **CODE SET** appears.

Note: To exit setup, hold down **P** again for at least 3 seconds. **EXITING** appears, then the last-used mode screen.

2. Touch the up arrow five times. **KEYMOVER** appears.

Note: If you scroll past **KEYMOVER**, touch the down arrow to return to it.

3. Touch **SELECT. FROM MODE** appears.
4. Touch the mode key where the moved key to be deleted resides. **FROM KEY** appears.
5. Touch the function key you want to delete. **TO MODE** appears.
6. Repeat Steps 4 and 5 exactly. **DELETE** appears, then **EXITING**, then the last-used mode screen.

Note: Be sure to select the same mode and function keys you touched in Steps 4 and 5. By repeating this action, the stored data is overwritten using the “from” data to clear the original “to” settings.

USING OPERATION RESET

Operation Reset lets you clear all memory settings and return the unit to its original default values.

Important: Activating this feature completely erases all your stored settings, including device setups, macros, learned keys, and home theater macro sets.

Note: If no key is pressed for 60 seconds, the remote control automatically exits setup. **EXITING** appears, and the remote returns to the previous mode screen.

Follow these steps to activate Operation Reset.

1. Hold down **P** for at least 3 seconds. **CODE SET** appears.

Note: To exit setup, hold down **P** again for at least 3 seconds. **EXITING** appears, then the last-used mode screen.

2. Touch the down arrow five times until **OPS RESET** appears.

Note: If you scroll past **OPS RESET**, touch the up arrow to return to it.

3. Touch **SELECT. CLASETUP** appears.
4. Touch **SELECT. RESET RAM** appears, then **RESET E2**, then **EXITING**, then the last-used mode screen.

Troubleshooting

If the remote control stops working after you have successfully tested the control for each device, or if you are unable to get the remote control to work at all, do the following:

- Be sure you press the device key for the device you want to control before you press any other key.
- Confirm that your IR devices are working properly by using the original remote control or the manual controls.
- Replace the batteries.

If you have any other problems with your remote, call customer service at 888-269-8705.

Your RadioShack 8-In-One Touch Screen Remote Control does not have any user-serviceable parts. Opening the case, except for the battery cover, may cause permanent damage to your remote control.

CARE

Keep the remote dry; if it gets wet, wipe it dry immediately. Use and store the remote only in normal temperature environments. Handle the remote carefully; do not drop it. Keep the remote away from dust and dirt, and wipe it with a damp cloth occasionally to keep it looking new.

Modifying or tampering with the remote's internal components can cause a malfunction and might invalidate its warranty. If your remote is not performing as it should, take it to your local RadioShack store for assistance.

Manufacturers' Codes

Amplifier Codes

Brand	Codes
Carver	0269
Curtis Mathes	0300
Denon	0160
Linn	0269
Magnavox	0269
Marantz	0269
Optimus	0300, 0395, 0823
Panasonic	0308
Philips	0269
Pioneer	0013, 0300, 0823
Polk Audio	0269
RCA	0300
Realistic	0395
Technics	0308
Wards	0013

Audio Cassette Device Codes

Brand	Codes
Akai	0188, 0189
Carver	0261
Fisher	0261
Garrard	0300, 0439
Optimus	0027, 0220, 0300, 0318, 0439
Pioneer	0027, 0220
RCA	0027, 0220, 0261
Rotel	0174
Sanyo	0261
Sony	0243, 0170
Wards	0027

Audio Receiver Codes

Brand	Codes
ADC	0531
Admiral	0182
Aiwa	0158, 0121, 1089, 1405
Akai	0115
Capetronic	0531, 0690
Carver	0042, 0360, 1089, 1189
Casio	0195
Clarinette	0195
Curtis Mathes	0080
Denon	1104, 1160
Fisher	0042, 0219, 0360
Garrard	0286, 0440, 0744
Hanwah	0741
Harman/Kardon	0110
JBL	0110
JVC	0074
Jensen	0754
Kenwood	0027, 0186, 0042, 1027, 1313, 1569, 1570
Koss	0744
LXI	0181, 0744
Lloyd's	0195
MCS	0039
Magnavox	0531, 0195, 0364, 1089, 1189
Marantz	0039, 1089, 1189
Memorex	0335
Modulaire	0195
NTDE Geniesom	0744
Onkyo	0135
Optimus	0013, 0300, 0395, 0418, 0531, 0670, 0186, 0080, 0042, 0177, 0181, 0219, 0229, 0286, 0440, 0622, 0690, 0738, 0744, 0754, 0797, 0801, 0823, 0849, 1023, 1074

Brand	Codes
Orient Power	0744
Panasonic	0039, 1518
Penney	0195
Philips	1089, 1189, 1269
Pioneer	0531, 0014, 0080, 1023
Proscan	1254
Quasar	0039
RCA	0531, 0609, 0080, 0300, 0360, 1023, 1074, 1122, 1123, 1254
RadioShack	0744
Realistic	0195, 0001, 0025, 0163, 0177, 0178, 0181, 0182, 0534
Sansui	1089
Sanyo	0219, 0801
Schneider	0364
Scott	0163, 0418
Sharp	0186
Sony	0158, 0415, 1058, 1158, 1258
Soundesign	0670
Sunfire	1313
Symphonic	0182
Teac	0163
Technics	0039, 1308, 1309, 1518
Techwood	0364
Thorens	1189
Victor	0074
Wards	0158, 0014, 0080
Yamaha	0176, 0186, 1176
Yorx	0195
Zenith	0622, 0744

Cable Box Codes

Brand	Codes
ABC	0003, 0008

Brand	Codes
Allegro	0153, 0315
Antronix	0022, 0207
Archer	0153, 0022, 0207, 0797
Cabletenna	0022
Cableview	0022
Century	0153
Citizen	0153, 0315
Contec	0019
Emerson	0797
Everquest	0015
GC Electronics	0207
Garrard	0153
Gemini	0015, 0797
General Instrument	0476
GoldStar	0144
Goodmind	0797
Jasco	0015, 0153, 0315
Jerrold	0003, 0012, 0476, 0015
Memorex	0000
Movie Time	0063
NSC	0063
Oak	0019
Optimus	0021, 0797
Panasonic	0000, 0021
Paragon	0000
Philips	0153
Pioneer	0144, 0533, 0877
Pulsar	0000
Quasar	0000
RCA	0021
RadioShack	0015, 0303, 0315, 0797, 0883
Realistic	0207, 0153
Runco	0000

Brand	Codes
Samsung	0144
Scientific Atlanta	0008, 0477, 0877
Signal	0015
Sprucer	0021
Starcom	0003, 0015
Stargate	0015, 0797
Starquest	0015
TV86	0063
Tandy	0258
Tocom	0012
Toshiba	0000
Tusa	0015
Unika	0153, 0022, 0207
Universal	0153, 0022, 0207
Viewstar	0063, 0258
Zenith	0000, 0525

CD Player Codes

Brand	Codes
Adcom	0155
Aiwa	0157, 0124
Audio Alchemy	0194
BSR	0194
Burmester	0420
California Audio Labs	0029, 0303
Carrera	0194
Carver	0157, 0179, 0437
DKK	0000
Denon	0003, 0873
Emerson	0305, 0155, 0164
Fisher	0179, 0342
Garrard	0420, 0280

Brand	Codes
Genexxa	0032, 0305, 0164
Harman/Kardon	0157, 0173, 0426
Hitachi	0032, 0155
JVC	0072
Kenwood	0028, 0037, 0190, 0626, 0681, 0826
Krell	0157
LXI	0305
Linn	0157
MCS	0029
MTC	0420
Magnavox	0157, 0305
Marantz	0029, 0157, 0180, 0626
Mission	0157
NSM	0157
Nikko	0164
Onkyo	0101, 0868
Optimus	0000, 0032, 0179, 0305, 0037, 0420, 0145, 0468, 0175, 0194, 0196, 0280, 0342, 0426, 0437, 0536, 0671, 0775, 0850, 1063, 1075
Panasonic	0029, 0303
Parasound	0420, 0194
Philips	0157, 0626
Pioneer	0032, 0305, 0468, 1063
Polk Audio	0157
Proton	0157
QED	0157
Quasar	0029
RCA	0032, 0179, 0305, 0053, 0468, 0155, 1062
RadioShack	1083
Realistic	0179, 0420, 0155, 0164, 0175, 0180
Rotel	0157, 0420
SAE	0157
Sansui	0157, 0305

Brand	Codes
Sanyo	0179
Scott	0305, 0155, 0164
Sears	0305
Sharp	0037, 0180, 0861
Sherwood	0180, 0196, 0426, 1067
Sonic Frontiers	0157
Sony	0000, 0185, 0490
Soundesign	0145
Staron	0398
Tascam	0420
Teac	0420, 0180
Technics	0029, 0303
Vector Research	0194
Victor	0072
Wards	0157, 0053, 0559
Yamaha	0036, 0187, 0888

DVD Player Codes

Brand	Codes
Apex	0672
Denon	0490, 0634
Fisher	0670
GE	0522
Hitachi	0664
Hiteker	0672
JVC	0558, 0623
Kenwood	0534, 0682
Magnavox	0503, 0675
Marantz	0539
Mitsubishi	0521
Onkyo	0503
Optimus	0571
Panasonic	0490

Brand	Codes
Philips	0503, 0539
Pioneer	0525, 0571
Proscan	0522
RCA	0522, 0571, 0704
Samsung	0573
Sharp	0630
Sony	0533
Technics	0490
Theta Digital	0571
Toshiba	0503
Yamaha	0490, 0545
Zenith	0503, 0591

Home Automation Codes

Brand	Codes
GE	0240
One For All	0167
RadioShack	0240
Security System	0167
Universal X10	0167
X10	0167

LD (Laser Disc) Player Codes

Brand	Codes
Aiwa	0203
Denon	0059
Funai	0203
Mitsubishi	0059
NAD	0059
Optimus	0059
Pioneer	0059
Realistic	0203

Miscellaneous Audio Codes

Brand	Codes
Aiwa	0159
Sony	0159

Satellite Receiver Codes

Brand	Codes
AlphaStar	0772
Chaparral	0216
Echostar	0775, 1005
Expressvu	0775
General Instrument	0627, 0361, 0869
HTS	0775
Hitachi	0819
Hughes Network Systems	0749
JVC	0775
Jerrold	0627, 0361
Magnavox	0724, 0722
Memorex	0724
Next Level	0869
Panasonic	0701
Philips	0724, 0722, 1076
RCA	0566, 0143, 0392, 0855, 1107
RadioShack	0869
Sony	0639
Star Choice	0869
Toshiba	0749, 0790
Uniden	0724, 0722
Zenith	0856

TV Codes

Brand	Codes
A-Mark	0003
AOC	0030, 0019, 0003
Admiral	0093, 0463
Aiko	0092
Akai	0030
Alaron	0179
America Action	0180
Anam	0180
Archer	0003
Audiovox	0451, 0180, 0003, 0092, 0623
Baysonic	0180
Belcor	0019
Bell & Howell	0154, 0016
Bradford	0180
Brockwood	0019
Broksonic	0236, 0463, 0003
CXC	0180
Candle	0030, 0056
Carnivale	0030
Carver	0054
Celebrity	0000
Cineral	0451, 0092
Citizen	0060, 0030, 0056, 0092
Concerto	0056
Contec	0180
Craig	0180
Crosley	0054
Crown	0180
Curtis Mathes	0047, 0054, 0154, 0051, 0451, 0093, 0060, 0030, 0145, 0056, 0016, 0166, 0747, 1147, 1347
Daewoo	0451, 0019, 0092, 0623, 0624
Daytron	0019

Brand	Codes
Denon	0145
Dumont	0017, 0019
Dwin	0720
Electroband	0000
Electrohome	0409
Emerson	0154, 0236, 0463, 0180, 0178, 0019, 0179, 0623, 0624
Envision	0030
Fisher	0154
Fujitsu	0179
Funai	0180, 0179, 0171
Futuretech	0180
GE	0047, 0051, 0451, 0093, 0178, 0747, 1147, 1347
Gibraltar	0017, 0030, 0019
GoldStar	0030, 0178, 0019, 0056, 0409
Gradiente	0053, 0056
Grunpy	0180, 0179
Hallmark	0178
Harley Davidson	0179
Harman/Kardon	0054
Harvard	0180
Hitachi	0145, 0056, 0016, 0409
Infinity	0054
Inteq	0017
JBL	0054
JCB	0000
JVC	0053
KEC	0180
KTV	0180, 0030
Kenwood	0030, 0019
LG	0056
LXI	0047, 0054, 0154, 0156, 0178, 0747
Logik	0016

Brand	Codes
Luxman	0056
MGA	0150, 0030, 0178, 0019
MTC	0060, 0030, 0019, 0056
Magnavox	0054, 0030, 0179, 1254
Majestic	0016
Marantz	0054, 0030
Matsushita	0250
Megatron	0178, 0145, 0003
Memorex	0154, 0250, 0463, 0150, 0178, 0179, 0056, 0016, 0030
Midland	0047, 0017, 0051, 0747
Mitsubishi	0093, 0150, 0178, 0019
Motorola	0093
Multitech	0180
NAD	0156, 0178, 0166
NEC	0030, 0019, 0056
NTC	0092
Nikko	0030, 0178, 0092
Onwa	0180
Optimus	0154, 0250, 0166
Optonica	0093, 0165
Orion	0236, 0463, 0179
Panasonic	0051, 0250
Penney	0047, 0156, 0051, 0060, 0030, 0178, 0019, 0056, 0003, 0747, 1347
Philco	0054, 0463, 0030, 0145, 0019
Philips	0054
Pilot	0030, 0019
Pioneer	0166
Portland	0019, 0092
Prism	0051
Proscan	0047, 0747
Proton	0178, 0003
Pulsar	0017, 0019
Quasar	0051, 0250, 0165

Brand	Codes
RCA	0047, 0051, 0093, 0019, 0679, 0747, 1047, 1147, 1247, 1347, 1447
RadioShack	0047, 0154, 0165, 0180, 0030, 0178, 0019, 0056, 0409, 0747
Realistic	0154, 0165, 0180, 0030, 0178, 0019, 0056
Runco	0017, 0030
SSS	0180, 0019
Sampo	0030
Samsung	0060, 0030, 0178, 0019, 0056
Sansei	0451
Sansui	0463
Sanyo	0154
Scimitsu	0019
Scotch	0178
Scott	0236, 0180, 0178, 0019, 0179
Sears	0047, 0054, 0154, 0156, 0178, 0179, 0056, 0171, 0747
Semivox	0180
Semp	0156
Sharp	0093, 0165
Shogun	0019
Signature	0016
Sony	0000
Soundesign	0180, 0178, 0179
Spectricon	0003
Squareview	0171
Starlite	0180
Supreme	0000
Sylvania	0054, 0030
Symphonic	0171
TMK	0178, 0056
TNCi	0017
Tandy	0093
Tatung	0003

Brand	Codes
Technics	0051, 0250
Technol Ace	0179
Techwood	0051, 0056, 0003
Teknika	0054, 0180, 0150, 0060, 0019, 0179, 0056, 0016, 0092
Telefunken	0056
Toshiba	0154, 0156, 0060, 1256
Vector Research	0030
Victor	0053
Vidikron	0054
Vidtech	0178, 0019
Wards	0054, 0165, 0030, 0178, 0019, 0179, 0056, 0016
White Westinghouse	0463, 0623, 0624
Yamaha	0030, 0019
Zenith	0017, 0463, 0016, 0092, 0624
Zonda	0003

TV/VCR Combo Codes

Brand	Codes
Citizen	0278
Colt	0072
Curtis Mathes	0035 (for TV use 0051)
Daewoo	0278 (for TV use 0624)
Emerson	0278 (for TV use 0624)
Funai	0000
GE	0035 (for TV use 0051), 0048 (for TV use 0093), 0060 (for TV use 0047), 0240
GoldStar	0037 (for TV use 0056)
Harley Davidson	0000
Hitachi	0000
Lloyd's	0000
Magnasonic	0278

Brand	Codes
Magnavox	0000, 0081 (for TV use 0054)
Magnin	0240
Memorex	0037, 0162 (for TV use 0250), 1037, 1162, 1262
MGA	0240
Mitsubishi	0048 (for TV use 0093)
Optimus	0162 (for TV use 0250), 0593, 1162, 1262
Orion	0000
Panasonic	0035 (for TV use 0051), 0162 (for TV use 0250), 1162, 1262
Penney	0035 (for TV use 0051), 0037 (for TV use 0056), 0240
Quasar	0035 (for TV use 0051), 0162 (for TV use 0250)
RadioShack	1037
RCA	0035 (for TV use 0051), 0048 (for TV use 0093), 0060 (for TV use 0047), 0240
Sansui	0000
Sanyo	0240
Sears	0000, 0037 (for TV use 0056)
Sharp	0048 (for TV use 0093)
Sony	0000, 0032 (for TV use 0000)
Sylvania	0081 (for TV use 0054)
Symphonic	0000
Thomas	0000
White Westing-house	0278 (for TV use 0624)
Zenith	0000

VCR Codes

Brand	Codes
Admiral	0048, 0209
Adventura	0000
Aiko	0278

Brand	Codes
Aiwa	0037, 0000, 0307
America Action	0278
American High	0035
Asha	0240
Audiovox	0037
Beaumarck	240
Bell & Howell	104
Broksonic	0184, 0209
CCE	0072, 0278
Calix	0037
Canon	0035
Carver	0081
Cineral	0278
Citizen	0037, 0278
Colt	0072
Craig	0037, 0047, 0240, 0072, 0271
Curtis Mathes	0060, 0035, 0162
Cybernex	0240
Daewoo	0045, 0278
Denon	0042
Dynatech	0000
Electrohome	0037
Electroponic	0037
Emerex	0032
Emerson	0037, 0184, 0000, 0043, 0209, 0278
Fisher	0047, 0104, 0066
Fuji	0035
Funai	0000
GE	0060, 0035, 0048, 0240, 0202
Garrard	0000
Go Video	0432
GoldStar	0037, 0480
Gradiente	0000
HI-Q	0047

Brand	Codes
Harley Davidson	0000
Harman/Kardon	0081
Harwood	0072
Headquarter	0046
Hitachi	0000, 0042
Hughes Network Systems	0042
JVC	0067
KEC	0037, 0278
KLH	0072
Kenwood	0067
Kodak	0035, 0037
LXI	0037
Lloyd's	0000
Logik	0072
MEI	0035
MGA	0240, 0043
MGN Technology	0240
MTC	0240, 0000
Magnasonic	0278, 0593
Magnavox	0035, 0039, 0081, 0000
Magnin	0240
Marantz	0035, 0081
Marta	0037
Matsushita	0035, 0162, 0454
Memorex	0035, 0037, 0048, 0039, 0047, 0240, 0000, 0104, 0209, 0162, 0046, 0268, 0299, 0307, 0454, 1037, 1162, 1262,
Minolta	0042
Mitsubishi	0048, 0067, 0043
Motorola	0035, 0048
Multitech	0000, 0072
NAD	0058
NEC	0104, 0067
Nikko	0037

Brand	Codes
Noblex	0240
Olympus	0035
Optimus	0037, 0048, 0104, 0162, 0058, 0432, 0454, 0568, 0593, 0619, 1048, 1062, 1162, 1262, 0240
Optonica	0062
Orion	0184, 0209
Panasonic	0035, 0162, 0454, 0616, 1062, 1162, 1262
Penney	0035, 0037, 0240, 0042
Pentax	0042
Philco	0035, 0209
Philips	0035, 0081, 0062, 0618, 1081, 1181
Pilot	0037
Pioneer	0067, 0058
Polk Audio	0081
Profitronic	0240
Proscan	0060, 0202
Protec	0072
Pulsar	0039
Quarter	0046
Quartz	0046
Quasar	0035, 0162, 0454, 1162
RCA	0060, 0035, 0048, 0240, 0042, 0058, 0202, 0619
RadioShack	0000, 1037
Radix	0037
Randex	0037
Realistic	0035, 0037, 0048, 0047, 0000, 0104, 0062, 0046, 0066, 0240
ReplayTV	0614, 0616
Runco	0039
STS	0042
Samsung	0240, 0045
Sanky	0048, 0039

Brand	Codes
Sansui	0000, 0067, 0209, 0271
Sanyo	0047, 0240, 0104, 0046, 0268
Scott	0184, 0045, 0043
Sears	0035, 0037, 0047, 0000, 0042, 0104, 0046, 0066
Semp	0045
Sharp	0048, 0062
Shintom	0072
Shogun	0240
Singer	0072
Sony	0033, 0035, 0032, 0000, 1032
Sylvania	0035, 0081, 0000, 0043
Symphonic	0000, 0593
Tandy	0000, 0104
TMK	0240
Teac	0000
Technics	0035, 0162
Teknika	0035, 0037, 0000
Thomas	0000
Tivo	0618
Toshiba	0045, 0043, 0066
Totevision	0037, 0240
Unitech	0240
Vector	0045
Video Concepts	0045
Videosonic	0240
Wards	0060, 0035, 0048, 0047, 0081, 0240, 0000, 0042, 0072, 0062
White Westing-house	0209, 0072, 0278
XR-1000	0035, 0000, 0072
Zenith	0039, 0000, 0209

Video Accessory Codes

Brand	Codes
Archer	0160
GC Electronics	0160
Jebsee	0160
Magnavox	0818
Philips	0818
RadioShack	0160
Sony	0850

Specifications

Power	(4) AAA Batteries
Dimensions (HWD)	7.3 in × 3.4 in × 1.2 in (184.5mm × 85.7mm × 31mm)
Weight (Without Batteries)	8 oz (226.8 g)

Specifications are typical; individual units might vary. Specifications are subject to change and improvement without notice.

Limited Ninety-Day Warranty

This product is warranted by RadioShack against manufacturing defects in material and workmanship under normal use for ninety (90) days from the date of purchase from RadioShack company-owned stores and authorized RadioShack franchisees and dealers. EXCEPT AS PROVIDED HEREIN, RadioShack MAKES NO EXPRESS WARRANTIES AND ANY IMPLIED WARRANTIES, INCLUDING THOSE OF MERCHANTABILITY AND FITNESS FOR A PARTICULAR PURPOSE, ARE LIMITED IN DURATION TO THE DURATION OF THE WRITTEN LIMITED WARRANTIES CONTAINED HEREIN. EXCEPT AS PROVIDED HEREIN, RadioShack SHALL HAVE NO LIABILITY OR RESPONSIBILITY TO CUSTOMER OR ANY OTHER PERSON OR ENTITY WITH RESPECT TO ANY LIABILITY, LOSS OR DAMAGE CAUSED DIRECTLY OR INDIRECTLY BY USE OR PERFORMANCE OF THE PRODUCT OR ARISING OUT OF ANY BREACH OF THIS WARRANTY, INCLUDING, BUT NOT LIMITED TO, ANY DAMAGES RESULTING FROM INCONVENIENCE, LOSS OF TIME, DATA, PROPERTY, REVENUE, OR PROFIT OR ANY INDIRECT, SPECIAL, INCIDENTAL, OR CONSEQUENTIAL DAMAGES, EVEN IF RadioShack HAS BEEN ADVISED OF THE POSSIBILITY OF SUCH DAMAGES.

Some states do not allow limitations on how long an implied warranty lasts or the exclusion or limitation of incidental or consequential damages, so the above limitations or exclusions may not apply to you.

In the event of a product defect during the warranty period, take the product and the RadioShack sales receipt as proof of purchase date to any RadioShack store. RadioShack will, at its option, unless otherwise provided by law: (a) correct the defect by product repair without charge for parts and labor; (b) replace the product with one of the same or similar design; or (c) refund the purchase price. All replaced parts and products, and products on which a refund is made, become the property of RadioShack. New or reconditioned parts and products may be used in the performance of warranty service. Repaired or replaced parts and products are warranted for the remainder of the original warranty period. You will be charged for repair or replacement of the product made after the expiration of the warranty period.

This warranty does not cover: (a) damage or failure caused by or attributable to acts of God, abuse, accident, misuse, improper or abnormal usage, failure to follow instructions, improper installation or maintenance, alteration, lightning or other incidence of excess voltage or current; (b) any repairs other than those provided by a RadioShack Authorized Service Facility; (c) consumables such as fuses or batteries; (d) cosmetic damage; (e) transportation, shipping or insurance costs; or (f) costs of product removal, installation, set-up service adjustment or reinstallation.

This warranty gives you specific legal rights, and you may also have other rights which vary from state to state.

RadioShack Customer Relations, 200 Taylor Street, 6th Floor,
Fort Worth, TX 76102

12/99

RadioShack Corporation
Fort Worth, Texas 76102

15-2107
10A01
Printed in Korea

Free Manuals Download Website

<http://myh66.com>

<http://usermanuals.us>

<http://www.somanuals.com>

<http://www.4manuals.cc>

<http://www.manual-lib.com>

<http://www.404manual.com>

<http://www.luxmanual.com>

<http://aubethermostatmanual.com>

Golf course search by state

<http://golfingnear.com>

Email search by domain

<http://emailbydomain.com>

Auto manuals search

<http://auto.somanuals.com>

TV manuals search

<http://tv.somanuals.com>