



**Users Guide
&
Installation Instructions**

www.rangemaster.co.uk

Download from Www.Somanuals.com. All Manuals Search And Download.

CONTENTS

IMPORTANT SAFETY INFORMATION	Installation	Page	2
	Child Safety		2
	Maintenance and Service		3
YOUR APPLIANCE			4
OPERATING INSTRUCTIONS	Cooker Hood Controls		4
	Worktop Lighting		4
	Fan		4
	To Operate		5
	Recirculation		5
	Extraction		5
MAINTENANCE AND CLEANING	Cleaning		6
	Metal Grease Filters		6
	Charcoal Filters		7
	To Remove/Replace the Charcoal Filters		7
	To Replace a Light Bulb		7
INSTALLATION INSTRUCTIONS	Technical Information		8
ELECTRICAL CONNECTION	Electrical Requirements		9
	Electrical Connection		9
INSTALLING THE CHIMNEY HOOD	Installation Requirements		10
	Unpacking		10
	Clearance Heights		11
	Fitting the Wall Brackets		11
	Fitting the Canopy Hood		12
	Ducting		12
	Recirculation		13
	Fitting the Chimney Stack		13
	Fitting the front rail		14

This booklet applies to the models as follows:

LEIHDC60BB/, CLAHDC60BB/, LEIHDC60SC/, LEIHDC60BC/,

CLAHDC90BB/, CLAHDC90BC/, LEIHDC90SC/,

LEIHDC120BB/, LEIHDC120BC/, CLAHDC120BB/, CLAHDC120BC/,

LEIHDC120SC/, FLAHDC120BC/.

IMPORTANT SAFETY INFORMATION

These warnings are provided in the interests of safety. Ensure that you understand them all before installing or using this appliance. Your safety is of paramount importance. If you are unsure about the meaning of any of these warnings contact the Helpline.

• **INSTALLATION**

- Any installation work must be undertaken by a qualified electrician or a competent person.
- This hood must be installed in accordance with the installation instructions and all measurements must be adhered to.
- If the cooker hood is installed for use above a gas appliance then the provision for ventilation must be in accordance with the latest edition of the Gas Safety Codes of Practice, and the Gas Safety (Installation & Use) Regulations, the Building Regulations issued by the Department of the Environment, the Building Standards (Scotland) (Consolidated) Regulations issued by the Scottish Development Department.
- The fan motor of this cooker hood incorporates a cut-out device which will operate if the cooker hood is installed below the minimum height recommended under the section 'Clearance Height', or if the motor becomes overheated. If the cut-out device is activated, switch off the fan motor and allow the cooker hood to cool. The cut-out device will reset itself when the fan motor has cooled significantly.
- It is dangerous to alter the specifications or modify this product in any way.
- When installed between adjoining wall cabinets the wall cabinets must not overhang the hob.

- If the room where the cooker hood is to be used contains a fuel burning appliance such as a central heating boiler then its flue must be of the room sealed or balanced flue type.
- If other types of flue or appliances are fitted ensure that there is an adequate supply of air to the room.
- The ducting system for this appliance must not be connected to any existing ventilation system that is being used for any other purpose.
- Do not install above a cooker with a high-level grill.

• **CHILD SAFETY**

- This appliance is designed to be operated by adults. Children should not be allowed to tamper with the appliance.

• **DURING USE**

- This product is for domestic use only.
- Never leave frying pans unattended during use as over-heated fats and oils might catch fire.
- Never do flambé cooking under this cooker hood.
- Do not leave naked flames under the cooker hood.

IMPORTANT SAFETY INFORMATION

- **MAINTENANCE AND SERVICE**
- This appliance can be a hazard if the grease filters and charcoal filters are not cleaned and replaced as recommended.
- Always insist on genuine RANGEmaster spare parts.
- Under no circumstances should you attempt to repair the appliance yourself. Repairs carried out by inexperienced persons may cause injury or more serious malfunction. In the event of your chimney hood requiring service contact:

RANGEmaster Helpline: 0845 603 5312, or

Consumer Services: 0870 789 5107

YOUR APPLIANCE



OPERATING INSTRUCTIONS

The chimney hood is designed to extract unpleasant odours from the kitchen, it will not extract steam. The appliance can be installed to recirculate or extract contaminated air.

COOKER HOOD CONTROLS

The chimney hood functions are controlled by three manual slide switches located on the right, on the underside of the canopy.

WORKTOP LIGHTING

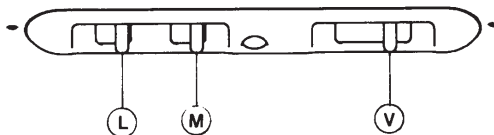
The switch (L) marked with the lamp symbol operates the worktop lighting.

- L** 0 - OFF
 1 - ON

FAN

The switch (M) marked with the fan symbol and the switch (V) marked 1-2-3 operates the fan.

- M** 0 - OFF
 1 - ON
- V** 1 - Low
 2 - Normal
 3 - Boost



OPERATING INSTRUCTIONS

TO OPERATE

Select the required fan speed and light if required.

RECIRCULATION

In the recirculation mode contaminated air enters the chimney hood through the grease filter cassettes. The air is cleaned by the charcoal filters and leaves through the grilles in either side of the chimney stack.

EXTRACTION

In the extraction mode the contaminated air enters the chimney hood passing through the grease filter cassettes and is passed out through the ducting into the atmosphere.

To obtain the best performance when cooking it is advisable to switch the cooker hood on for a few minutes before you start cooking and leave it running for about 15 minutes after finishing.



When used in the ducting mode the charcoal filters are not required.

Never do flambé cooking under this chimney hood.

Never leave frying pans unattended during use as over-heated fats and oils can catch fire.

Do not leave naked flames under the hood.

Ensure heating areas on your hob are covered with pots and pans when using the hob and chimney hood simultaneously.

MAINTENANCE AND CLEANING

Regular maintenance and cleaning will ensure good performance and reliability, while extending the working life of the hood. Special attention should be paid to the grease filter cassettes and charcoal filter when the hood is used in the recirculation mode.


 **Before carrying out any maintenance or cleaning isolate the cooker hood from the mains supply.**



Remove the metal grease filters one at a time, by pressing the release catch towards the rear of the chimney hood as illustrated opposite. When replacing the filters ensure the handle faces forwards.

CLEANING

We recommend the chimney hood is cleaned using a damp cloth wrung out in warm soapy water using a mild liquid household cleaner.

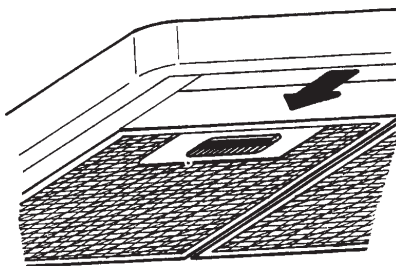
 **Never use excessive amounts of water when cleaning, in particular around the control panel.**

Never use thinners or products containing alcohol, as they will damage the painted or bright metal finishes.

Never use abrasive cleaning materials, or scouring pads, in particular when cleaning painted or bright metal finishes.

METAL GREASE FILTERS

The grease filters absorb grease and dust during cooking to help keep the chimney hood clean inside, and should be cleaned every month with normal usage or more frequently if the hood is used consistently over 4 hours per day.




MAINTENANCE AND CLEANING

CHARCOAL FILTERS (2)


In the recirculation mode the activated charcoal filters absorb smells and unwanted odours.


The charcoal filters cannot be cleaned or regenerated and must be replaced every four months, or more frequently if the hood is used consistently over 4 hours per day.

 To remove the charcoal filters, first remove the metal grease filters.


Holding one filter at a time, turn it anti-clockwise (**B**) as illustrated opposite.

We recommend that you wear rubber gloves when removing the charcoal filters as the filters will be saturated in grease. Put the filters into a polythene bag or container so that the grease and dirt cannot spill out onto clothing or furnishings.

 To replace the charcoal filters, remove the metal grease filters. Place one filter at a time over the grill in the motor housing and turn clockwise into position (**A**) as illustrated.

 **This appliance can be a possible fire hazard if the grease filters and charcoal filter are not cleaned and replaced as recommended.**

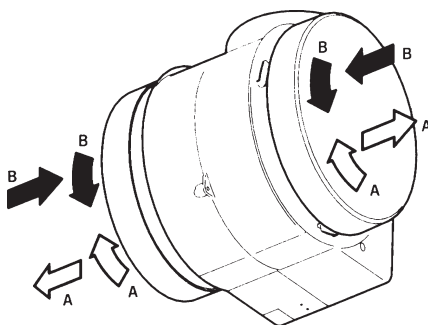
LIGHTING

 To replace a light bulb, remove the metal grease filters.

If the light bulb fails to function check that the bulb is fully screwed into the holder.

If bulb failure has occurred then it should be replaced with a 220-240 Volt 40W clear globe shaped lamp with a small E14 screw thread.

Replacement charcoal filters may be purchased by returning the enclosed order form, or if you wish to pay by credit card by telephoning 01803 296155.



INSTALLATION INSTRUCTIONS

 It is dangerous to alter the specifications or attempt to modify this product in any way.

TECHNICAL INFORMATION

DIMENSIONS	CANOPY:	Height	240mm
		Width (60cm version)	598mm
		(90cm version)	898mm
		(120cm version)	1198mm
		Depth	490mm
	CHIMNEY:	Height (Upper Section)	415mm
		(Lower Section)	560mm
ELECTRICAL SUPPLY	VOLTAGE: (50Hz)		230V
	POWER CONSUMPTION:		225W
	FAN MOTOR:		145W
	LIGHT BULB: 2 x 40W		80W
PERFORMANCE	SPEEDS		3
	CAPACITY m ³ /h*		410
	CAPACITY m ³ /h**		450
	PRESSURE PA		220
	INPUT W		225
	NOISE LEVEL dBA***		62

*IEC 61591 method for cooker hoods in evacuation mode - ** IEC 61591 method with free delivery - ***IEC 60704-2-13 method



Note: CE Marking certifies that this appliance complies with the requirements laid down in EEC directive 89:336 (Electromagnetic compatibility) and subsequent modifications and Low Voltage directive 72/23/E.

ELECTRICAL CONNECTION

 **THIS APPLIANCE MUST BE EARTHED**

ELECTRICAL REQUIREMENTS

Any permanent electrical installation must comply with the latest I.E.E. Regulations and local Electricity Board regulations. For your own safety this should be undertaken by a qualified electrician e.g. your local Electricity Board, or a contractor who is on the roll of the National Inspection Council for Electrical Installation Contracting (NICEIC).

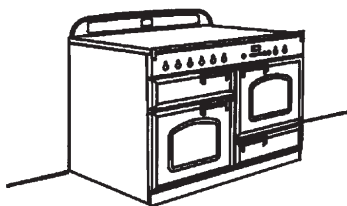
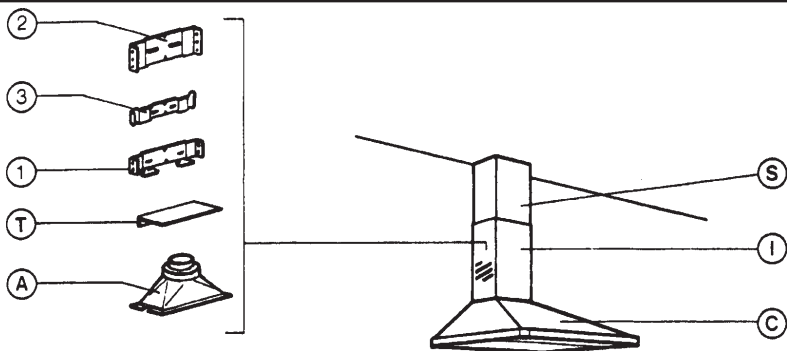
ELECTRICAL CONNECTION

Before connecting to the mains supply ensure that the mains voltage corresponds to the voltage on the rating plate inside the cooker hood.

This appliance is fitted with a 3 core mains cable and must be permanently connected to the electricity supply via a double-pole switch having 3mm minimum contact gap on each pole. A Switched Fuse Connection Unit to BS.1363 Part 4, fitted with a 3 Amp fuse, is a recommended mains supply connection accessory to ensure compliance with the Safety Requirements applicable to fixed wiring instructions.

This appliance conforms to BS.800:1988 and EEC Directive No. 78 308 regarding suppression of radio and television interference.

INSTALLING THE CHIMNEY HOOD



INSTALLATION REQUIREMENTS

Please ensure that when the appliance is installed it is easily accessible to an engineer in the event of a breakdown.



All installations must comply with the local authorities requirements for the discharge of exhaust air.

Incorrect installation may affect the safety of this cooker hood.

Before installation check the wall to which the cooker hood is to be fitted for electric cables, gas and water pipes.

This chimney hood is designed to be fixed to any vertical surface over a cooking area, and can be used in the extraction mode (ducted to the outside), or recirculation mode.

The installation work must be undertaken by a qualified and competent person.

Leisure Consumer Products disclaims any

responsibility for damage due to incorrect installation of the cooker hood or if the hood is not installed in compliance with relevant regulations controlling this type of installation.

UNPACKING

The cooker hood is supplied with the following components for installation:

- Canopy (C), including controls, worktop illumination and fan unit.
- U-shaped upper chimney section (S).
- U-shaped lower chimney section (I).
- Metal recirculation plate (T).
- 120mm ducting spigot (A).
- 120÷125mm ducting spigot (B)

Fixing kit comprising:


- Wall fixing brackets (1, 2 and 3).
- Rawl plugs and screws.
- Document pack.

INSTALLING THE CHIMNEY HOOD

CLEARANCE HEIGHTS

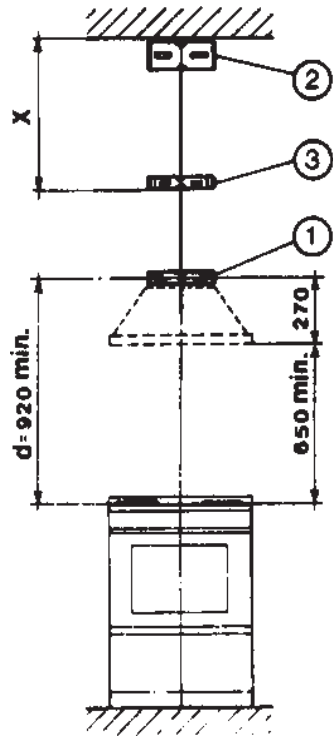
The chimney hood is designed to be fitted over a cooking appliance. A minimum clearance height of 650mm (25°ins) is required when installed above a built-in electric hob, or 700mm (27°ins) when installed above a built-in gas hob.

When installed between adjoining wall cabinets, the wall cabinets must not overhang the hob and the distance between the underside of the cabinet and the worktop must be 450mm (17°ins), a gap of 50mm (2") must be maintained either side of the hob.

 **This chimney hood must not be installed above a cooking appliance with a high level grill.**

FITTING THE WALL BRACKETS

1. Draw a vertical line on the wall from the centre of the cooking appliance up to the ceiling, using a spirit level and marking pen. This is to ensure the correct vertical alignment of the appliance.
2. Draw a horizontal line through the vertical at 270mm. Mark the centre positions for the **lower bracket** fixing screws (1) at 110mm either side of the vertical line. Ensure that the distance between the lowest point of the hood and the cooking appliance beneath meet the clearance requirements quoted above.
3. Draw a horizontal line through the vertical at 45mm from the ceiling or from the maximum height of the chimney. Mark the centre positions for the **upper bracket** fixing screws (2) at 80mm either side of the vertical line.
4. Draw a horizontal line through the vertical at **X**. **X** is the distance between the centre of the top and bottom fixing holes on the upper chimney stack. Mark the centre positions for the **middle bracket** fixing screws (3) at 95mm either side of the vertical line.
5. Drill the holes for the fixing screws using an 8mm masonry drill and fix the wall brackets using the plastic Rawl plugs and 44mm screws provided. Ensure the **lower bracket** (1) is fitted with the lugs at the bottom.



INSTALLING THE CHIMNEY HOOD

Note: If the hood is to be installed onto a hollow construction or plaster or partition board wall then special fixing screws will be required (not supplied).

FITTING THE CANOPY HOOD

1. Rotate the adjusting screws (R) on the canopy (C) to about halfway.
2. Hook the canopy (C), onto the wall fixing bracket (1) and push down until the canopy adjusting screws (R) rest on the lugs.
3. To align or adjust the height of the canopy, use the two adjustment screws (R).
4. Before fitting the chimney to the canopy make the electrical connection as described in the section titled "ELECTRICAL CONNECTION".
5. When the electrical connection has been made, test the three speed fan and worktop illumination.

DUCTING

The hood is more effective when used in the extraction mode (ducted to the outside). When used in the extraction mode ensure the ducting spigot has been correctly fitted.

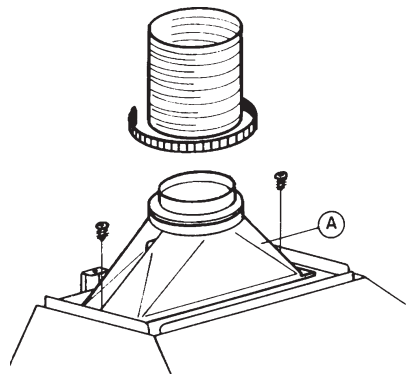
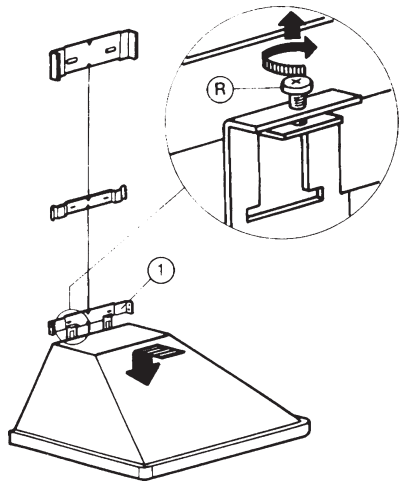
When used in the extraction mode ensure the ducting spigot has been correctly fitted as illustrated opposite.

The ducting flange should be sleeved over the spigot when using 125mm (5ins) ducting as the European ducting spigot is 120mm.



The ducting used must be 125mm (5 ins), flexible or rigid and must be manufactured from fire retardant material, produced to BS.476 or DIN 4102-B1. The choice should be made by the installer. However, we recommend flexible ducting should only be used as an accessory as rigid ducting will provide better performance while reducing noise levels.

When the cooker hood is ducted to the outside the charcoal filters must be removed.

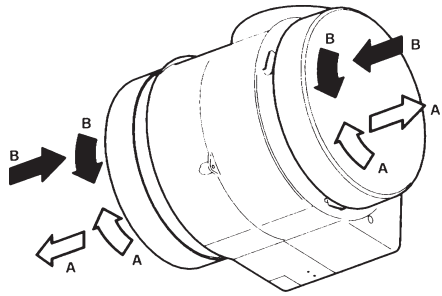


INSTALLING THE CHIMNEY HOOD

RECIRCULATION

If you are using the hood for recirculation, ensure the charcoal filters are in position following the instructions contained in the section "To Remove/Replace the Charcoal Filters".

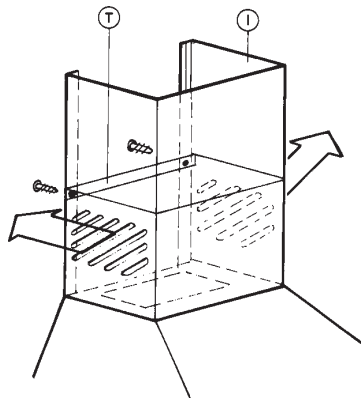
Note: When the hood is used in the recirculation mode ensure that the plate (T) has been fixed into the lower chimney section. If not, fit the plate as illustrated opposite using two of the self tapping screws provided in the fixing kit.



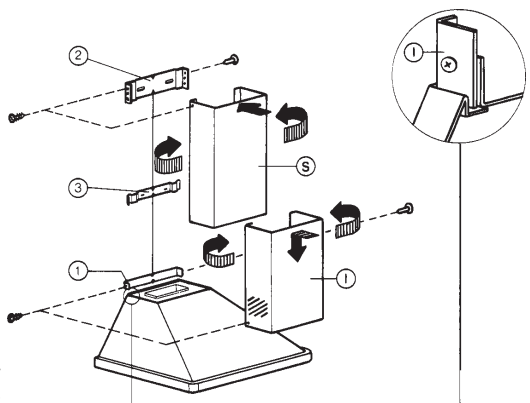
FITTING THE CHIMNEY STACK

The chimney stack consists of two sections.

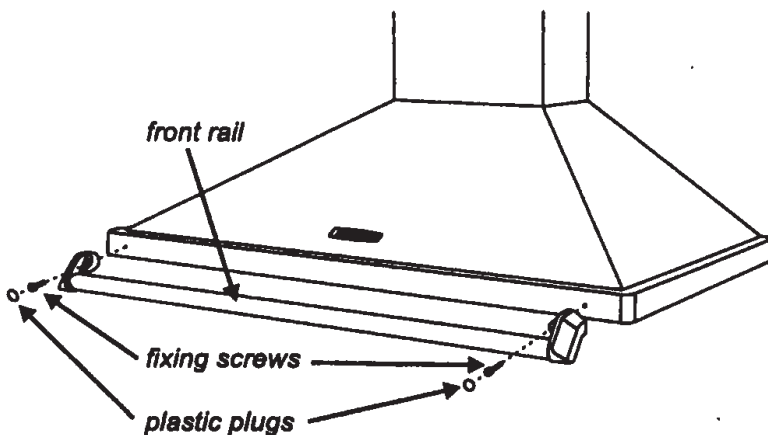
1. Fit the upper section (S) first. Expand the chimney slightly to allow it to be fitted over the brackets (1) and (2), and then secure the chimney stack to bracket (2) using two self tapping screws provided in the fitting kit.
2. Fit the lower chimney section (I) by expanding the chimney slightly to allow it to be fitted over the brackets (1), and the upper chimney section and bracket (3).
3. Ensure the bottom edge of the chimney stack is fitted correctly into the recess around the top of the canopy, and secured using the two self tapping screws as illustrated in the close-up above.



Note: The upper (S) and lower (I) chimney stack sections are fixed to the middle wall bracket (3) by the natural force of the metal, and the overlapping of the sections by vigorously pushing against the centre of the chimney.



INSTALLING THE CHIMNEY HOOD



FITTING THE FRONT RAIL

These instructions apply to models as follows: -

CLAHDC60BB/

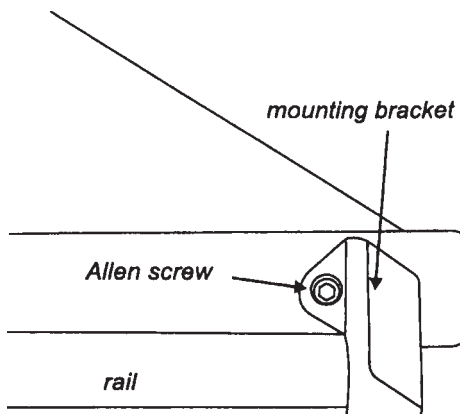
CLAHDC90BB/, CLAHDC90BC/

CLAHDC120BB/, CLAHDC120BC/

Do not fit the front rail until the chimney hood is mounted on the wall.

1. Use a 4mm Allen key to fix the mounting brackets to the front of the canopy using the screws provided.
2. Use the plastic plugs provided to cover the screw heads.

NB When fitted the rail should be below the level of the fixings.





RANGEmaster

Clarence Street, Royal Leamington Spa,
Warwickshire, CV31 2AD, England.

Tel: +44 (0) 1926 457400 Fax: +44 (0) 1926 450526

E-mail: consumers@rangemaster.co.uk

www.rangemaster.co.uk

AGA FOODSERVICE GROUP

Free Manuals Download Website

<http://myh66.com>

<http://usermanuals.us>

<http://www.somanuals.com>

<http://www.4manuals.cc>

<http://www.manual-lib.com>

<http://www.404manual.com>

<http://www.luxmanual.com>

<http://aubethermostatmanual.com>

Golf course search by state

<http://golfingnear.com>

Email search by domain

<http://emailbydomain.com>

Auto manuals search

<http://auto.somanuals.com>

TV manuals search

<http://tv.somanuals.com>