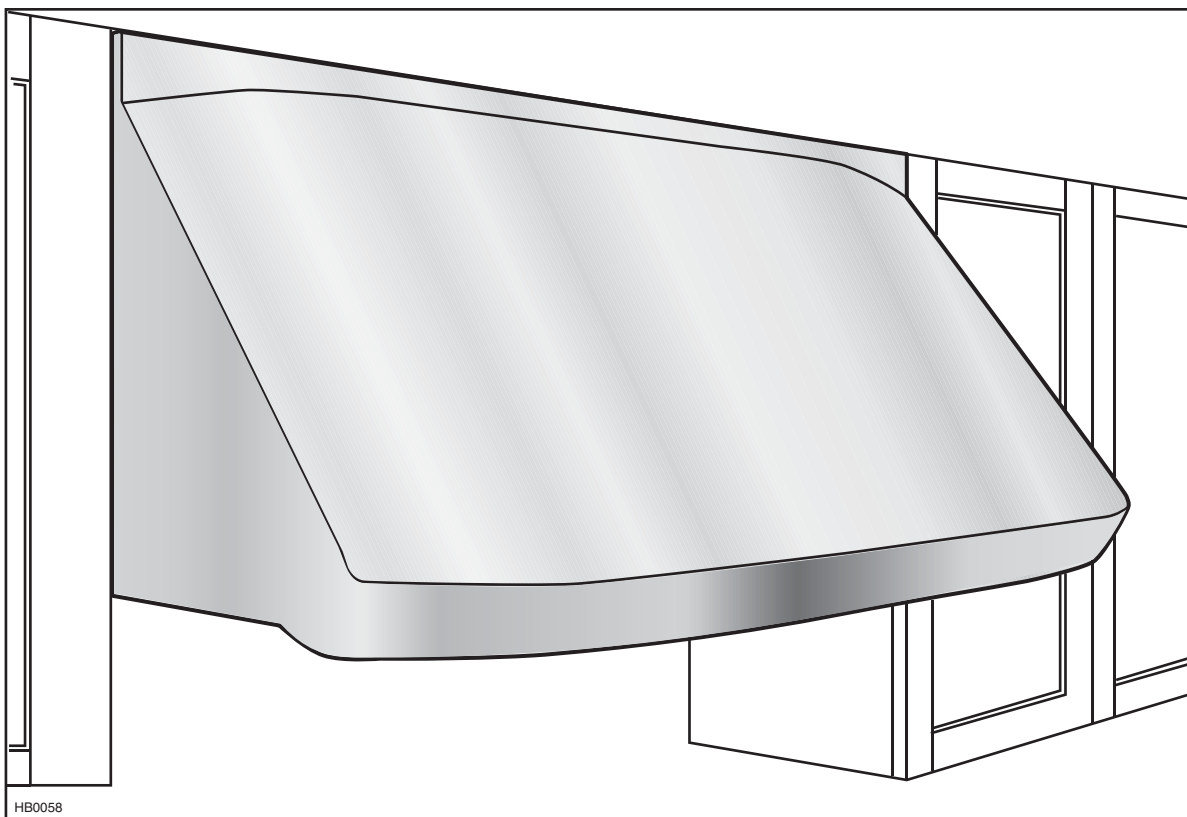


INSTALLATION INSTRUCTIONS

best®



WP29M SERIES

⚠ INTENDED FOR DOMESTIC COOKING ONLY ⚠

READ AND SAVE THESE INSTRUCTIONS

INSTALLER: LEAVE THIS MANUAL WITH HOMEOWNER.
HOMEOWNER: USE, CARE AND OPERATION INFORMATION
ON PAGES 10 AND 11.

BEST; Hartford, Wisconsin www.BestRangeHoods.com 800-558-1711

BEST; Drummondville, QC, Canada www.BestRangeHoods.com 866-737-7770

REGISTER YOUR PRODUCT ON LINE AT: www.BestRangeHoods.com/register

For additional information - visit www.BestRangeHoods.com

SV07693 rev. G

WARNING

TO REDUCE THE RISK OF FIRE, ELECTRIC SHOCK OR INJURY TO PERSONS, OBSERVE THE FOLLOWING:

1. Use this unit only in the manner intended by the manufacturer. If you have questions, contact the manufacturer at the address or telephone number listed in the warranty.
2. Before servicing or cleaning unit, switch power off at service panel and lock service disconnecting means to prevent power from being switched on accidentally. When the service disconnecting means cannot be locked, securely fasten a prominent warning device, such as a tag, to the service panel.
3. Installation work and electrical wiring must be done by qualified personnel in accordance with all applicable codes and standards, including fire-rated construction codes and standards.
4. Sufficient air is needed for proper combustion and exhausting of gases through the flue (chimney) of fuel burning equipment to prevent backdrafting. Follow the heating equipment manufacturer's guidelines and safety standards such as those published by the National Fire Protection Association (NFPA), and the American Society for Heating, Refrigeration and Air Conditioning Engineers (ASHRAE), and the local code authorities.
5. When cutting or drilling into wall or ceiling, do not damage electrical wiring and other hidden utilities.
6. Ducted fans must always be vented to the outdoors.
7. Do not use this unit with any additional solid-state speed control device.
8. To reduce the risk of fire, use only steel ductwork.
9. This unit must be grounded.
10. When applicable local regulations comprise more restrictive installation and/or certification requirements, the aforementioned requirements prevail on those of this document and the installer agrees to conform to these at his own expenses.

TO REDUCE THE RISK OF A RANGE TOP GREASE FIRE:

- a) Never leave surface units unattended at high settings. Boilovers cause smoking and greasy spillovers that may ignite. Heat oils slowly on low or medium settings.
- b) Always turn hood ON when cooking at high heat or when flambeing food (i.e.: Crêpes Suzette, Cherries Jubilee, Peppercorn Beef Flambé).
- c) Clean ventilating fans frequently. Grease should not be allowed to accumulate on fan or filter.
- d) Use proper pan size. Always use cookware appropriate for the size of the surface element.

WARNING

TO REDUCE THE RISK OF INJURY TO PERSONS IN THE EVENT OF A RANGE TOP GREASE FIRE, OBSERVE THE FOLLOWING*:

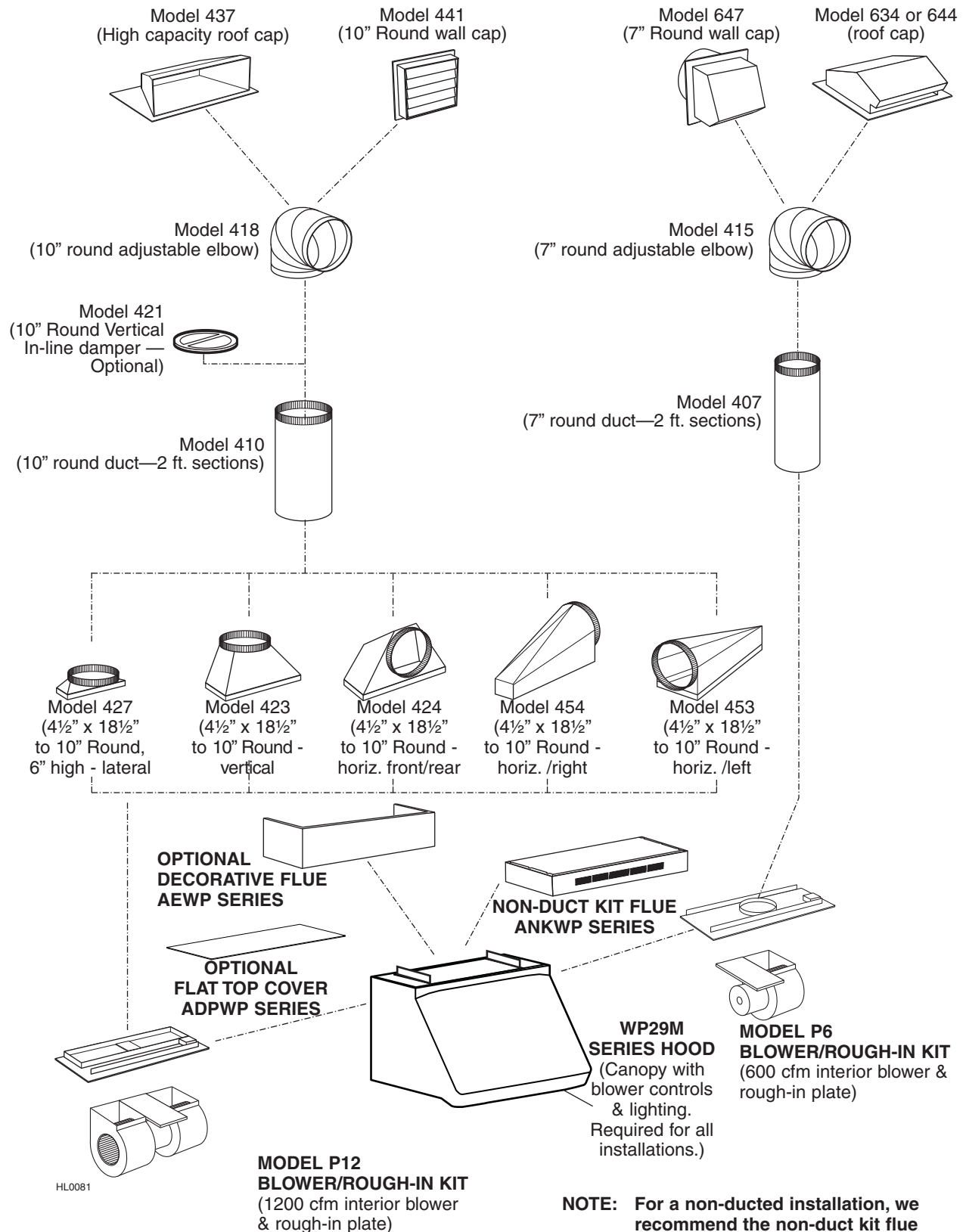
1. SMOTHER FLAMES with a close-fitting lid, cookie sheet or metal tray, then turn off the burner. BE CAREFUL TO PREVENT BURNS. IF THE FLAMES DO NOT GO OUT IMMEDIATELY, EVACUATE AND CALL THE FIRE DEPARTMENT.
2. NEVER PICK UP A FLAMING PAN—You may be burned.
3. DO NOT USE WATER, including wet dishcloths or towels—This could cause a violent steam explosion.
4. Use an extinguisher ONLY if:
 - A. You own a Class ABC extinguisher and you know how to operate it.
 - B. The fire is small and contained in the area where it started.
 - C. The fire department has been called.
 - D. You can fight the fire with your back to an exit.

* Based on "Kitchen Fire Safety Tips" published by NFPA.

CAUTION

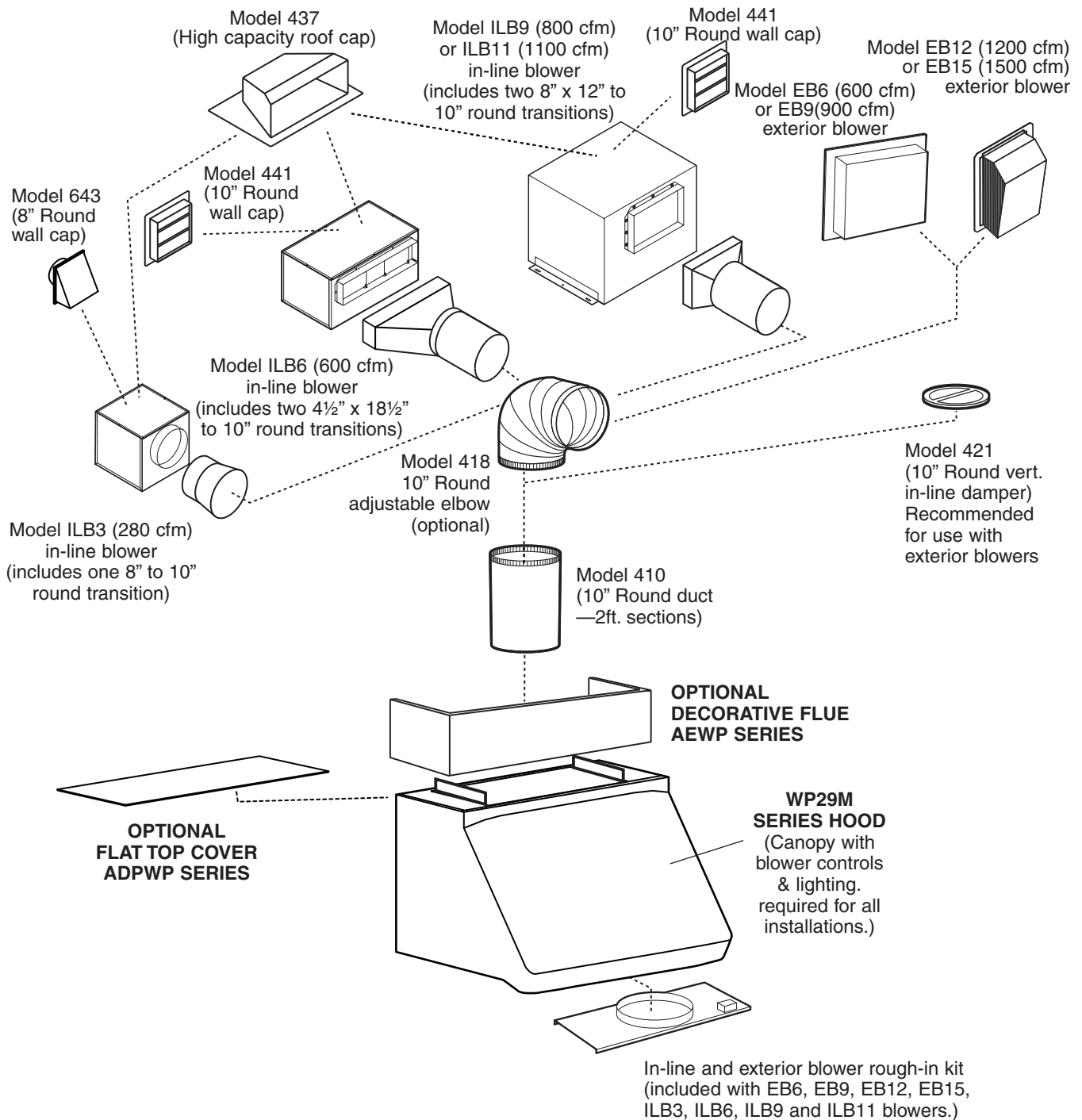
1. For indoor use only.
2. For general ventilating use only. Do not use to exhaust hazardous or explosive materials and vapors.
3. To avoid motor bearing damage and noisy and/or unbalanced impellers, keep drywall spray, construction dust, etc. off power unit.
4. Your hood motor has a thermal overload which will automatically shut off the motor if it becomes overheated. The motor will restart when it will be cooled down. If the motor continues to shut off and restart, have the hood serviced.
5. For best capture of cooking impurities, the bottom of the hood should be at a minimum of 24" and at a maximum of 30" above the cooking surface.
6. Two installers are recommended because of the large size and weight of this hood.
7. To reduce the risk of fire and to properly exhaust air, be sure to duct air outside—Do not exhaust air into spaces within walls or ceiling or into attics, crawl space or garage.
8. This product is equipped with a thermostat which may start blower automatically. To reduce the risk of injury and to prevent power from being switched on accidentally, switch power off at service panel and lock or tag service panel.
9. To reduce the risk of fire and electric shock, the Best WP29M Series hood must be installed with Best interior blower models P6 or P12; Best exterior blower models EB6, EB9, EB12 or EB15; Best inline blowers models ILB3, ILB6, ILB9, ILB11. Other blowers cannot be substituted. (Blowers sold separately.)
10. Please read specification label on product for further information and requirements.

- WP29M SERIES RANGE HOOD SYSTEM - INTERIOR BLOWERS



NOTE: For a non-ducted installation, we recommend the non-duct kit flue ANKWP Series be installed with Model P6 Blower/Rough-in kit for effectiveness.

- WP29M SERIES RANGE HOOD SYSTEM - IN-LINE AND EXTERIOR BLOWERS



HL0082

1. SELECT BLOWER OPTION AND INSTALLATION TYPE

1.1 NON-DUCTED INSTALLATION

For a non-ducted installation, we recommend using interior blower Best model P6 for effectiveness. (Blower sold separately.) The non-duct kit ANKWP Series (sold separately) must be installed. This kit fits hood from 30-inch width up to 48-inch width. See installation instructions included with the non-duct kit ANKWP Series.

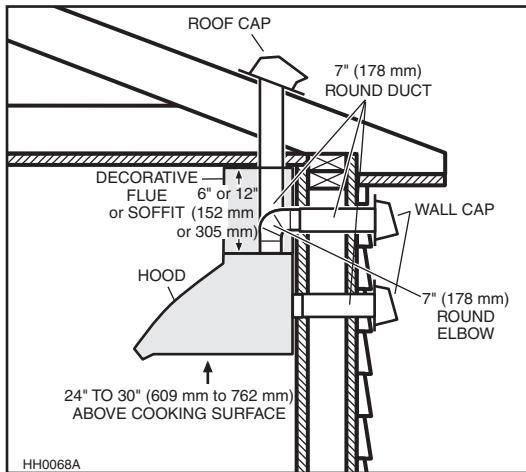
1.2 DUCTED INSTALLATION

For a ducted installation, either an interior or exterior blower or in-line blower may be used with this hood. The Best WP29M Series must be installed with blower models P6, P12, ILB3, ILB6, ILB9, ILB11, EB6, EB9, EB12 or EB15 only. Other blowers cannot be substituted. (Blowers sold separately.)

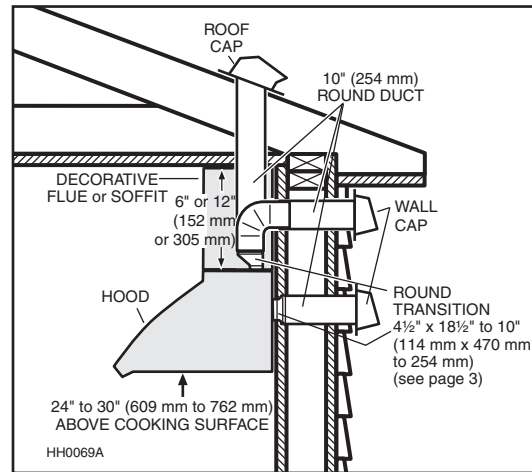
Plan where and how the ductwork will be installed.

If installing in-line blower, refer to instructions packed with in-line blower and follow steps 1 up to 8, 11, 12, 14 and up of this manual.

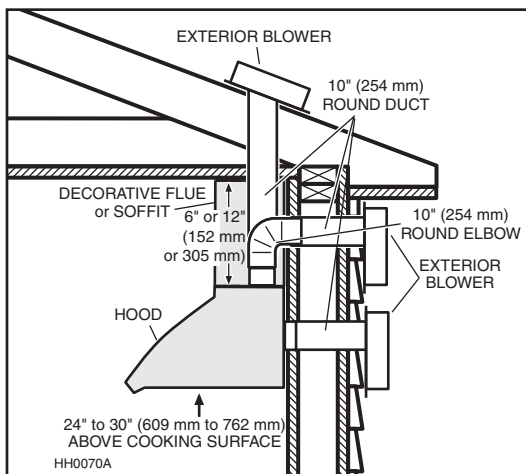
Install proper-sized ductwork, elbows and roof or wall cap for the type of blower you are installing. Use metal duct tape to seal duct joints.



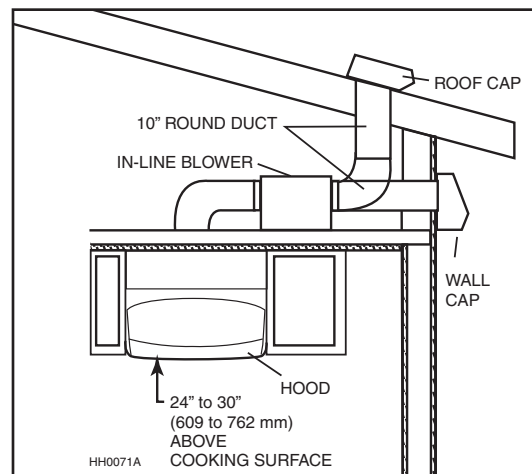
**MODEL P6 SINGLE INTERIOR BLOWER
TYPICAL DUCTWORK**



**MODEL P12 DUAL INTERIOR BLOWER
TYPICAL DUCTWORK**



**MODEL EB6, EB9, EB12 OR EB15
EXTERIOR BLOWER TYPICAL DUCTWORK**



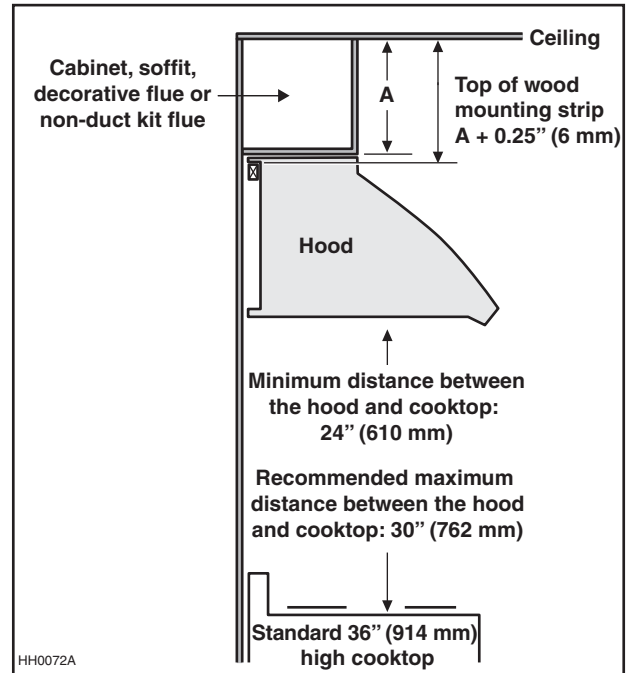
**MODEL ILB3, ILB6, ILB9 OR ILB11
IN-LINE BLOWER TYPICAL DUCTWORK**

2. MEASURE INSTALLATION

Dimensions for the most common installation are shown beside.

The minimum hood distance above cooktop must not be less than 24". A maximum of 30" above cooktop is highly recommended for best capture of cooking impurities.

Distances over 30" are at the installer and users discretion.



**MINIMUM AND MAXIMUM DISTANCE
OVER COOKTOP**

3. PREPARE THE INSTALLATION

⚠ WARNING

When performing installation, servicing or cleaning the unit, it is recommended to wear safety glasses and gloves.

Remove the installation kit from inside the hood.

Make sure that the following items are included:

- Wood strip (screwed on back of hood)
- Installation manual
- Accessories including:
 - Evolution™ hybrid baffle filters (3 for hoods up to 54" width, 4 for 60" width)
 - Shielded halogen lights (GU10 type base, 120 V, 50 W) (4 for hoods up to 42" width, 6 for hoods from 48" to 60" width)
 - Bag of parts including:
 - (4) flat head screws no. 10-2", (8) screws no. 8 x 3/4", (4) nuts no. 10-32, (2) wall anchors, (2) washers 3/16" ID x 3/4" OD

Parts sold separately:

- Interior blower Model P6 (includes rough-in kit), for either ducted or non-ducted installation.
- Interior blower Model P12 (includes rough-in kit), for ducted installation only.
- In-line blower assembly ILB3, ILB6, ILB9 or ILB11 (all include transition and rough-in plate), for ducted installation only.
- Exterior blower assembly EB6, EB9, EB12 or EB15 (all include rough-in plate), for ducted installation only.
- Transitions, duct, elbows, dampers, wall and roof caps. Refer to pages 3 and 4 for a complete list of venting options and model numbers.
- Non-duct kit ANKWPD Series, mandatory for non-ducted installation.
- Optional decorative flue AEWP Series, for ducted installation only.
- Optional flat top cover ADPWP Series, for ducting through back of hood, intalled on hood or installed on the optional decorative flue AEWP Series. Can also be installed on the non-duct kit flue ANKWPD Series.

4. REMOVE THE FILTERS AND THE GREASE DRIP RAIL(S)

A. Remove tape on filters.

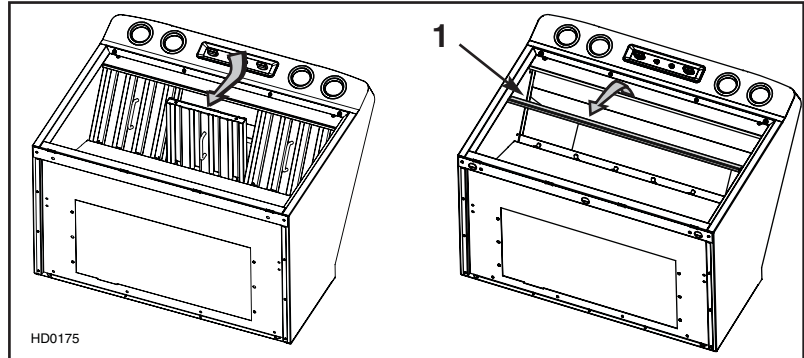
Remove filters from hood and set aside.

NOTE: It is recommended to start with the central one.

B. Remove tape on grease drip rail (1).

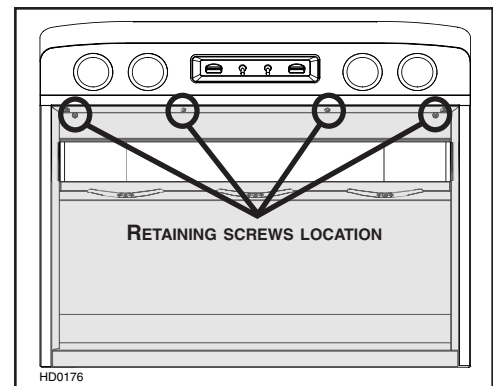
Lift out grease drip rail and set aside.

NOTE: The 60-inch width hood has 2 grease drip rails.



5. REMOVE THE PAN

Using a Phillips no. 2 or Robertson no. 2 screwdriver, remove the screws retaining the pan (shaded part on illustration beside) to the hood. Remove the pan and set aside.



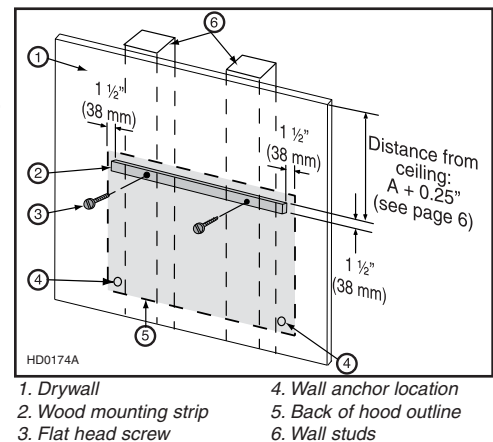
6. INSTALL WOOD MOUNTING STRIP

Measure and mark a level line on wall above cooktop location for the wood mounting strip (see illustration beside and under step 2). Remove wood mounting strip from back of hood.

Use no. 10 - 2" flat head screws to secure the mounting strip to the drywall. Make sure to hit the wall studs.

CAUTION

Due to the weight of this hood, ensure that the wood strip is attached to all of the available studs (2 studs minimum for a 30" width hood, more as hood width increases); not into the drywall alone.



7. INSTALL THE FLUE AND/OR THE FLAT TOP COVER

7.1 DUCTED INSTALLATION: A) OPTIONAL DECORATIVE FLUE AEWP SERIES

For a ducted installation, refer to the instructions sheet included with the optional decorative flue.

B) OPTIONAL FLAT TOP COVER ADPWP SERIES

For ducting through back of hood only, install on hood or on the Optional Decorative Flue AEWP Series.

Refer to the instructions sheet included with the optional flat top cover.

7.2 NON-DUCTED INSTALLATION: NON-DUCT KIT FLUE ANKWP SERIES

Refer to the installation sheet included with the non-duct kit for details.

NOTE: The Optional Flat Top Cover ADPWP Series can be installed on the Non-Duct Kit Flue ANKWP Series. Refer to the instructions included with the optional flat top cover.

8. INSTALL THE HOOD

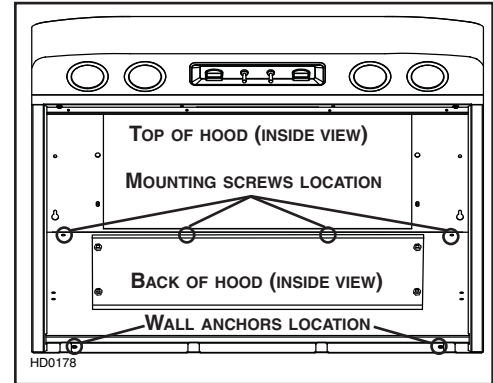
Rest the top back cavity of the hood on the wood mounting strip.

CAUTION

Hold the hood until it is completely secured to the wood mounting strip.

Secure the hood to wood mounting strip with (4) screws no. 8 x 3/4" (for 30" and 36" width hoods) or (6) screws (for 42" width and wider hoods) provided at locations shown. Drill (2) 3/16" size holes into the drywall for wall anchors through the existing holes in the inside hood back in the locations shown. Then, install the two wall anchors with the remaining no. 8 x 3/4" screws and the (2) washers provided.

For a non-ducted installation, go to step 11, *Install the Rough-in Plate*.



9. SELECT BLOWER OPTION (EXTERIOR OR INTERIOR, DUCTED INSTALLATION)

INTERIOR BLOWER: Follow all subsequent steps of this manual.

EXTERIOR BLOWER: Refer to instructions packed with exterior blower and follow steps 11 and up of the present manual.

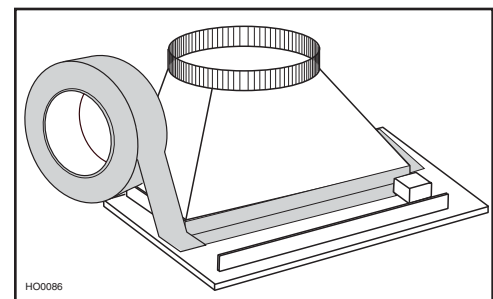
10. INSTALL TRANSITION TO ROUGH-IN PLATE (INTERIOR BLOWER, DUCTED INSTAL.)

Model 423, 424, 427 453, or 454

Attach transition (if required) to blower rough-in plate.

Use metal duct tape to make all joints secure and air-tight.

NOTE: Model P6 blower plate connects directly to 7" round ductwork without a transition.



11. INSTALL THE ROUGH-IN PLATE TO THE HOOD (ALL INSTALLATIONS)

11.1 ALL INSTALLATIONS:

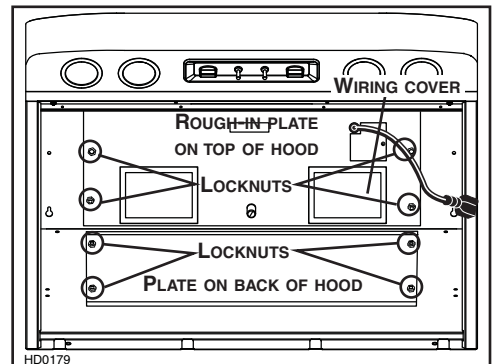
Run power cable to installation location. Refer to the instructions included with the selected blower/rough-in kit (sold separately) for details on installing the rough-in plate. Install the rough-in plate so that the wiring box is located on the right side as you are facing the hood.

11.2 DUCTED INSTALLATIONS ONLY:

For ducting through back of hood, remove existing plate from inside back of hood and attach it to inside top of hood to cover hole. Secure to threaded studs with same (4) nuts.

For ducting through top of hood, existing plate remains in place on inside back of hood.

Connect ducting to transition or rough-in plate as you are installing the rough-in plate. Use duct tape to make all joints secure and air-tight.



12. CONNECT THE WIRING (ALL INSTALLATIONS)

WARNING

Risk of electrical shock. Electrical wiring must be done by qualified personnel in accordance with all applicable codes and standards. Before connecting wires, switch power off at service panel and lock service disconnecting means to prevent power to be switched on accidentally.

Remove wiring cover from rough-in plate and set aside.

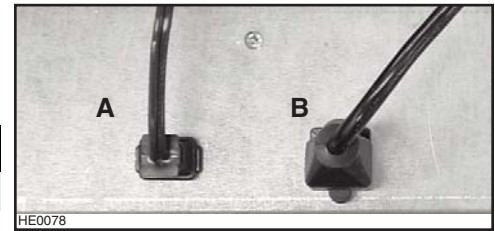
Connect BLACK to BLACK, WHITE to WHITE and GREEN or bare wire under GREEN ground screw.

Reinstall wiring cover.

13. INSTALL THE BLOWER (INTERIOR OR EXTERIOR BLOWER)

Refer to instructions included with blower.

Once the blower is installed, plug the blower cord (A) into the female receptacle and the power supply cord (B) onto the male connector inside the hood.

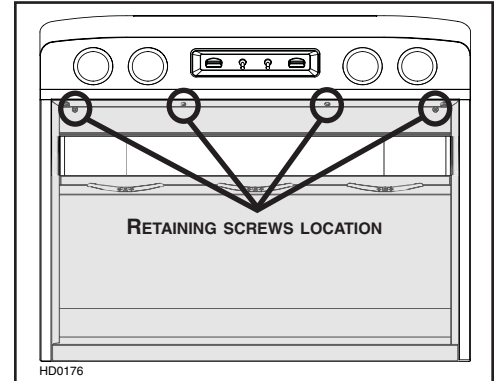


⚠ WARNING

Do not plug the two cords into each other.

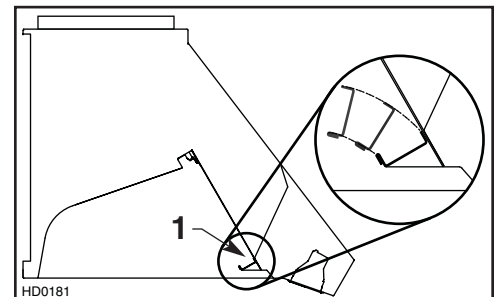
14. REINSTALL THE PAN

Using a Phillips no. 2 or Robertson no. 2 screwdriver and the retaining screws, reinstall the pan (previously removed in step 6) inside the hood (shaded part on illustration beside).



15. REINSTALL GREASE DRIP RAIL(S) AND BAFFLE FILTERS

Reinstall grease drip rail(s) (1). The illustration beside shows how to reinsert the grease drip rail(s) into the range hood.



CAUTION

Remove protective plastic film covering Evolution™ hybrid baffle filters before installing them.

Before reinstalling Evolution™ hybrid baffle filters, slide out the secondary micromesh filters from their back and remove all protective plastic film.

15.1 DUCTED INSTALLATION:

Slide in the secondary filters into each baffle filter before reinstalling them on the hood.

15.2 NON-DUCTED INSTALLATION:

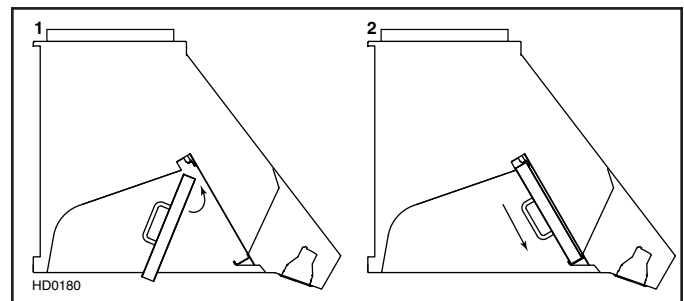
Discard the secondary filters. Slide in the charcoal filters included in the non-duct kit. Reinstall the filters on the hood.

It is recommended to install side filters first and finish with center one(s).

1. Insert one end of Evolution™ hybrid baffle filter into the upper channel of the hood.
2. Raise the other end toward the inside of hood and insert in the grease drip rail of the hood.

Replacement filters are available from your dealer. See label inside hood for size and part number.

For charcoal filter replacement kit, see table on page 12.



16.LIGHT BULBS REPLACEMENT

⚠ WARNING

In order to prevent the risk of personal injury, do not install a lamp identified for use only in enclosed fixtures.

This hood must use 120 V, 50 W, MR16 with GU10 base or PAR16 with GU10 base, shielded halogen lamps (included).

⚠ WARNING

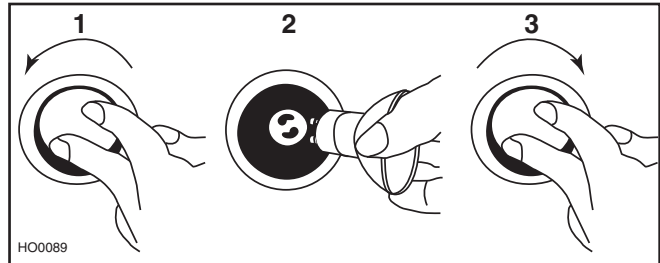
In order to prevent the risk of personal injury, the halogen lamps must be cooled down before removing them.

1. To remove lamps, gently push upwards and turn counterclockwise to disengage bulb leads from their grooves.

NOTE: If need be, use a rubber dishwashing glove to add grip when removing the bulb.

2. Install the new lamps by placing the bulb leads into their grooves in the socket.

3. Gently push upwards and turn clockwise until secure.



17.USE AND CARE

Evolution™ Hybrid Baffle Filters

The Evolution™ hybrid baffle filters should be cleaned frequently. Use a warm detergent solution. Wash more often if your cooking style generates greater grease—like frying foods or wok cooking.

Remove Evolution™ hybrid baffle filters by pushing them towards the back of hood and rotating filters downward. Slide out the secondary micromesh filter from the back of each hybrid baffle filter before cleaning. Baffle filters are dishwasher safe. Clean secondary filters with a warm detergent solution. Allow filters to dry completely before reinstalling them in the hood.

Clean all-metal filters in the dishwasher using a non-phosphate detergent. Discoloration of the filter may occur if using phosphate detergent or as a result of local water conditions—but this will not affect filter performance. This discoloration is not covered by the warranty.

CAUTION

Never attempt to wash the carbon filters in the non-duct kit. Those filters must be replaced by new ones. Refer to the non-duct kit installation instructions for details.

Grease Drip Rail

The grease drip rail should be cleaned frequently. Lift it out from the hood and use a warm detergent solution. As for the baffle filters, wash more often if your cooking style generates greater grease—like frying foods or wok cooking. Allow grease drip rail to dry completely before reinstalling it in the hood.

Blower Cleaning

Remove the filters in order to access the blower. Vacuum blower to clean. Do not immerse in water. Refer to blower instruction manual for more details.

Hood Cleaning

Stainless steel cleaning: How to maintain its “BRIGHT LOOK”

Do:

- Regularly wash with clean cloth or rag soaked with warm water and mild soap or liquid dish detergent.
- Always clean in the direction of original polish lines.
- Always rinse well with clear water (2 or 3 times) after cleaning. Wipe dry completely.
- You may also use a specialized household stainless steel cleaner.

Don't:

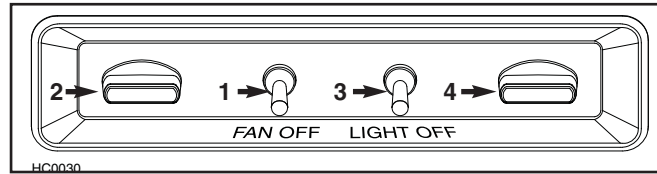
- Use any steel or stainless steel wool or any other scrapers to remove stubborn dirt.
- Use any harsh or abrasive cleansers.
- Allow dirt to accumulate.
- Let plaster dust or any other construction residues reach the hood. During construction or renovation, cover the hood to make sure no dust sticks to stainless steel surface.

Avoid: When choosing a detergent

- Any cleaners that contain **bleach** will attack stainless steel.
- Any products containing: **chloride, fluoride, iodide, bromide** will deteriorate surfaces rapidly.
- Any combustible products used for cleaning such as **acetone, alcohol, ether, benzol**, etc., are highly explosive and should never be used close to a range.

18.OPERATION

Always turn ON your hood before you begin cooking in order to establish an air flow in the kitchen. Let the blower run for a few minutes to clear the air after you turn off the range. This will help keep the whole kitchen cleaner and brighter.



1. ON/OFF Blower switch
2. Blower speed control
3. ON/OFF Halogen light switch
4. Light intensity control

Blower

The blower is operated using two (2) controls.

Use the ON/OFF switch (item 1 on picture above) to start and stop the blower. When turned on, the blower will operate at the previous setting of the speed control (item 2 on picture above).

Turn the speed control knob counterclockwise to increase blower speed—clockwise to decrease speed.

HEAT SENTRY™

This hood is equipped with a HEAT SENTRY™ thermostat. This thermostat is a device that will speed up the blower if it senses excessive heat above the cooking surface.

If blower is ON at a lower speed setting—it turns the blower up to HIGH speed.

When the temperature level drops to normal, the blower will return to its original setting.

Cooktop Lighting (Halogen)

The halogen lighting is controlled by two switches; one ON/OFF switch (item 3 on picture above) and one light intensity control switch.

When turned on, the halogen bulbs will light cooktop at the previous setting of the light intensity control (item 4 on picture above).

Turn the light intensity control knob counterclockwise to increase lighting—clockwise to decrease lighting.

Use 120 V, 50 W, MR16 or PAR16 with GU10 base, shielded halogen lamps (included).

WARRANTY

ONE-YEAR LIMITED WARRANTY FOR BEST PRODUCTS

Broan-NuTone LLC (Broan-NuTone) warrants to the original consumer purchaser of Best products that such products will be free from defects in materials or workmanship for a period of one year from the date of original purchase. THERE ARE NO OTHER WARRANTIES, EXPRESS OR IMPLIED, INCLUDING, BUT NOT LIMITED TO, IMPLIED WARRANTIES OR MERCHANT ABILITY OR FITNESS FOR A PARTICULAR PURPOSE.

During this one-year period, Broan-NuTone will, at its option, repair or replace, without charge, any product or part which is found to be defective under normal use and service.

THIS WARRANTY DOES NOT EXTEND TO FLUORESCENT LAMP STARTERS, TUBES, HALOGEN AND INCANDESCENT BULBS, FUSES, FILTERS, DUCTS, ROOF CAPS, WALL CAPS AND OTHER ACCESSORIES FOR DUCTING. This warranty does not cover (a) normal maintenance and service or (b) any products or parts which have been subject to misuse, negligence, accident, improper maintenance or repair (other than by Broan-NuTone), faulty installation or installation contrary to recommended installation instructions.

The duration of any implied warranty is limited to the one-year period as specified for the express warranty. Some states or provinces do not allow limitation on how long an implied warranty lasts, so the above limitation may not apply to you.

BROAN-NUTONE'S OBLIGATION TO REPAIR OR REPLACE, AT BROAN-NUTONE'S OPTION, SHALL BE THE PURCHASER'S SOLE AND EXCLUSIVE REMEDY UNDER THIS WARRANTY. BROAN-NUTONE SHALL NOT BE LIABLE FOR INCIDENTAL, CONSEQUENTIAL OR SPECIAL DAMAGES ARISING OUT OF OR IN CONNECTION WITH PRODUCT USE OR PERFORMANCE. Some states or provinces do not allow the exclusion or limitation of incidental or consequential damages, so the above limitation or exclusion may not apply to you.

This warranty gives you specific legal rights, and you may also have other rights, which vary from state to state or province to another. This warranty supersedes all prior warranties.

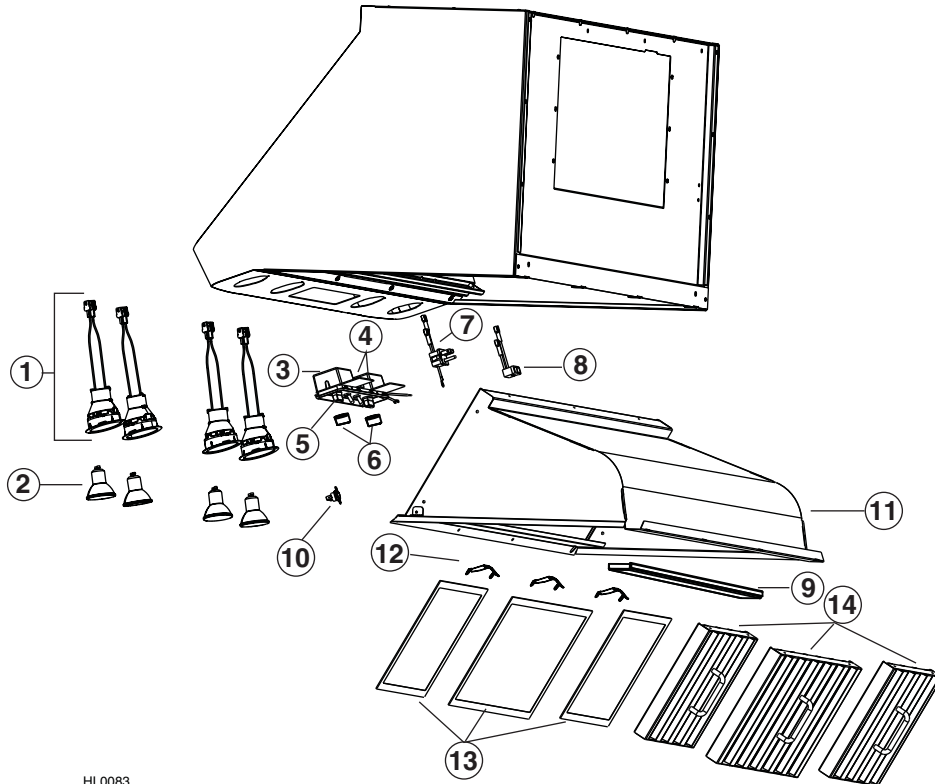
To qualify for warranty service, you must (a) notify Broan-NuTone at the address stated below or telephone number stated below, (b) give the model number and part identification and (c) describe the nature of any defect in the product or part. At the time of requesting warranty service, you must present evidence of the original purchase date.

In USA - Best®, 926 W. State Street, Hartford, WI 53027 (800-558-1711)

In Canada - Best®, 550 Lemire Blvd., Drummondville, QC, Canada, J2C 7W9 (866-737-7770)

www.BestRangeHoods.com

SERVICE PARTS



HI 0083

WP29XX4 MODEL

KEY NO.	PART NUMBER	DESCRIPTION	QTY. (HOOD WIDTH)					
			30"	36"	42"	48"	54"	60"
1	SV16569	LAMP SHELL, SOCKET AND TRIM ASS'Y	4	4	4	6	6	6
2	SV05921	SHIELDED HALOGEN BULBS (50 W, 120 V, PAR16, GU-10)	4	4	4	6	6	6
3	SV03501	ROTARY CONTROL	2	2	2	2	2	2
4	SV07689	TOGGLE SWITCH	2	2	2	2	2	2
5	SV16966	PLASTIC CONTROL FRAME AND KNOB ASS'Y	1	1	1	1	1	1
6	SV07688	KNOB	2	2	2	2	2	2
7	SV13924	MALE CONNECTOR	1	1	1	1	1	1
8	SV13923	FEMALE CONNECTOR	1	1	1	1	1	1
	SV16793	GREASE DRIP RAIL 30"	1	-	-	-	-	2
9	SV16794	GREASE DRIP RAIL 36"	-	1	1	-	-	-
	SV16796	GREASE DRIP RAIL 48"	-	-	-	1	1	-
10	SV03435	THERMISTOR HEAT SENTRY™	1	1	1	1	1	1
	SV17115	INSIDE FRAME ASS'Y (30" x 24" x 18") (INCLUDING ITEM 12)	1	-	-	-	-	-
	SV17116	INSIDE FRAME ASS'Y (36" x 24" x 18") (INCLUDING ITEM 12)	-	1	-	-	-	-
11	SV17117	INSIDE FRAME ASS'Y (42" x 24" x 18") (INCLUDING ITEM 12)	-	-	1	-	-	-
	SV17118	INSIDE FRAME ASS'Y (48" x 24" x 18") (INCLUDING ITEM 12)	-	-	-	1	-	-
	SV17119	INSIDE FRAME ASS'Y (54" x 24" x 18") (INCLUDING ITEM 12)	-	-	-	-	1	-
	SV17120	INSIDE FRAME ASS'Y (60" x 24" x 18") (INCLUDING ITEM 12)	-	-	-	-	-	1
12	SV05528	FILTER SPRING CLIP	3	3	3	3	3	6
13	SV07694	SECONDARY MICROMESH FILTER 8.84" x 8.50"	3	2	2	-	-	6
	SV07695	SECONDARY MICROMESH FILTER 14.84" x 8.50"	-	1	1	3	3	-
14	SV16967	EVOLUTION™ HYBRID BAFFLE FILTER 8.95" x 8.61" x 1" (INCL. ITEM 13)	3	2	2	-	-	6
	SV16968	EVOLUTION™ HYBRID BAFFLE FILTER 14.95" x 8.61" x 1" (INCL. ITEM 13)	-	1	1	3	3	-
*	SV07693	INSTALLATION GUIDE	1	1	1	1	1	1
*	SV12971	PARTS BAG (FLAT HEAD SCREW NO. 10 x 2" [4], SCREWS NO. 8 x 3/4" [8], NUTS NO. 10-32 [4], WALL ANCHORS [2], WASHERS 3/16" ID x 3/4" OD)	1	1	1	1	1	1
*	SV05869	BEST LOGO	1	1	1	1	1	1
*	SV16998	CHARCOAL FILTER KIT (INCLUDING 3 CHARCOAL FILTERS)	1	-	-	-	N/A	N/A
*	SV16999	CHARCOAL FILTER KIT (INCLUDING 3 CHARCOAL FILTERS)	-	1	1	-	N/A	N/A
*	SV17000	CHARCOAL FILTER KIT (INCLUDING 3 CHARCOAL FILTERS)	-	-	-	1	N/A	N/A

* NOT SHOWN.

WP29XX7 MODEL

SAME PART NUMBERS, EXCEPT FOR ITEM 11 (SEE BELOW)

KEY NO.	PART NUMBER	DESCRIPTION	QTY. (HOOD WIDTH)				
			36"	42"	48"	54"	60"
11	SV17121	INSIDE FRAME ASS'Y (36" x 27" x 18") (INCLUDING ITEM 12)	1	-	-	-	-
	SV17122	INSIDE FRAME ASS'Y (42" x 27" x 18") (INCLUDING ITEM 12)	-	1	-	-	-
	SV17123	INSIDE FRAME ASS'Y (48" x 27" x 18") (INCLUDING ITEM 12)	-	-	1	-	-
	SV17124	INSIDE FRAME ASS'Y (54" x 27" x 18") (INCLUDING ITEM 12)	-	-	-	1	-
	SV17125	INSIDE FRAME ASS'Y (60" x 27" x 18") (INCLUDING ITEM 12)	-	-	-	-	1

Free Manuals Download Website

<http://myh66.com>

<http://usermanuals.us>

<http://www.somanuals.com>

<http://www.4manuals.cc>

<http://www.manual-lib.com>

<http://www.404manual.com>

<http://www.luxmanual.com>

<http://aubethermostatmanual.com>

Golf course search by state

<http://golfingnear.com>

Email search by domain

<http://emailbydomain.com>

Auto manuals search

<http://auto.somanuals.com>

TV manuals search

<http://tv.somanuals.com>