

Raynger[®]ST[™]

20/30 Pro



NEW!
Visualize the target area
with circular laser sighting
in the ST30 model.

Raytek[®] Infrared Noncontact
Thermometers are the
professional's choice for:

- Automotive and Diesel
- HVAC/R Systems
- Electrical and Industrial
- Facility Maintenance
- Food Safety
- Asphalt Work
- Fire Safety
- Marine Maintenance

The Professional's Choice

Choose the Raynger ST Pro when you need a dependable, professional tool for day-to-day applications. You won't find other noncontact thermometers with the temperature range, ability to measure so small an area, and comparable laser sighting at this price. Whether you choose the ST20 with single point laser sighting, or the ST30 with offset eight point circular laser sighting, gathering temperature data has just become easier. Simply point, shoot and read.

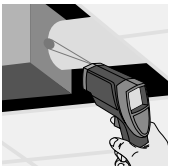
With a wide temperature range, MAX temperature display, and choice of laser sighting options, the ST Pro makes temperature measurement a breeze. Both the ST20 and ST30 feature rugged rubber overmolding, and the ability to be tripod mounted.

Choose the infrared noncontact thermometer that millions of professionals use worldwide. Call today and discover the Raytek advantage—fast, easy and safe temperature measurement backed by over 35 years of experience and top-quality customer service.

Raytek[®]

Specifications and Features

RayngerST



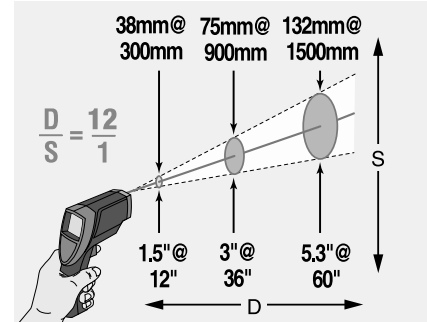
Specifications

Temperature Range	
ST20 Pro	-32 to 400°C (-25 to 750°F)
ST30 Pro	-32 to 545°C (-25 to 950°F)
Accuracy @ 23°C (73°F) ambient operating temperature	1% or ±1°C (±2°F), whichever is greater above 23°C (73°F) ±2°C (±3°F) @ -18 to 23°C (0 to 73°F) ±2.5°C (±4°F) @ -26 to -18°C (-15 to 0°F) ±3°C (±5°F) @ -32 to -26°C (-25 to -15°F)
Repeatability	≤ ±0.5% or ≤ ±1°C (±2°F) whichever is greater
Response Time	≤ 0.5 second (95% of reading)
Ambient Operating Range	0 to 50°C (32 to 120°F)
Power	9V Alkaline or NiCd Battery
Weight	320g (11oz)

Features	ST20 Pro	ST30 Pro
Distance to Spot (D:S)	12:1	12:1
Emissivity	pre-set at 0.95	pre-set at 0.95
Laser Sighting	single point	offset 8 point circular
MAX Temperature Display	✓	✓
Display Hold (7 seconds)	✓	✓
LCD Backlight	✓	✓
Display Resolution	0.2°C (0.5°F)	0.2°C (0.5°F)
Hard Carrying Case	✓	✓

Options/Accessories

- Nylon Holster
- NIST Traceable Calibration Certificate



ST20 and ST30 ProPlus Target Spot Sizes
D:S = 12:1 at Focus Point

For Sales and Ordering Contact:



5710 Kenosha Street
Richmond, Illinois 60071 USA
Phone: +1 (815) 678-2211
FAX: +1 (815) 678-3961
Internet: www.watlow.com
e-mail: info@watlow.com

Your Authorized Watlow Distributor Is:

For Service and Warranty Contact:

Raytek®

Worldwide Headquarters
Raytek Corporation
Santa Cruz, CA USA
Tel: 1 831 458 1110
800 866 5478 (U.S. and Canada only)
Fax: 1 831 425 4561
www.raytek.com



Raytek, the Raytek logo, and Thermalert are registered trademarks of Raytek Corporation.
©2001 Raytek Corporation, Printed in USA, 3/01 Rev. A
Specifications subject to change without notice. 3-1022

RIC-20-0401

Free Manuals Download Website

<http://myh66.com>

<http://usermanuals.us>

<http://www.somanuals.com>

<http://www.4manuals.cc>

<http://www.manual-lib.com>

<http://www.404manual.com>

<http://www.luxmanual.com>

<http://aubethermostatmanual.com>

Golf course search by state

<http://golfingnear.com>

Email search by domain

<http://emailbydomain.com>

Auto manuals search

<http://auto.somanuals.com>

TV manuals search

<http://tv.somanuals.com>