

Pathfinder Radar Scanners Owner's Handbook

Document number: 81154_9
Date:September 2006

Pathfinder Radar Scanners

Owners Handbook

March 2004

Intended Use

The scanner units detailed in this handbook form part of navigational radar systems intended for light marine use. These radar systems are only an aid to navigation.

Safety Notices

This radar equipment must be installed and operated in accordance with the instructions contained in this manual. Failure to do so can result in personal injury and/or navigational inaccuracies. In particular:

1. High Voltage. The scanner unit contains high voltages. Adjustments require specialized service procedures and tools only available to qualified service technicians – there are no user serviceable parts or adjustments. The operator should never remove the scanner unit internal covers or attempt to service the equipment.

2. Electromagnetic Energy. The radar scanner transmits electromagnetic energy. It is important that the radar is turned off whenever personnel are required to come close to the scanner to perform work on the scanner assembly or associated equipment.

It is recommended that the radar scanner is mounted out of range of personnel (above head height).

Do not look directly at the antenna at close range as your eyes are the most sensitive part of the body to electromagnetic energy.

When properly installed and operated, the use of this radar will conform to the requirements of ANSI/IEEE C95.1-1992 Standard for Safety Levels with Respect to Human Exposure to Radio Frequency Electromagnetic Fields, 3 Hz to 300 GHz and NRPB, Board Statement on Restrictions on Human Exposure to Static and Time Varying Electromagnetic Fields and Radiation, Doc NRPB, No. 5 (1993).

3. Navigation Aid. This radar unit is only an aid to navigation. Its accuracy can be affected by many factors, including equipment failure or defects, environmental conditions, and improper handling or use. It is the user's

responsibility to exercise common prudence and navigational judgements. This radar unit should not be relied upon as a substitute for such prudence and judgement.

Raymarine products are supported by a network of Authorized Service Representatives. For information on Raymarine products and services, contact either of the following:

United States	Raymarine Inc. 21 Manchester Street Merrimack NH 03054-4801, USA Telephone +1 603 881 5200 Fax +1 603 864 4756 www.raymarine.com
Europe	Raymarine Limited Anchorage Park Portsmouth Hampshire PO3 5TD England Telephone +44 (0)23 9269 3611 Fax +44 (0)23 9269 4642 www.raymarine.com

Copyright © Raymarine Ltd. 2006

The technical and graphical information contained in this handbook, to the best of our knowledge, was correct as it went to press. However, the Raymarine policy of continuous improvement and updating may change product specifications without prior notice. As a result, unavoidable differences between the product and handbook may occur from time to time, for which liability cannot be accepted by Raymarine.

SeaTalk is a registered trademark of Raymarine Limited.
HSB and hsb² are trademarks of Raymarine Limited.
Pathfinder is a trademark of Raymarine Limited.

Preface

This handbook describes the following Raymarine Pathfinder radar scanners:

5S	48"	4 kW Open Array Scanner
7S	72"	4 kW Open Array Scanner
9S	48"	10 kW Open Array Scanner
11S	72"	10 kW Open Array Scanner

These scanner units may be connected to any HSB/hsb² or C-Series display unit.

The open array scanners must not be used with the SL70, SL70 PLUS, SL70RC PLUS or Autohelm 7" LCD Display Unit. This may result in damage to the display due to the high power requirements of the open array scanner.

The handbook contains very important information on the installation and operation of your new equipment. In order to obtain the best results in operation and performance, please read this handbook thoroughly.

Raymarine's Technical Support representatives or your local dealer will be available to answer any questions you may have.

Display Software Version

For full operation of the Pathfinder scanners, the display unit requires an appropriate software version. For new displays, the correct software version is normally already installed in the display unit and is fully compatible with the Pathfinder scanners.

Early display units may not have the correct software and will therefore require upgrading.

The software version can be confirmed by switching-on the display and checking the version number during the magnetron warm-up sequence.

Note: If a scanner unit is not connected the version number is only displayed for 10 seconds.

Where, necessary Software Upgrade Kits are available from your dealer, distributor or from Raymarine. We recommend that where a repeater display is fitted, both the repeater and the master display are upgraded.

C-Series Display Compatibility

To achieve full compatibility with a C-Series Display, your Raymarine radar scanner may require upgrading. Please refer to the C-Series Display Owner's Handbook, or contact Technical Support for details.

The open array scanners cannot be powered from a C-Series display unit; they must be connected to ship's power using a split pedestal cable or pedestal adaptor cable. Full details are provided in this handbook.

Warranty

To register your Pathfinder Radar Scanner ownership, please take a few minutes to fill out the warranty registration card found at the end of this handbook. It is very important that you complete the owner information and return the card to the factory in order to receive full warranty benefits.

The radome scanner package includes a barcode label indicating the serial number of the unit. This label should be stuck to the warranty registration card. The open array scanner has two barcode labels indicating the serial numbers of the pedestal and the antenna units. Both labels should be stuck to the warranty registration card.

EMC Conformance

All Raymarine equipment and accessories are designed to the best industry standards for use in the leisure marine environment.

The design and manufacture of Raymarine equipment and accessories conform to the appropriate Electromagnetic Compatibility (EMC) standards, but correct installation is required to ensure that performance is not compromised.

Declaration of Conformity

The following Declarations of Conformity, RT033, RT035, RT040 and RT041 apply to the equipment described in this handbook.

EC Declaration of Conformity

We **Raymarine Limited**

**Anchorage Park
Portsmouth
Hampshire
England PO3 5TD**

declare, under our sole responsibility, that the products identified in this declaration, and to which this declaration relates, are in conformity with the essential requirements of European Parliament and Council Directive:

1999/5/EC on radio equipment and telecommunication terminal equipment and the mutual recognition of their conformity.

Specifically this declaration includes conformity to ITU Radio Regulations on Unwanted Emissions of Radar Systems.

Product Name: **Raymarine 4kW Open Array Scanner Unit**

Product Number(s): **M92654**

Ancillary Units **Details are given on Sheet 2**

The products have been assessed to Conformity Procedure Annex IV of the Directive and by application of the following standard(s):

EMC	EN 60945 : 1997
Health & Safety	EN 60945 : 1997
Out of Band Emissions	ITU-R M1541
Spurious Emissions	ITU-R M1177-2

*The assessment is consistent with a Technical Construction File showing conformity with the essential requirements of the Directive and has been reviewed by Notified Body No. **0191***

The product is labelled with the CE conformity marking, the identification number of the Notified Body and class identifier.

Signatory:	Name	Adil Abbas
	Title	EMC Manager
	Company Name	Raymarine Limited
	Company Address	Anchorage Park Portsmouth, Hampshire England PO3 5TD

Signature

Date

23rd December 2002

Declaration of Conformity – Schedule of Ancillary Equipment and Radar Systems

The following units are combined with the 4kW, Open Array Scanner Unit (transceiver) listed on Sheet 1 to form the operational Raytheon or Raymarine radar systems given below. Details of these units are included in the Technical Construction File:

DISPLAY (one of)

Description	Designation	Part No.
Display Unit, 7" Mono LCD	SL70M PLUS	E52043
Display Unit, 7" Mono LCD/Chart	SL70MRC PLUS	E52044
Display Unit, 7" Mono LCD/hsb ²	RL70 PLUS	E52031
Display Unit, 7" Mono LCD/hsb ² /Chart	RL70RC PLUS	E52032
Display Unit, 7" CRT/hsb ²	R70 PLUS	E52039
Display Unit, 7" CRT/hsb ² /Chart	R70RC PLUS	E52040
Display Unit, 10" CRT/hsb ²	R80 PLUS	E52035
Display Unit, 10" CRT/hsb ² /Chart	R80RC PLUS	E52036
Display Unit, 7" Colour LCD	SL70C PLUS	E52045/E52045HB
Display Unit, 7" Colour LCD /Chart	SL70CRC PLUS	E52046/E52046HB
Display Unit, 7" Colour LCD/hsb ²	RL70C PLUS	E52033/E52033HB
Display Unit, 7" Colour LCD hsb ² /Chart	RL70CRC PLUS	E52034/E52034HB
Display Unit, 10" Colour LCD/hsb ²	RL80C PLUS	E52037
Display Unit, 10" Colour LCD/hsb ² /Chart	RL80CRC PLUS	E52038

Note: 7" Colour LCD Units with "HB" suffix Part No's, have higher brightness displays.

ANTENNA (one of)

Description	Scanner Unit Designation (Transceiver + Antenna)	Part No.
48" Antenna	5S	M92693
72" Antenna	7S	M92743

PATHFINDER RADAR SYSTEMS

Radar System	Designation	
	Scanner	Display Unit
SL75M PLUS	5S	SL70M PLUS
SL75MRC PLUS	5S	SL70MRC PLUS
RL75 PLUS	5S	RL70 PLUS
RL75RC PLUS	5S	RL70RC PLUS
R75 PLUS	5S	R70 PLUS
R75RC PLUS	5S	R70RC PLUS
R85 PLUS	5S	R80 PLUS
R85RC PLUS	5S	R80RC PLUS
SL75C PLUS	5S	SL70C PLUS
SL75CRC PLUS	5S	SL75CRC PLUS
RL75C PLUS	5S	RL70C PLUS
RL75CRC PLUS	5S	RC70CRC PLUS
RL85C PLUS	5S	RL80C PLUS
RL85CRC PLUS	5S	RL80CRC PLUS

Radar System	Designation	
	Scanner	Display Unit
SL77M PLUS	7S	SL70M PLUS
SL77MRC PLUS	7S	SL70MRC PLUS
RL77 PLUS	7S	RL70 PLUS
RL77RC PLUS	7S	RL70RC PLUS
R77 PLUS	7S	R70 PLUS
R77RC PLUS	7S	R70RC PLUS
R87 PLUS	7S	R80 PLUS
R87RC PLUS	7S	R80RC PLUS
SL77C PLUS	7S	SL70C PLUS
SL77CRC PLUS	7S	SL70CRC PLUS
RL77C PLUS	7S	RL70C PLUS
RL77CRC PLUS	7S	RC70CRC PLUS
RL87C PLUS	7S	RL80C PLUS
RL87CRC PLUS	7S	RL80CRC PLUS

EC Declaration of Conformity

We **Raymarine Limited**

**Anchorage Park
Portsmouth
Hampshire
England PO3 5TD**

declare, under our sole responsibility, that the products identified in this declaration, and to which this declaration relates, are in conformity with the essential requirements of European Parliament and Council Directive:

1999/5/EC on radio equipment and telecommunication terminal equipment and the mutual recognition of their conformity.

Specifically this declaration includes conformity to ITU Radio Regulations on Unwanted Emissions of Radar Systems.

Product Name:

**Raymarine 10kW Open Array
Scanner Unit**

Product Number(s):

M92655

Ancillary Units

Details are given on Sheet 2

The products have been assessed to Conformity Procedure Annex IV of the Directive and by application of the following standard(s):

EMC
Health & Safety
Out of Band Emissions
Spurious Emissions

**EN 60945 : 1997
EN 60945 : 1997
ITU-R M1541
ITU-R M1177-2**

The assessment is consistent with a Technical Construction File showing conformity with the essential requirements of the Directive and has been reviewed by Notified Body No. 0191

The product is labelled with the CE conformity marking, the identification number of the Notified Body and class identifier.

Signatory:

Name
Title
Company Name
Company Address

**Adil Abbas
EMC Manager
Raymarine Limited
Anchorage Park
Portsmouth, Hampshire
England PO3 5TD**

Signature

Date

February 2002

Declaration of Conformity – Schedule of Ancillary Equipment and Radar Systems

The following units are combined with the 10kW, Open Array Scanner Unit (transceiver) listed on Sheet 1 to form the operational Raymarine radar systems given below. Details of these units are included in the Technical Construction File:

DISPLAY (one of)

Description	Designation	Part No.
Display Unit, 7" Mono LCD	SL70M PLUS	E52043
Display Unit, 7" Mono LCD/Chart	SL70MRC PLUS	E52044
Display Unit, 7" Mono LCD/hsb ²	RL70 PLUS	E52031
Display Unit, 7" Mono LCD/hsb ² /Chart	RL70RC PLUS	E52032
Display Unit, 7" CRT/hsb ²	R70 PLUS	E52039
Display Unit, 7" CRT/hsb ² /Chart	R70RC PLUS	E52040
Display Unit, 10" CRT/hsb ²	R80 PLUS	E52035
Display Unit, 10" CRT/hsb ² /Chart	R80RC PLUS	E52036
Display Unit, 7" Colour LCD	SL70C PLUS	E52045/E52045HB
Display Unit, 7" Colour LCD /Chart	SL70CRC PLUS	E52046/E52046HB
Display Unit, 7" Colour LCD/hsb ²	RL70C PLUS	E52033/E52033HB
Display Unit, 7" Colour LCD hsb ² /Chart	RL70CRC PLUS	E52034/E52034HB
Display Unit, 10" Colour LCD/hsb ²	RL80C PLUS	E52037
Display Unit, 10" Colour LCD/hsb ² /Chart	RL80CRC PLUS	E52038

Note: 7" Colour LCD Units with "HB" suffix Part No's, have higher brightness displays.

ANTENNA (one of)

Description	Scanner Unit Designation (Transceiver + Antenna)	Part No.
48" Antenna	5S	M92693
72" Antenna	7S	M92743

PATHFINDER RADAR SYSTEMS

Radar System	Designation	
	Scanner	Display Unit
SL79M PLUS	9S	SL70M PLUS
SL79MRC PLUS	9S	SL70MRC PLUS
RL79 PLUS	9S	RL70 PLUS
RL79RC PLUS	9S	RL70RC PLUS
R79 PLUS	9S	R70 PLUS
R79RC PLUS	9S	R70RC PLUS
R89 PLUS	9S	R80 PLUS
R89RC PLUS	9S	R80RC PLUS
SL79C PLUS	9S	SL70C PLUS
SL79CRC PLUS	9S	SL75CRC PLUS
RL79C PLUS	9S	RL70C PLUS
RL79CRC PLUS	9S	RC70CRC PLUS
RL89C PLUS	9S	RL80C PLUS
RL89CRC PLUS	9S	RL80CRC PLUS

Radar System	Designation	
	Scanner	Display Unit
SL711M PLUS	11S	SL70M PLUS
SL711MRC PLUS	11S	SL70MRC PLUS
RL711 PLUS	11S	RL70 PLUS
RL711RC PLUS	11S	RL70RC PLUS
R711 PLUS	11S	R70 PLUS
R711RC PLUS	11S	R70RC PLUS
R811 PLUS	11S	R80 PLUS
R811RC PLUS	11S	R80RC PLUS
SL711C PLUS	11S	SL70C PLUS
SL711CRC PLUS	11S	SL70CRC PLUS
RL711C PLUS	11S	RL70C PLUS
RL711CRC PLUS	11S	RC70CRC PLUS
RL811C PLUS	11S	RL80C PLUS
RL811CRC PLUS	11S	RL80CRC PLUS

EC Declaration of Conformity

We **Raymarine Limited**

**Anchorage Park
Portsmouth
Hampshire
England PO3 5TD**

declare, under our sole responsibility, that the products identified in this declaration, and to which this declaration relates, are in conformity with the essential requirements of European Parliament and Council Directive:

1999/5/EC on radio equipment and telecommunication terminal equipment and the mutual recognition of their conformity.

Specifically this declaration includes conformity to ITU Radio Regulations on Unwanted Emissions of Radar Systems.

Product Name:

**Raymarine 4kW Open Array
Scanner Unit**

Product Number(s):

M92654, from S/n 0132000

Ancillary Units

C-series Displays - details given on Sheet 2

The products have been assessed to Conformity Procedure Annex IV of the Directive and by application of the following standard(s):

EMC
Health & Safety
Out of Band Emissions
Spurious Emissions

**EN 60945 : 2002
EN 60945 : 2002
ITU-R M1541
ITU-R M1177-2**

The assessment is consistent with a Technical Construction File showing conformity with the essential requirements of the Directive and has been reviewed by Notified Body No. 0191

The product is labelled with the CE conformity marking, the identification number of the Notified Body and class identifier.

Signatory:

Name
Title
Company Name
Company Address

**Adil Abbas
International Compliance Manager
Raymarine Limited
Anchorage Park
Portsmouth, Hampshire
England PO3 5TD**

Signature

Date

13 February 2004

Certificate No.

RT040

Declaration of Conformity – Schedule of Ancillary Equipment

The following Raymarine Display Units are combined with the Raymarine 4kW, Open Array Scanner Unit (transceiver) listed on Sheet 1 to form the operational radar systems. Details of these units are included in the Technical Construction File:

DISPLAY (one of)

Description	Designation	Part No.
Display Unit, 7" Colour LCD /Chart	C70	E02018
Display Unit, 8" Colour LCD/Chart	C80	E02020
Display Unit, 12" Colour LCD/Chart	C120	E02022

ANTENNA (one of)

Description	Scanner Unit Designation (Transceiver + Antenna)	Part No.
48" Antenna Array	5S	M92693
72" Antenna Array	7S	M92743

EC Declaration of Conformity

We **Raymarine Limited**

**Anchorage Park
Portsmouth
Hampshire
England PO3 5TD**

declare, under our sole responsibility, that the products identified in this declaration, and to which this declaration relates, are in conformity with the essential requirements of European Parliament and Council Directive:

1999/5/EC on radio equipment and telecommunication terminal equipment and the mutual recognition of their conformity.

Specifically this declaration includes conformity to ITU Radio Regulations on Unwanted Emissions of Radar Systems.

Product Name:

**Raymarine 10kW Open Array
Scanner Unit**

Product Number(s):

M92655, from S/n 0332000

Ancillary Units

C-series Displays - details given on Sheet 2

The products have been assessed to Conformity Procedure Annex IV of the Directive and by application of the following standard(s):

EMC
Health & Safety
Out of Band Emissions
Spurious Emissions

**EN 60945 : 2002
EN 60945 : 2002
ITU-R M1541
ITU-R M1177-2**

The assessment is consistent with a Technical Construction File showing conformity with the essential requirements of the Directive and has been reviewed by Notified Body No. 0191

The product is labelled with the CE conformity marking, the identification number of the Notified Body and class identifier.

Signatory:

Name
Title
Company Name
Company Address

**Adil Abbas
International Compliance Manager
Raymarine Limited
Anchorage Park
Portsmouth, Hampshire
England PO3 5TD**

Signature

Date

13 February 2004

Certificate No.

RT041

Declaration of Conformity – Schedule of Ancillary Equipment

The following Raymarine Display Units are combined with the Raymarine 10kW, Open Array Scanner Unit (transceiver) listed on Sheet 1 to form the operational radar systems. Details of these units are included in the Technical Construction File:

DISPLAY (one of)

Description	Designation	Part No.
Display Unit, 7" Colour LCD /Chart	C70	E02018
Display Unit, 8" Colour LCD/Chart	C80	E02020
Display Unit, 12" Colour LCD/Chart	C120	E02022

ANTENNA (one of)

Description	Scanner Unit Designation (Transceiver + Antenna)	Part No.
48" Antenna Array	9S	M92693
72" Antenna Array	11S	M92743

Chapter 2: Overview

2.1 Introduction

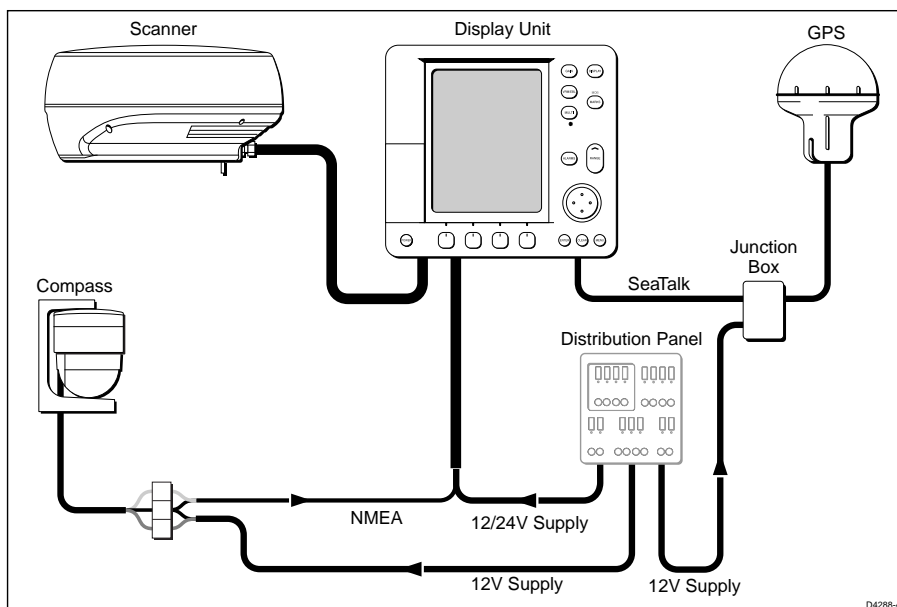
This handbook provides instructions to assist you in the installation and set up of the following radar scanners:

- 5S 48" 4 kW Open Array Scanner
- 7S 72" 4 kW Open Array Scanner
- 9S 48" 10 kW Open Array Scanner
- 11S 72" 10 kW Open Array Scanner

These scanner units may be connected to any HSB/*hsb*² or C-Series display unit.

Note: To achieve full compatibility with a C-Series Display, your Raymarine radar scanner may require upgrading. Please refer to the C-Series Display *Owner's Handbook*, or contact Technical Support for details.

A typical Pathfinder Radar system is illustrated below.



CAUTION:

Do not use an open array scanner with an SL70, SL70 PLUS or SL70RC PLUS 7" LCD display unit. Failure to observe this may result in permanent damage to these display units. The 10 kW open array scanner requires 24 V or higher; it will not operate on 12 V systems.

This handbook is divided into three chapters as follows:

Chapter One provides information to help you plan the scanner installation. It includes sections on Unpacking and Inspecting the Components, Selecting the Scanner Site, Cable Requirements and Power Requirements.

Chapter Two provides detailed instructions on how to mount and connect each type of scanner.

Chapter Three provides instructions on how to perform the system checks, alignment and adjustments. It also provides information on maintenance and what to do if you have problems.

EMC installation guidelines

All Raymarine equipment and accessories are designed to the best industry standards for use in the leisure marine environment.

Their design and manufacture conforms to the appropriate Electromagnetic Compatibility (EMC) standards, but correct installation is required to ensure that performance is not compromised. Although every effort has been taken to ensure that they will perform under all conditions, it is important to understand what factors could affect the operation of the product.

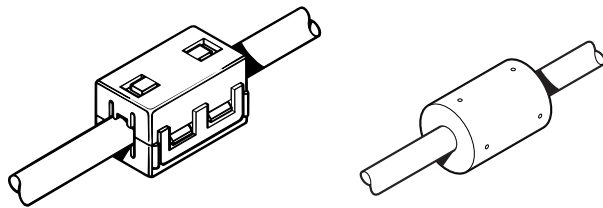
The guidelines given here describe the conditions for optimum EMC performance, but it is recognized that it may not be possible to meet all of these conditions in all situations. To ensure the best possible conditions for EMC performance within the constraints imposed by any location, always ensure the maximum separation possible between different items of electrical equipment.

For **optimum** EMC performance, it is recommended that **wherever possible**:

- Raymarine equipment and cables connected to it are:
 - At least 1 m (3 ft) from any equipment transmitting or cables carrying radio signals e.g. VHF radios, cables and antennas. In the case of SSB radios, the distance should be increased to 2 m (7 ft).
 - More than 2 m (7 ft) from the path of a radar beam. A radar beam can normally be assumed to spread 20 degrees above and below the radiating element.

- The equipment is supplied from a separate battery from that used for engine start. Voltage drops below 10 V (20 V for 10 kW open array scanners) in the power supply to our products, and starter motor transients, can cause the equipment to reset. This will not damage the equipment, but may cause the loss of some information and may change the operating mode.
- Raymarine specified cables are used at all times. Cutting and rejoining these cables can compromise EMC performance and so must be avoided unless doing so is detailed in the installation manual.
- If a suppression ferrite is attached to a cable, this ferrite should not be removed. If the ferrite needs to be removed during installation it must be reassembled in the same position. *Section 2.1, Radome scanner* includes instructions on fitting a ferrite.

The following illustration shows a typical range of suppression ferrites fitted to Raymarine equipment.



D3548-4

Connections to Other Equipment

If your Raymarine equipment is to be connected to other equipment using a cable not supplied by Raymarine, a suppression ferrite **MUST** always be fitted to the cable close to the Raymarine unit.

2.2 Unpacking and inspecting the components

Unpack your system carefully, to prevent damage to the equipment. It is good practice to save the carton and packing for future use, in case you need to return the unit for service. Check that you have all the correct system components. These depend on your system package, as detailed in the following tables.

Table 2-1: Open array scanners

Item	Part No.	Supplied with:	Option for:
4 kW Scanner Pedestal	M92654-S	5S, 7S	-
10 kW Scanner Pedestal	M92655-S	9S, 11S	-
48" Open Array	M92693	5S, 9S	-
72" Open Array	M92743	7S, 11S	-
Pathfinder Cables			
Inter-unit cable 15 m heavy	M92728	-	5S, 7S, 9S, 11S
Inter-unit cable 25 m heavy	M92705	-	5S, 7S, 9S, 11S
Cable kit: 5 m + 10 m extension (To fit open array scanner on a radar arch)	E55017	-	5S, 7S, 9S, 11S
Extension cable 5m	M92699	-	5S, 7S, 9S, 11S
Extension cable 10m	M92700	-	5S, 7S, 9S, 11S
Note: 9S and 11S scanners require 24/32V			
C-Series Cables			
Split pedestal cable 25m	E05017	-	5S, 7S, 9S, 11S
Split pedestal cable 15m	E05018	-	5S, 7S, 9S, 11S
Pedestal adaptor cable	E05019	-	5S, 7S, 9S, 11S
Software Upgrade Kit	Please contact your authorized dealer or distributor for details		

2.3 Selecting the scanner unit site

This section provides information that affects the possible locations of the scanner, and its position relative to the display unit and to the power supply.

The dimensions of the each scanner unit are shown in the following diagrams.

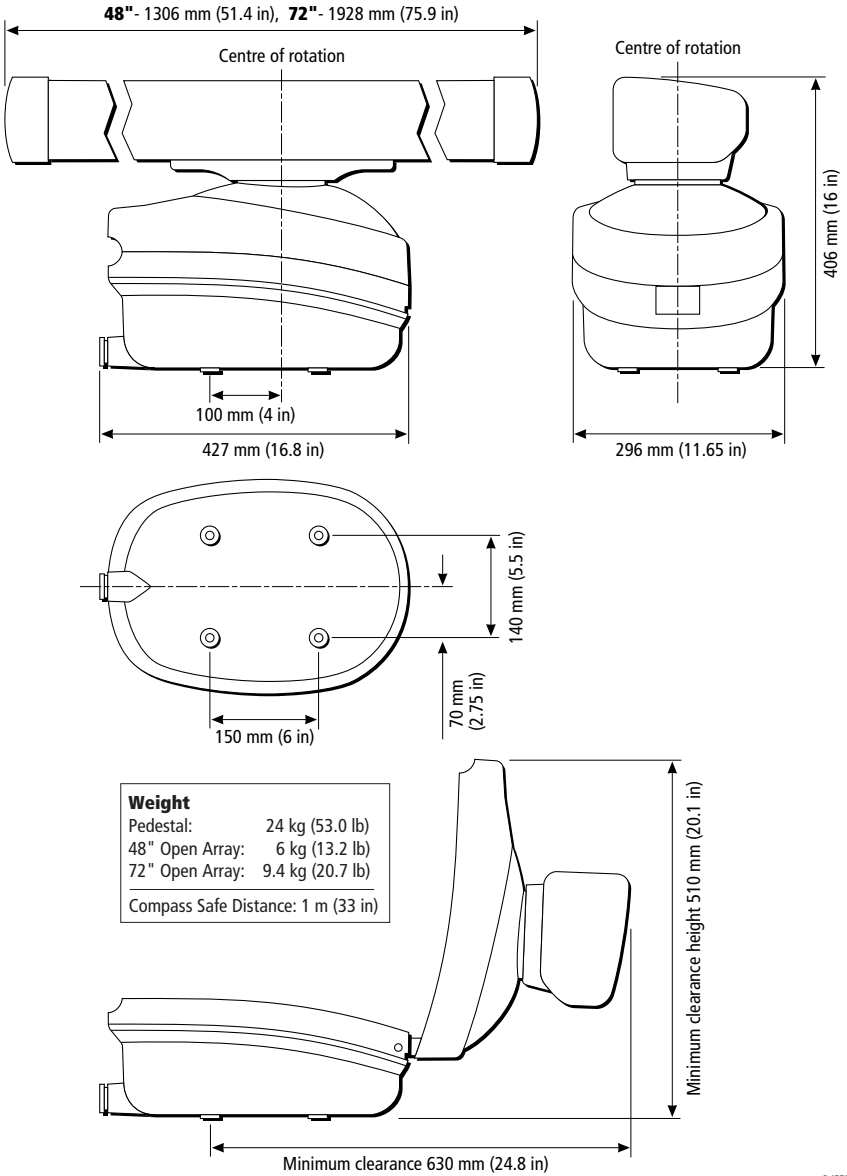
Selecting the best location for the scanner unit requires careful consideration of the following points, to ensure reliable and trouble free operation:

Note: *In order to minimize potential interference to other systems on board ship (EMC), it is advisable to mount the scanner on a part of the boat that is insulated from the ship's battery negative. If you cannot do this, and encounter problems, you can fit insulating bushes between the scanner and its mounting bracket.*

- **Height:** The scanner unit should normally be mounted as high as practical above the waterline, for three reasons:
 - For safety reasons the scanner should be out of range of personnel, preferably above head height. This avoids mechanical danger and electro-magnetic contact, particularly with the eyes.

- Radar operates at the line-of-sight, so a high mounting position gives better long range performance.
- Surrounding large objects, in the same horizontal plane, can interfere with the radar signal and cause blind areas or shadow sectors and false targets on the radar screen (see below).

However, do not mount the scanner so high that it is affected by the pitching and rolling of the vessel. In addition, you may need to lower the scanner to avoid creating a shadow sector underneath the scanner's beam.



- **Access:** The scanner unit site should be easily accessible to allow maintenance to be carried out safely.
- **Magnetic compass:** Mount the scanner unit at least 1 m away from a magnetic compass.
- **Cable run:** The maximum length of cable between the display unit and the scanner unit should not normally exceed 20 m (60 ft) for radome scanners, or 15 m (45 ft) for open array scanners. If you need to use a longer cable power cable lengths must be considered, refer to *Section 1.4 Cable Runs* to determine appropriate lengths.
- **Shadow sectors and false echoes:** Mount the scanner away from large structures or equipment, such as the fly bridge, large engine stacks, searchlights, horns, or masts. It is particularly important to avoid shadow sectors near the bow. Raising or even lowering the scanner may help to reduce these effects.

In shadow areas beyond the obstruction there will be a reduction of the beam intensity, although not necessarily a complete cut-off; there will be a blind sector if the subtended angle is more than a few degrees.

In some shadow sectors the beam intensity may not be sufficient to obtain an echo from a very small object, even at close range, despite the fact that a large vessel can be detected at a much greater range. For this reason the angular width and relative bearing of any shadow sector must be determined at installation. Sometimes shadowing can be seen by increasing the radar gain until noise is present. Dark sectors indicate possible shadowed areas. This information should be posted near the display unit and operators must be alert for targets in these blind sectors.

It should also be noted that wet sails create shadow areas and thus sail boat operators should be aware that radar performance may reduce in rain.

If you mount the scanner on a mast, echoes from the mast may appear on the radar display. These can be minimized by placing absorbing material, such as a block of wood, between the scanner and mast.

- **Platform rigidity/stability:** The scanner platform should not twist (causing bearing errors) or be subject to excessive vibration.
- **Heat/fumes:** Mount the scanner away from the top of exhaust stacks, since the scanner and cables can be damaged by excessive heat and the corrosive effects of exhaust gases.

For open array scanners you should also consider the following points:

- **Mounting Platform:** The platform must be mechanically secure and capable of supporting the mass and inertia of the open array scanner. The complete unit weighs: 48" scanner - 30 kg (66.2 lb); 72" scanner - 33.4 kg (73.7 lb).
- The site must be clear of ropes and moving rigging.
- Sufficient clearance must be allowed to fully open the open array pedestal for maintenance.

Mounting surface: sailboats

The scanner unit can be installed on a mast platform, an arch, or a bridge structure. Make sure that the platform surface is flat and the scanner unit drain hole (radome scanners) is not obstructed. Raymarine recommends that radome scanner units are best suited for sailboat operation as open array systems are more difficult to protect from ropes and sails.

For sailboat installations, Raymarine offers a universal mast mount kit for each radome scanner type. This optional mount is used to fit a radome scanner to a flat surface on a mast with a minimum diameter of 60 mm (2½ in). When using the mast mount kit, appropriate hardware should be used for the style and structure of the mast aboard the vessel. Typically, the scanner will be mounted near the first set of mast spreaders. If there is any doubt concerning the appropriate type of hardware, consult your boat dealer or representative for their recommendations.

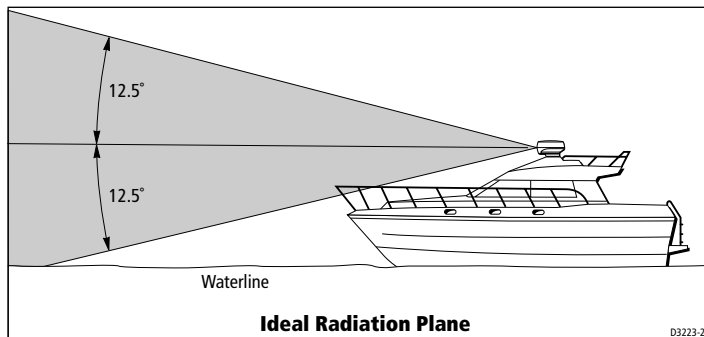
Depending on the type of sailboat, a radar scanner guard should be installed if the sails could touch the scanner or platform. Without a proper radar guard the mounting platform and the radar scanner could be severely damaged.

Mounting surface: power boats

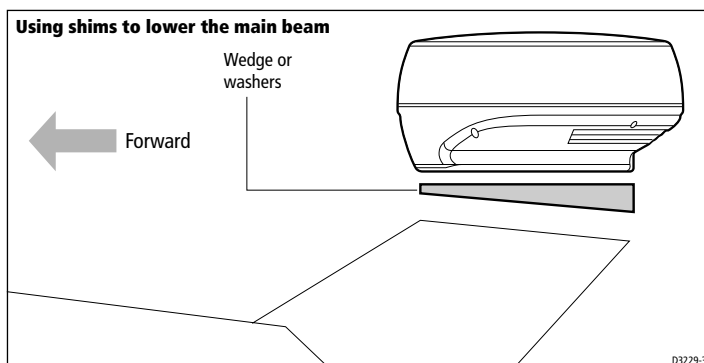
On many small vessels the scanner unit can be installed on a mast platform, an arch, or a bridge structure, but take care to follow the scanner site guidelines, particularly regarding height. If necessary, construct a radar mounting platform to obtain a sufficiently high mounting position. Make sure that the platform surface is flat and the scanner unit drain hole (radome scanners) is not obstructed. Ensure the platform is strong enough to support the maximum shock loads likely to occur.

Setting the radiation plane

The scanner unit should be mounted so that the array rotates parallel to the waterline. The radar beam is approximately 25° wide in the vertical direction, providing good target detection during the vessel's pitching and rolling.



Planing hull vessels, and some displacement hull vessels, adopt a higher bow angle when the vessel is at its cruising speed. In many cases this substantially alters and raises the radar's main radiation plane, and can cause poor detection of nearby targets. It may be helpful to lower the radar beam back towards the parallel, by shimming the rear of the radar, so that the beam points slightly downwards with respect to the waterline when the vessel is at rest.



The shims may be made from aluminium plate wedges, simple flat washers, or an angled wooden block. For thick shims, you may need longer securing bolts than the M8x40 bolts supplied with the radome scanner, or the M10 studding supplied with the open array scanners.

2.4 Cable Requirements

This section provides details on selecting the appropriate cables for your system. Permissible cable lengths depend on the scanner type and the boat's power system. Information on inter-unit and power cables is provided for both radome and open array scanners in the following sections.

You need to consider the following before installing the cables:

- You need to connect the scanner to the display unit and to power. The cable required depends on the display unit and the scanner type as described below.
- All cables should be adequately clamped and protected from physical damage and exposure to heat - avoid running cables through bilges or doorways, or close to moving or hot objects.
- Acute bends must be avoided.
- Where a cable passes through an exposed bulkhead or deckhead, a water-tight gland or *swan neck* tube should be used.
- Avoid cutting and re-joining cables (if necessary, refer to the notes below).

Scanner Cables

The cable used to connect your scanner to the display unit and power depends on the type of scanner and display as follows:

- A radome scanner connected to a Pathfinder or C-Series display requires an inter-unit cable. The scanner receives power via the display unit, the power cable is supplied with the display unit but cable details are provided in this section.
- An open array scanner connected to a Pathfinder display requires an inter-unit cable. The scanner receives power via the display unit, the power cable is supplied with the display unit but cable details are provided in this section.
- An open array scanner cannot be powered from a C-Series Display; it requires a split pedestal cable which combines the inter-unit and power cores.
- If you are connecting a C-series display to an existing open array scanner unit with a standard inter-unit cable, you can use the adaptor cable instead of the split pedestal cable; connect the adaptor between the inter-unit cable and the display.

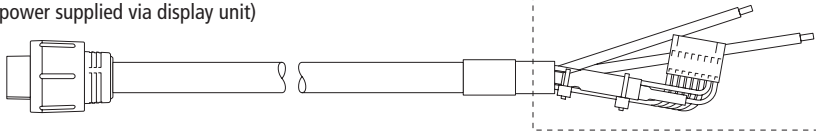
These cables are illustrated in the following diagram. Cable lengths and part numbers are listed in *Unpacking and inspecting the components on page clxxxvii*.

CAUTION:
The cable for connecting an open array scanner to a C-series display cannot be extended.

Radome inter-unit cable for use with Pathfinder and C Series displays

To display or extension
 (power supplied via display unit)

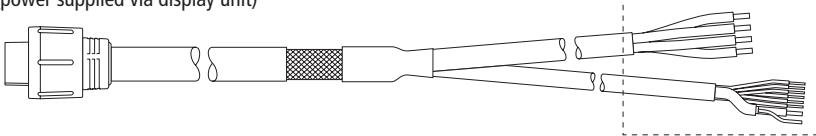
To Radome Scanner



Open array inter-unit cable for use with Pathfinder displays

To display or extension
 (power supplied via display unit)

To Open Array Scanner

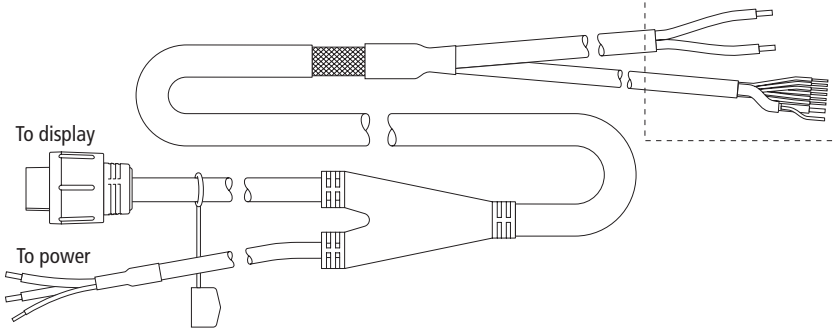


Split pedestal cable for use with new open array scanner and C-Series display

To display

To power

To Open Array Scanner

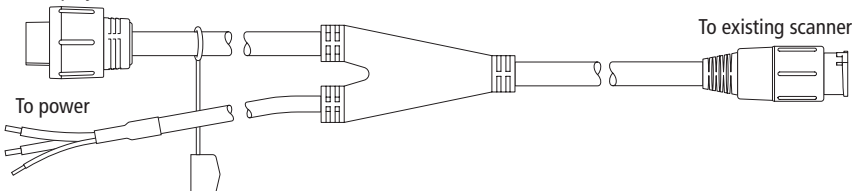


Adaptor cable for use with existing open array scanner and C Series display

To display

To power

To existing scanner



Running the cable to the scanner

CAUTION:

Do not pull the cable through bulkheads using a cord attached to the connector. This could damage the connections.

The cable entrance is at the rear of the scanner unit. If the unit is mounted on a hollow mast the cable may be run inside the mast and then fed through the radar's cable entrance. Make sure that the cable does not chafe where it enters and exits the mast.

***Note:** Route the cable from the display up to the scanner, since this will require the smallest clearance hole.*

Rejoining cables

You should avoid cutting and re-joining cables. If this is necessary you must:

- Fit a ferrite on each side of the join. The specific ferrite to use depends on the cable type - contact Raymarine for details.
- Take care not to damage any of the wires. Make sure that all the wires and, in particular, the screen are reconnected correctly.

If you are mounting the scanner on the mast of a sailboat, and will need to unstep the mast, you should install a suitable junction box inside the boat.

On an open array scanner, the junction box should provide a 13-way terminal strip with a 20 A rating for power cores. It is essential that all 4 power cores are connected and that the connection is of very low resistance as considerable power passes through this connection. Also, you should keep the length of the un-screened coaxial cores to less than 30 mm to maintain EMC conformance.

CAUTION:

The display connector on the scanner cable is a moulded plug that cannot be replaced. DO NOT remove this moulded plug.

The minimum bends permitted are:

Minimum bend, light cable	60 mm (~2.5 in) radius
Minimum bend, heavy cable	82 mm (~3.75 in) radius

Open array scanner cables for Pathfinder displays

Inter-unit cable

The Pathfinder display inter-unit cables have a connector plug at one end for connecting to the display unit or extension cable; the other end is prepared ready to fit to the power and signal connectors (see *Section 2.2*).

Heavy duty cables are available in 15 m and 25 m lengths which should be sufficient to complete the cable run required on most small vessels. For longer runs, 5 m and 10 m extension cables are available, both have 4 power cores to minimize voltage drops over the cable run and incorporate in-line moulded plugs.

The maximum inter-unit cable length is limited by the minimum supply voltage and the scanner type.

CAUTION:

10 kW scanner systems cannot be used directly with 12 V systems; they require a 12 V to 24 V converter rated to 180 W. Contact your authorized Raymarine dealer or distributor for details.

12 V Systems (4 kW scanners only)

For vessels with 12 V power systems, the recommended cable(s) for different run lengths are given in the following table, which assumes a minimum supply voltage of 10.7 V (the lowest voltage likely to be reached by a 12 V battery in normal marine use). **Do not use cable combinations that are not included in the table.**

Table 2-2: Recommended 4 kW Open Array Scanner Inter-Unit Cable(s) for Vessels with 12 V Power Systems

Inter-Unit Cable Length Required (m)	4 kW Scanners
5	5m heavy
15	15 m heavy
15	5 m heavy + 10 m extension

Refer to the packing list in *Section 1.2* for cable part numbers

24 V and 32 V Systems - 4 kW scanners

For vessels with 24 V and 32 V power systems, any combination of inter-unit cable up to a maximum length of 35 m can be used.

24 V and 32 V Systems - 10kW scanners

10 kW open array scanners can use any combination of inter-unit cable up to a maximum length of 35 m. However, these systems use considerable power and installations should be planned to minimize all cable lengths. Refer to the tables on page 1-19, *Max. Extension Power Cable Lengths (m) - 10 kW Scanner*.

Power cable

The open array scanner systems are intended for use on ships' DC power systems operating in the following ranges:

4 kW	10.7 to 44 V DC range (that is, 12 V, 24 V and 32 V systems)
10 kW	20 to 44 V DC range (that is, 24 V and 32 V systems).

CAUTION:

Do not use the open array scanner with an SL70, SL70 PLUS, SL70RC PLUS or Autohelm 7" LCD display unit. Failure to observe this may result in permanent damage to the display unit.

10 kW open array scanner systems cannot be used directly with 12 V systems; they require a 12 V to 24 V converter rated to 180 W. Contact your authorized Raymarine dealer or distributor for details.

Open array scanners draw considerable power from the vessels power source, especially in high wind speeds. It is essential for reliable operation that the unit is supplied with a low resistance power cable system, especially when operated from a 12 V power system.

12 V systems (4 kW scanners only)

Extensions to the supplied power cable must be kept to a minimum and the power should be fed directly from the output of the battery isolator switch via its own dedicated cable system. It is recommended that no additional power switch is included in this power cable.

CAUTION:

The display unit does not include a fuse for scanner power, so an in-line fuse or circuit breaker MUST be included in the power cable.

All power connections must be of high quality to minimize their resistance and to remove the risk of accidental shorts. Recommended maximum power cable extensions are given in the table below. These figures relate to the total cable extension, from the end of the supplied 1.5 m power cable to the system battery terminals. Do not exceed these lengths as unreliable operation may result.

Table 2-3: Max. Extension Power Cable Lengths (m), 12 V Systems - 4 kW scanners

	Power Cable Core Size (each core)			
	mm: 4.0	6.0	8.0	10.0
	AWG: 11	10	8	7
4 kW Scanners	<3.0	4.5	6.0	7.5

Note: *If the required extension results in unacceptably large diameter cables, use two or more smaller gauge wires to achieve the required copper wire cross-section. For example, using two pairs of 2 mm² is equivalent to using two single 4.0 mm² cables.*

24 V and 32 V systems

These systems are less sensitive than 12 V systems to voltage loss in the power cables. However, it is still necessary to use adequate cables to prevent excessive power loss. The table below gives the recommended wire gauge for different power cable extension lengths. Raymarine recommends that power is fed directly from the output of the battery isolator switch via its own dedicated cable system.

CAUTION:

The display unit does not include a fuse for scanner power, so an in-line fuse or circuit breaker MUST be included in the power cable.

Note: *If the required extension results in unacceptably large diameter cables, use two or more smaller gauge wires to achieve the required copper wire cross-section. For example, using two pairs of 2 mm² is equivalent to using two single 4.0 mm² cables.*

Table 2-4: Max. Extension Power Cable Lengths (m), 24/32 V Systems - 4 kW Scanners

	Power Cable Core Size (each core)				
	mm: 2.0	4.0	6.0	8.0	10.0
	AWG: 14	11	10	8	7
4 kW Scanners	8.0	16.0	24	32	35

Table 2-5: Max. Extension Power Cable Lengths (m), 24 V Systems - 10 kW Scanners

Inter-Unit Cable(s)	Power Cable Core (each core)			
	mm: 1.5 AWG: 16	2.0 15	2.5 14	4.0 11
5 m Heavy	12.0	16.0	20.0	32.0
10 m Heavy	10.5	14.0	18.0	28.0
15 m Heavy	9.0	12.0	16.0	24.0
15 m Heavy + 5 m ext	7.5	10.0	13.0	20.0
15 m Heavy + 10 m ext	6.0	8.0	10.0	16.0
25 m Heavy	6.0	8.0	10.0	16.0
25 m Heavy + 5 m ext	4.5	6.0	8.0	12.0
25 m Heavy + 10 m ext.	3.0	4.0	5.0	8.0

Table 2-6: Max. Extension Power Cable Lengths (m), 32 V Systems - 10 kW Scanners

	Power Cable Core Size (each core)		
	mm: 1.5 AWG: 16	2.0 15	2.5 14
10 kW Scanners	≤15.0	≤20.0	≤25.0

Open array scanner cables for C-series displays

A split pedestal cable is required to connect a compatible open array scanner to the display unit and to the power source.

If you are connecting an existing compatible scanner to a C-Series display a pedestal adaptor cable can be used instead of the split pedestal cable.

CAUTION:

Do not extend the split pedestal or pedestal adaptor cable.

Split pedestal cable

The split pedestal cable combines the inter-unit and power cores, divided by a Y junction. One core has a connector plug for connecting to the display unit, the other core is for connecting to power. The scanner end is prepared ready to fit to the power and signal connectors (see *Section 2.2*).

Two cable lengths are available:

- **25m cable** provides 25m from scanner to Y junction.
- **15m cable** provides 15m from scanner to Y junction.

These lengths should be sufficient to complete the cable run required on most small vessels.

Pedestal adaptor cable

The pedestal adaptor cable combines the inter-unit and power cores, divided by a Y junction. One core has a connector plug for connecting to the display unit, the other core is for connecting to power. The scanner end has a connector plug for fitting to an existing inter-unit cable.

2.5 Power Requirements

Note: *Open array scanners connected to a Pathfinder display and all radome scanners receive power from the display unit via the inter-unit cable. The display power cable is supplied with the display unit and details for connecting power are provided in your display unit Owner's Handbook. However, you should be aware of the information provided in this section.*

The DC system should be either:

- Negative grounded, with the negative battery terminal connected to the ship's ground.
- Floating, with neither battery terminal connected to the ship's ground.

CAUTION:

This radar is not intended for use on “positive” ground vessels. The power cable Earth screen connections must be connected to the ship’s ground.

Grounding the radar system

It is important that an effective RF ground is connected to the radar system.

You must ground the radar by connecting the drain wire (screen) of the power cable to the nearest ground point of the ship’s RF ground system. Refer to your display unit *Owner’s Handbook* for details.

If you need to extend the wire, the extension wire should be an 8 mm braid or AWG 10 (6.0 mm²) multi-stranded cable.

If your vessel does not have an RF system, connect the drain wire to the negative battery terminal.

Note: *Use only this ground connection.*

Power Connections

The power connection to the radar should be made at either the output of the battery isolator switch, or at a DC power distribution panel. Raymarine recommends that power is fed directly to the radar via its own dedicated cable system and **MUST** be protected by a thermal circuit breaker or fuse, fitted close to the power connection. Refer to the table below for isolator switch, circuit breaker or fuse value ratings. Check all terminal connections are clean.

CAUTION:

If you do not have a thermal circuit breaker or fuse in your power circuit, e.g. fitted to the DC distribution panel, you MUST fit an in-line breaker or fuse to the positive (red) lead of the power cable.

Table 2-7: Isolator Switch/Thermal Breaker/Fuse Value

Vessels Supply	Device	Open Array Systems		Radome Systems
		4 kW	10 kW	
12 V*	Isolator Switch min. rating	30 A	n/a	20A
	Thermal Breaker rating	15 A	n/a	10A
	Fuse value	20 A	n/a	15 A

Table 2-7: Isolator Switch/Thermal Breaker/Fuse Value

Vessels Supply	Device	Open Array Systems 4 kW	Open Array Systems 10 kW	Radome Systems
24/32 V**	Isolator Switch min. rating	15 A	15 A	15 A
	Thermal Breaker rating	8 A	10 A	5 A
	Fuse value	10 A	15 A	8 A

* 10 kW scanners cannot be directly connected to 12 V

** Radome systems cannot use 32V.

Chapter 3: Installing the Scanner

3.1 Open array scanner

Installation of the open array scanner should only be undertaken by a competent installer. If you have any difficulty with the installation, please contact your local Raymarine dealer or distributor.

The open array scanner is supplied in two sections; the pedestal unit and the antenna. The pedestal unit is secured from below the mounting platform. The open array is then secured to the pedestal. Full details for mounting the scanner are given below.

CAUTION:

The pedestal unit has a cap fitted over the open array mounting shaft to protect the protruding co-axial pin. This cap must be left in place until the open array is fitted.

The pedestal base is fitted with a seal: DO NOT grease this seal.

WARNING:

The open array scanner weighs: 48" scanner - 30 kg (66.2 lb); 72" scanner - 33.4 kg (73.7 lb). For safety reasons it is recommended that the unit is not lifted by one person.

The unit is fitted with lifting eyes (maximum SWL 40 kg) to facilitate the use of standard lifting accessories, e.g. rope, chain or strop. The safe working load (SWL) of the lifting accessories should be 150 kg. Suitable lifting equipment could include a crane, hoist, or an appropriate rigid, overhead structure.

Alternatively, the unit is suitable for a two person lift. Care must be taken to ensure that each person is standing on a stable surface, and that the pedestal is held carefully to ensure it cannot slip.

The T-bar beneath the open array antenna can be used to aid lifting.

You should never lift the scanner by holding onto the open array antenna.

Securing the pedestal to the mounting platform

1. Using the paper template supplied with the scanner mounting kit, mark the flat mounting surface with the holes and drill as indicated on the template. Refer to *Section 1.2* when selecting the scanner unit site.
2. Stick the four self-adhesive bitumen washers over the mounting holes.
3. Ensure the lifting eyes are securely fitted to the top of the pedestal, and the yellow protective cap is in place.

CAUTION:

To prevent damage to the internal mounting bar, ensure the stud penetration is no more than 32 mm into the pedestal base. We recommend you mark each stud with tape, 32 mm from one end, to act as a gauge.

4. Grease the studs with Denso paste (supplied). Using two nuts locked together on the stud, screw each stud into the pedestal to a **maximum of 32 mm**, or until they bottom out. Remove these two nuts.

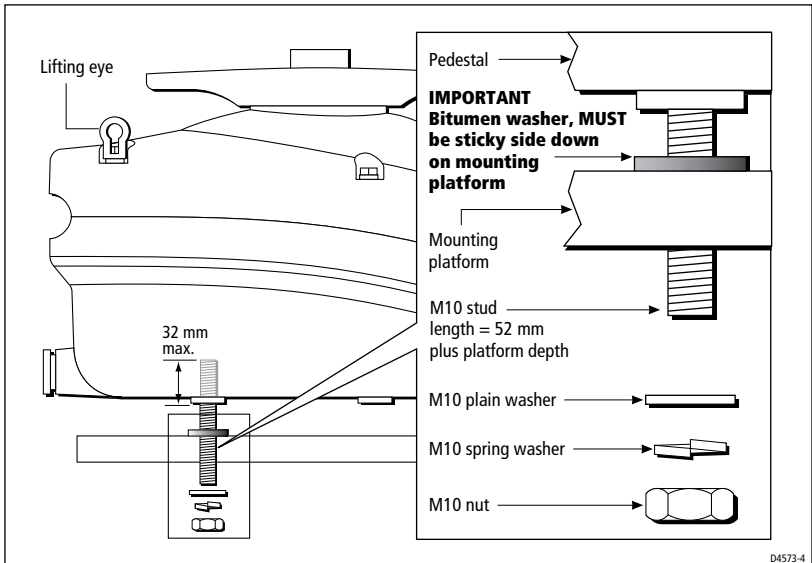
Note: *If the studding supplied is not long enough, use M10 stainless steel, grade A4-70 studding of a suitable length. Refer to the following illustration for details.*

5. Using suitable lifting equipment, raise the pedestal over the mounting surface. Carefully lower into position, taking care that the studs pass through the holes without damaging the threads. Ensure that the cable inlet is pointing aft.

WARNING:

Support the pedestal unit until it has been secured to the mounting platform. It is important that all four sets of nuts and washers are used to secure the pedestal to the mounting platform.

6. Referring to the following illustration, use the four nuts and associated washers supplied to secure the pedestal. Tighten the nuts to 30 Nm (22.1 lb ft.); ensure the scanner is tightly fitted.
Grease the nuts with Denso paste (supplied).
If required, cut-off any excess stud.



Connecting the open array scanner cable

CAUTION:

Before wiring the scanner unit check that it is securely mounted to the platform, then make sure that the inter-unit cable is not connected and power is not applied to the display unit. The scanner switch must be in the OFF position.

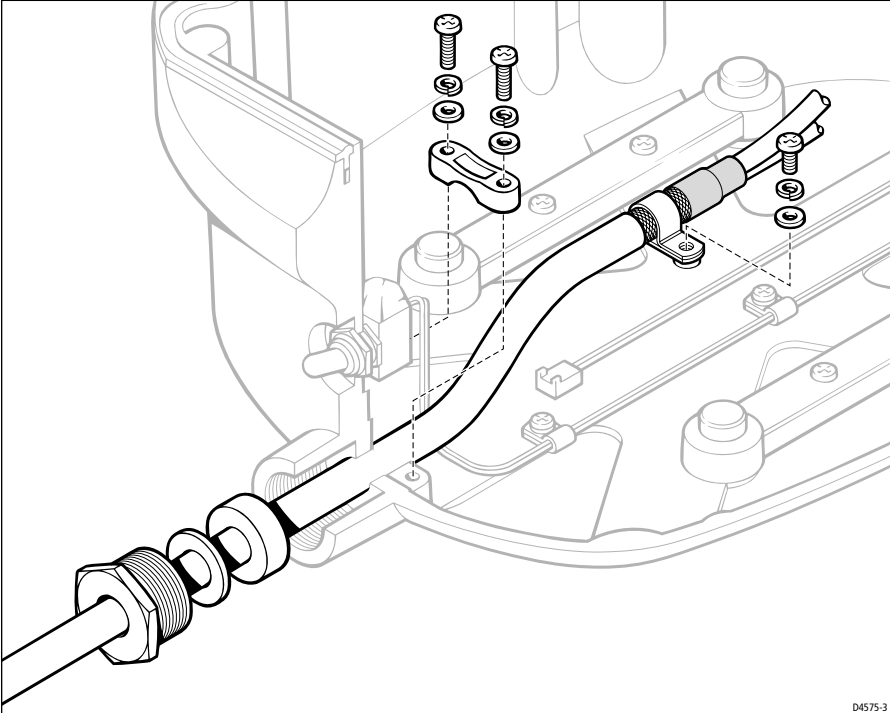
Note: *Connection of the Pathfinder inter-unit cable and the C-series split pedestal cable is identical.*

1. Loosen the four self-retaining bolts securing the pedestal lid to the base. Pull-up and turn the bolts anti-clockwise to lock them in the upright position. Remove the lifting eyes.

Note: *It is important to remove lifting eyes to avoid corrosion. Retain the lifting eyes: they will be required if the scanner is removed from its platform.*

2. Open the pedestal lid. Ensure the securing stay has automatically locked into position.
3. Referring to the following illustration, remove the cable gland nut, washer and grommet from the watertight gland, where the cable will enter the base.
4. Slide the cable through the gland nut, washer and grommet, then into the base. Carefully remove the heat shrink shroud, ensuring that you do not damage the cable.

5. Ensure the exposed braid is positioned in the p-clip to provide an earth, then clamp securely into position.
Secure the cable at the entrance to pedestal base using the plastic cable clamp.
Hand tighten the cable gland nut.



D4575-3

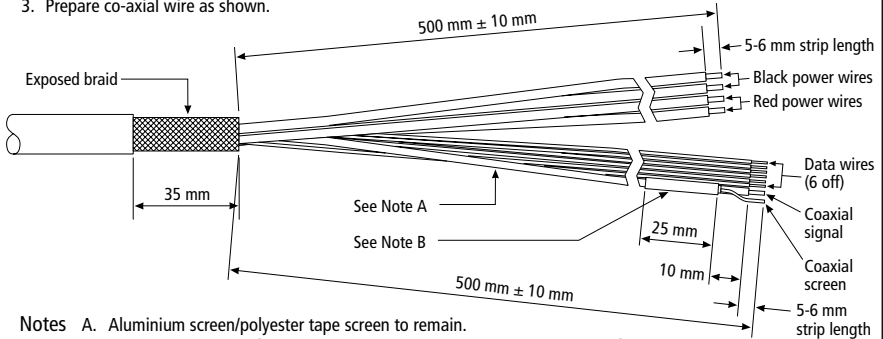
6. The cable is supplied prepared and ready to fit to the signal and power connectors. If you need to cut the cable to length, strip off the protective outer sleeve then use the supplied kit to prepare the cable as detailed in the following illustration.

CAUTION:

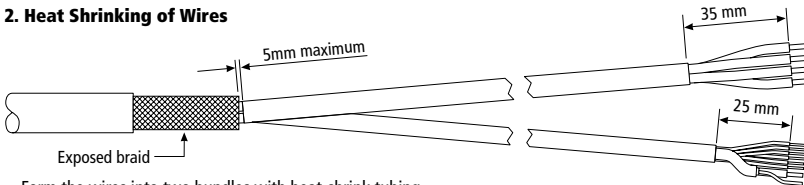
If any of the wires are incorrectly fitted, the scanner will not function correctly.

1. Preparation of Wires

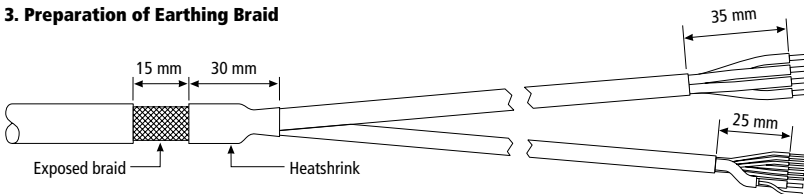
1. Remove the protective sleeve to a length of $535 \text{ mm} \pm 10 \text{ mm}$.
2. Using wire cutters, carefully remove the earthing braid to a length of $500 \text{ mm} \pm 10 \text{ mm}$.
3. Prepare co-axial wire as shown.



- Notes
- A. Aluminium screen/polyester tape screen to remain.
 - B. Heat shrink sleeving fitted to keep the aluminium/polyester tape screen from unwinding from the coaxial signal insulation.

2. Heat Shrinking of Wires

Form the wires into two bundles with heat-shrink tubing (one containing the four power wires and the other containing the eight signal wires).

3. Preparation of Earthing Braid

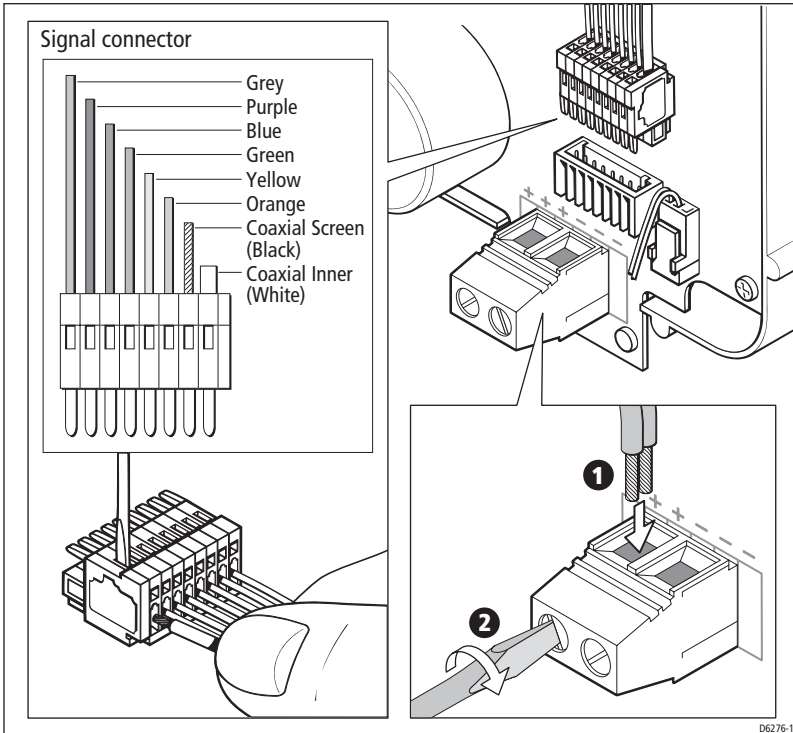
Apply heatshrink ensuring at least 15 mm of braid is visible.
When clamped in position the braid should make full contact with the P-clip.

D4579-3

7. Fit the 8-way plug (supplied in the kit of parts) to the cable as shown in the following diagram. The terminal clamps are operated using a screwdriver as shown.

Connect the plug to the signal connector as shown. When correctly fitted the white wire (co-axial) will be at the outer edge of the unit.

8. Connect the red core(s) to the terminal socket marked "+" and the black core(s) to the terminal socket marked "-". The terminal clamps are operated using a screwdriver as shown in the inset diagram.



9. Using the tie-wrap fitting on the pedestal lid, secure the cable.

CAUTION:

Do not grease the seal in the pedestal lid.

10. Check the seal in the pedestal lid is correctly seated.
Grease the four self-retaining case bolts and thread holes with Denso paste (supplied).
Close the pedestal lid, ensuring that the cable does not become trapped and that the seal is not pushed-out at the front of the pedestal: it will help if you support the front of the lid (by holding the mounting bracket) as you lower the rear of the lid.
11. Tighten the four self-retaining bolts to 12 Nm (8.8 lb ft.).
Tighten the cable gland nut 1/2 turn.

Fitting the open array to the pedestal

CAUTION:

The pedestal unit has a cap fitted over the open array mounting shaft to protect the protruding co-axial pin. This cap must be left in place until the open array is fitted to the pedestal.

1. Remove the cap from the open array shaft. Retain the cap, it will be required if the open array is removed from the pedestal.
2. Grease the four securing studs with Denso paste (supplied).

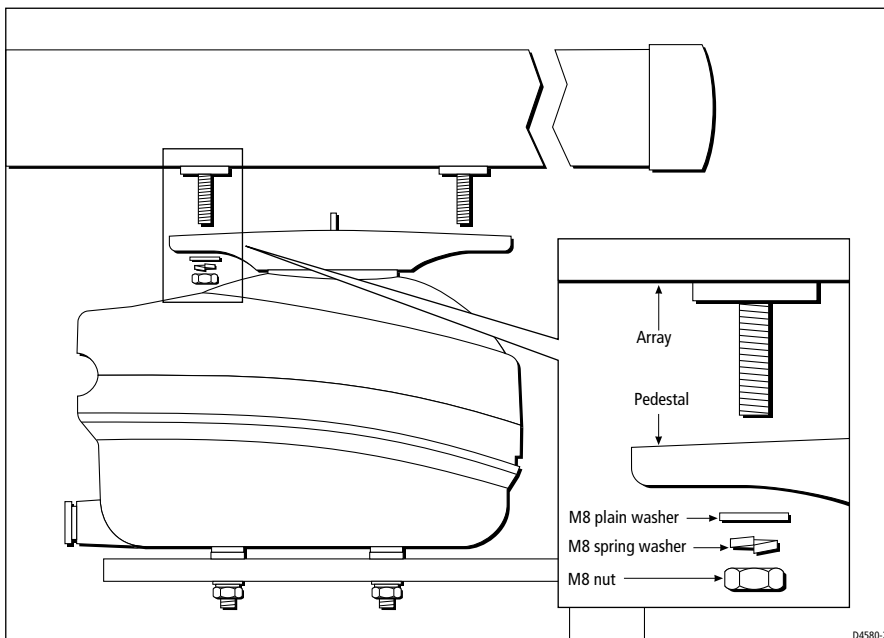
CAUTION:

If the pin is damaged during the following operation you should contact your service dealer.

3. Lift the open array into position. Carefully lower the array - to prevent damage to the mounting pin, ensure the array remains parallel to the pedestal so that the studs slot into the holes on the pedestal mounting bracket.

Note: *The open array mounting bracket is designed so that the array can only be fitted to the pedestal in the correct orientation.*

4. Use the four nuts and associated washers supplied to secure the array to the pedestal as shown in the diagram below.



D4580-2

3.2 System Connections

CAUTION:

The display connector on the scanner cable is a moulded plug that cannot be replaced. DO NOT remove this moulded plug.

Do not use an open array scanner with an SL70, SL70 PLUS or SL70RC PLUS 7" LCD display unit. Failure to observe this may result in permanent damage to the display unit.

10 kW open array scanners cannot be directly connected to 12 V systems.

Scanner Connections

The inter-unit or split pedestal cable is connected to the scanner as previously described in *Connecting the radome scanner inter-unit cable* on page 24 or *Connecting the open array scanner cable* on page ccix.

Display Connections

The inter-unit or split pedestal cable is connected to the display unit with the moulded plug; the following illustration identifies the scanner connector on the various display connector panels.

If you are using an inter-unit extension cable, connect this to the display unit, and connect the supplied cable to the extension cable.

You cannot extend the split pedestal cable or pedestal adaptor cable.

Power Connections

DC power requirements are described in *Section 1.5, Power Requirements*.

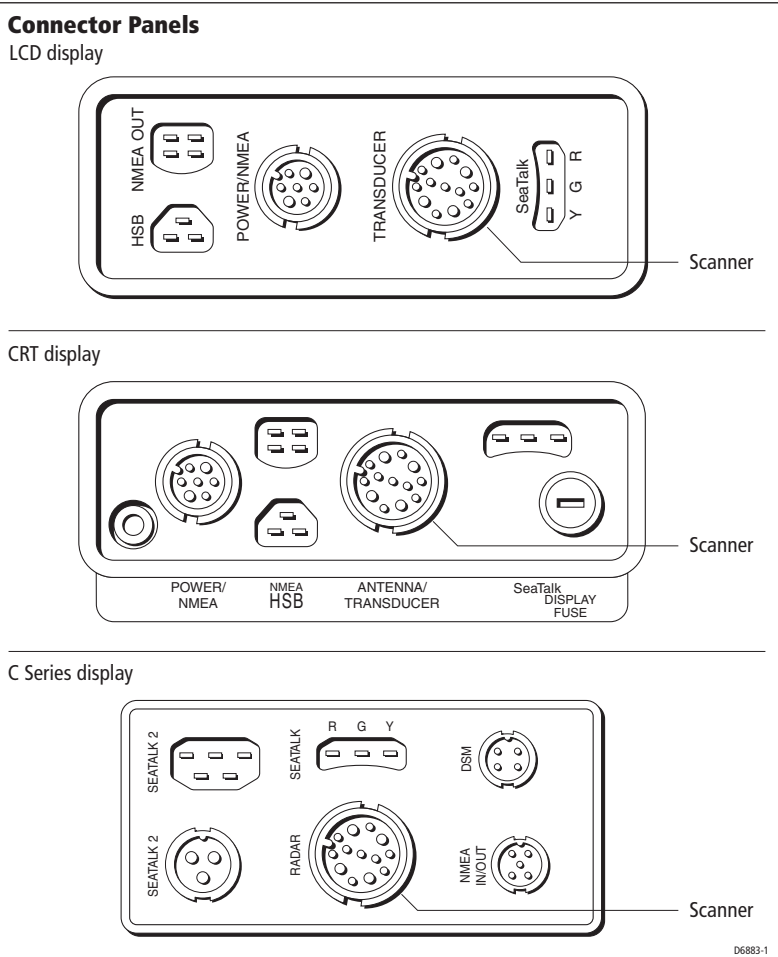
Power for an open array scanner connected to a Pathfinder display and for any radome scanner is supplied via the display unit - refer to your *Display Unit Owner's Handbook* for connection details.

An open array scanner is connected to a C-Series display via the split pedestal or adaptor cable. You must use the pedestal adapter cable to connect a C-Series display to an existing open array scanner unit with a standard inter-unit cable; connect the adaptor between the inter-unit cable and the display.

The following connections to the boat's DC power are required:

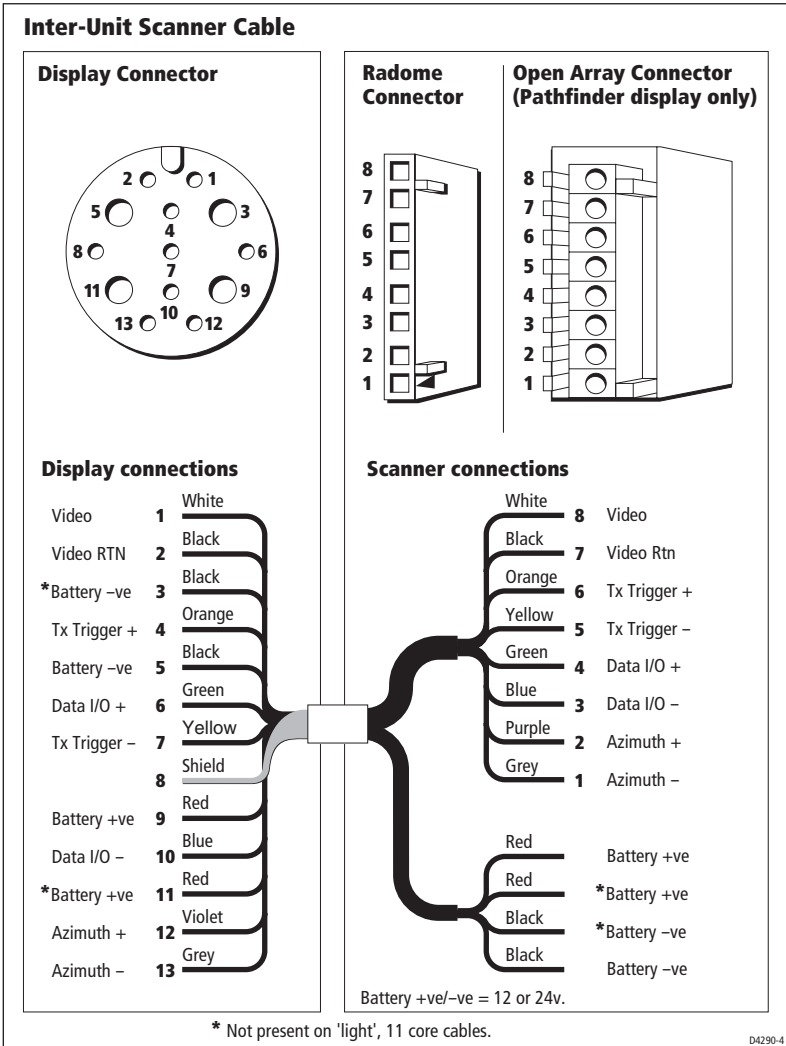
Red	Battery +ve (12/24 V)
Black	Battery -ve (0 v)
Green	Ground

The open array scanner has a power switch fitted to the pedestal. This switch can normally be left ON. However, if the scanner is being serviced or if any personnel are in the vicinity of the open array, the switch should be set to OFF.



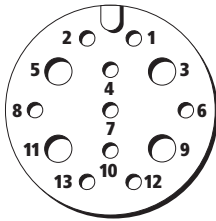
Cable details

The following diagrams - one for the inter-unit cable, one for the split pedestal and adaptor cable - illustrate the connector pins and cable core details.

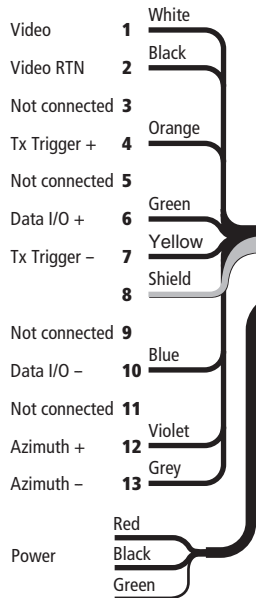


Split Pedestal and Adaptor Cables

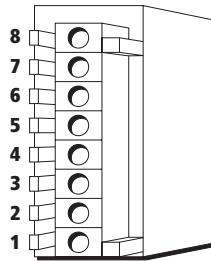
Display Connector



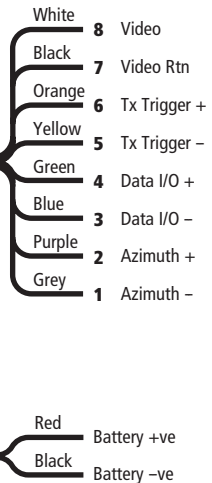
Display connections



Open Array Connector



Scanner connections



Battery +ve/-ve = 12 or 24v.

Chapter 4: Post Installation Checks and Maintenance

Once you have installed your radar scanner and display unit, and made all the connections, you need to check your installation. You can then set up the radar system, align the scanner and check the display timing. In addition, for a 72" open array scanner you need to set the antenna size to ensure the scanner rests in the correct position when rotation stops.

Set up, alignment and timing checks are performed from the radar system display unit. The procedures are outlined below; full details are provided in the display unit *Owner's Handbook*. You should read the Pathfinder radar display unit *Owner's Handbook* and familiarize yourself with the operation of the radar.

EMC Conformance

Always check the installation before going to sea to make sure that it is not affected by radio transmissions, engine starting etc.

4.1 System Checks and Alignment

System check

Before performing the functional test, check the following:

- All securing bolts are fully tightened and mechanical locking arrangements as specified are in place
- All connections have been made
- All connecting wires are secured and protected as necessary

Note: If you are the boat owner and have performed the installation yourself, ask your authorized installation dealer to check the installation before going to sea.

Set up, alignment and timing checks

Switch on and initial set up

On the open array scanner, ensure the power switch on the pedestal is set to ON. To switch on the display unit, press and hold the **POWER** key until the unit beeps. The magnetron warm-up sequence should start, after which the unit should enter Standby mode.

If necessary, adjust the lighting and contrast.

If required, change the default language settings.

Checking transmission

WARNING:

The radar scanner transmits electromagnetic energy. Ensure that the scanner has been installed according to the recommendations given in *Chapter 1*, and that all personnel are clear of the scanner, before switching to transmit mode.

Run through the radar operations described in the display unit *Owner's Handbook* and check that all the expected data is displayed.

Bearing alignment

When the system is correctly installed, you must check the bearing alignment to ensure that targets appear at their correct bearing relative to the ship's bow, and adjust the alignment if necessary.

Display timing adjustment

The display timing can be affected by the length of the cable used to connect the scanner to the display unit. This in turn affects the short range accuracy shown on the display.

It is advisable to check the display timing before using the system for navigation.

72" open array position alignment

To ensure the 72" open array scanner rests in correct position when rotation stops, you need to adjust the radar set up as follows:

1. With the display switched on in Radar mode, press **MENU** then press the RADAR SET UP soft key.
2. Use the cursor to select the ANTENNA SIZE option, then press the 6 ft soft key. Press **ENTER** twice to return to the default display.

If the Radar Set Up menu option ANTENNA SIZE is not available, then you have an older version of display software. The 72" open array scanner will operate correctly with this display. However, for details on adjusting the open array stopping-position, please contact your authorized Raymarine dealer or distributor.

4.2 Maintenance

Warnings



The display unit and scanner unit contain *high voltage*. Adjustments require specialized service procedures and tools only available to qualified service technicians - there are no user serviceable parts or adjustments and the operator should not attempt to service the equipment. The operator should not remove the rear cover of the display or any internal covers in the scanner.

Always turn the radar system off before carrying out any routine maintenance on the scanner or nearby equipment. Switch off the display unit before removing the power cord.

Routine Checks

The radar scanners are sealed units. Maintenance procedures are therefore limited to the following periodical checks:

- Examine the cables for signs of damage, such as chafing, cuts or nicks.
- Check that the cable connectors are firmly attached.
- Make sure the scanner and pedestal are still attached securely to the mounting.
- Once a year, remove, grease and re-attach the mounting bolts securing the scanner and pedestal.

Servicing and Safety

- Raymarine equipment should be serviced only by authorized Raymarine service technicians. They will ensure that service procedures and replacement parts used will not affect performance. There are no user serviceable parts in any Raymarine product.
- Some products generate high voltages, so never handle the cables/connectors when power is being supplied to the equipment.
- When powered, all electrical equipment produces electromagnetic fields. These can cause adjacent pieces of electrical equipment to interact with one another, with a consequent adverse effect on operation. In order to minimize these effects and enable you to get the best possible performance from your Raymarine equipment, guidelines are given in the installation instructions, to

enable you to ensure minimum interaction between different items of equipment, i.e. ensure optimum Electromagnetic Compatibility (EMC).

- Always report any EMC-related problem to your nearest Raymarine dealer. We use such information to improve our quality standards.
- In some installations, it may not be possible to prevent the equipment from being affected by external influences. In general this will not damage the equipment but it can lead to spurious resetting action, or momentarily may result in faulty operation.

4.3 Problem Solving

All Raymarine products are subjected to comprehensive test and quality assurance programmes prior to packing and shipping. However, if this unit should develop a fault, please refer to the following table to identify the most likely cause and the corrective action required to restore normal operation.

If you still have a problem after referring to the table below, contact your local dealer, national distributor or Raymarine Product Support Department for further advice.

Always quote the product serial numbers. The display unit serial number is printed on the back of the unit, and the scanner serial number is on the back of the scanner near the gland.

Table 4-1: Common Problems and Their Solutions

Problem	Correction
"Scanner not responding" message.	Check that the cable connecting the scanner to the radar display unit is firmly attached and undamaged. Check that the polarity of the cables is correct.
The bearing displayed on the radar display is not the same as the actual bearing	Perform the bearing alignment procedure described in the display unit Owner's Handbook Section 8.7.
The 72" antenna stops in the wrong position.	Refer to 72" open array position alignment.

Technical Support:

Please visit our website at:

www.raymarine.com/recreational/support

where you will find a Questions & Answers database, service information and e-mail access to the Technical Support department.

Alternatively, if you don't have access to the world wide web, call:

1-800-539-5539 extension 2444 or
(603) 881-5200 extension 2444

Our Technical Support Specialists are available to answer questions about installing, operating and trouble-shooting all Raymarine products.

How to Contact Raymarine (US)

For Marine Product and Services Information

Visit the Raymarine World Wide Web site for the latest information on the newest Raymarine electronic equipment and systems at:

www.raymarine.com

For Accessories and Parts

Many Raymarine accessory items and parts can be obtained directly from your authorized Raymarine dealer. However, if you are in need of an item not available from the retailer, please contact Raymarine Technical Services at:

1-800-539-5539 extension 2333 or
(603) 881-5200 extension 2333.

Technical Services are available Monday through Friday 8:15 AM to 5:00 PM Eastern Standard Time.

Please have the Raymarine item or part number ready when calling if placing an order. If you are not sure which item is appropriate for your unit, you should first contact the Technical Support Department at:

1-800-539-5539 ext. 2444 or
(603) 881-5200 extension 2444

to verify your requirements.

For Product Repair and Service

In the unlikely event your Raymarine unit should develop a problem, please contact your authorized Raymarine dealer for assistance. The dealer is best equipped to handle your service requirements and can offer time saving help in getting the equipment back into normal operation.

In the event that repairs can not be obtained conveniently, product service may also be obtained by returning the unit to:

Raymarine Product Repair Center
221 Manchester Street
Merrimack, NH03054-4801

The Product Repair Center is open Monday through Friday 8:15 a.m. to 5:00 p.m. Eastern Standard Time or Eastern Daylight Savings Time. All products returned to the Repair Center are registered upon receipt. A confirmation letter will be sent to you acknowledging the repair status and the product's reference number. Should you wish to inquire about the repair status of your unit, contact the Product Repair Center at:

1-800-539-5539 extension 2118.

Please have the product reference number, or unit serial number, ready when you call. We will do everything possible to make the repair and return your unit as quickly as possible

How to Contact Raymarine (Europe)

In Europe, Raymarine support, service and accessories may be obtained from your authorized dealer, or contact:

Raymarine Ltd
Anchorage Park, Portsmouth
PO3 5TD, England
Tel: +44 (0) 23 9269 3611
Fax: +44 (0) 23 9269 4642

Or visit the Raymarine World Wide Web site:

www.raymarine.com

Accessories and Parts

Raymarine accessory items and parts are available through your authorized Raymarine dealer. Please refer to the lists of component part numbers and optional accessories in the Installation chapter of this manual, and have the Raymarine part number ready when speaking with your dealer.

If you are uncertain about what item to choose for your Raymarine unit, please contact our Customer Services Department prior to placing your order.

Worldwide Support

Please contact the authorized distributor in the country. A list of worldwide distributors is supplied with your system.

Appendix A: Specification

5S and 9S 48" Open Array Scanner Unit

General	
Approvals	
CE - conforms to	1995/5/EC, EN60945
FCC - conforms to	Part 80 (47CFR) and Part 2 (47CFR)
Dimensions	Pedestal: 427 x 296 x 406 mm (16.8 x 10.5 x 16 in) Array: 1306 mm (51.4 in) length
Weight	Pedestal: 24 kg (53.0 lb) Array: 6 kg (13.2 lb)
Environmental	Waterproof to CFR46 Temperature range: -10° to +55°C Humidity limit: up to 95% at 35°C Maximum wind speed for satisfactory operation: 100 Kts
Maximum Range Scale	72 nm

5S Transmitter - 4 kW

Input Voltage	10.7 - 44 V DC (from display unit)					
Power Consumption	9.2 W Standby 46 W Typical operation in light winds 61 W Max. operation in 50 Kt winds 96 W Max. operation in 100 Kt winds					
Transmitter Frequency	9410 +/- 30 MHz					
Peak Power Output	4 kW (nominal)					
Transmitter	Solid state modulator driving magnetron					
Pulse Length/PRF	Normal			Expanded		
Range (nm)	Pulse Length (μS)	PRF (Hz)	Bandwidth (MHz)	Pulse Length (μS)	PRF (Hz)	Bandwidth (MHz)
0.125	0.065	3000	12	0.09	3000	12
0.25	0.065	300 0	12	0.09	3000	12
0.50	0.09	3000	12	0.15	3000	12
0.75	0.15	3000	12	0.25	3000	12
1.50	0.35	2000	3	0.45	1600	3
3.00	0.45	1600	3	0.60	1200	0.7

5S Transmitter - 4 kW

6.0 - 72	1.00	740	0.5	-	-	-
----------	------	-----	-----	---	---	---

Standby Mode	Magnetron heater and control left on, all other services off
--------------	--

Duplexer	Circulator
----------	------------

9S Transmitter - 10 kW

Input Voltage	16 - 44 V DC (from display unit)
---------------	----------------------------------

Power Consumption	11 W Standby 80 W Typical operation in light winds 95 W Max. operation in 50 Kt winds 140 W Max. operation in 100 Kt winds
-------------------	---

Transmitter Frequency	9410 +/- 30 MHz
-----------------------	-----------------

Peak Power Output	10 kW (nominal)
-------------------	-----------------

Transmitter	Solid state modulator driving magnetron
-------------	---

Pulse Length/PRF						
Normal			Expanded			
Range (nm)	Pulse Length (μS)	PRF (Hz)	Bandwidth (MHz)	Pulse Length (μS)	PRF (Hz)	Bandwidth (MHz)

Normal			Expanded			
Range (nm)	Pulse Length (μS)	PRF (Hz)	Bandwidth (MHz)	Pulse Length (μS)	PRF (Hz)	Bandwidth (MHz)
0.125	0.065	3000	12	0.09	3000	12
0.25	0.065	3000	12	0.09	3000	12
0.50	0.09	3000	12	0.15	3000	12
0.75	0.15	3000	12	0.25	3000	12
1.50	0.35	2000	3	0.45	1600	3
3.00	0.45	1600	3	0.60	1200	0.7
6.0 - 72	1.20	740	0.5	-	-	-

Standby Mode	Magnetron heater and control left on, all other services off
--------------	--

Duplexer	Circulator with integral limiter
----------	----------------------------------

48" Antenna

Antenna Type	Slotted waveguide array
--------------	-------------------------

Beam Width (nominal)	1.85°
----------------------	-------

Polarization	Horizontal
--------------	------------

Antenna Side lobes	Less than -22 dB
--------------------	------------------

Rotation Rate	24 rpm (nominal)
---------------	------------------

Receiver

IF Frequency	60 MHz (nominal)
--------------	------------------

Receiver Characteristic	Semi-log
-------------------------	----------

Receiver Noise Figure	Less than 5 dB (including Low Noise Converter/Limiter & IF Receiver)
-----------------------	---

Receiver Bandwidth	12/3/0.7/0.5 MHz
--------------------	------------------

Note: If the scanner is bought for use with an existing display, contact your dealer/service agent for the latest display software to ensure you can use all the open array scanner features.

7S and 11S 72" Open Array Scanner Unit

General

Approvals	CE - conforms to	1995/5/EC, EN60945
	FCC - conforms to	Part 80 (47CFR) and Part 2 (47CFR)
Dimensions	Pedestal:	427 x 296 x 406 mm (16.8 x 10.5 x 16 in)
	Array:	1918 mm (75.5 in) length
Weight	Pedestal:	24 kg (53.0 lb)
	Array:	9.4 kg (20.7 lb)
Environmental	Waterproof to CFR46	
	Temperature range:	-10° to +55°C
	Humidity limit:	up to 95% at 35°C
	Maximum wind speed for satisfactory operation:	100 Kts
Maximum Range Scale		72 nm

7S Transmitter - 4 kW

Input Voltage	10.7 - 44 V DC (from display unit)					
Power Consumption	9.2 W Standby 46 W Typical operation in light winds 83W Max. operation in 50 Kt winds 135W Max. operation in 100 Kt winds (min. input voltage 11.4 V for winds >75kt)					
Transmitter Frequency	9410 +/- 30 MHz					
Peak Power Output	4 kW (nominal)					
Transmitter	Solid state modulator driving magnetron					
Pulse Length/PRF	Normal			Expanded		
Range (nm)	Pulse Length (µS)	PRF (Hz)	Bandwidth (MHz)	Pulse Length (µS)	PRF (Hz)	Bandwidth (MHz)
0.125	0.065	3000	12	0.09	3000	12
0.25	0.065	300 0	12	0.09	3000	12
0.50	0.09	3000	12	0.15	3000	12
0.75	0.15	3000	12	0.25	3000	12
1.50	0.35	2000	3	0.45	1600	3
3.00	0.45	1600	3	0.60	1200	0.7
6.0 - 72	1.00	740	0.5	-	-	-

7S Transmitter - 4 kW

Standby Mode	Magnetron heater and control left on, all other services off
Duplexer	Circulator

11S Transmitter - 10 kW

Input Voltage	20 - 44 V DC (from display unit)					
Power Consumption	11 W Standby 80 W Typical operation in light winds 117 W Max. operation in 50 Kt winds 179 W Max. operation in 100 Kt winds					
Transmitter Frequency	9410 +/- 30 MHz					
Peak Power Output	10 kW (nominal)					
Transmitter	Solid state modulator driving magnetron					
Pulse Length/PRF						
			Normal		Expanded	
Range (nm)	Pulse Length (μS)	PRF (Hz)	Bandwidth (MHz)	Pulse Length (μS)	PRF (Hz)	Bandwidth (MHz)
0.125	0.065	3000	12	0.09	3000	12
0.25	0.065	3000	12	0.09	3000	12
0.50	0.09	3000	12	0.15	3000	12
0.75	0.15	3000	12	0.25	3000	12
1.50	0.35	2000	3	0.45	1600	3
3.00	0.45	1600	3	0.60	1200	0.7
6.0 - 72	1.20	740	0.5	-	-	-
Standby Mode	Magnetron heater and control left on, all other services off					
Duplexer	Circulator with integral limiter					

72" Antenna

Antenna Type	Slotted waveguide array
Beam Width (nominal)	1.15°
Polarization	Horizontal
Antenna Side lobes	Less than -25 dB

Rotation Rate 24 rpm (nominal)

Receiver

IF Frequency	60 MHz (nominal)
Receiver Characteristic	Semi-log
Receiver Noise Figure	Less than 5 dB (including Low Noise Converter/Limiter & IF Receiver)
Receiver Bandwidth	12/3/0.7/0.5 MHz

Note: *f* the scanner is bought for use with an existing display, contact your dealer/service agent for the latest display software to ensure you can use all the open array scanner features.

Free Manuals Download Website

<http://myh66.com>

<http://usermanuals.us>

<http://www.somanuals.com>

<http://www.4manuals.cc>

<http://www.manual-lib.com>

<http://www.404manual.com>

<http://www.luxmanual.com>

<http://aubethermostatmanual.com>

Golf course search by state

<http://golfingnear.com>

Email search by domain

<http://emailbydomain.com>

Auto manuals search

<http://auto.somanuals.com>

TV manuals search

<http://tv.somanuals.com>