

ST60 Tridata Instrument Owner's Handbook

Document number: 81040-4
Date: 10 November 2002

Raymarine, ST60 and SeaTalk are trademarks of Raymarine Limited
© Handbook contents copyright Raymarine Limited 2002

Important information

Safety notices

**WARNING: Product installation & operation**

This equipment must be installed and operated in accordance with the Raymarine instructions provided. Failure to do so could result in personal injury, damage to your boat and/or poor product performance.

**WARNING: Electrical safety**

Make sure you have switched off the power supply before you start installing this product.

**WARNING:**

Although we have designed this product to be accurate and reliable, many factors can affect its performance. Therefore, it should serve only as an aid to navigation and should never replace commonsense and navigational judgement. Always maintain a permanent watch so you can respond to situations as they develop.

EMC conformance

All Raymarine equipment and accessories are designed to the best industry standards for use in the recreational marine environment.

The design and manufacture of Raymarine equipment and accessories conform to the appropriate Electromagnetic Compatibility (EMC) standards, but correct installation is required to ensure that performance is not compromised.

Handbook information

To the best of our knowledge, the information in this handbook was correct when it went to press. However, Raymarine cannot accept liability for any inaccuracies or omissions it may contain.

In addition, our policy of continuous product improvement may change specifications without notice. Therefore, Raymarine cannot accept liability for any differences between the product and the handbook.

Contents

Important information	i
Safety notices	i
EMC conformance	i
Handbook information	i
Introduction	vii
Data inputs	vii
SeaTalk	vii
Stand alone operation	viii
Remote control	viii
Mounting options	viii
Parts supplied	ix
Chapter 1: Operation	1
1.1 Getting started	1
Displayed information	1
1.2 Normal operation	1
Depth	2
Current depth display	2
Depth alarm threshold displays	3
Speed	3
Boat speed	3
Maximum speed	4
Average speed	4
Velocity made good (to windward)	4
Trip	5
Log	5
Trip screen	6
Water temperature	6
Timers	6
1.3 Alarms	7
1.4 Display settings	7
Illumination	7
Contrast	8
1.5 Remote control	8
Chapter 2: Maintenance and Faultfinding	9
2.1 Maintenance	9
Servicing and safety	9
Instrument	9
Transducers	9
Cabling	10

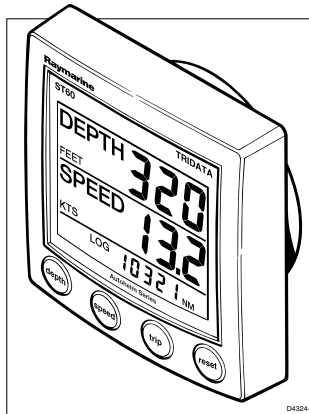
2.2	Fault finding	10
	Preliminary procedures	10
	Fixing faults	10
	Technical support	11
	World wide web	11
	Telephone help line	11
	Help us to help you	12
Chapter 3:	Installation	13
3.1	Planning your installation	13
	Site requirements	13
	Transducers	13
	Instrument	15
	EMC Installation Guidelines	16
	Suppression Ferrites	17
	Connections to Other Equipment	17
3.2	Procedures	18
	Unpacking	18
	Fitting the instrument	18
	Surface mounting	18
	Flush mounting	19
	Bracket mounting	22
	Fitting transducer	23
	Running transducer cable	23
	Connecting the instrument	24
	Types of connection	24
	Signal connections	24
	Power supply connections	25
Chapter 4:	Calibration	27
4.1	Introduction	27
	Speed readings	27
	EMC conformance	27
4.2	User calibration	27
	Depth	29
	Depth units	29
	Depth offset	29
	Shallow alarm lock	30
	Speed	31
	Set speed units	31
	Set speed resolution	31
	Set log units	31
	Setting the correct speed	31
	Adjust to SOG	33

	Set temperature units	33
	Temperature calibration	33
	Timer alarm buzzer	33
	Leaving User calibration	33
4.3	Intermediate calibration	34
	Speed calibration	35
	Leaving Intermediate calibration	39
4.4	Dealer calibration	39
	User calibration on/off	39
	Response settings	39
	Boat show mode	41
	Factory defaults	41
	Leaving Dealer calibration	41

Introduction

Thank you for purchasing a Raymarine product. We are sure your ST60 instrument will give you many years of trouble-free operation.

This handbook describes how to install and use the Raymarine ST60 Tridata instrument. This instrument provides accurate depth, speed, trip and timer information, on a high quality Liquid Crystal Display (LCD). The instrument is constructed in a rugged weather-proofed case to provide reliable performance, even under the most demanding conditions.



Data inputs

The ST60 Tridata instrument can fulfil master and/or repeater roles by receiving data either from the appropriate transducers and/or from a SeaTalk instrumentation system.

SeaTalk

SeaTalk enables a number of compatible instruments to operate as a single, integrated navigational system. Instruments in a SeaTalk system are linked by means of a single cable, which feeds both power and data. Instruments can therefore be added to the system by plugging them into the network. SeaTalk is flexible enough to adapt to any number of compatible instruments without requiring a central processor. SeaTalk can also communicate via an interface, with non-SeaTalk equipment using the internationally-accepted National Marine Electronics Association (NMEA) protocol.

In a SeaTalk system, each instrument can be either a master or dedicated repeater unit. A master instrument is directly connected to a transducer (the device that provides the raw data), and provides data and control for the service it is providing, to all other equipment on the SeaTalk network. A slave instrument is not directly connected to a transducer but repeats information provided by other equipment in the SeaTalk network.

Stand alone operation

In Stand alone operation, the ST60 Tridata instrument is connected only to the relevant transducer and does not display information from, or provide information to, any other instruments.

Remote control

When connected to SeaTalk, the ST60 Tridata instrument can be controlled remotely by a SeaTalk Remote Keypad Unit, to provide instant remote access to the various display readouts.

Mounting options

If you do not want to surface mount your ST60 instrument, options are available for:

- Flush mounting. If you have ordered the flush mounting option a low-profile bezel and four fixing screws are also provided.
- Bracket mounting.

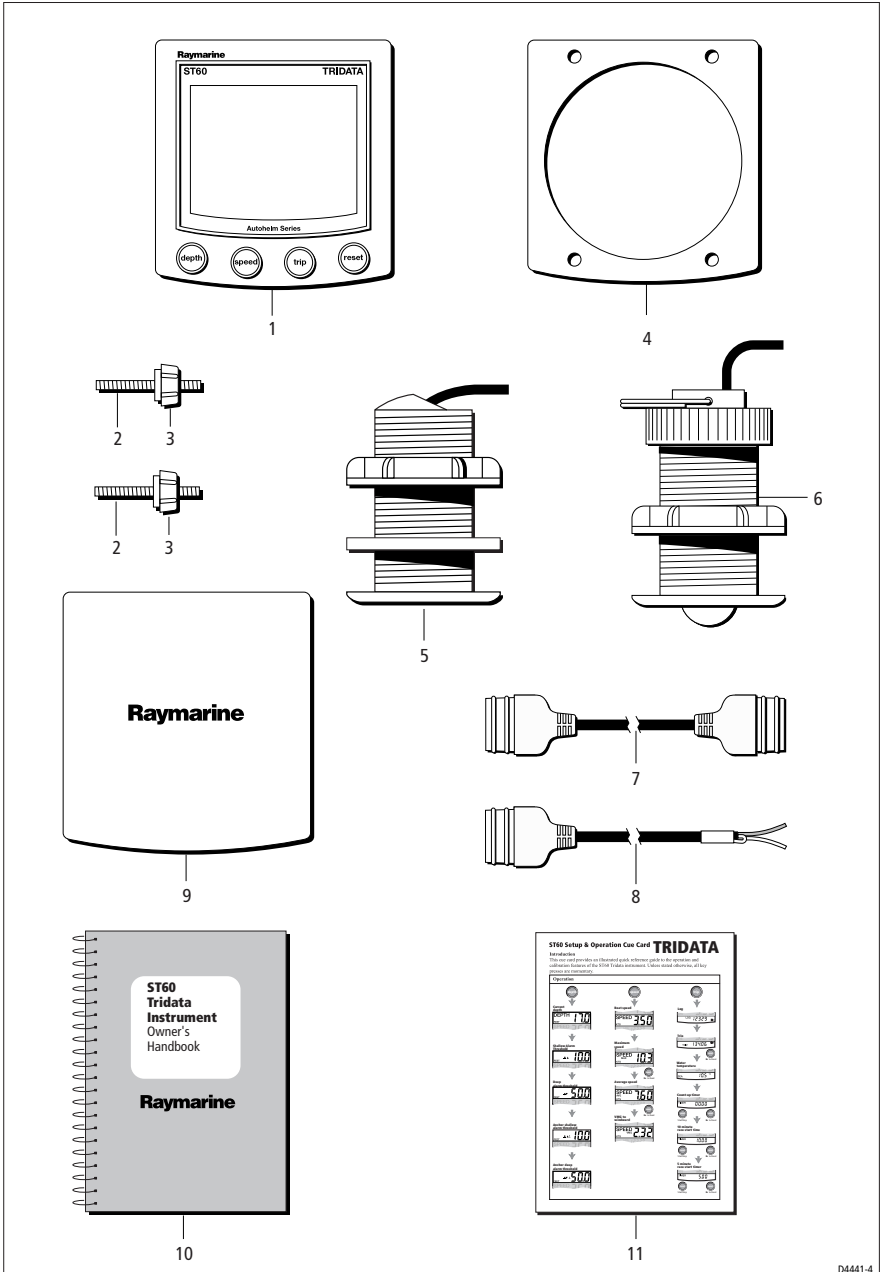
Parts supplied

Unpack your ST60 instrument and check that the following items are present:

- Item 1, ST60 Tridata instrument fitted with standard bezel for surface mounting.
- Item 2, Fixing studs (2).
- Item 3, Thumb nuts (2).
- Item 4, Gasket.
- Item 5, Depth transducer.
- Item 6, Speed transducer, plus bung (not illustrated).
- Item 7, SeaTalk interconnection cable.
- Item 8, Power cable.
- Item 9, Instrument Cover.
- Item 10, Owner's Handbook. A Warranty document and fitting templates are included in this Handbook.
- Item 11, Cue Card.

Spare spade terminals are also provided, to re-terminate the transducer cable if it has to be cut to facilitate installation.

Note: *The above packing list is for an ST60 Tridata system. Where an instrument is purchased separately, Speed and Depth transducers are not included.*



Chapter 1: Operation

1.1 Getting started

This handbook describes how to operate, maintain and install the Raymarine ST60 Tridata instrument.

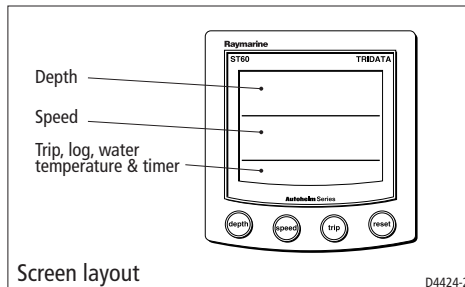
CAUTION: Calibration requirement

The ST60 Tridata instrument is calibrated to factory (default) settings when first installed and must therefore be calibrated before use, in accordance with the procedures in *Chapter 4, Calibration*, to ensure optimum performance on your vessel.

Do NOT use the instrument until the calibration procedures have been satisfactorily completed.

Displayed information

The ST60 Tridata instrument screen is divided into three separate areas, each of which displays a separate type of information, as shown in the following illustration.



1.2 Normal operation

Use the flow charts in this Chapter to operate your ST60 Tridata instrument. Flow charts are provided for:

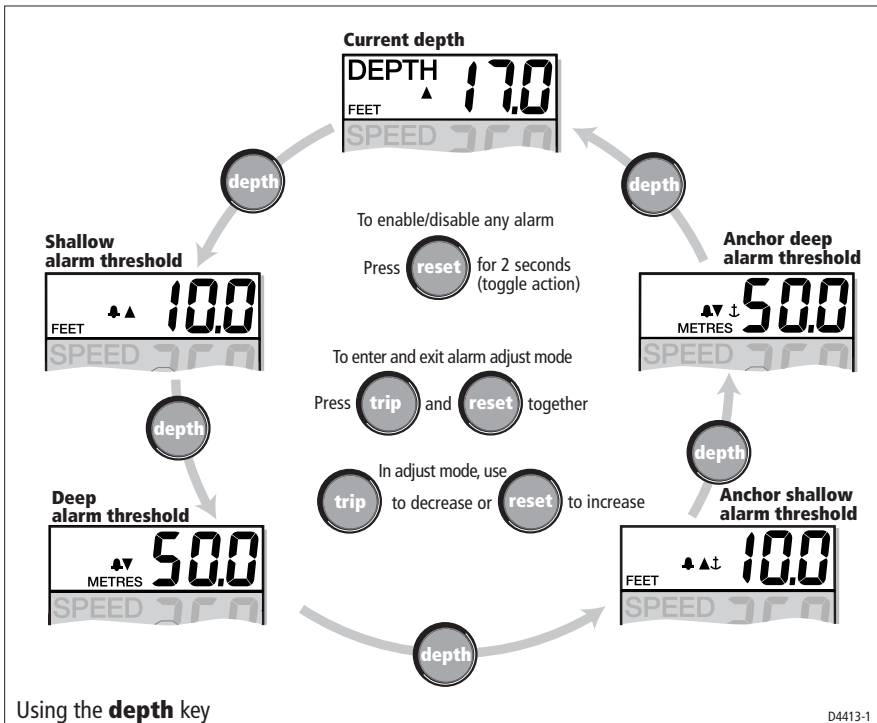
- Using the **depth** key. This gives access to current depth information. On master instruments, this also gives access to depth alarm threshold information, and allows you to set the alarm thresholds.
- Using the **speed** key. This gives access to maximum speed, average speed and Velocity Made Good (VMG) to windward.

- Using the **trip** key to gain access to log, trip, water temperature and timer information.

All key presses are momentary unless otherwise stated.

Depth

Use the **depth** key to select the required information, as shown in the *Using the depth key* illustration. The depth measurement units are either feet or metres, as selected during user calibration (see *Chapter 4, Calibration*).



Current depth display

The current depth screen shows the title DEPTH, the selected depth units and the depth measurement. It also shows a depth trend indicator, which is either an up arrow to show seabed rising or a down arrow to show seabed falling.

If for any reason depth information is lost, the DEPTH title will flash once per second and the displayed depth value will be the last good reading.

Depth alarm threshold displays

The alarm threshold displays are available if the instrument is operating as a master. Each display is identified by the presence of an alarm symbol (▲) and either an up arrow for a shallow alarm or a down arrow for a deep alarm. The shallow and deep anchor alarms are identified by means of an additional anchor icon.

You can enable and disable individual alarm thresholds by pressing the **reset** key for 2 seconds, while the relevant alarm threshold is displayed.

Each alarm threshold is displayed for a nominal 7 seconds, and if no action is taken during that time, the display will timeout to the current depth display.

Adjusting alarm thresholds

To adjust the alarm threshold levels, press the **trip** and **reset** keys simultaneously to enter adjust mode, then use either the **trip** key (to decrease) or the **reset** key (to increase) the threshold value. When you have set the required value, press the **trip** and **reset** keys again, to save the alarm setting and exit the adjust mode.

Note: *Adjustment of the shallow alarm threshold can be disabled during calibration. When adjustment is disabled, you cannot enter adjust mode.*

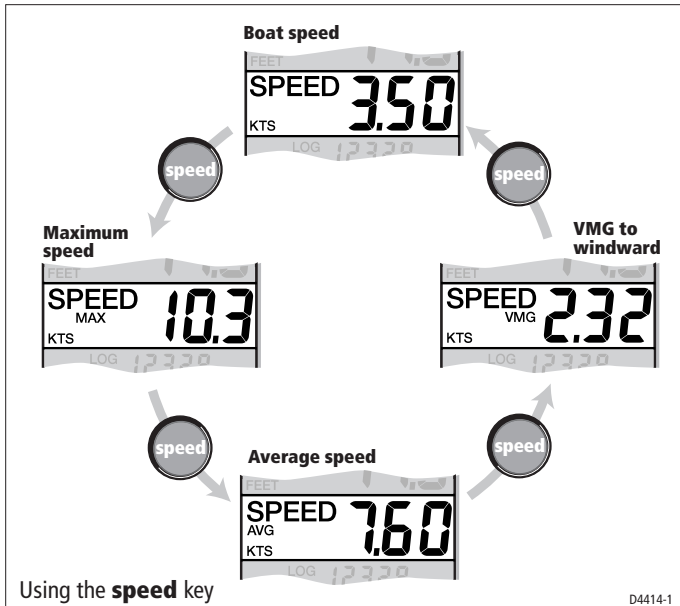
Speed

Use the **speed** key to select the required information, as shown in the *Using the speed key* illustration. The speed measurement units are either knots (KTS), miles per hour (MPH) or kilometres per hour (KMH), as selected during user calibration (see *Chapter 4, Calibration*).

The maximum speed, average speed and VMG to windward are each displayed for a nominal 7 seconds, and if no action is taken during that time, the display will timeout to the Boat speed display.

Boat speed

Shows the current speed and selected speed units.



Maximum speed

The screen shows the maximum speed attained since the last reset.

The maximum speed value is reset automatically at power-up. If the instrument is operating as a master, the maximum speed can also be reset manually by pressing the **reset** key for 2 seconds.

Average speed

The screen shows the average speed since the last reset.

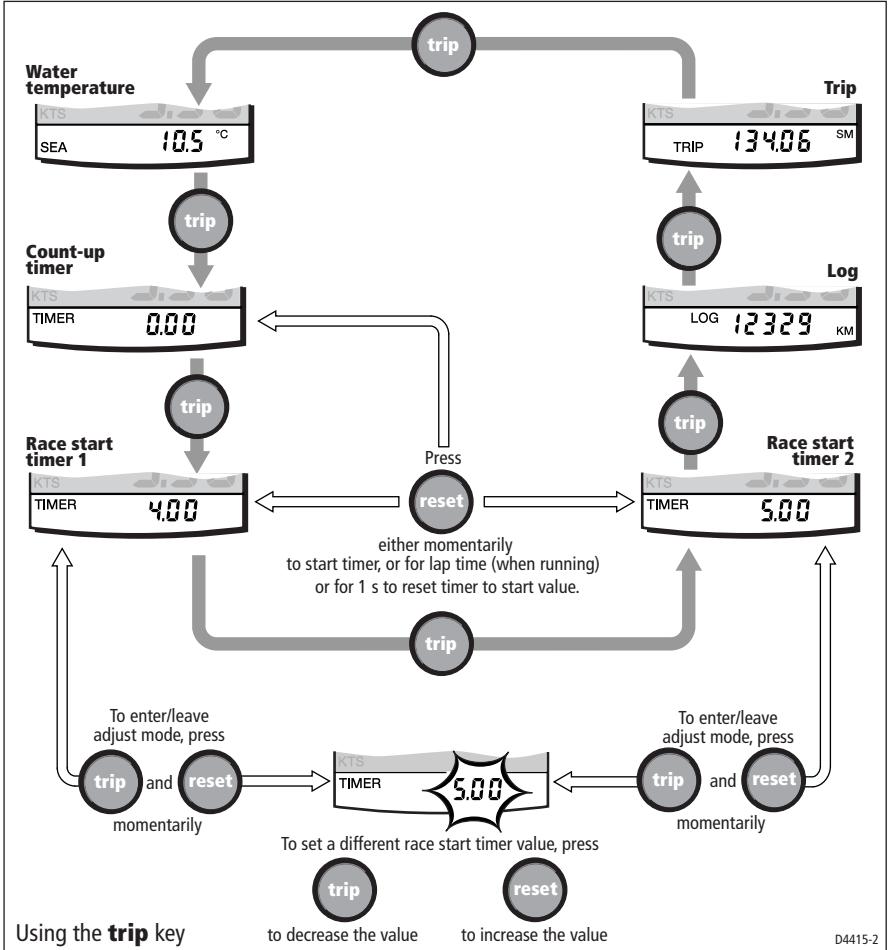
The average speed value is reset automatically at power-up. If the instrument is operating as a master, the average speed can also be reset manually by pressing the **reset** key for 2 seconds.

Velocity made good (to windward)

Velocity made good (VMG) information is available if your instrument is part of a SeaTalk system to which a SeaTalk-compatible wind instrument is also connected.

Trip

The **trip** key gives access to log, trip, water temperature and timer displays, as shown in the *Using the trip key* illustration.



Log

The Log screen shows the total distance covered by the vessel since the instrument was fitted.

Trip screen

The trip screen shows the distance covered since the trip value was last reset.

The trip value is reset automatically at power-up, and if the instrument is operating as a master, the trip value can also be reset manually by pressing the **reset** key for 3 seconds.

Water temperature

The water temperature is shown in either degrees Celsius (°C) or Fahrenheit (°F), as set during calibration (see *Chapter 4, Calibration*).

Timers

The count-up timer and to the two race-start timer times are either in seconds (S) or minutes (M), depending on the counter values.

Refer to the *Using the trip key* flow diagram to display the required timer. Once you have done this, press the **reset** key to start the timer running. When a timer is running, the delimiter (i.e. '.' or ':') flashes. For lap timing, press the **reset** key. To stop and reset a timer to the start value, hold down the **reset** key for 1 second.

Once a timer is running, you can leave the timer page and select any other display. The counter will continue to run in the background.

Race-start timers

You can set each race-start timer to any whole-minute value from 1 to 15 minutes.

Note: *When the instrument is first installed, the race-start timers are set to 4 and 5 minutes respectively.*

To set a race-start timer:

1. Use the **trip** key as shown in the *Using trip key* flow diagram to select the required race-start timer.
2. Simultaneously press the **trip** and **reset** keys to enter the race-start timer adjust mode.
3. Use either the **trip** or **reset** key to set the required value.
4. Simultaneously press the **trip** and **reset** keys to save the value and leave the race-start timer adjust mode.

If you are using one of the race-start timers and the timer buzzer is enabled, the buzzer will:

- Double-beep every minute.
- Beep three times at the start of the last 30 seconds.
- Beep once for each of the last 10 seconds.
- Beep for 2 seconds at zero.

The timer buzzer is enabled or disabled as part of the calibration procedure (see *Chapter 4, Calibration*).

Note: *After a race-start timer has counted-down to zero, it will then start counting up.*

1.3 Alarms

An alarm condition occurs if:

- The depth is less than the SHALLOW or SHALLOW anchor threshold.
- The depth is greater than the DEEP anchor threshold.
- The depth crosses the DEEP threshold.

An alarm condition is indicated by an alarm buzzer and a flashing alarm symbol (▲) on the display. SHALLOW or DEEP alarms are indicated by up and down arrows respectively, and for anchor alarms an anchor symbol (⚓) is displayed.

When the instrument is operating as a master, you can check the alarm thresholds and if necessary set them up, as detailed under *Normal operation - Depth*. If an alarm is not enabled, the associated display shows an OFF legend.

1.4 Display settings

Illumination

When the instrument is first powered up, the display illumination is set to its lowest (courtesy) level, to facilitate initial access to the keys.

To adjust the level of display illumination:

1. Hold down the **depth** key for approximately one second, to enter the illumination-adjust mode.
2. There are four preset illumination levels. Use the **depth** key to cycle through these levels until you reach the level you want.

3. Press any other key to leave the illumination-adjust mode.

Note: *The display will also return to normal operation 7 seconds after the last key press.*

Contrast

To adjust the display contrast:

1. Hold down the **depth** key for approximately two seconds, to enter the contrast-adjust mode.
2. There are four preset contrast settings. Use the **depth** key to cycle through these settings until you achieve optimum display quality.
3. Press any other key to leave the contrast-adjust mode.

Note: *The display will also return to normal operation 7 seconds after the last key press.*

1.5 Remote control

When it is connected to SeaTalk, the ST60 Tridata instrument can be controlled remotely with a SeaTalk Remote Keypad Unit. Remote control of an instrument is indicated by a REMOTE legend on the display, to indicate that the keypad has control.

Details on how to use the remote control facility can be found in the *SeaTalk Remote Keypad Owner's Handbook*.

Chapter 2: Maintenance and Faultfinding

2.1 Maintenance

Servicing and safety

- Raymarine equipment should be serviced only by authorised Raymarine service technicians. They will ensure that servicing procedures and replacement parts used will not affect performance. There are no user-serviceable parts in any Raymarine product.
- Some products generate high voltages, and so never handle the cables/connectors when power is being applied to the equipment.
- When powered up, all electrical equipment produces electromagnetic fields. These can cause adjacent pieces of electrical equipment to interact with one another, with a consequent adverse effect on operation. In order to minimise these effects and enable you to get the best possible performance from your Raymarine equipment, guidelines are given in the installation instructions, to enable you to ensure minimum interaction between different items of equipment, i.e. ensure optimum Electromagnetic Compatibility (EMC).
- Always report any EMC-related problem to your nearest Raymarine dealer. We use such information to improve our quality standards.
- In some installations, it may not be possible to prevent the equipment from being affected by external influences. In general this will not damage the equipment but it can lead to spurious resetting action, or momentarily may result in faulty operation.

Instrument

Certain atmospheric conditions may cause condensation to form on the instrument window. This will not harm the instrument and can be cleared by increasing the illumination setting to Level 3.

Periodically clean your ST60 instrument with a soft damp cloth. Do NOT use chemical and abrasive materials to clean the instrument.

Transducers

Refer to the Installation and Maintenance instructions supplied with the transducers.

Cabling

Examine all cables for chafing or other damage to the outer shield and, where necessary, replace and re-secure.

2.2 Fault finding

Preliminary procedures

Changes in the electronic environment may adversely affect the operation of your ST60 equipment. Typical examples of such changes are:

- Electrical equipment has recently been installed or moved aboard your vessel.
- You are in the vicinity of another vessel or shore station emitting radio signals.

If you appear to have a problem, first ensure that the EMC requirements (see *Chapter 3, Installation*) are still being met before further investigating the problem.

Fixing faults

All Raymarine products are subjected to comprehensive test and quality assurance programmes prior to packing and shipping. However, if a fault occurs, the following table may help to identify and rectify the problem.

Fault	Cause	Remedy
Instrument display blank.	No power supply.	Check power supply. Check SeaTalk cabling and connector security. Check fuse/circuit breaker.
No speed or temperature information.	Speed transducer cabling problem.	Check cabling and security of transducer connections.
No speed information.	Speed transducer paddle wheel fouled	Clean paddle wheel. See CAUTION below.
No exchange of information between SeaTalk instruments	SeaTalk cabling problem.	Check the security of SeaTalk connectors. Disconnect instruments one by one, to isolate faulty unit

Fault	Cause	Remedy
Failure of group of instruments in SeaTalk chain.	SeaTalk cabling or connector problem.	Check the security of SeaTalk connections between functioning and non-functioning instruments.
LAST flashes or dashes displayed continuously (depth greater than 3 feet).	Depth transducer or connection problem.	Check depth transducer cable and security of transducer connections.
LAST flashes while under way.	Aerated water Boat wake Prop wash etc	Ensure readings stabilise when clear of disturbed water.

CAUTION:

If you need to remove the Speed transducer insert, have the transducer bung to hand and secure it in the transducer body immediately after the insert has been removed, to prevent excessive ingress of water.

Technical support

Raymarine provides a comprehensive customer support service, on the world wide web and by telephone help line. Please use either of these facilities if you are unable to rectify a problem.

World wide web

Please visit the Customer Support area of our web site at:

www.raymarine.com

As well as providing a comprehensive Frequently Asked Questions section and servicing information, it also gives e-mail access to the Raymarine Technical Support Department and a details of the locations of Raymarine agents, worldwide.

Telephone help line

If you do not have access to the world wide web, please call:

1-800-539-5539, extension 2444 or
(603) 881-5200 extension 2444

Help us to help you

When requesting service, please quote the following product information:

- Equipment type.
- Model number.
- Serial number.
- Software issue number.

The Software issue number can be ascertained by means of the Intermediate Calibration facility, see *Chapter 4, Calibration*.

Chapter 3: Installation

This chapter describes how to install the ST60 Tridata instrument, and associated Speed and Depth transducers. The transducers are fitted in the hull of the vessel and connected to the rear of the instrument. The actual type of transducers depends on the type of hull in which they are to be installed.

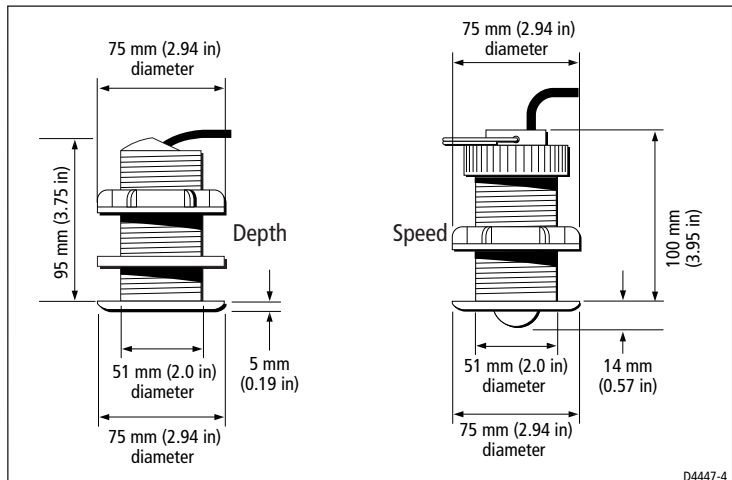
For advice, or further information regarding the installation of this equipment, please contact the Raymarine Product Support Department or your own National Distributor.

3.1 Planning your installation

Before starting the installation, spend some time considering the best positions for both transducer and instrument, such that the *Site Requirements* and the *EMC Guidelines* (below) are satisfied.

Site requirements

Transducers

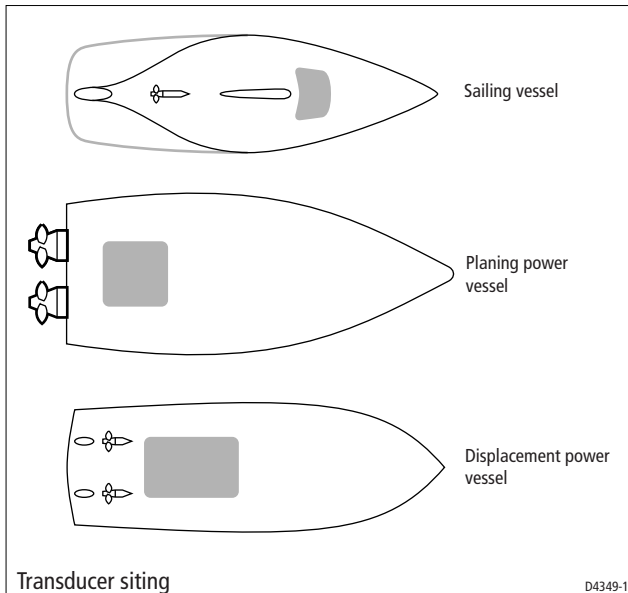


The transducer types required for the various hull types are as follows:

Hull material	Speed transducer	Depth transducer
Glass reinforced plastic (GRP)	M78712 Through hull plastic	M78713 Through hull plastic or M78718 Retractable through hull
Steel	M78712 Through hull plastic	M78713 Through hull plastic or M78718 Retractable through hull
Aluminium	M78712 Through hull plastic	M78713 Through hull plastic or M78718 Retractable through hull
Wood	M78716 Through hull bronze	M78714 Through hull bronze or M78719 Retractable through hull bronze

Other transducer types are also available for specific requirements. For further details, contact your local Raymarine dealer.

For accurate speed and depth readings the transducers should be sited within the clear water flow areas indicated by the shaded areas in the following diagram.

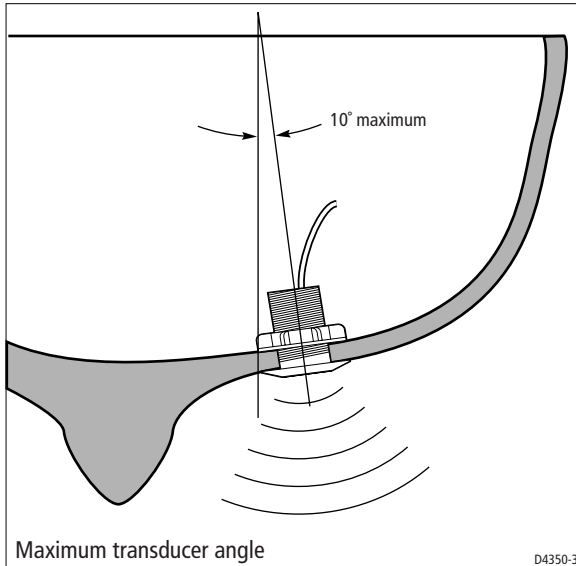


The transducers should also:

- Be ahead of the propellers (by a minimum of 10% of the water line length).
- Be at least 150 mm (6 in) away from the keel (ideally ahead of the keel if a sailing yacht).

- Be as near as possible to the centre line of the vessel.
- Be clear of other through-hull fittings or projections.
- Have sufficient clearance inside the hull to fit the nut.
- Have 100 mm (4 in) of headroom to allow for withdrawal.

In addition to the above requirements, the depth transducer must be mounted within 10° of the vertical, forward, aft and athwart ships.



Instrument

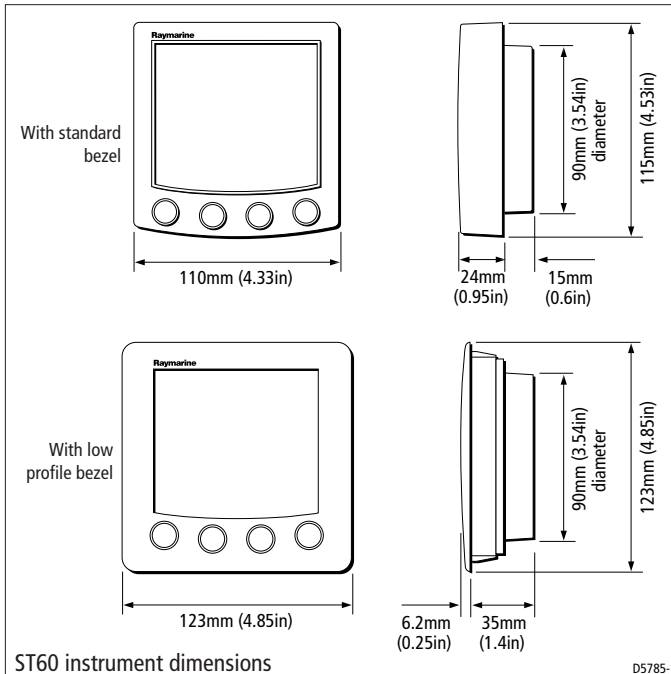
CAUTION:

The presence of moisture at the rear of the instrument could cause damage either by entering the instrument through the breathing hole or by coming into contact with the electrical connectors.

ST60 instruments can be fitted either above or below deck, provided the rear of the instrument is sited where it is protected from contact with water.

Each instrument must also be positioned where:

- It is easily read by the helmsman
- It is protected against physical damage
- It is at least 230 mm (9 in) from a compass
- It is at least 500 mm (20 in) from radio receiving equipment
- There is reasonable rear access for installation and servicing



EMC Installation Guidelines

All Raymarine equipment and accessories are designed to the best industry standards for use in the recreational marine environment.

Their design and manufacture conforms to the appropriate Electromagnetic Compatibility (EMC) standards, but correct installation is required to ensure that performance is not compromised. Although every effort has been taken to ensure that they will perform under all conditions, it is important to understand what factors could affect the operation of the product.

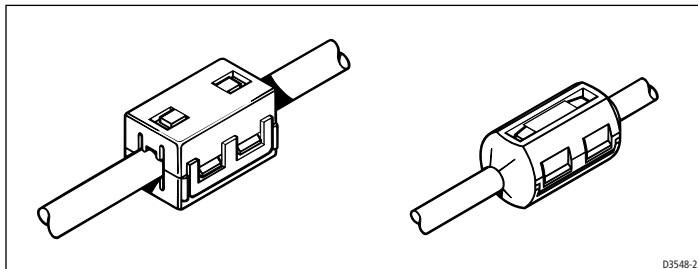
The guidelines given here describe the conditions for optimum EMC performance, but it is recognized that it may not be possible to meet all of these conditions in all situations. To ensure the best possible conditions for EMC performance within the constraints imposed by any location, always ensure the maximum separation possible between different items of electrical equipment.

For **optimum** EMC performance, it is recommended that **wherever possible**:

- Raymarine equipment and cables connected to it are:
 - At least 3 ft (1 m) from any equipment transmitting or cables carrying radio signals e.g. VHF radios, cables and antennas. In the case of SSB radios, the distance should be increased to 7 ft (2 m).
 - More than 7 ft (2 m) from the path of a radar beam. A radar beam can normally be assumed to spread 20 degrees above and below the radiating element.
- The equipment is supplied from a separate battery from that used for engine start. Voltage drops below 10 V in the power supply to our products, and starter motor transients, can cause the equipment to reset. This will not damage the equipment, but may cause the loss of some information and may change the operating mode.
- Raymarine specified cables are used. Cutting and rejoining these cables can compromise EMC performance and must be avoided unless doing so is detailed in the installation manual.
- If a suppression ferrite is attached to a cable, this ferrite should not be removed. If the ferrite needs to be removed during installation it must be reassembled in the same position.

Suppression Ferrites

The following illustration shows typical cable suppression ferrites used with Raymarine equipment. Always use the ferrites supplied by Raymarine.



Connections to Other Equipment

If your Raymarine equipment is to be connected to other equipment using a cable not supplied by Raymarine, a suppression ferrite **MUST** always be attached to the cable near the Raymarine unit.

3.2 Procedures

As it is not possible to describe procedures for all possible installation scenarios, the procedures given here describe the broad requirements for installing the Speed and Depth transducers and the ST60 Tridata instrument. Adapt these procedures as appropriate, to suit your individual requirement.

CAUTION:

Where it is necessary to cut holes (e.g. for cable routing and instrument mounting), ensure that these will not cause a hazard by weakening critical parts of the vessel's structure.

Unpacking

Unpack your ST60 equipment and check that the items described in *Introduction* are present.

Each ST60 instrument is supplied with a standard bezel for surface mounting. Optional mounting kits are available for flush mounting and bracket mounting the instrument. If you have ordered the flush mounting option a low-profile bezel and four fixing screws are also provided.

Fitting the instrument

The ST60 Tridata instrument can be installed using one of a number of different mounting options:

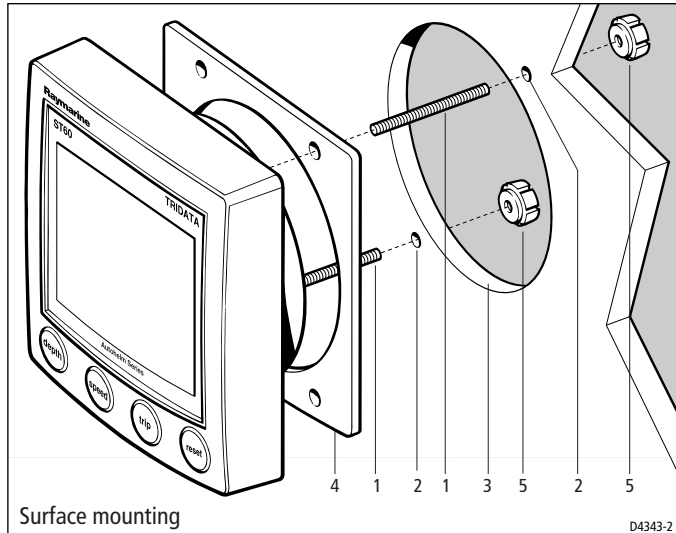
- Surface mounting. Gives a profile of approximately 24 mm.
- Flush mounting. Gives a profile of approximately 6 mm.
- Bracket mounting.

The ST60 instruments can also be mounted behind a panel with just the instrument dial and keys visible.

Surface mounting

To surface mount your ST60 instrument (see the *Surface mounting* illustration):

1. Ensure that:
 - The selected location is clean, smooth and flat.
 - There is sufficient space behind the selected location to accommodate the rear of the instrument and connectors.



2. Apply the surface mount template (supplied at the rear of this handbook) to the selected location and mark the centres for the fixing studs (1) and the aperture (3) that will take the rear casing of the instrument.
3. Drill out the two 5 mm fixing stud clearance holes (2).
4. Cut out the clearance hole (3) then remove the template.
5. Peel off the protective sheet from the self-adhesive gasket (4) then stick the gasket into position on the rear of the instrument.
6. Screw the two fixing studs into the threaded sockets on the rear of the instrument.
7. Mount the assembled instrument, studs, bezel and gasket into the panel. Secure from behind with the thumb nuts (5).

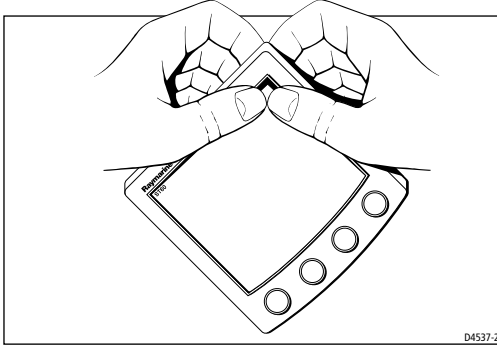
Flush mounting

The Flush Mounting Kit uses a low-profile bezel to reduce the fitted profile of the instrument, to approximately 6 mm above the panel fascia.

Fitting the low-profile bezel

In order to flush-mount your ST60 instrument, you must first replace the standard bezel with the low-profile bezel as follows:

1. Hold the instrument in both hands with the display towards you.

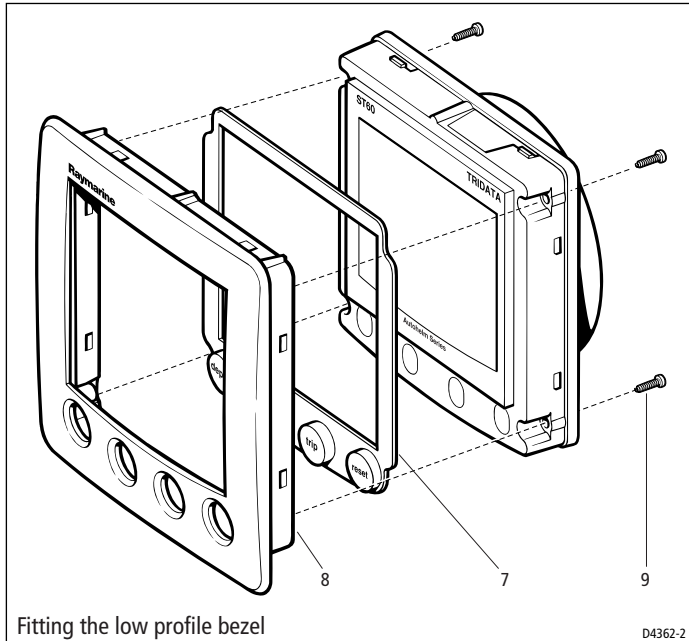


2. Using both thumbs, gently press an upper corner of the instrument from the bezel, then remove the bezel from the instrument. Retain the rubber keypad which is released when the bezel is removed.
3. Referring to the *Fitting the low-profile bezel* illustration, place the instrument face upwards on a flat surface and place the rubber keypad (7) in position around the display window (i.e. so that each key outline is located over its associated key on the instrument).
4. Snap the low-profile bezel (8) in position over the instrument, so that the rubber keys are correctly located in the holes on the bezel.

CAUTION:

It is essential that only screws of the correct size are used to secure the instrument to the bezel. Failure to observe this caution could result in damage to both the instrument and the bezel.

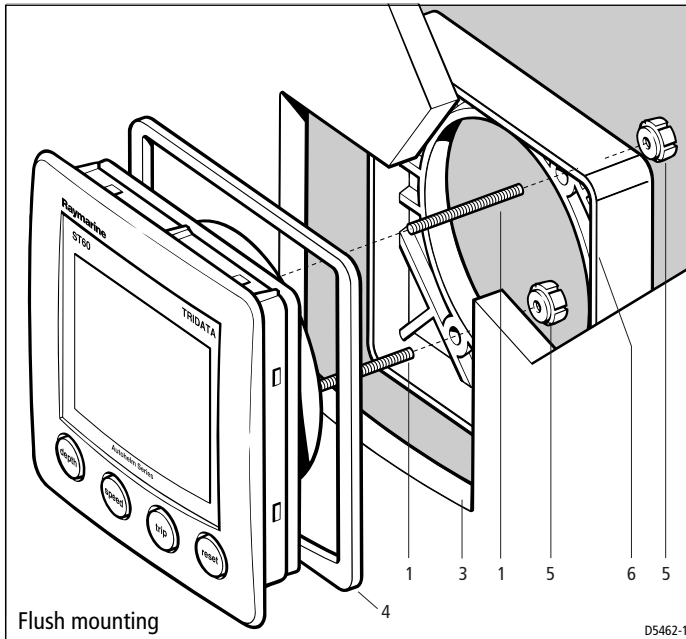
5. Using the four, self-tapping screws (9) provided, secure the instrument and bezel together. Fit the screws from the rear of the instrument and tighten them sufficiently to secure the instrument and bezel together. **DO NOT OVERTIGHTEN.**



Flush mounting procedure

Flush mount your instrument (see the *Flush mounting* illustration) as follows:

1. Assemble the ST60 instrument and low-profile bezel as described under *Fitting the low-profile bezel*.
2. Ensure that:
 - The panel on which you intend to mount the instrument is between 3 mm and 20 mm thickness.
 - The selected location is clean, smooth and flat.
 - There is sufficient space behind the selected location to accommodate the rear of the instrument and connectors.
3. Apply the flush mount template (supplied at the rear of this handbook) to the selected location and mark out the aperture into which the assembled instrument and bezel will sit.
4. Cut out the aperture (3) for the assembled instrument and bezel and remove the template.
5. Peel off the protective sheet from the self-adhesive gasket (4) then stick the gasket into position on the rear of the bezel.



6. Screw the two fixing studs (1) into the threaded sockets on the rear of the instrument.
7. Mount the assembled instrument, studs, bezel and gasket into the panel.
8. Locate the flush mount bracket (6) onto the fixing studs and secure the assembly to the panel with the thumb-nuts (5).

Bracket mounting

A Control Unit Mounting Bracket (Part No. E25009) enables you to mount your ST60 instrument in locations where other forms of mounting are impractical. Although this provides a useful alternative method for securing your instrument, it is only suitable for use in positions where the instrument will not be exposed to water.

To bracket mount your ST60 instrument, do so in accordance with the Control Unit Mounting Bracket *Instruction Sheet*.

Fitting transducer

The ST60 Tridata instrument is supplied, with appropriate through-hull Speed and Depth transducers.

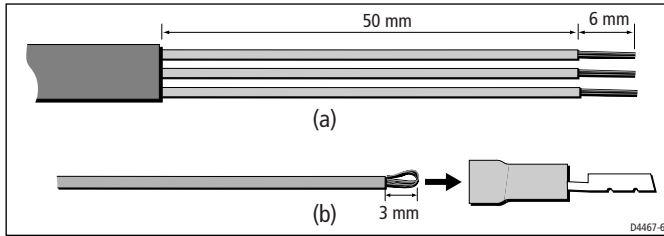
Each transducer is supplied with detailed instructions for installation and maintenance. Before attempting to install a transducer, read these instructions and the *Site requirements* for transducers described in this Chapter.

Once you are satisfied you can meet all the installation requirements, install the transducer in accordance with the accompanying installation instructions.

Running transducer cable

Each transducer type has a 14 m (45 ft) cable fitted with spade terminals for connection to the ST60 Tridata instrument. The manner in which you run the cable will depend on the locations of the transducers and instrument. The following guidelines are provided:

- If the cable has to be fed through the deck, always use a proprietary deck gland.
- Where cables are fed through holes, always use grommets to prevent chafing.
- Secure long cable runs so they do not present a hazard.
- Do not route the cable through bilges.
- Wherever possible, route the cable away from fluorescent lights, engines, radio transmitting equipment, as these may cause interference.
- The transducer cables are fitted with spade connectors for direct connection to the rear of the instrument. However, it may be necessary to remove these to facilitate installation, e.g. if a cable has to be routed through narrow apertures. Extra spade connectors are provided, to replace any that are removed when running transducer cables. When fitting spade connectors, prepare the cable as at (a) in the following illustration, then fold back the wire strands and insert into the spade connector as at (b). Ensure the wire strands do not extend beyond the rear of the spade connector insulation, then crimp the connector to the wire.



Observing the above guidelines, run the transducer cables to the ST60 Tridata instrument.

Connecting the instrument

Types of connection

The ST60 Tridata instrument, can be connected:

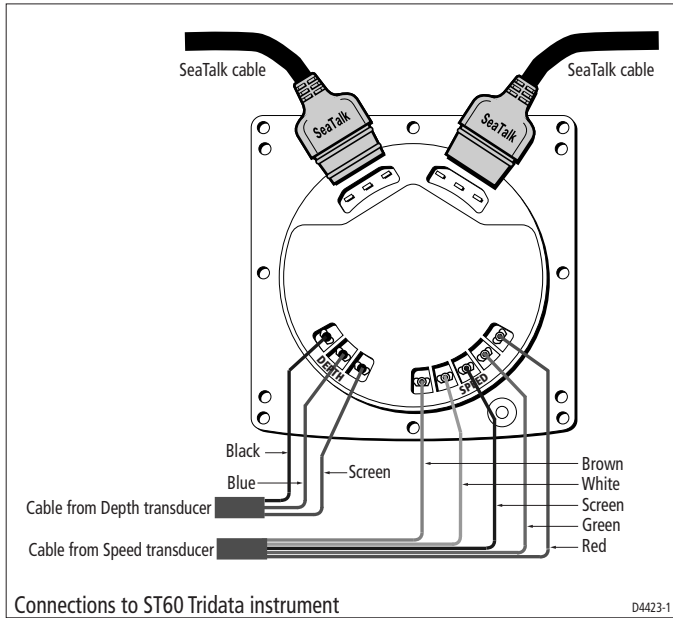
- As a stand-alone, master instrument connected directly to a Speed and/or Depth transducer.
- As a SeaTalk repeater.
- To fulfil both repeater and master roles by being connected both to the transducer and to SeaTalk.

If instruments are connected to SeaTalk, no separate power connection is necessary. Where a SeaTalk system includes an autopilot, the power for the system is provided by the autopilot.

A range of Raymarine SeaTalk extension cables is available to connect separated instruments. These cables are supplied with a SeaTalk connector fitted to each end. A junction box can be used to join cables.

Signal connections

Make the necessary connections to your ST60 instrument (see the *Connection to ST60 Tridata instrument* illustration).



Power supply connections

SeaTalk systems

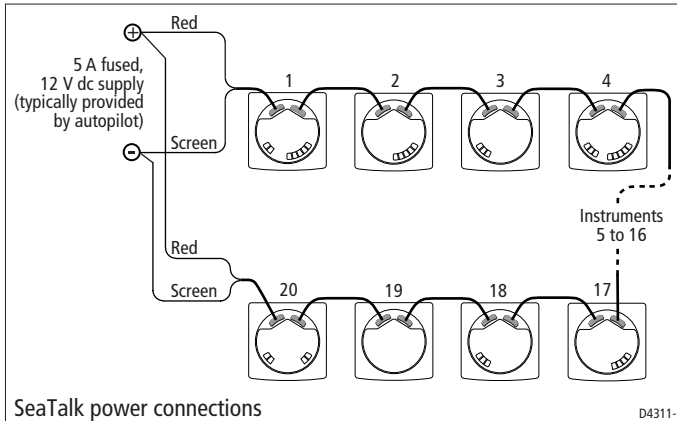
CAUTION:

When instruments are connected to SeaTalk, ensure that the power supply for the SeaTalk 12 V line is protected by a 5 A fuse.

Systems with a large number of instruments on the SeaTalk bus may require connections to the power supply from each end of the system ('ring-main' style), to maintain sufficient voltage throughout the system.

This requirement depends on the total length of the cable run and the total number of instruments in the system, as follows:

Cable run	No. of instruments	Power connections
Up to 10 m	13 maximum	1
	26 maximum	2
Up to 20 m	7 maximum	1
	13 maximum	2

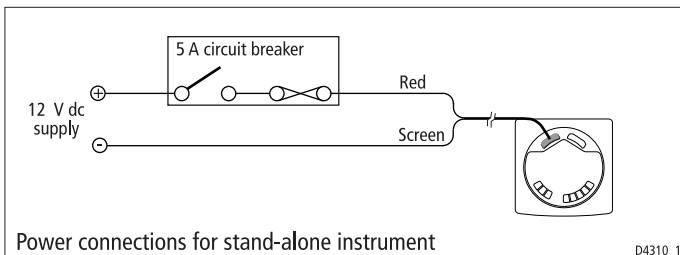


Stand alone instruments

Stand-alone instruments are not connected to SeaTalk and therefore need to be connected to an alternative 12 V power source. Power cables are available in 2 m and 9 m lengths.

To fit a power cable:

1. Ensure the intended power source is switched off. If you are using a 12 V battery, ensure the power cable is not connected to the battery.
2. Run the power cable from the instrument to a suitable 12 V dc power source.
3. If the cable has not already been trimmed at the power supply end:
 - Cut the cable to length and trim back an appropriate amount of the outer sheath.
 - Cut back and insulate the yellow wire.
4. Connect the screen to the power supply 0 V terminal.
5. Connect the red wire via a 3 A over-current circuit breaker to the power supply +12 V terminal.



Chapter 4: Calibration

4.1 Introduction

The ST60 Tridata instrument is set up with factory-programmed default settings, so in order to optimise the performance of the instrument on board a particular vessel, the procedures in this Chapter must be carried out immediately after the completion of installation and before the equipment is used for navigational purposes.

Where practicable, the calibration procedures are presented diagrammatically to show the sequence of key presses and the resulting displays. Adjustment instructions are given as applicable.

Speed readings

One of the reasons for calibration is to ensure that the speed readings displayed at the instrument are a true indication of the actual speed of the vessel.

In *User calibration - Speed*, you can:

- Automatically set the displayed speed reading to be the same as the Speed Over Ground (SOG) (if SOG data is available).
- Manually apply a calibration factor, to set the displayed speed to the required value.

If neither of the above methods are suitable, you can carry out a speed calibration run over a measured distance, to enable the instrument to calculate the correct calibration factor. This is described as part of *Intermediate* calibration.

EMC conformance

Always check the installation before going to sea to make sure that it is not affected by radio transmissions, engine starting etc.

4.2 User calibration

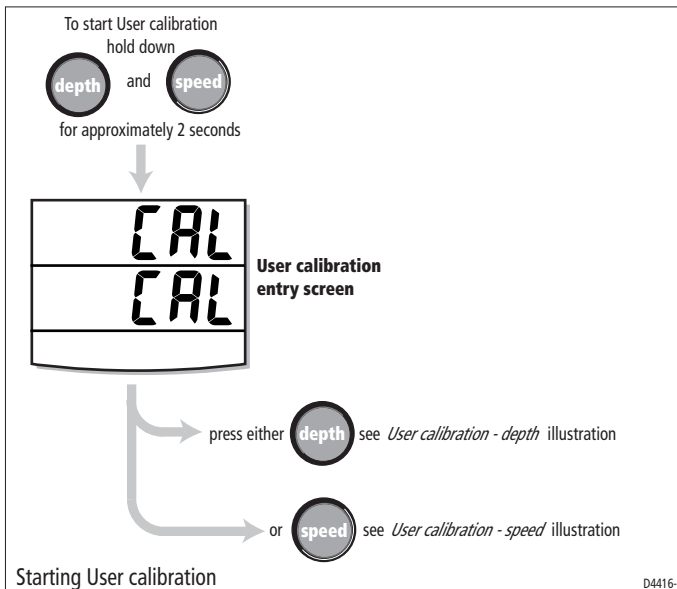
The User calibration procedures enable you to:

- Set the required units for depth readings.
- Set the offset for depth readings, i.e. determine whether depth readings are from the keel of the vessel or from the water line.

- Lock the shallow alarm.
- Set the required units for speed readings.
- Set the speed resolution.
- Select the log distance units
- Either calibrate the speed reading to Speed Over Ground (SOG) or manually apply a calibration factor, to obtain correct speed through the water.
- Select temperature units.
- Calibrate for correct temperature readings.
- Set timer alarm buzzer on or off.

Separate routines are provided for the User calibration of the depth and speed functions. To carry out either of these routines:

1. Power up the ST60 Tridata instrument.



2. Press the **depth** and **speed** keys for approximately 2 seconds so that the User calibration entry screen is displayed.
3. Carry out the User calibration procedures for *Depth* and *Speed*.

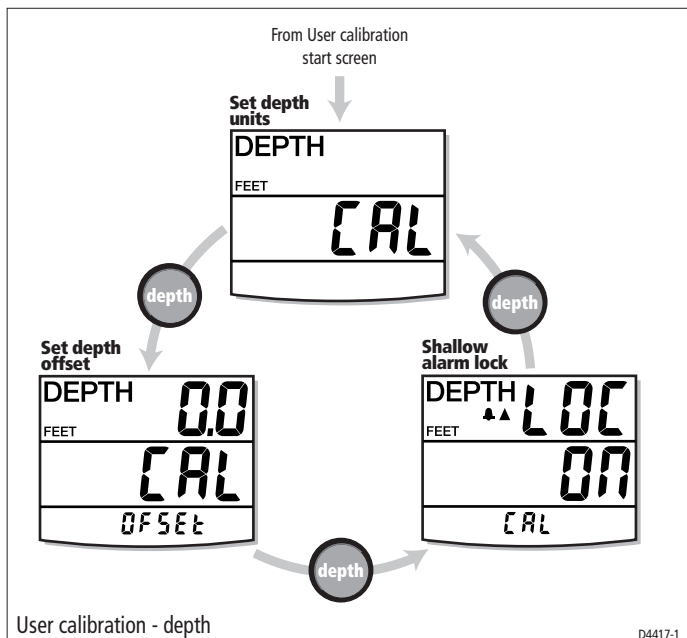
Depth

To calibrate the depth functions:

1. With the User calibration entry screen displayed, press the **depth** key.
2. Referring to the *User calibration - depth* illustration, carry out the calibration procedure. Use the **depth** key to cycle from screen to screen and the **trip** and **reset** keys to set the required values at each screen.

Depth units

You can set either FEET or METRES.



Depth offset



WARNING:

The use of incorrect offset values could result in misleading depth information being displayed with a consequent risk of running aground.

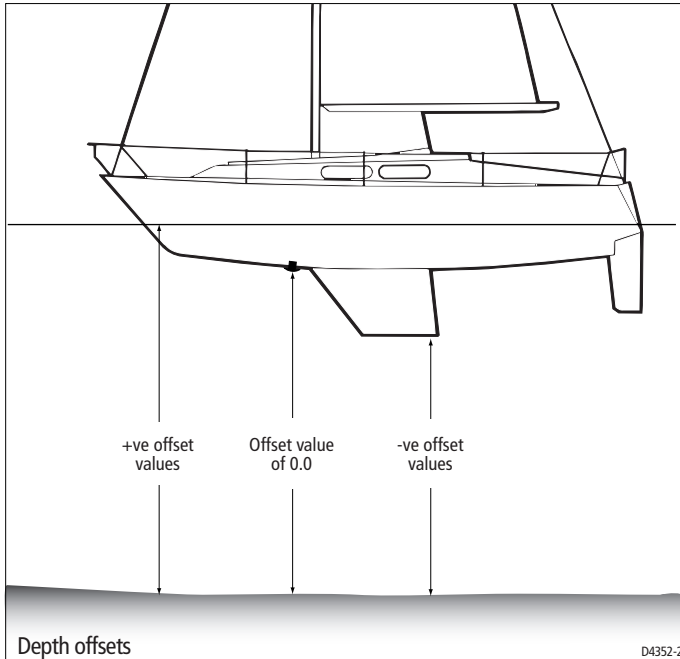
Depths are measured from the transducer to the sea bed. However, you can use the depth offset screen to apply offsets to this distance, so that the displayed depth reading represents either the depth from the keel or the

depth from the water line. In order to do this, you need to know the vertical separation between the transducer position and:

- The bottom of the keel.
- The water line.

Use the **trip** (decrement) and **reset** (increment) keys to set the required offset value:

- If you want to display the depth reading from the transducer, set a value of 0.0.
- If you want to apply a water line offset, adjust the displayed reading until the appropriate positive offset value is shown.
- If you want to apply a keel offset, adjust the displayed reading until the appropriate negative offset value is shown.



Shallow alarm lock

When set to on, prevents alteration to the shallow depth alarm threshold.

Speed

To calibrate the speed functions:

1. With the User calibration entry screen displayed, press the speed key.
2. Referring to the *User calibration - speed* illustration, carry out the calibration procedure. Use the speed key to cycle from screen to screen and the trip and reset keys to set the required values at each screen (except Adjust to SOG display).

Set speed units

Select either KTS (knots), MPH (miles per hour) or KMH (kilometres per hour), as required.

Set speed resolution

Select resolution of either 0.01 or 0.1 as required.

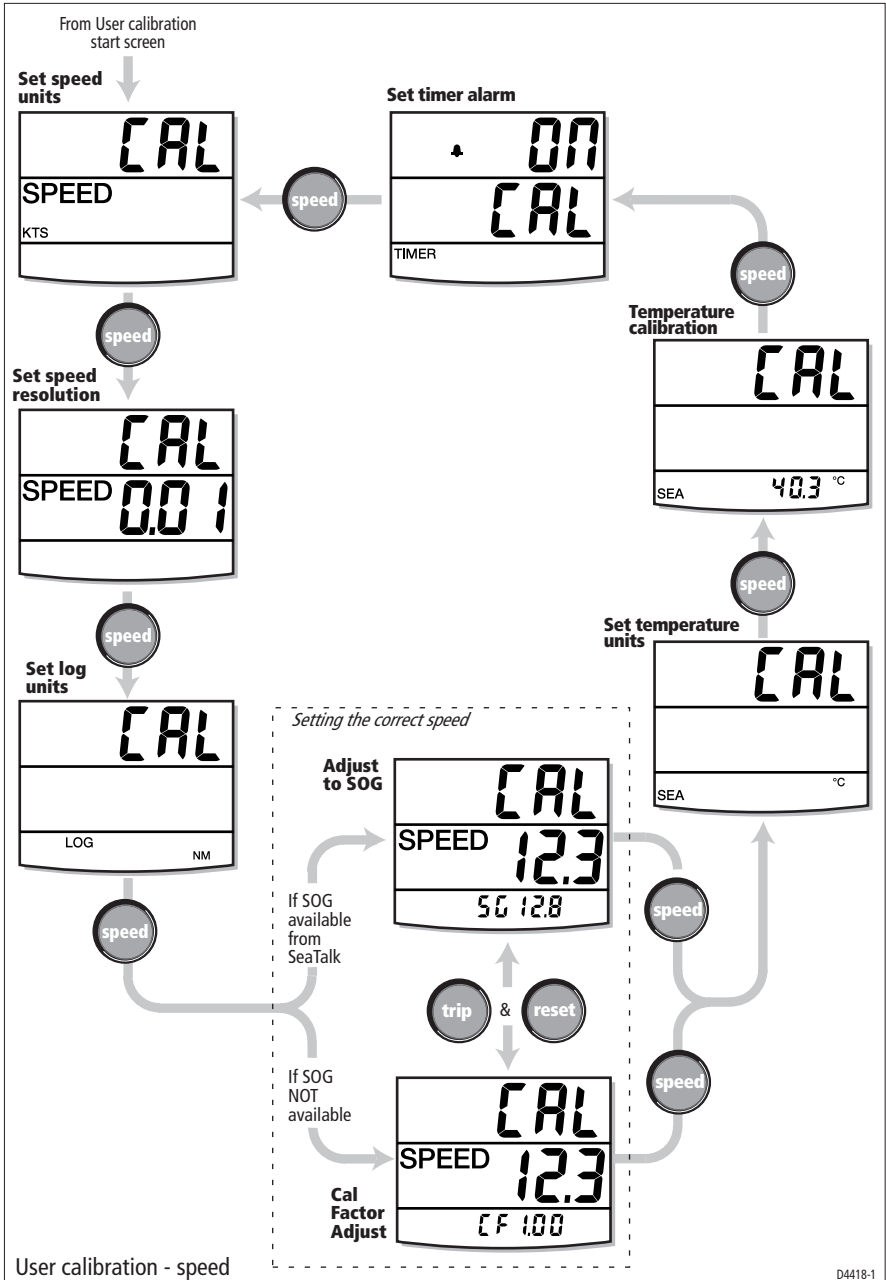
Set log units

Select either NM (nautical miles), SM (statute miles) or KM (kilometres), as required.

Setting the correct speed

Set the displayed (current) speed using one of the following methods:

- Use the Adjust to Speed Over Ground (SOG) screen to automatically set the current speed to SOG (if available from SeaTalk). You must be running in slack tide conditions to successfully use this method.
- Manually apply a calibration factor by means of the Cal factor adjust screen, to set the displayed speed value to your best estimate of the vessel's speed.



Adjust to SOG

The Adjust to SOG screen is displayed only if SOG data is available from SeaTalk. The current SOG is displayed in the bottom section of the display (SG12.8 in the illustration), and the current speed registered by the instrument, as large figures in the middle section of the display (12.3 in the illustration).

It is recommended that, if you are running in slack tide conditions, you press the **reset** key for 3 seconds, to accept the SOG as the current speed.

If you do not wish to accept SOG as the current speed, press the **trip** and **reset** keys together to select the Cal factor adjust display.

Cal factor adjust

The Cal factor adjust screen enables you to manually adjust the calibration factor. It shows the current calibration factor in the bottom section of the display (CF 1.00 in the illustration), and the current speed as large figures (12.3 in the illustration).

Use the **trip** or **reset** key to adjust the calibration factor so that the current speed is the speed through the water.

If SOG data is available from SeaTalk, you can turn to the Adjust to SOG screen by pressing the **trip** and **reset** keys.

Note: *If neither of the above methods gives satisfactory results, carry out the Speed calibration procedure (part of Intermediate calibration).*

Set temperature units

Select either °C or °F, as required.

Temperature calibration

Set the display to show the current water temperature.

Timer alarm buzzer

Switches the count-up and race-start timer audible alarm on the ST60 Tridata instrument being calibrated, on and off.

Leaving User calibration

Hold down the **depth** and **speed** keys for 2 seconds, to save your settings, exit User calibration and resume normal operation.

4.3 Intermediate calibration

Intermediate calibration enables you to:

- Check the instrument software version.
- Check the instrument status - either YES (master)) or NO (repeater). You can also change the depth status, as required. This feature is particularly useful in preventing interference when using another product (e.g. a fishfinder) that operates at 200 kHz.
- Carry out a calibration run over a measured distance to ensure accurate speed readings.

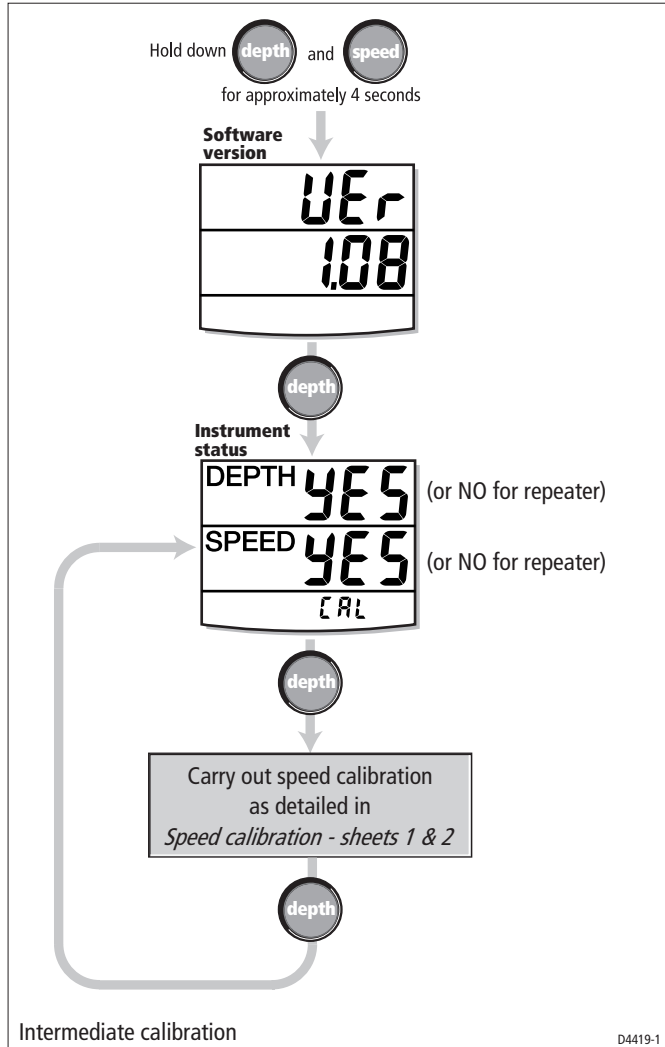
To start Intermediate calibration, hold down the **depth** and **speed** keys for approximately 4 seconds (see *Intermediate calibration* flow chart).

To set the instrument status:

1. Press the **depth** key to select the Instrument status screen.
2. Press the **trip** and **reset** keys simultaneously to enter the depth adjust mode, then press either **trip** or **reset** to set the required status, i.e. either YES (for master operation) or NO (for repeater operation).

Note: *You must not allocate more than one master depth instrument in any system.*

3. Press the trip and reset keys simultaneously again, to leave the adjust mode.



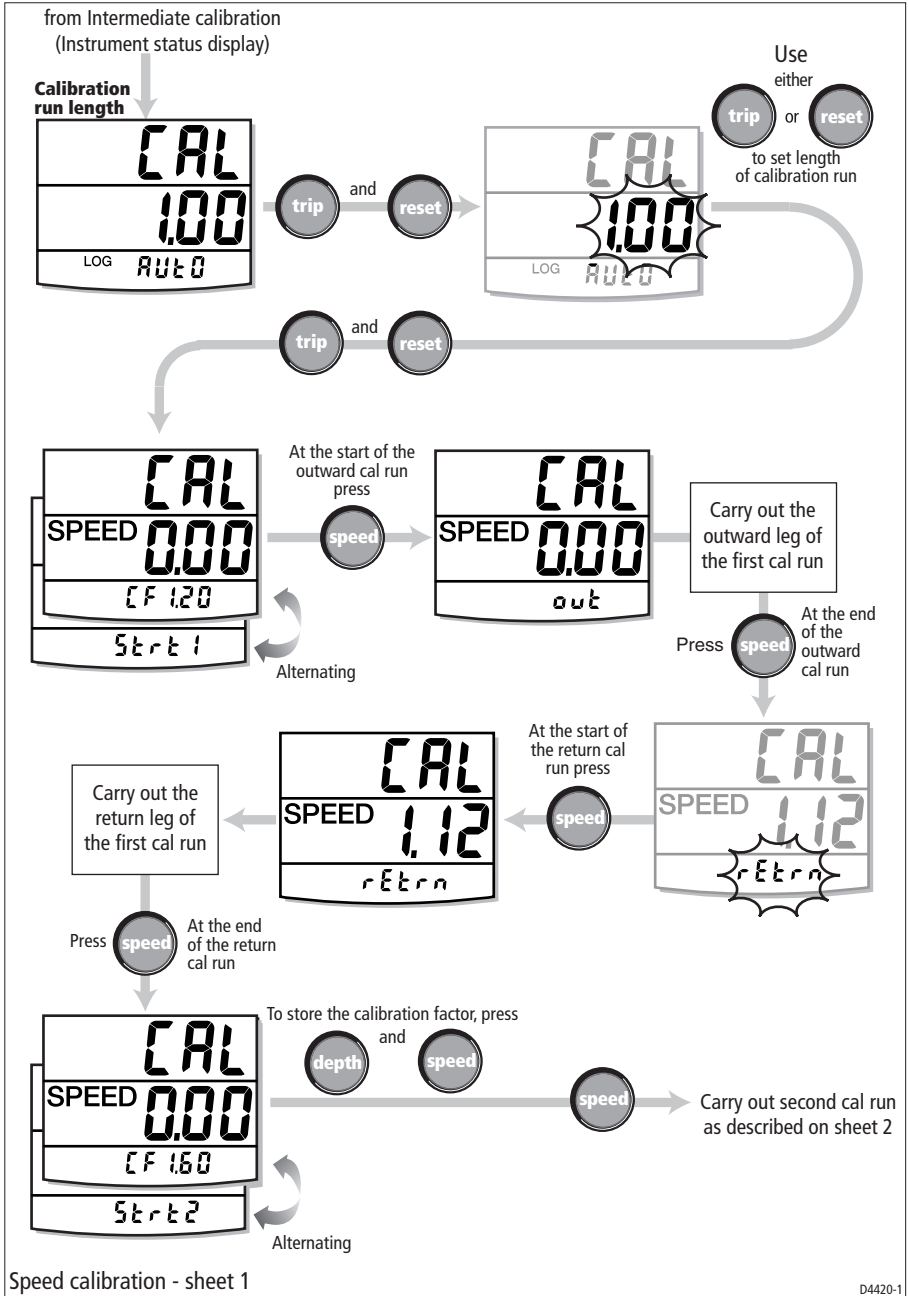
Speed calibration

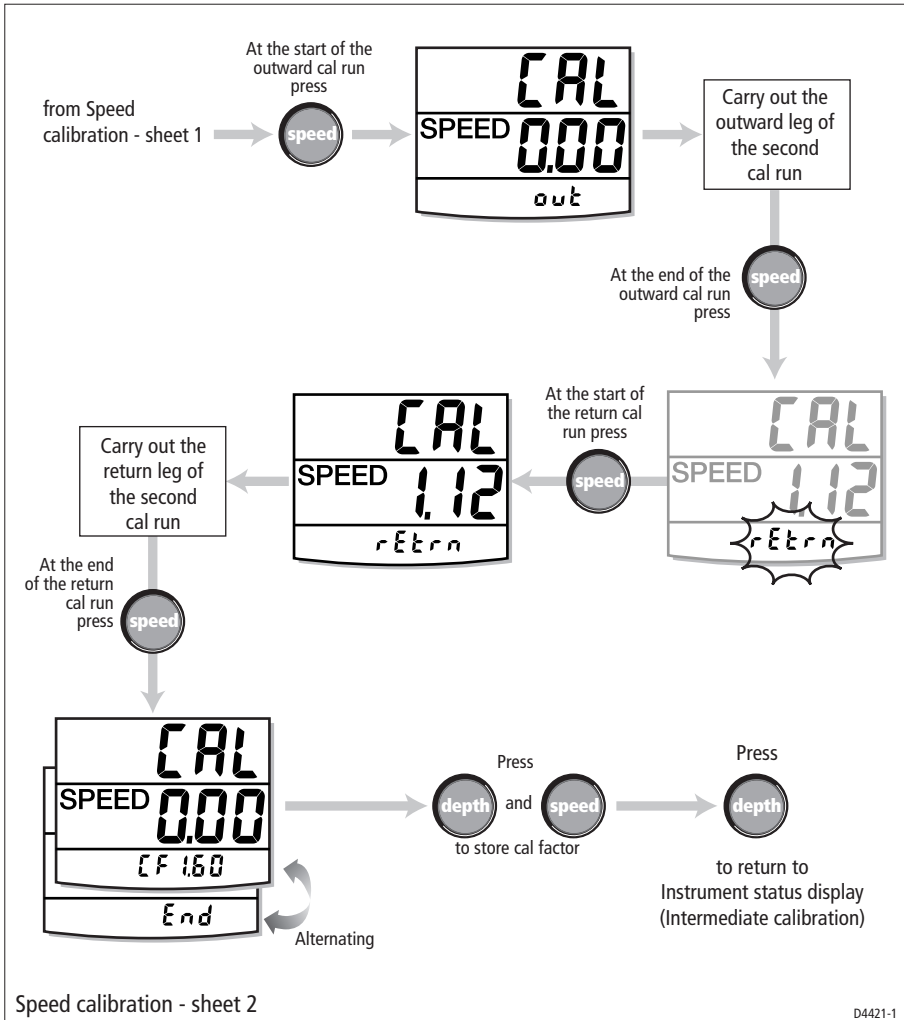
The speed calibration procedure involves carrying out two runs over a measured distance, to enable a calibration factor to be determined and applied to your ST60 Tridata instrument, to ensure optimum accuracy. Each calibration run comprises outward and return legs, to minimise the affect of tidal drift when the calibration factor is determined.

Note: *It is recommended that the speed calibration procedure is carried out in conditions of minimum tidal drift.*

To carry out a speed calibration, start the Intermediate calibration procedure and use the **speed** key to proceed to the Calibration run length screen (see sheet 1 of the Speed calibration flow chart). Proceed with the speed calibration as follows:

1. With the Calibration Run Length screen displayed, press the **trip** and **reset** keys together to enter adjust mode. In this mode, the displayed run length flashes on and off.
2. Set the length of the intended calibration run, using either the **trip** key to decrement or the **reset** key to increment the run length value. You can set any value between 0.25 and 2.50.
3. Press trip and reset keys together to commence the speed calibration. The Cal status screen is displayed. The text at the bottom of the screen alternates between Strt 1 and the calibration factor (CF) currently applied.
4. Start first outward leg of the calibration run and as you pass the start point, press the **speed** key, so that the text out shows at the bottom of the screen. As the calibration run proceeds, the displayed value will increment.
5. At the end of the measured distance on the outward leg, press the **speed** key again so that:
 - The text rEtrn is flashing at the bottom of the screen.
 - The displayed distance freezes. Note that this value will not be the same as the measured distance due to errors introduced by tidal flow.
6. Turn the vessel round, start the return leg and as you do so, press the **speed** key so the rEtrn legend stops flashing and the displayed value increments.
7. At the end of the return leg, press the **speed** key to end the calibration run. At this point:
 - The text Strt 2 alternating with the new calibration factor is displayed at the bottom of the screen.
 - The displayed distance freezes. This value should be very close to the actual (measured) distance of the calibration run.
8. Press the **depth** and **speed** keys together, to store the new calibration factor.





9. Carry out a second calibration run (see *sheet 2* of the *Speed calibration* flow chart), using the procedure described above in steps 4 to 8.

Note: At the end of this second run, the text *End* alternating with the new calibration factor is displayed at the bottom of the screen.

10. Press the speed key to leave distance calibration and return to the Instrument status screen.

Leaving Intermediate calibration

Hold down the **depth** and **speed** keys for 2 seconds, to save your settings, exit Intermediate calibration and resume normal operation.

4.4 Dealer calibration

The Dealer calibration procedures enable the following parameters to be set:

- User calibration on/off.
- Speed response.
- Depth response.
- Boat show mode on/off.

Dealer calibration also gives access to the Factory defaults screen. This enables you to re-apply the factory settings if you want to reset the instrument to a known operating condition.

To commence Dealer calibration, hold down the **depth** and **speed** keys together for approximately 12 seconds, to select the Dealer calibration entry page (see *Dealer calibration* diagram). Then press the **trip** and **reset** keys together, to enter the calibration screen sequence.

Use the depth key to move from screen to screen and the trip or the rest key to set the required values at each screen.

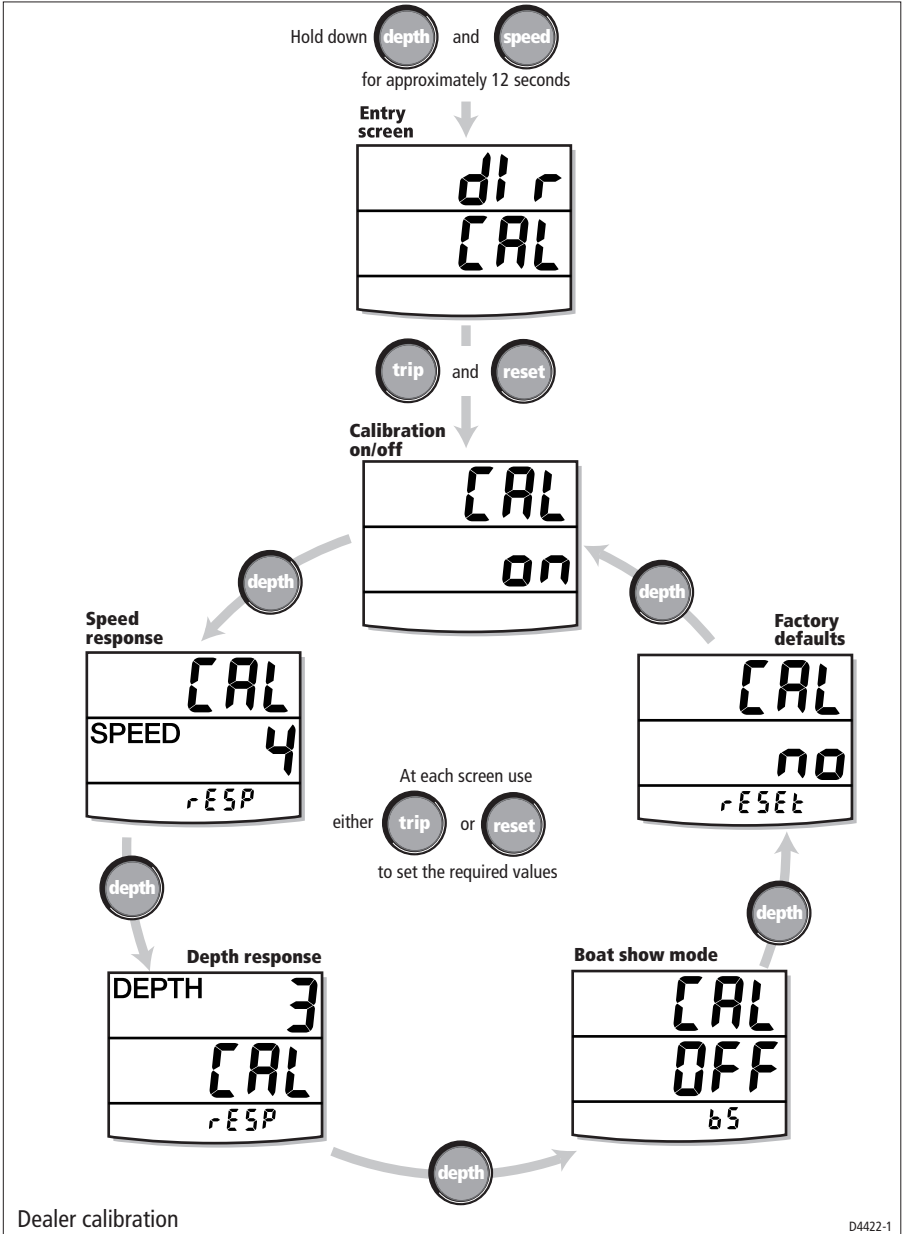
User calibration on/off

Press either the **trip** or **reset** key to toggle the User calibration on or off as required. With off selected, User calibration and Intermediate calibration are both disabled.

Response settings

The response values for both SPEED and DEPTH determine the frequency at which information is updated. A low number provides a smooth response and a high number a much livelier update.

Use the **trip** (decrement) and **reset** (increment) keys to set the required value. Response values are from 1 to 15.



Boat show mode

CAUTION:

Do NOT enable this mode. It must only be used for demonstration purposes.

Ensure that the Boatshow Mode Use is set to OFF. If necessary, use the **trip** or **reset** key to achieve this.

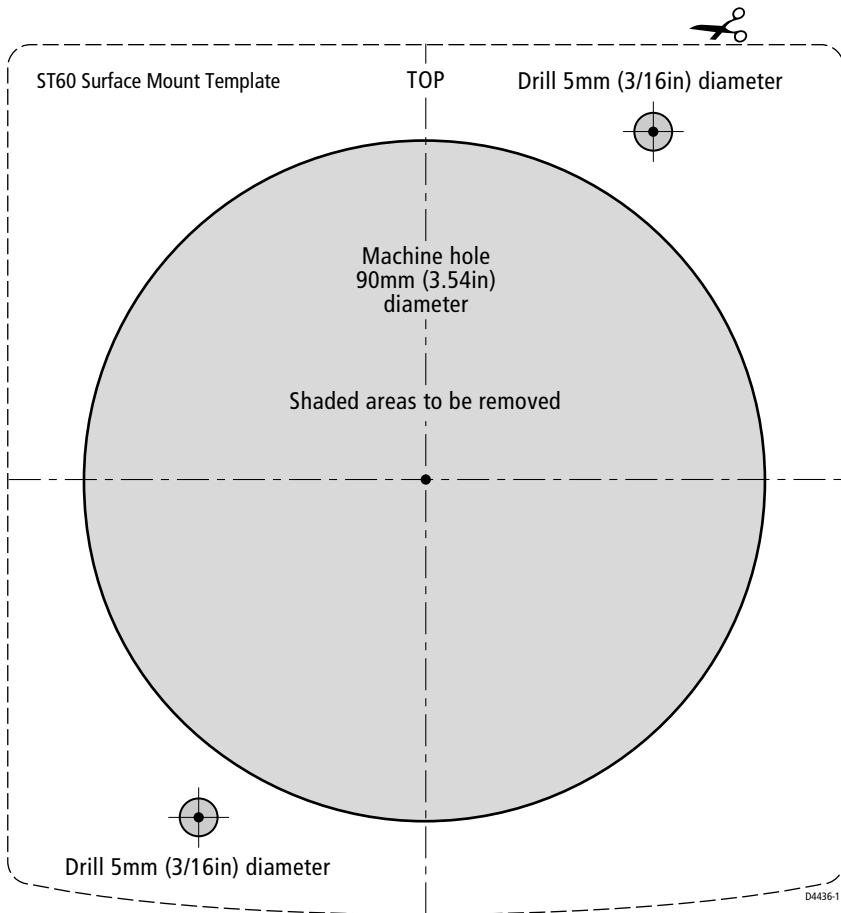
Factory defaults

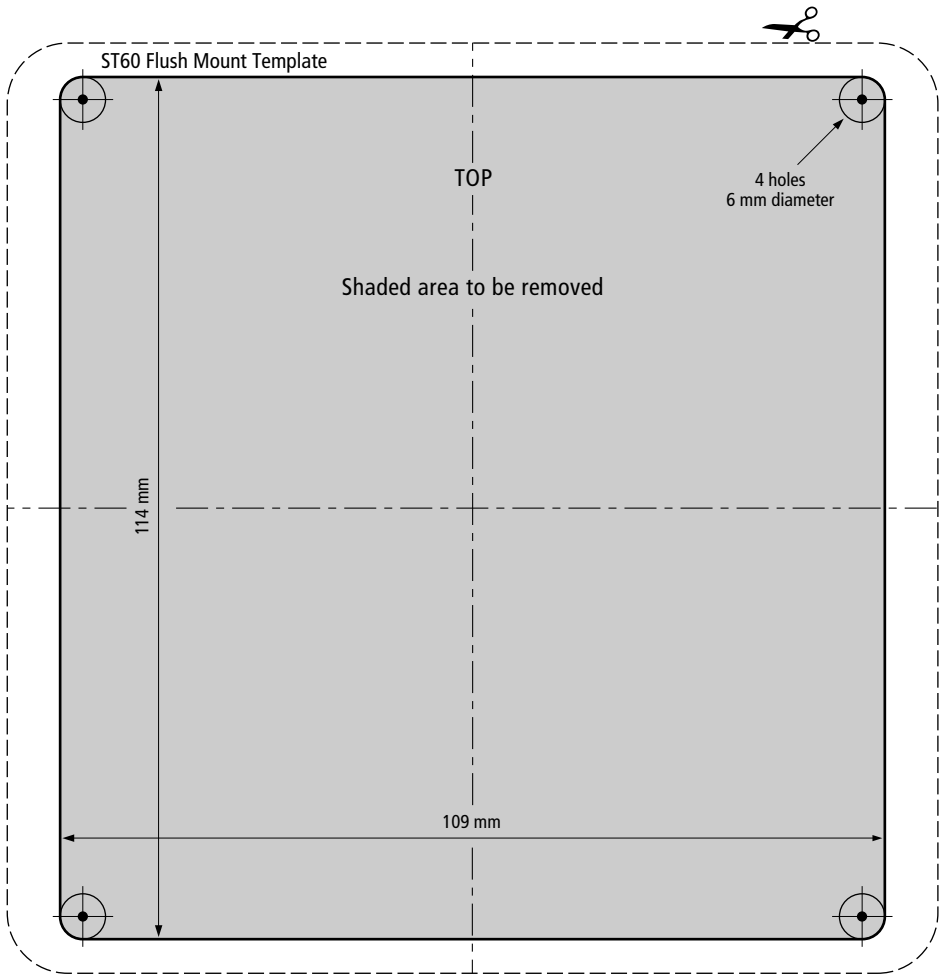
You can use this screen to reset the operating parameters to the factory default values. If you want to apply the factory defaults, ensure the display shows YES, but if you want to retain the values you have set up, ensure that the display shows NO. Use the **trip** and **reset** keys to make the required selection.

The values you have selected will be applied when you exit this screen.

Leaving Dealer calibration

Hold down the **depth** and **speed** keys for 2 seconds to save your settings, exit Dealer calibration and resume normal operation.





Free Manuals Download Website

<http://myh66.com>

<http://usermanuals.us>

<http://www.somanuals.com>

<http://www.4manuals.cc>

<http://www.manual-lib.com>

<http://www.404manual.com>

<http://www.luxmanual.com>

<http://aubethermostatmanual.com>

Golf course search by state

<http://golfingnear.com>

Email search by domain

<http://emailbydomain.com>

Auto manuals search

<http://auto.somanuals.com>

TV manuals search

<http://tv.somanuals.com>