

Job: \_\_\_\_\_  
 Engineer: \_\_\_\_\_  
 Contractor: \_\_\_\_\_  
 Prepared By: \_\_\_\_\_ Date: \_\_\_\_\_  
 Model: \_\_\_\_\_ Indoor

# Raytherm® - Type H

Hydronic Heating Boilers

Models 182-400 - Indoor

## EFFICIENT

- ▶ 82% efficiency – highest of any atmospheric boiler available today

## THERMAL SHOCK PROOF

- ▶ Twenty-year warranty against thermal shock damage up to 150°F differential
- ▶ Maximum operating temperature: 230°F

## LIGHTWEIGHT

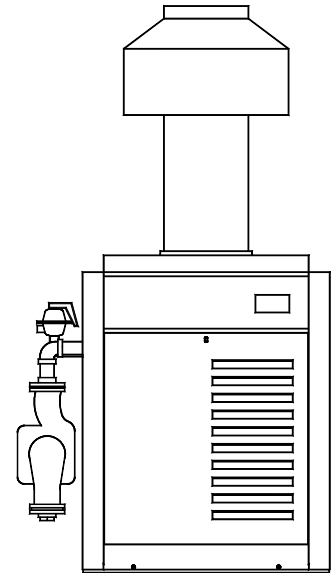
- ▶ A floor load of 70 lbs./sq. ft. or less

## HIGH RECOVERY

- ▶ Cuts fuel costs substantially because the standby and radiation losses normal to other boilers and tank-type water heaters are eliminated

## LOW WATER OPERATING TEMPERATURE

- ▶ Operates with water temperature as low as 105°F without condensing



### Heat Exchanger

- ASME Inspected and Stamped 160 PSIG
- National Board Approved
- Headers
  - Cast Iron Glass-lined – Standard
  - Bronze – Option A-1
- Finned Tubing
  - Copper – Standard
  - Cupro Nickel – Option A-3
- ASME Steel Tube Sheet
- Silicone O-Rings
- ASME Pressure Relief Valve
  - 45 PSIG – Standard
  - \_\_\_\_\_ PSIG ASME – Optional
- Temperature and Pressure Gauge, Shipped Loose
- Water Connections
  - Left Hand – Standard
  - Right Hand – Option A-6
- Flow Configuration – Two-pass
- Pump – Optional
  - Mounted, 1/8 HP, 120 Volt, 1Ø, 60 Hz

### Controls

- 120V, 60Hz, 1 Ph Power Supply
- 120/24V Transformer
- 100% Pilot Shut-off/Lockout
- Electronic, Intermittent Ignition (IID) Pilot
- High Limit Control, Manual Reset
- On/Off Switch
- Flow Switch
- Economaster II Pump Time Delay

### Gas Control Train

- Manual Main Gas Shut-off Cock
- Main Gas Pressure Regulator
- Redundant Safety Shut-off Valve
- Control Valve
- Firing Mode
  - On/Off (H4)
  - Two-stage Firing (H3)
  - Mechanical Modulation, 110-170°F (H5)
  - Mechanical Modulation, 150-210°F (H1)
- Fuel
  - Natural Gas
  - Propane Gas
- Design Certified ANSI Z21.13

### Construction

- Front Controls
- Stainless Steel Burners
- Polyulf Powder Coat Finish
- Vent Selection
  - Draft Diverter – Option D-10
  - Power Vent, Loose – Option D-2
- Base (Optional)
  - Combustible Floor Shield – Option J-1

### Temperature Controls

Note: H1 and H5 do not require a controller

- B-6 Two-stage – 100-200°F
- Y-241 Electronic Sequencer, 1-4 Stages
- Y-281 Electronic Sequencer, 1-8 Stages

### Additional Safety Controls

- F-10 Low Water Cut-off Probe
- I-1 High Limit Control, Auto Reset, 240°F
- S-1 Low Gas Pressure Switch, Manual
- S-2 High Gas Pressure Switch, Manual

### Regulatory Agency Requirements

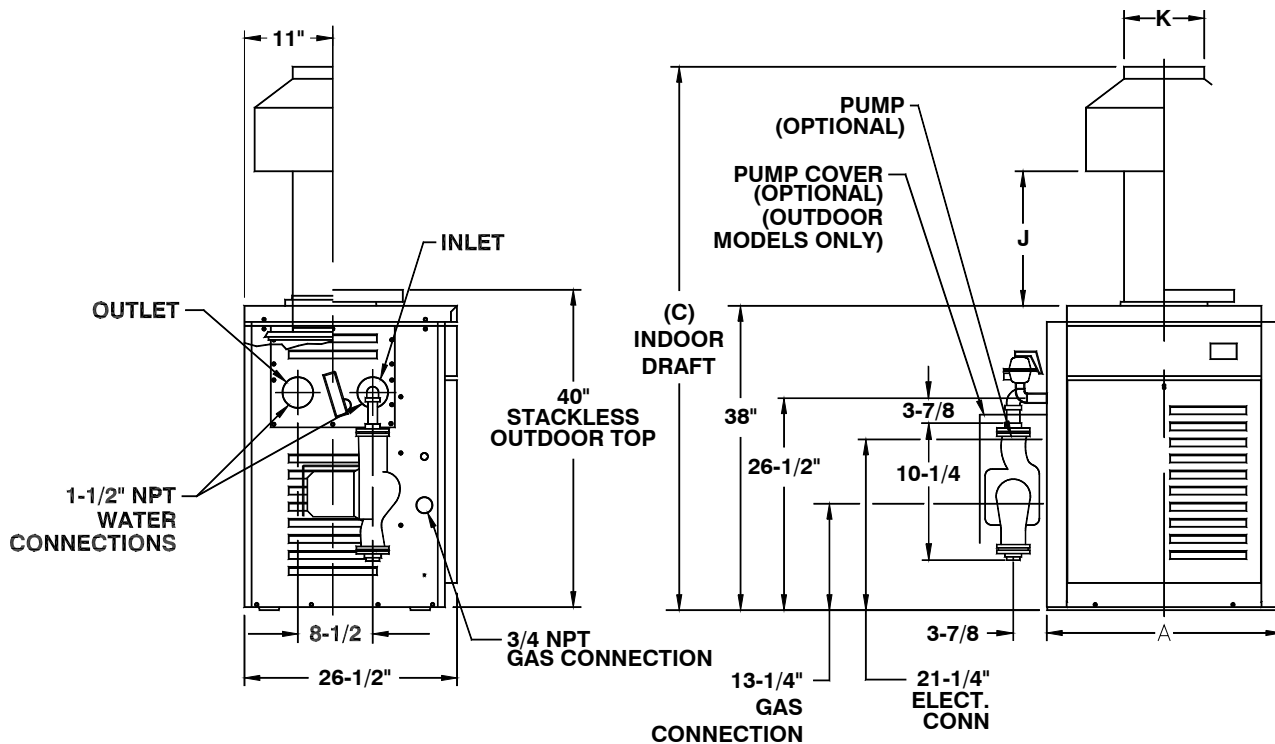
- \_\_\_\_\_
- \_\_\_\_\_



**Raypak®**  
 A Rheem® Company

# Raytherm - Type H Hydronic Heating Boilers - Indoor

Model \_\_\_\_\_



Model No.	MBTU Input	MBTU Output	AFUE* (%)	Dimensions (Inches)				Shipping Weight (Lbs.) – Approx.	
				Width A	Height C	J	Flue Dia. K	No Pump	w/ Pump
H-182	181	148	82.6	18-1/4	62-5/8	12-1/16	6	191	221
H-260	264	216	82.7	22-3/8	62-7/8	11-1/8	7	214	244
H-330	334	274	N/A	25-3/4	63-3/4	10-3/4	8	234	264
H-400	399	327	N/A	29-1/4	65-3/8	12-1/2	9	253	283

\* With Vent Damper

NOTE: Ratings shown are for elevations up to 2,000 feet. For elevations over 2,000, reduce ratings at the rate of 4% for each 1,000 feet above sea level.

### BOILER RATE OF FLOW AND PRESSURE DROP

Model No.	10° ΔT		20° ΔT		30° ΔT	
	GPM	ΔP FT	GPM	ΔP FT	GPM	ΔP FT
H-182	30	4.2	N/A	N/A	N/A	N/A
H-260	43	8.5	22	2.2	N/A	N/A
H-330	N/A	N/A	27	3.4	N/A	N/A
H-400	N/A	N/A	33	5.2	22	2.3

N/A – Not Applicable

## Free Manuals Download Website

<http://myh66.com>

<http://usermanuals.us>

<http://www.somanuals.com>

<http://www.4manuals.cc>

<http://www.manual-lib.com>

<http://www.404manual.com>

<http://www.luxmanual.com>

<http://aubethermostatmanual.com>

Golf course search by state

<http://golfingnear.com>

Email search by domain

<http://emailbydomain.com>

Auto manuals search

<http://auto.somanuals.com>

TV manuals search

<http://tv.somanuals.com>